



US00D349294S

# United States Patent [19]

[11] Patent Number: Des. 349,294

Nix et al.

[45] Date of Patent: \*\* Aug. 2, 1994

## [54] HAND OPERATED STRAPPING TOOL

[75] Inventors: **Robert J. Nix**, Algonquin; **Charles Pycha**, Chicago, both of Ill.

[73] Assignee: **Signode Corporation**, Glenview, Ill.

[\*\*] Term: **14 Years**

[21] Appl. No.: **877,157**

[22] Filed: **May 1, 1992**

[52] U.S. Cl. .... **D15/145**

[58] Field of Search ..... D8/49; 53/375.9, 582; 140/93.4; 156/73.5, 73.6, 157, 268, 361, 502, 527, 532, 580; 254/218; D15/145, 66-69

### [56] References Cited

#### U.S. PATENT DOCUMENTS

3,650,301	3/1972	Karass .....	140/93.4
3,944,460	3/1976	Kacr .....	53/582 x
4,015,643	4/1977	Cheung .....	140/93.4

## OTHER PUBLICATIONS

Signode Corp., Signode Model ASD Combination Strapping Tool, p. 69.

*Primary Examiner*—Alan P. Douglas

*Assistant Examiner*—A. D. Davis

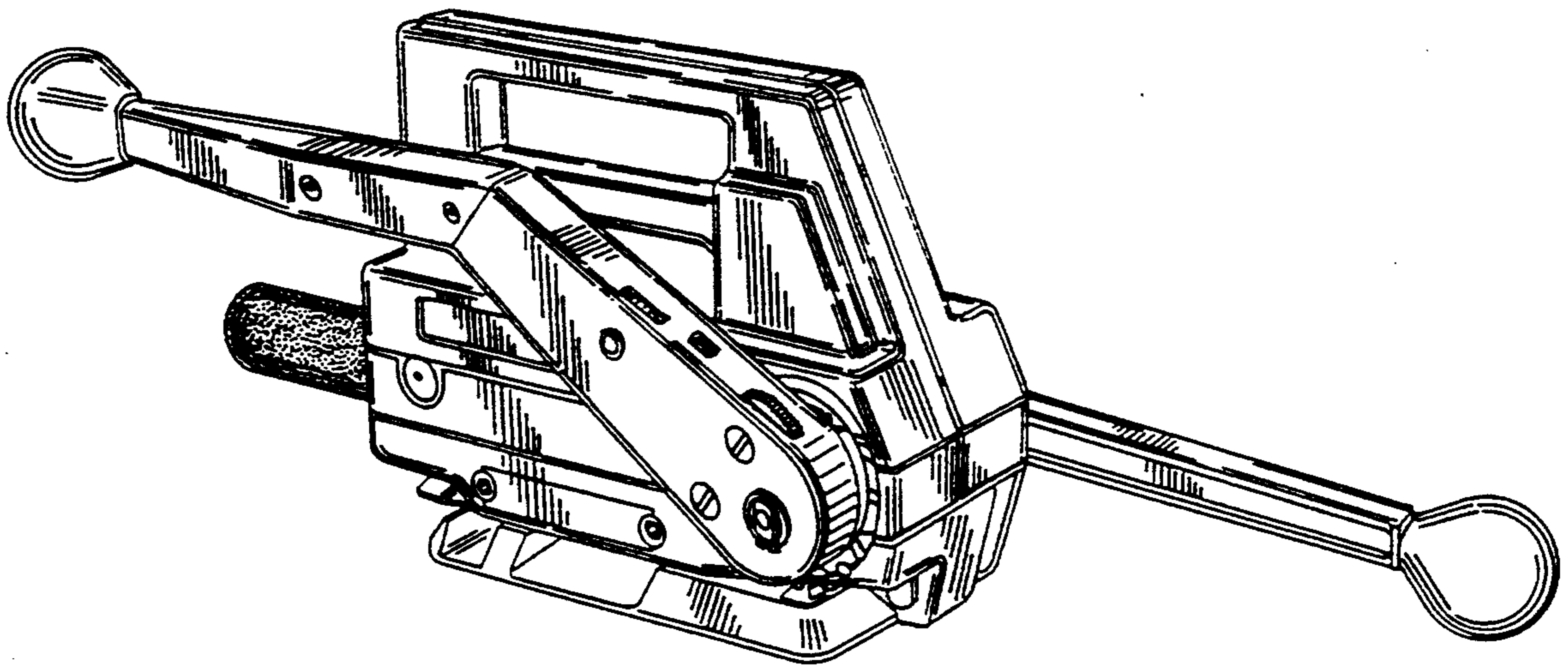
*Attorney, Agent, or Firm*—T. W. Buckman; D. J. Breh

## [57] CLAIM

The ornamental design for a hand operated strapping tool, as shown and described.

## DESCRIPTION

FIG. 1 is a front and left side perspective view of a hand operated strapping tool showing our new design; FIG. 2 is a left side elevational view thereof; FIG. 3 is a right side elevational view thereof; FIG. 4 is a front elevational view thereof; FIG. 5 is a rear elevational view thereof; FIG. 6 is a top plan view thereof; and, FIG. 7 is a bottom plan view thereof.



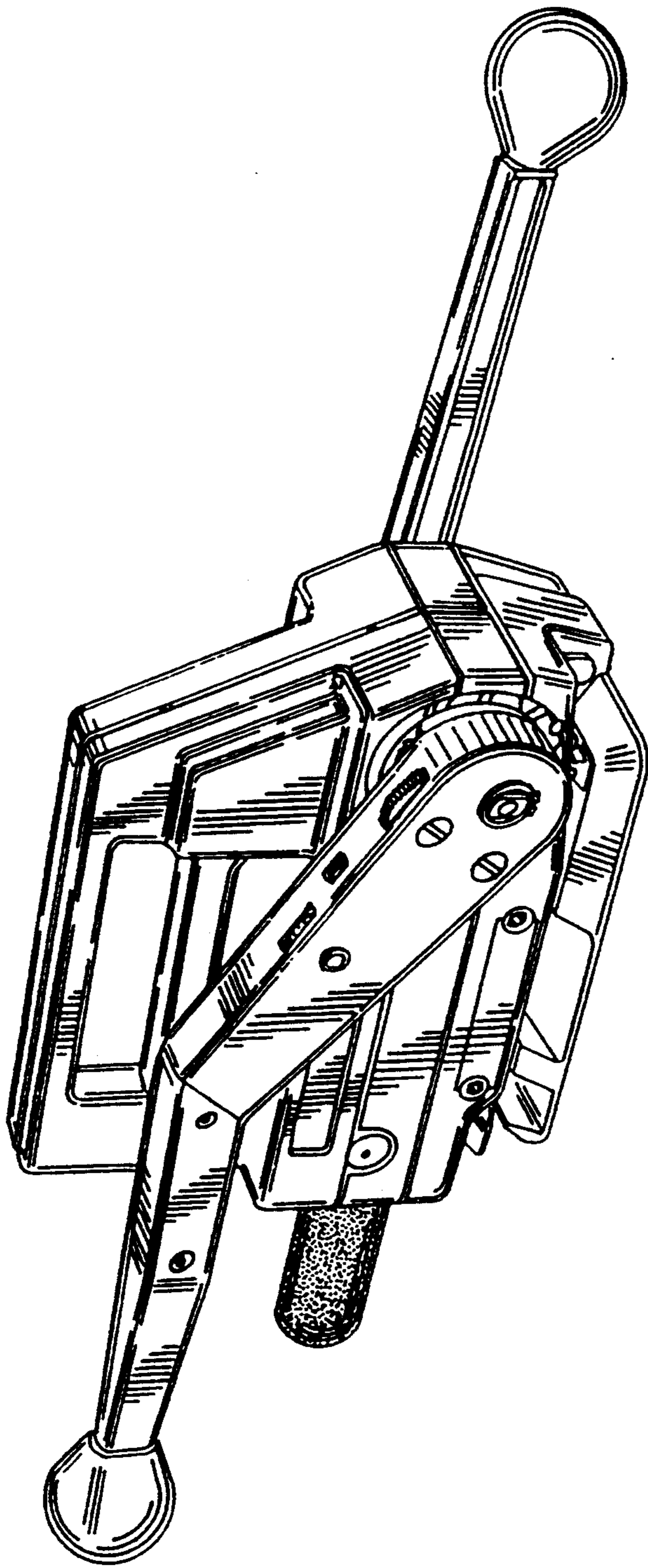


FIG. 1

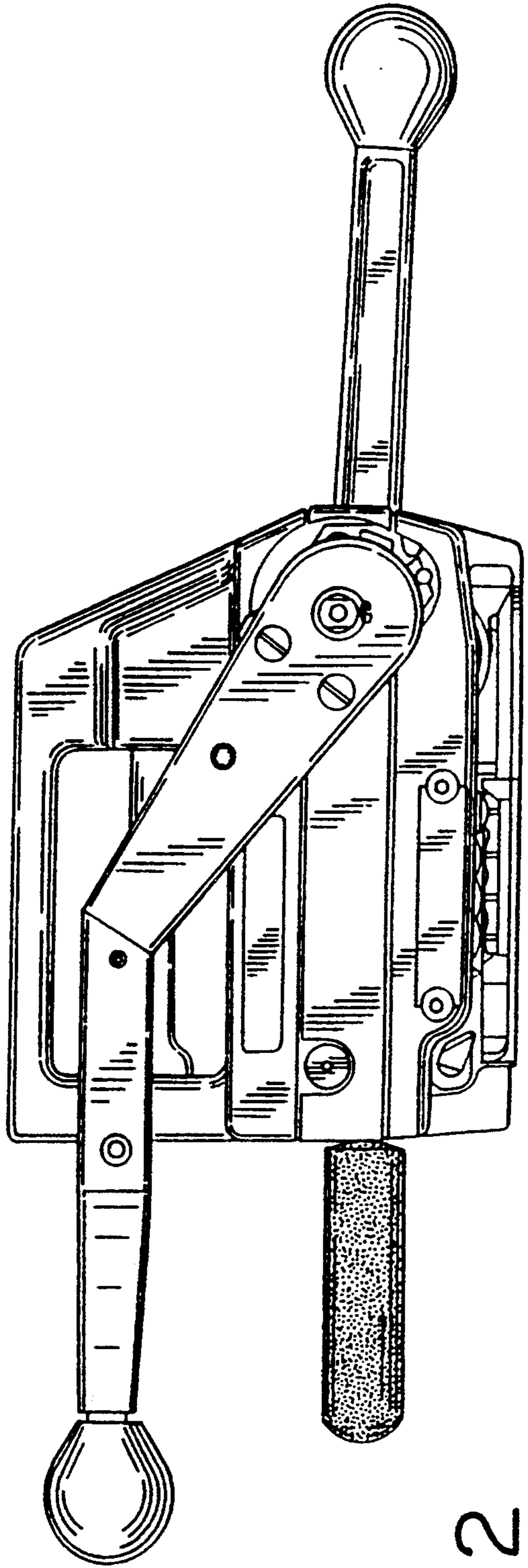


FIG. 2

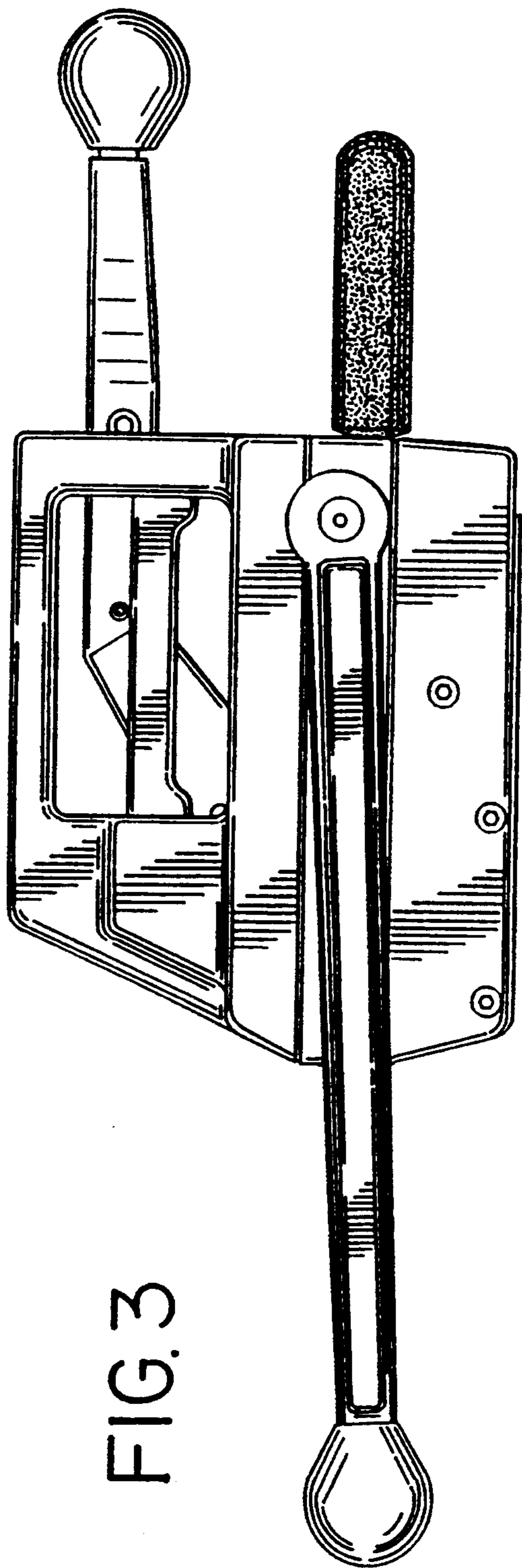


FIG. 3

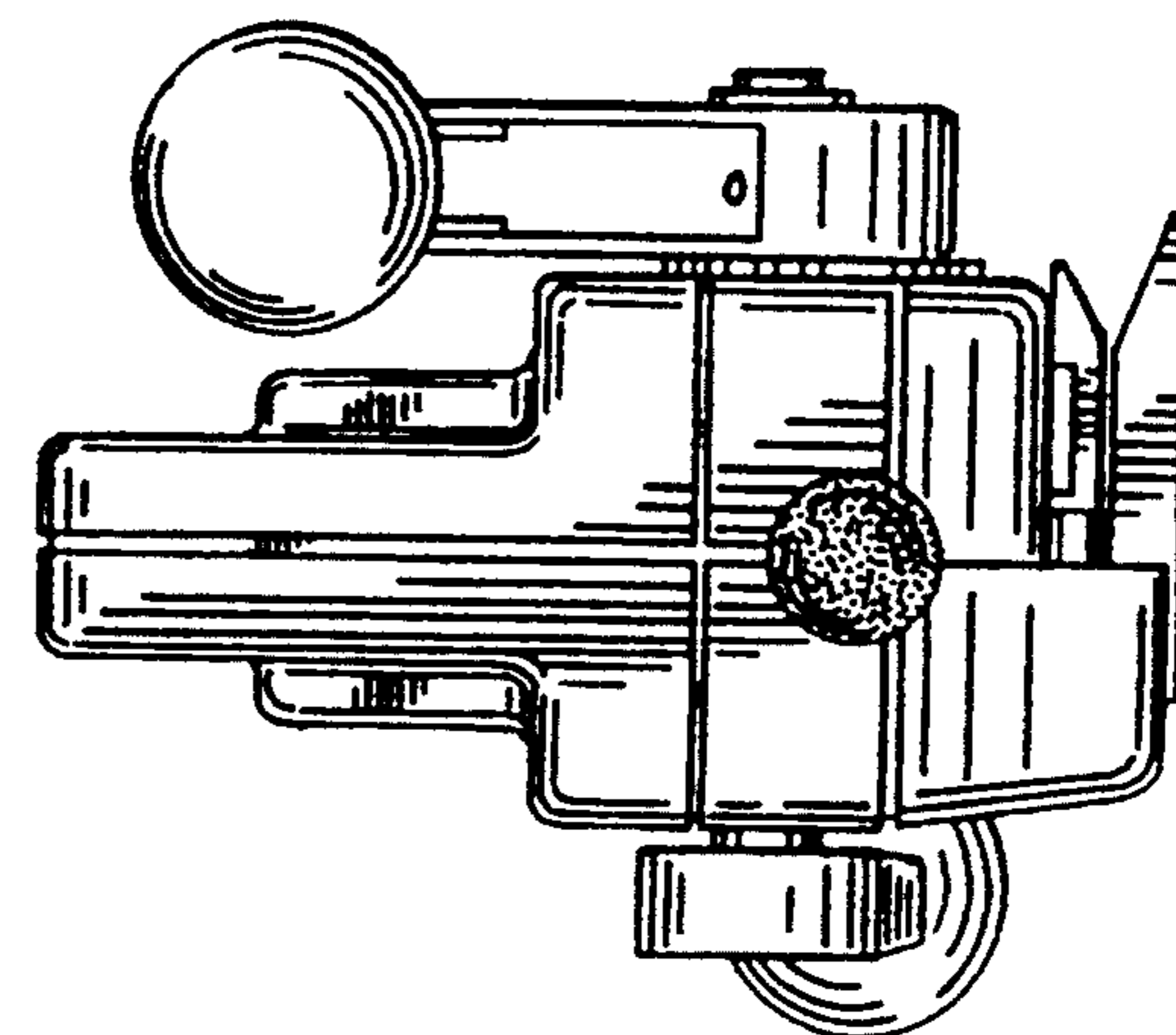


FIG. 4

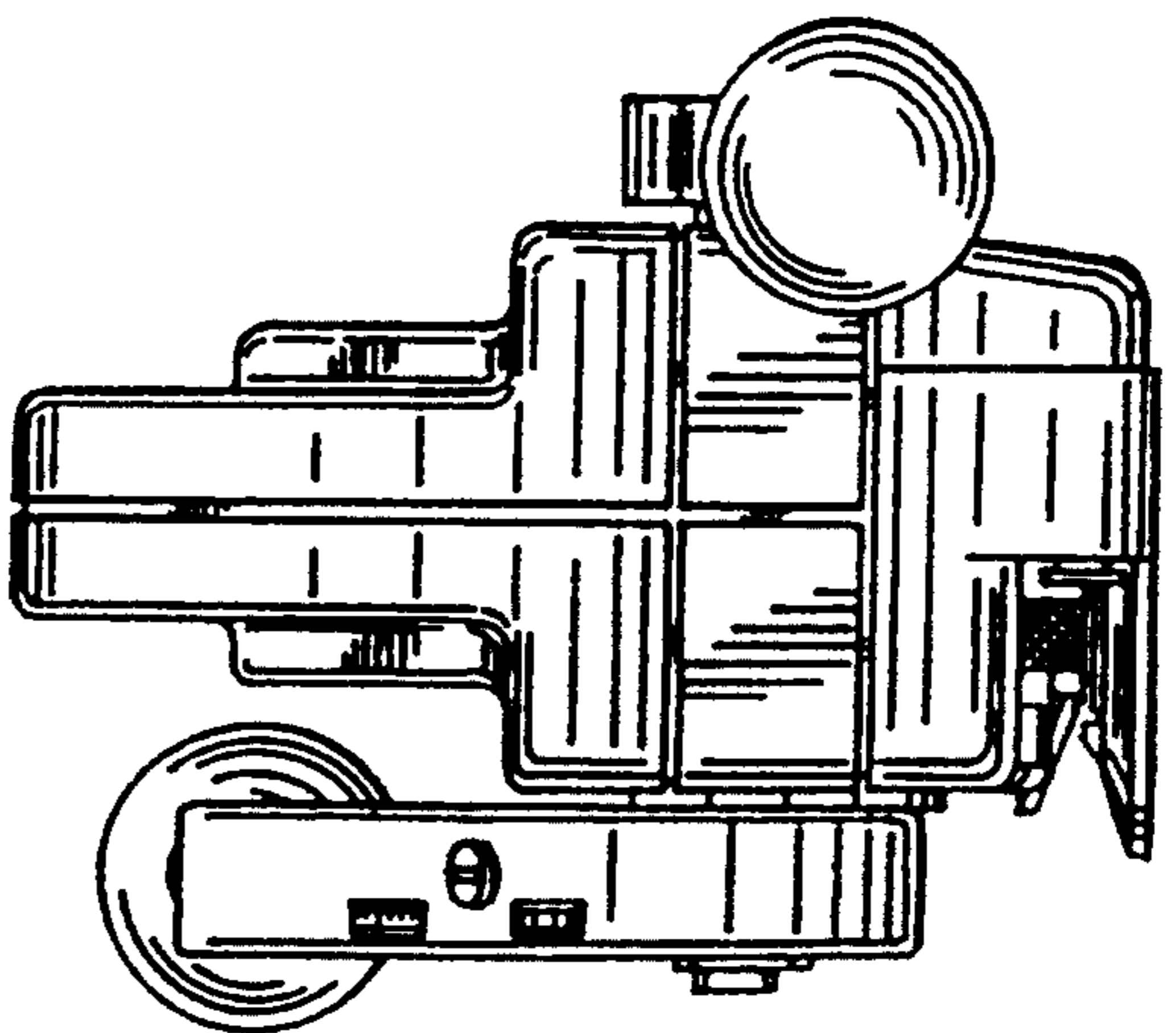


FIG. 5

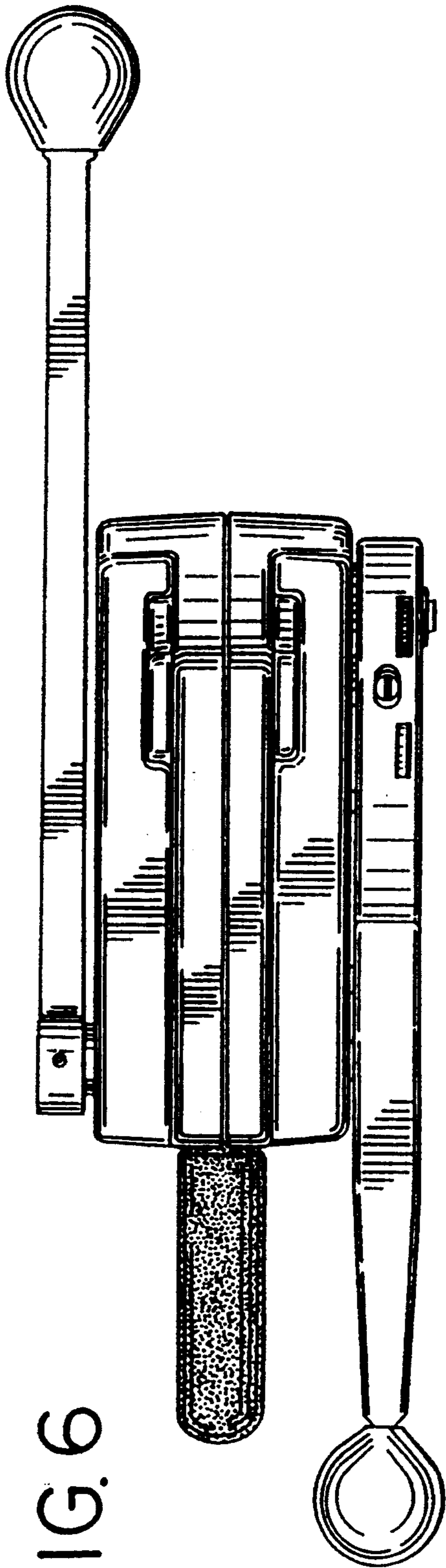


FIG. 6

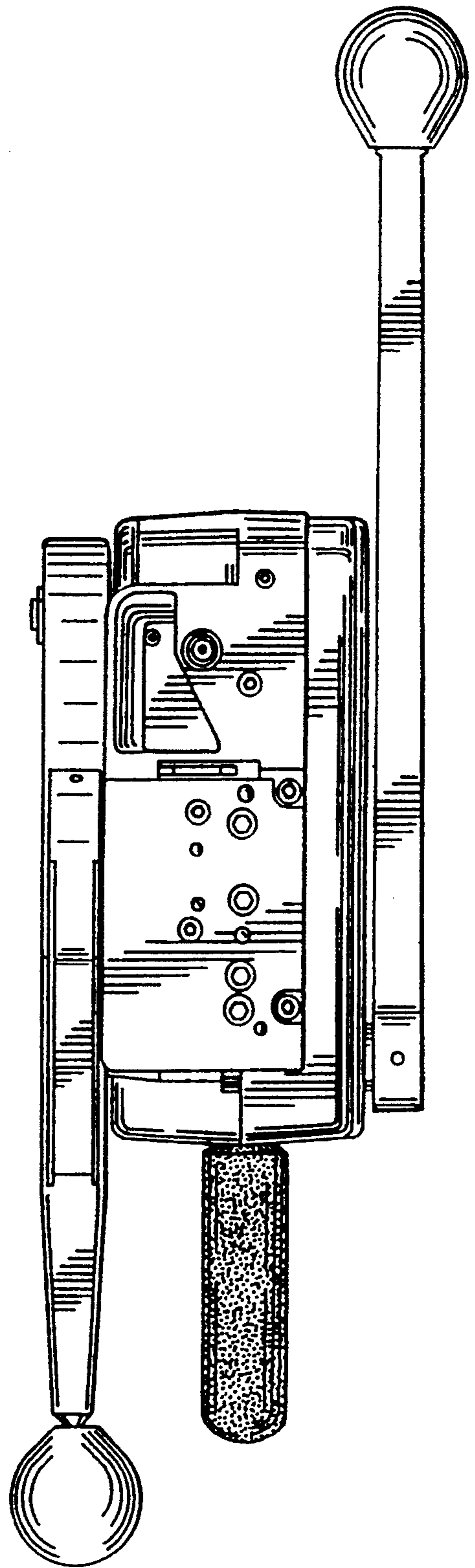


FIG. 7