



US00D349293S

# United States Patent [19]

[11] Patent Number: **Des. 349,293**

**Rhoton**

[45] Date of Patent: **\*\* Aug. 2, 1994**

[54] **ARMATURE TEST STAND**

[75] Inventor: **William L. Rhoton**, Briggsdale, Colo.

[73] Assignee: **Ironworks Manufacturing, Inc.**, Greeley, Colo.

[\*\*] Term: **14 Years**

[21] Appl. No.: **8,602**

[22] Filed: **May 19, 1993**

[52] U.S. Cl. .... **D15/130**

[58] Field of Search ..... 73/462, 473, 477; 82/48, 117, 150, 151, 903; 360/99.12, 98.08, 135; D15/130

[56] **References Cited**

**U.S. PATENT DOCUMENTS**

- D. 177,802 5/1956 Garvin ..... D15/130
- D. 309,741 8/1990 Archart et al. .... D15/130

- D. 338,475 8/1993 Wilson et al. .... D15/130
- 5,046,361 9/1991 Sandstrom ..... 73/473 X

*Primary Examiner*—Alan P. Douglas  
*Assistant Examiner*—Antoine D. Davis  
*Attorney, Agent, or Firm*—Dean P. Edmundson

[57] **CLAIM**

The ornamental design for an armature test stand, as shown and described.

**DESCRIPTION**

FIG. 1 is a perspective view of the armature test stand, showing my new design;  
 FIG. 2 is a front elevational view thereof, the rear being a mirror image of that shown;  
 FIG. 3 is a left side elevational view thereof;  
 FIG. 4 is a right side elevational view thereof;  
 FIG. 5 is a top plan view thereof; and,  
 FIG. 6 is a bottom plan view thereof.

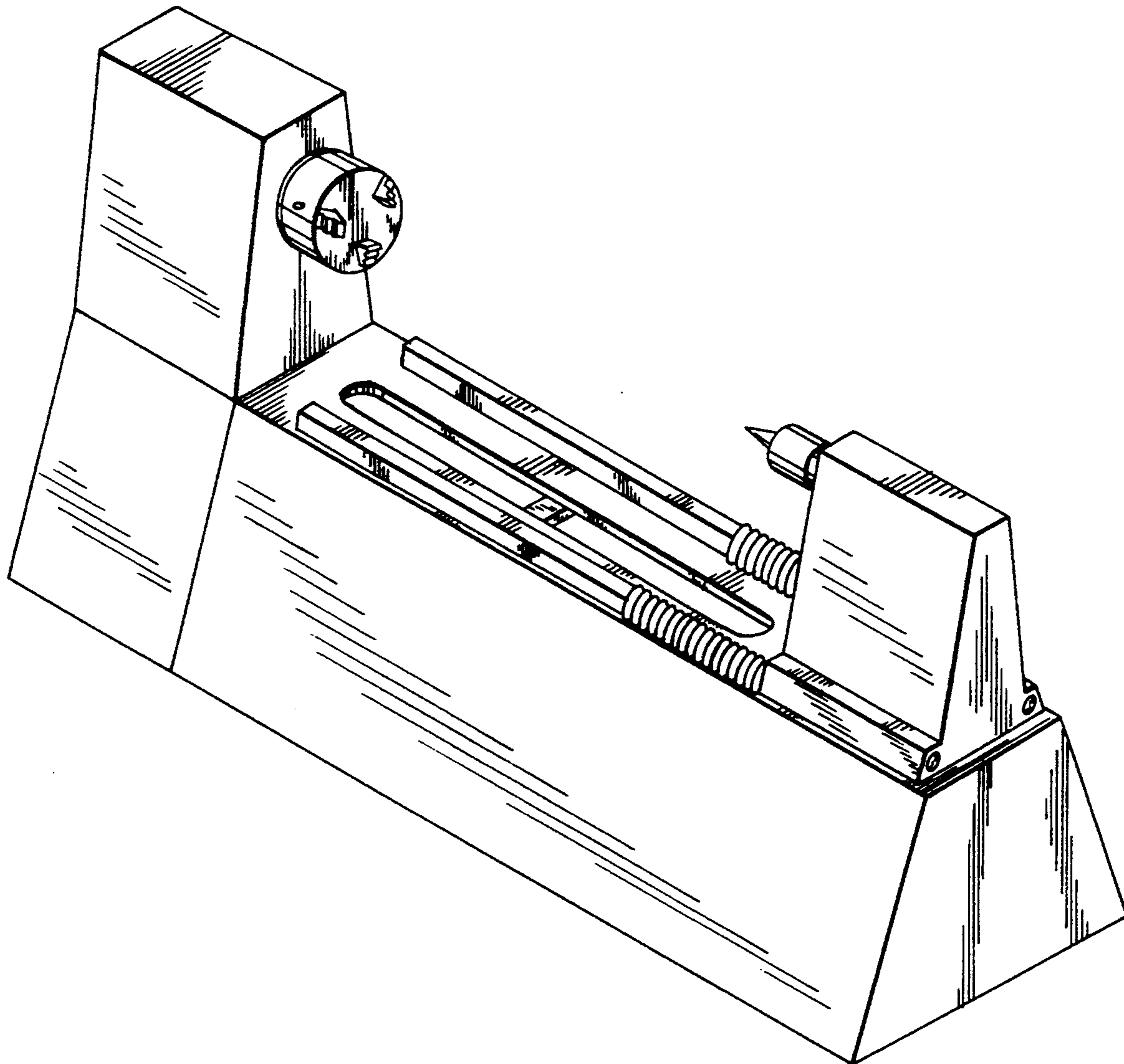


FIG. 1

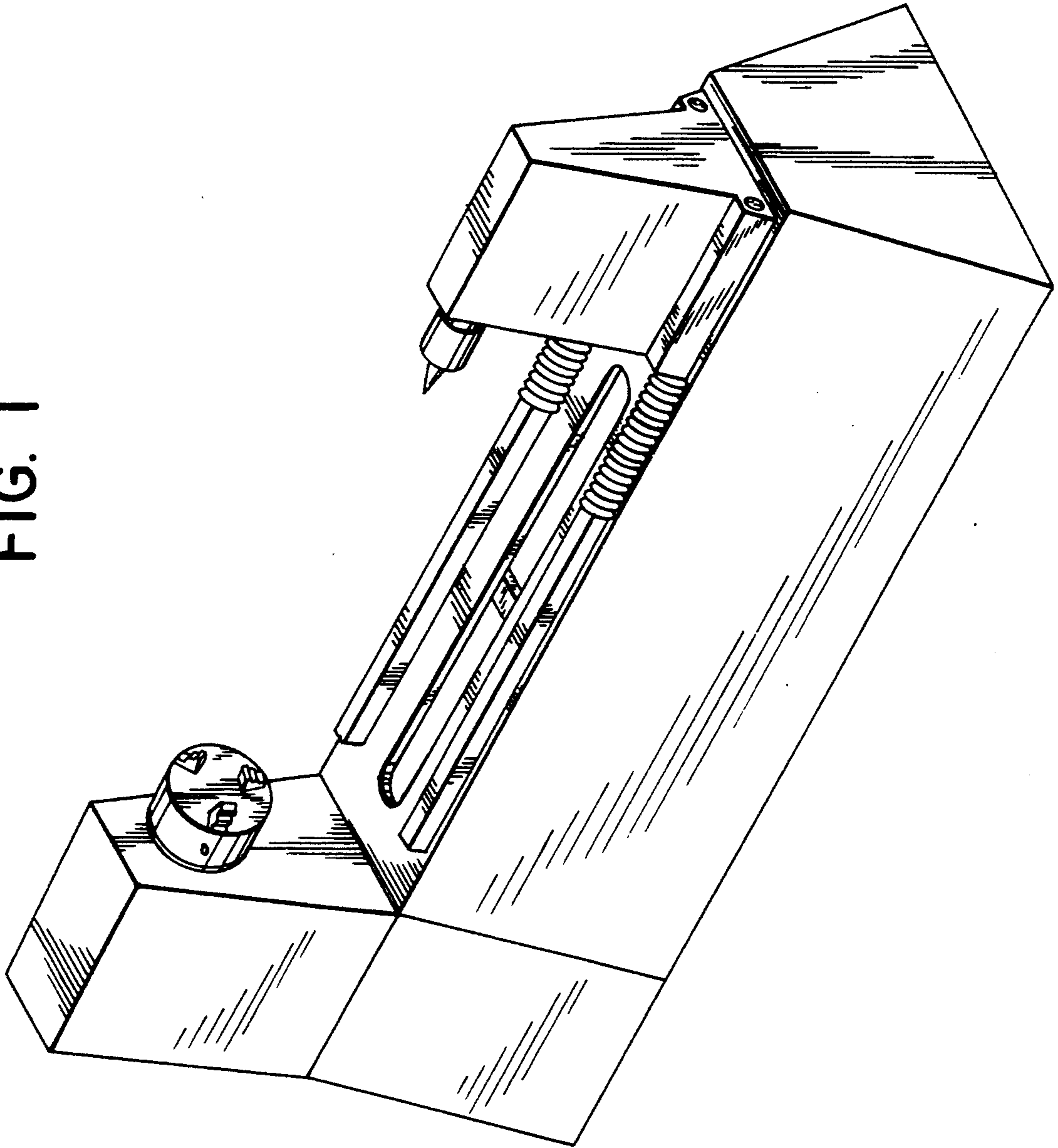


FIG. 2

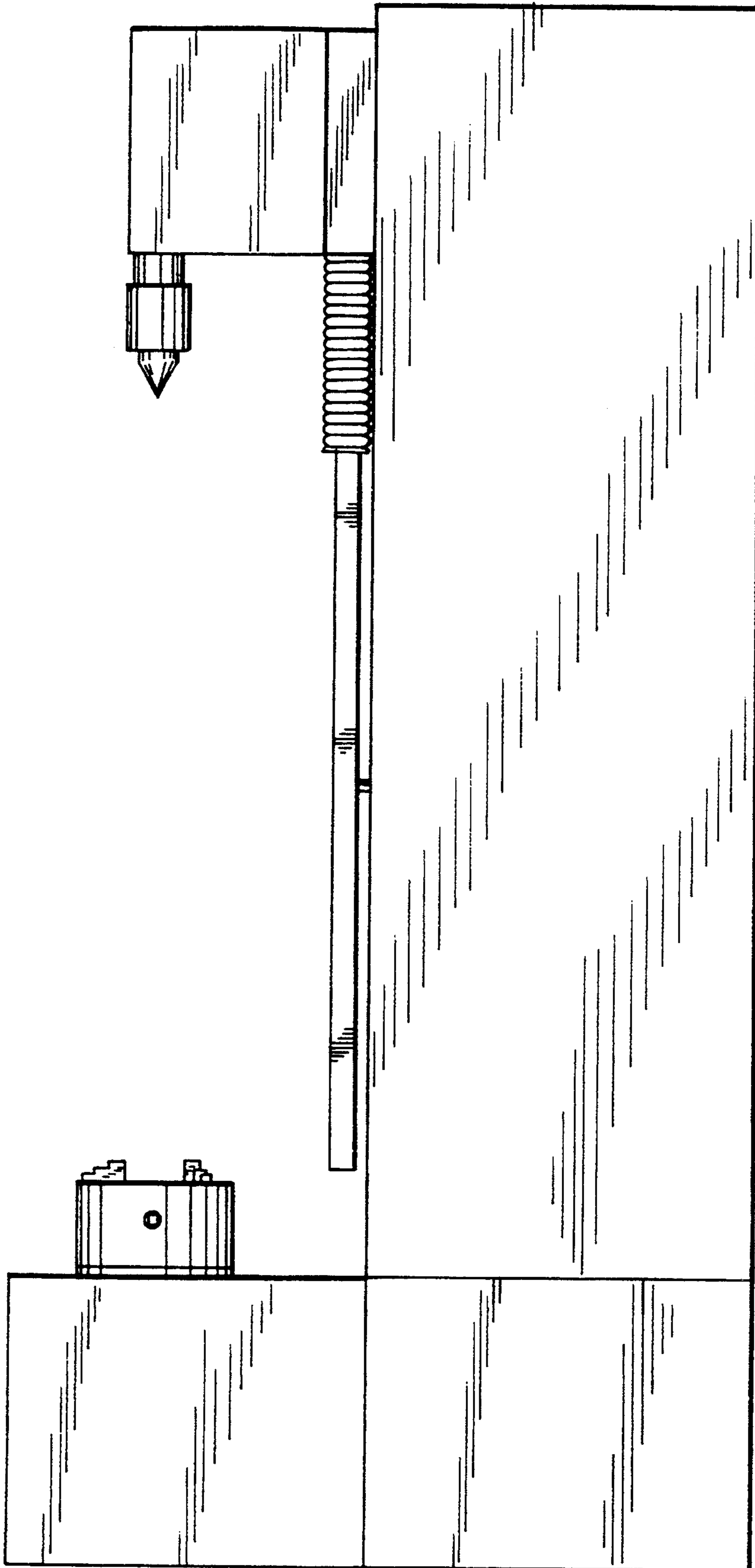


FIG. 3

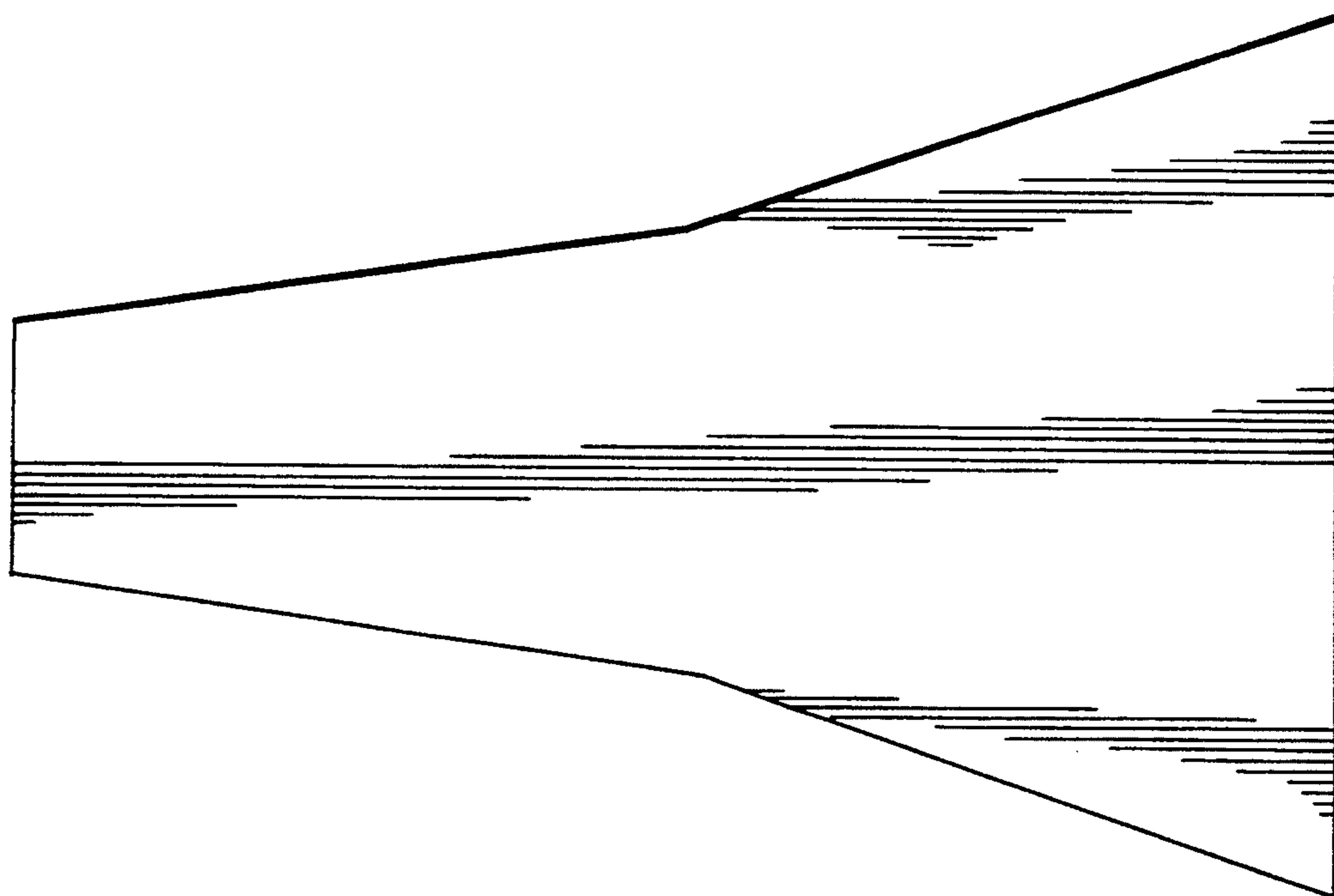


FIG. 4

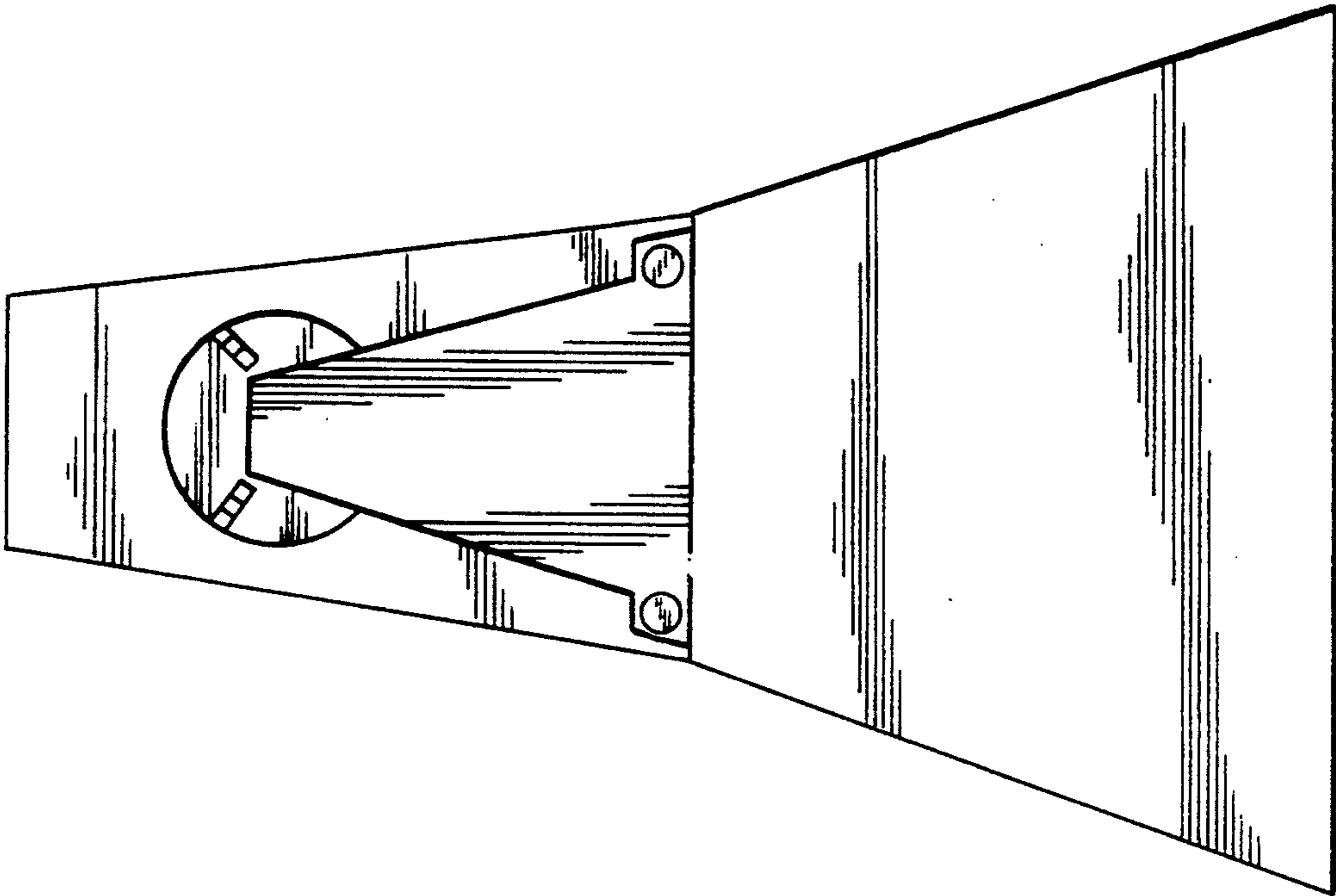


FIG. 5

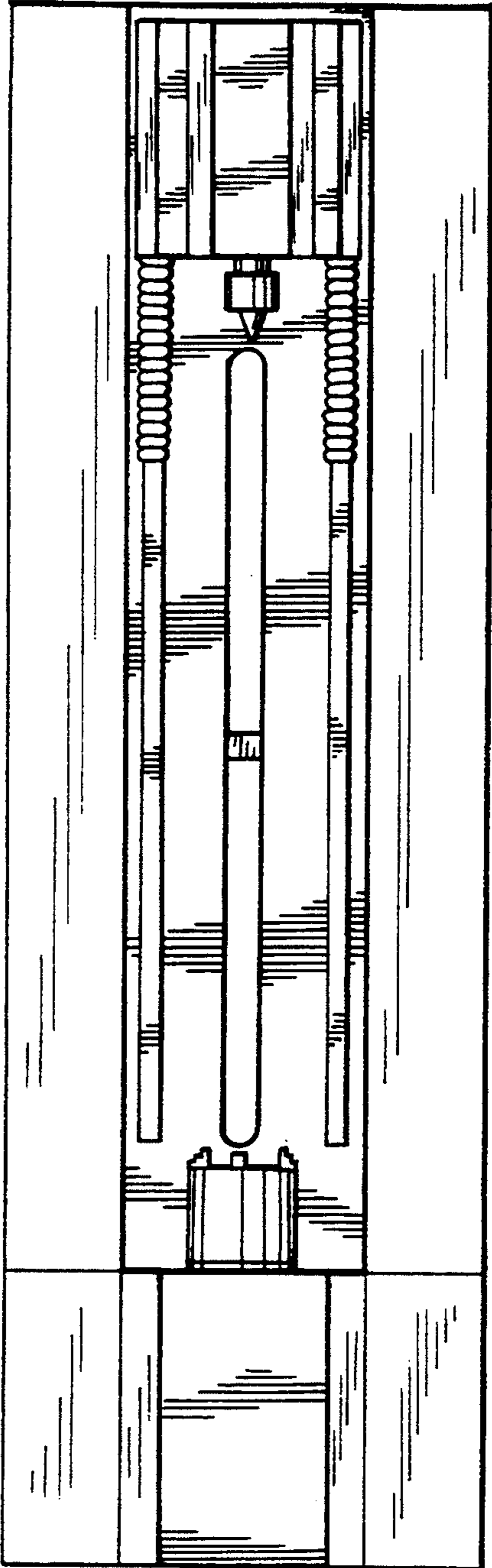


FIG. 6

