



US00D349292S

United States Patent [19] Chunn

[11] Patent Number: **Des. 349,292**

[45] Date of Patent: **** Aug. 2, 1994**

[54] **OSCILLATING SPINDLE SANDER**

4,821,457 4/1989 Ianuzzi 51/34 H

[75] Inventor: **Daniel A. Chunn**, Greenville, S.C.

Primary Examiner—Alan P. Douglas
Assistant Examiner—Antoine D. Davis
Attorney, Agent, or Firm—Brooks & Kushman

[73] Assignee: **Ryobi Motor Products Corp.**, Easley, S.C.

[**] Term: **14 Years**

[57] **CLAIM**

[21] Appl. No.: **6,709**

The ornamental design of an oscillating spindle sander, as shown and described.

[22] Filed: **Apr. 5, 1993**

[52] U.S. Cl. **D15/125**

[58] Field of Search 51/34 H, 102;
D15/124-126

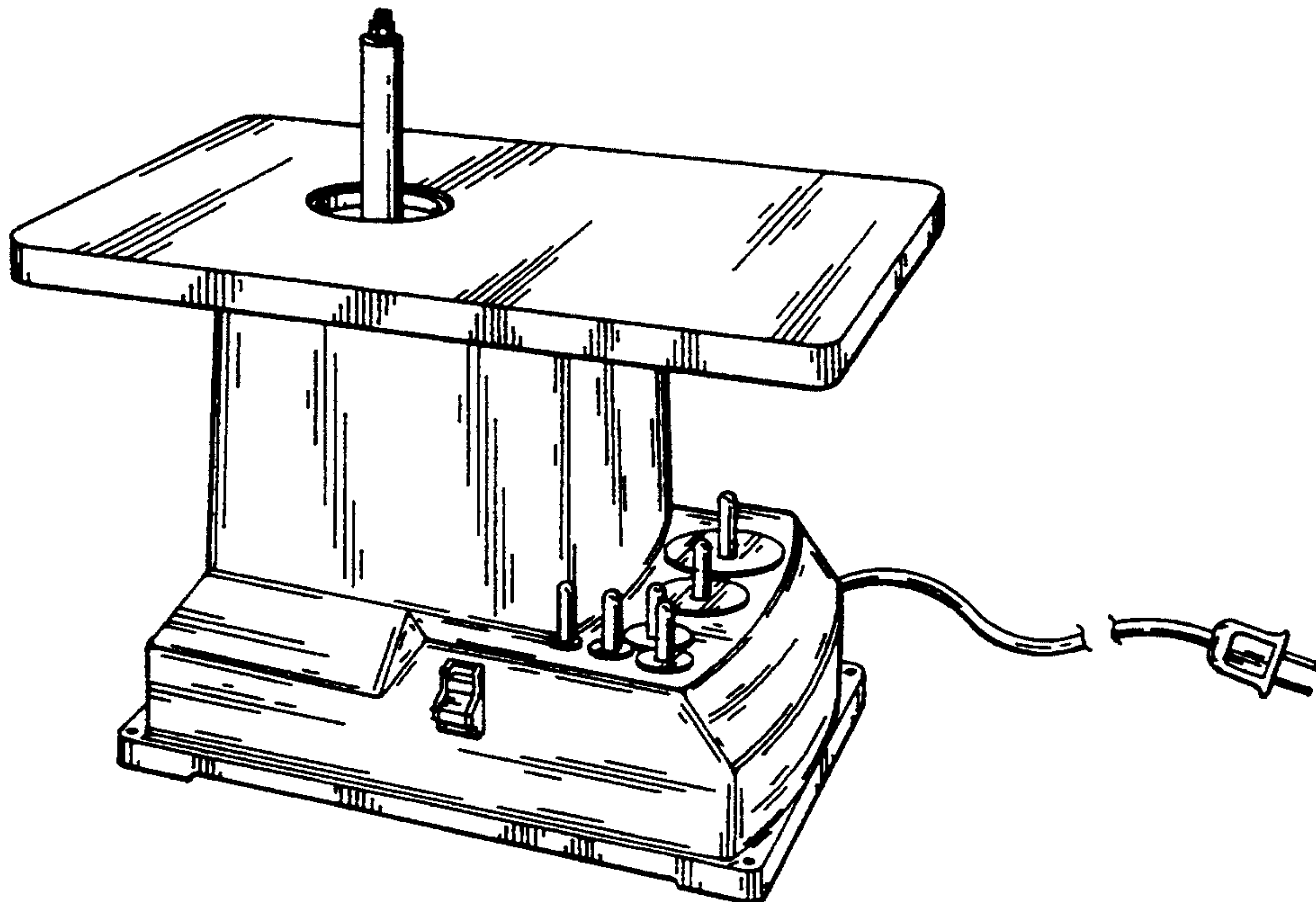
DESCRIPTION

[56] **References Cited**

U.S. PATENT DOCUMENTS

1,259,494 3/1918 Downer 51/34 H
3,418,758 12/1968 McEwan 51/34 H

FIG. 1 is a right front perspective view of an oscillating spindle sander showing my new design; FIG. 2 is a rear side elevational view; FIG. 3 is a right side elevational view; FIG. 4 is a front side elevational view; FIG. 5 is a bottom plan view; FIG. 6 is a left side elevational view; and, FIG. 7 is a top plan view.



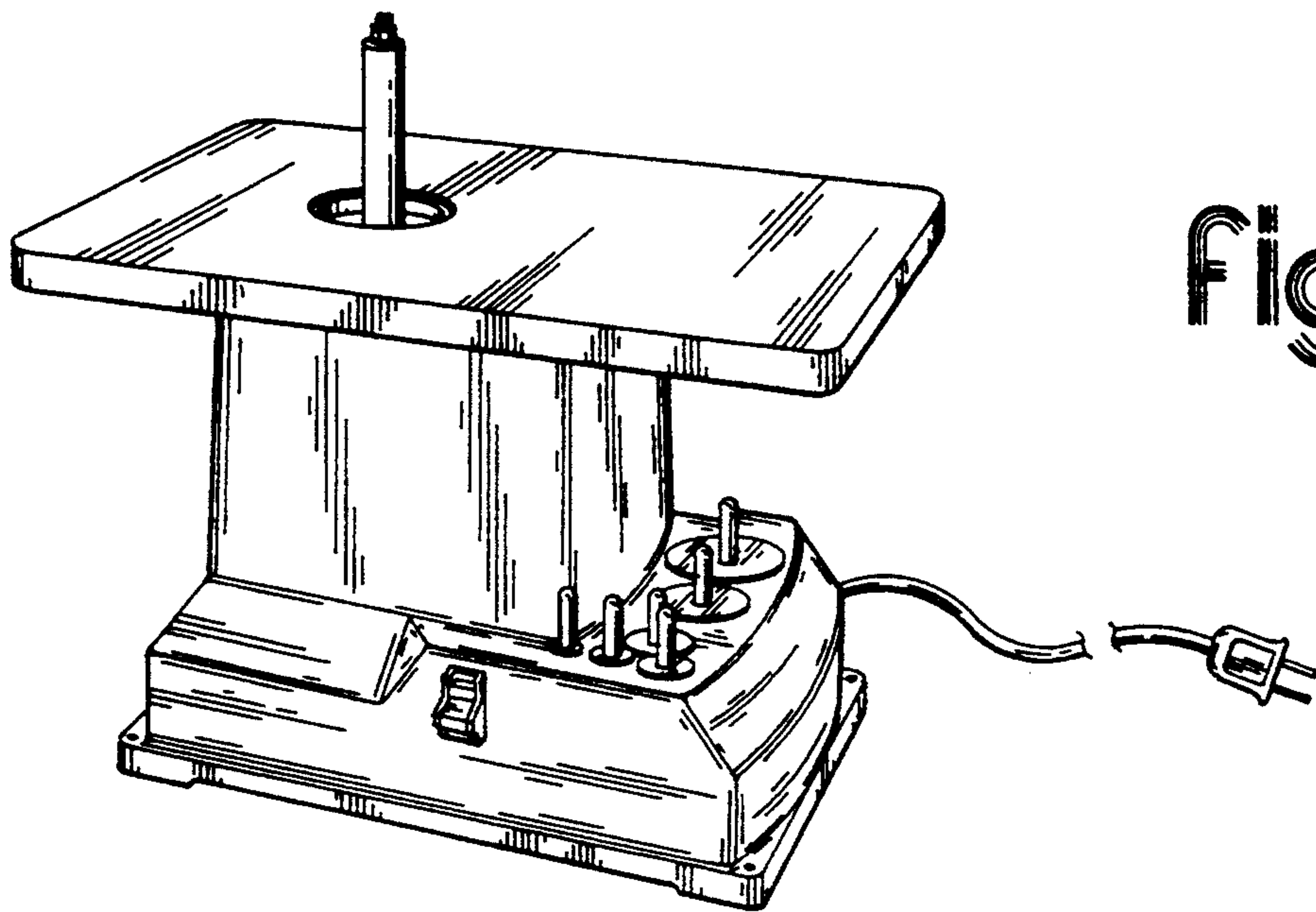


fig-1

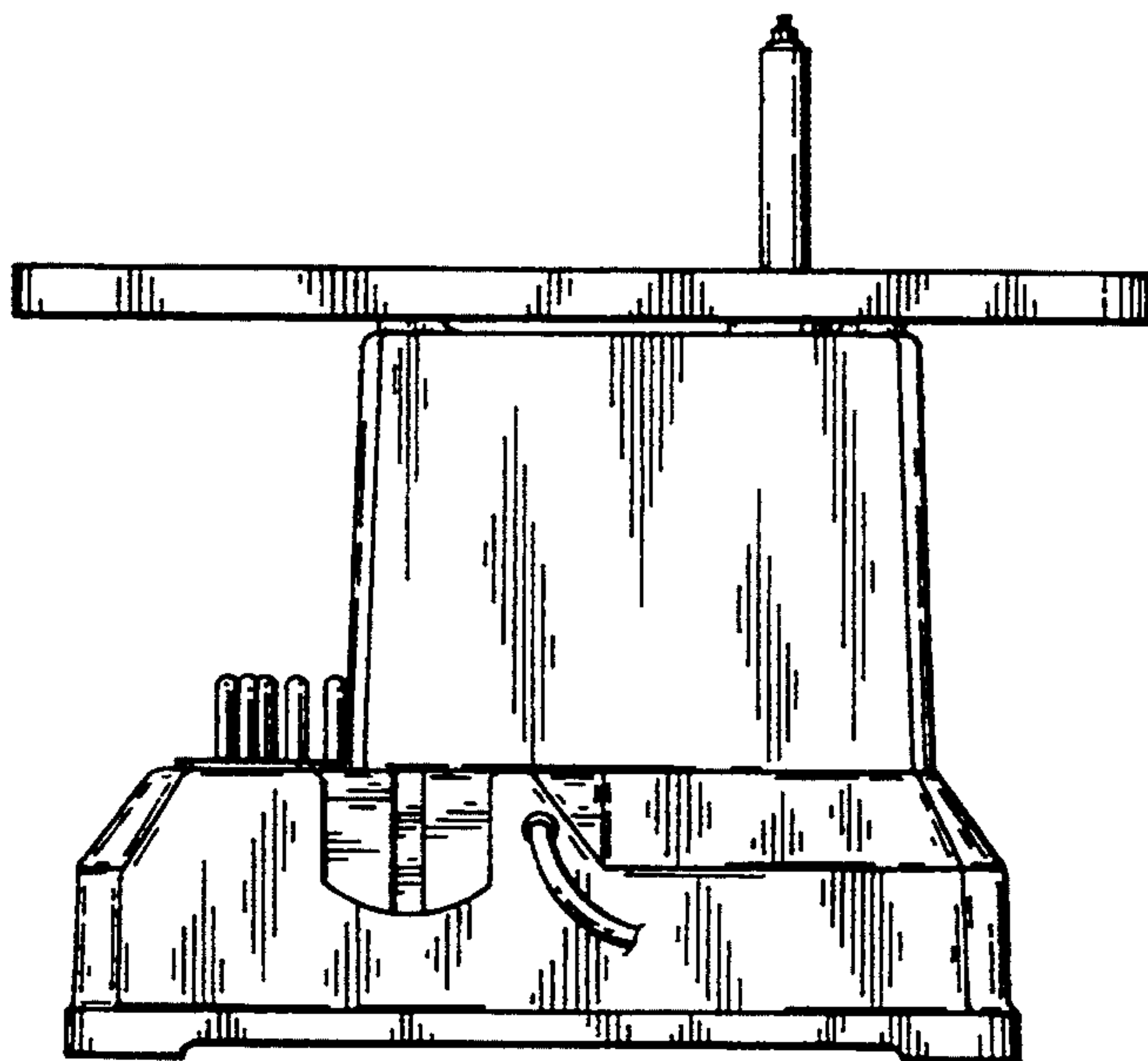


fig-2

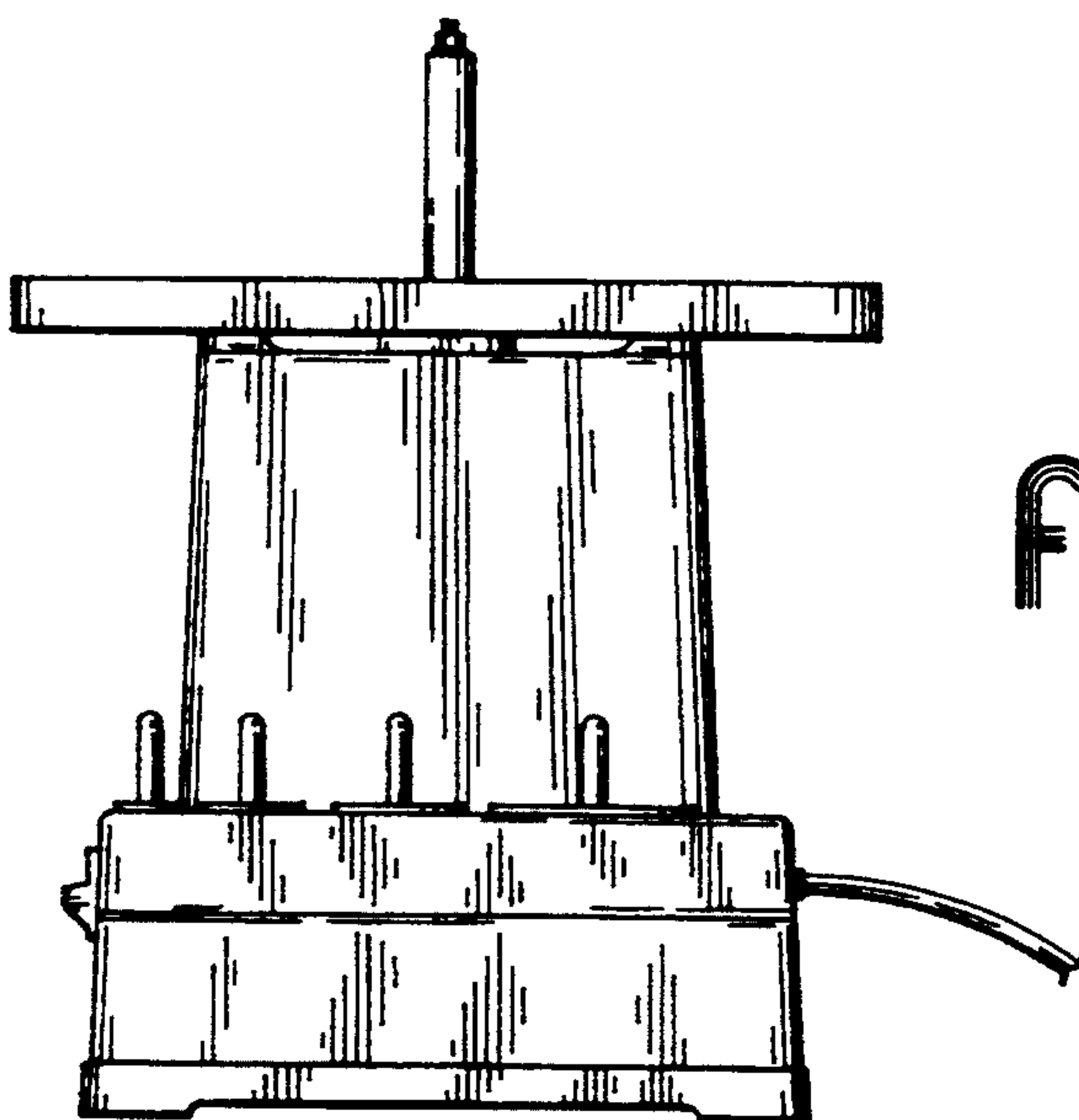


fig-3

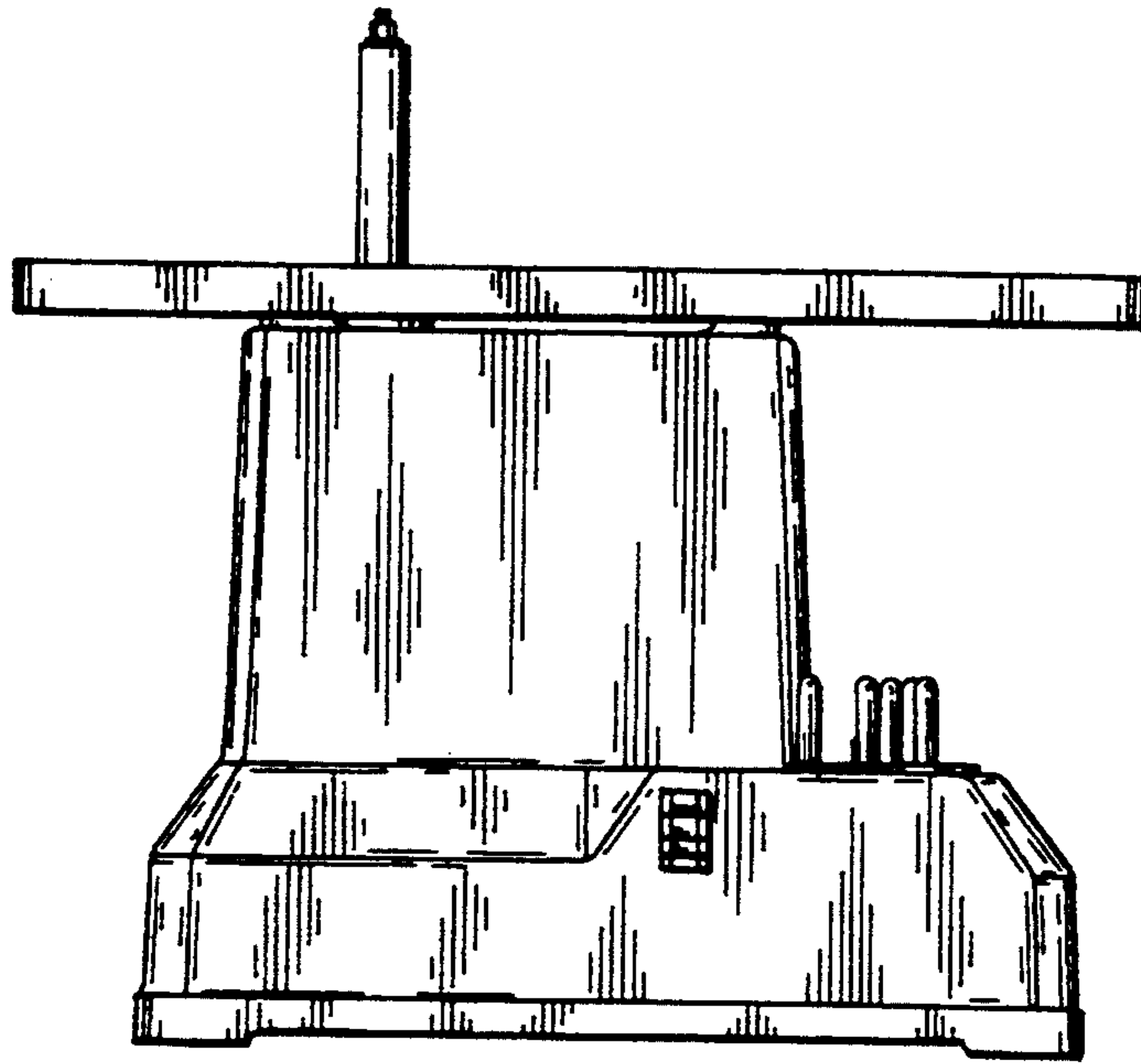


Fig-4

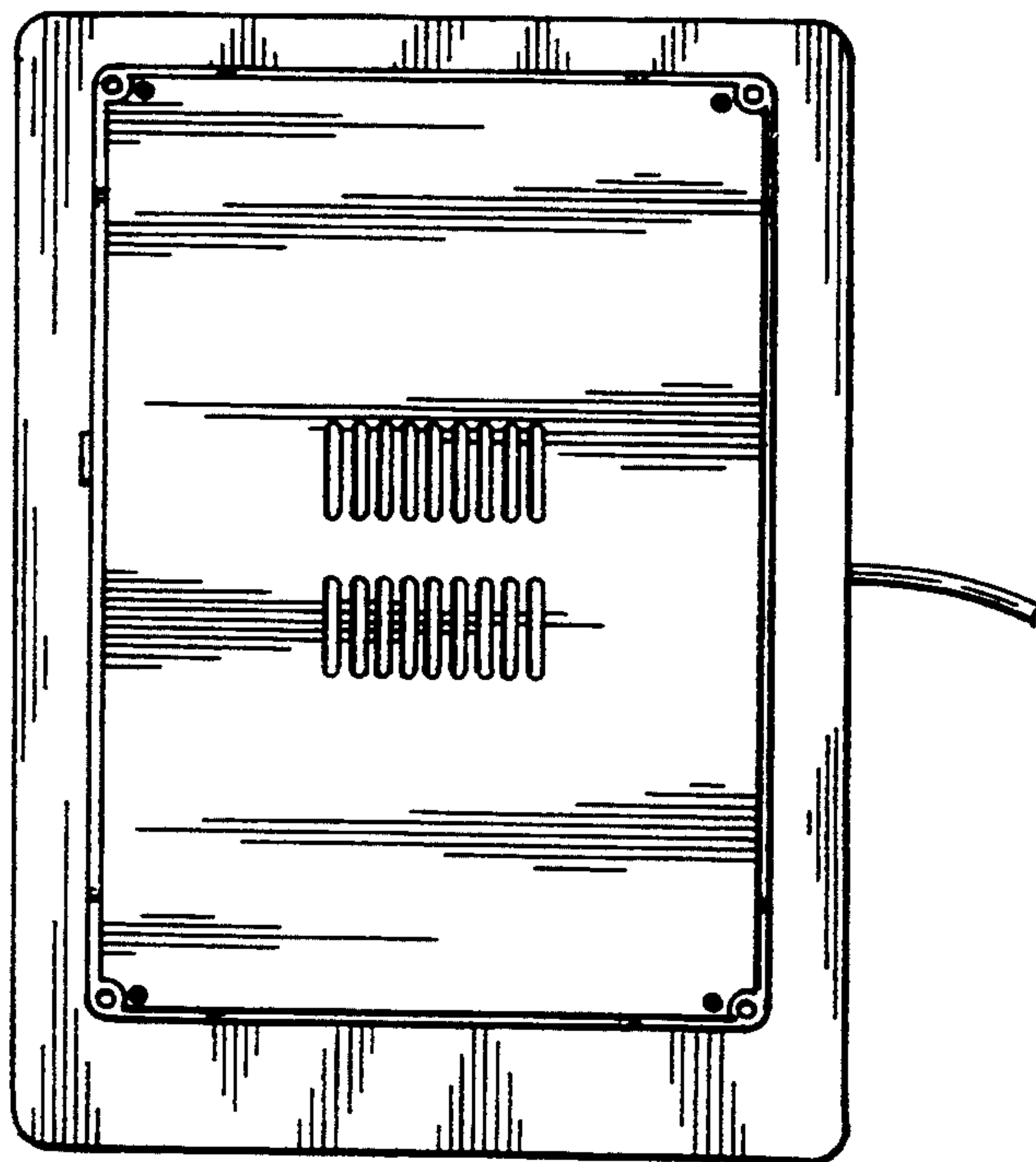


Fig-5

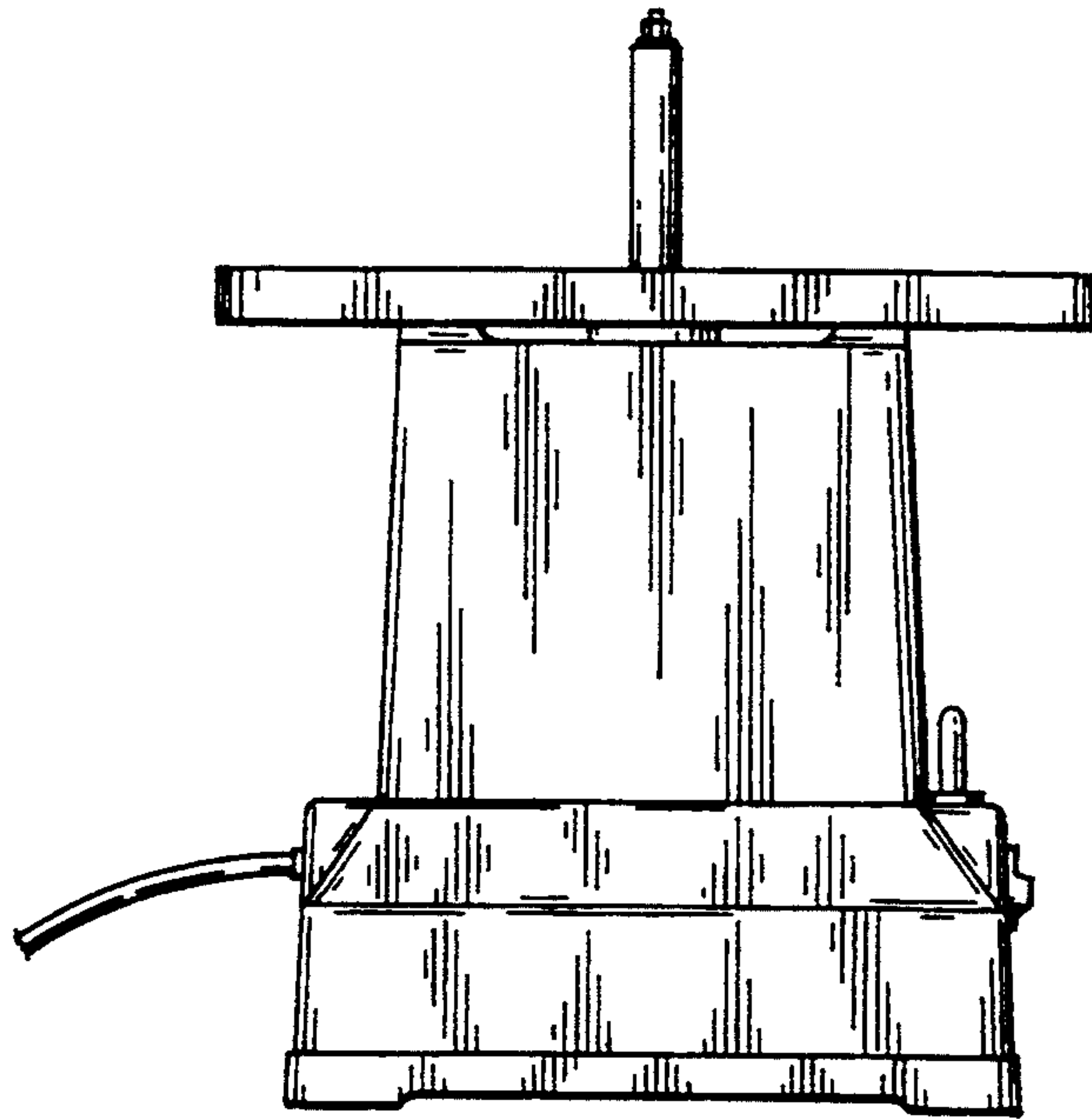


Fig-6

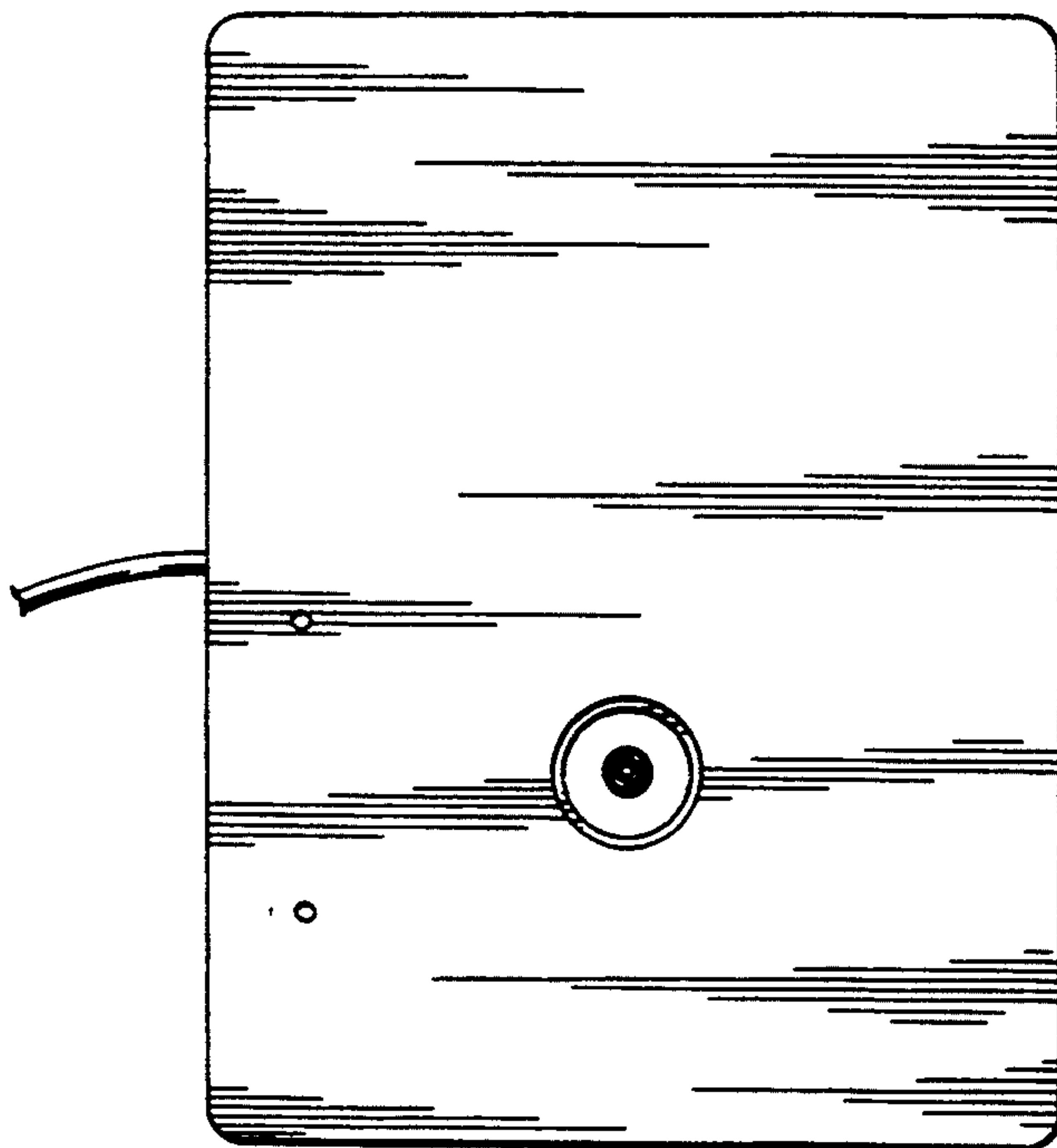


Fig-7