



US00D349291S

# United States Patent [19] Forbush

[11] Patent Number: **Des. 349,291**

[45] Date of Patent: **\*\* Aug. 2, 1994**

[54] **MULCHER BLADE**

[76] Inventor: **Edward Forbush**, 1741 Washington,  
Algonac, Mich. 48001

[\*\*] Term: **14 Years**

[21] Appl. No.: **867,610**

[22] Filed: **Apr. 13, 1992**

[52] U.S. Cl. .... **D15/17**

[58] Field of Search ..... 30/276, 347; 56/255,  
56/295, 320.1, 320.2; D8/8; D15/14-17

[56] **References Cited**

### U.S. PATENT DOCUMENTS

D. 174,375	4/1955	Cole	D15/17
D. 238,441	1/1976	Julian	D15/17
D. 264,675	6/1982	Inaga et al.	D8/8
D. 274,815	7/1984	Ehrler et al.	D15/17
4,083,166	4/1978	Haas	56/255
4,250,622	2/1981	Houle	56/295
4,738,090	4/1988	Nichter	56/295
4,967,546	11/1990	Forbush	56/255

5,033,259	7/1991	Adcock	56/255
5,056,605	10/1991	Bond et al.	30/247

### FOREIGN PATENT DOCUMENTS

0656086	8/1951	United Kingdom	30/347
---------	--------	----------------	--------

*Primary Examiner*—Bernard Ansher  
*Assistant Examiner*—Sandra Morris  
*Attorney, Agent, or Firm*—Krass & Young

### [57] CLAIM

The ornamental design for the mulcher blade, as shown and described.

### DESCRIPTION

FIG. 1 is a perspective view of the mulcher blade of the present invention showing my new design;  
FIG. 2 is a side elevational view of the mulcher blade of FIG. 1;  
FIG. 3 is a top plan view of the mulcher blade of FIG. 1; and,  
FIG. 4 is a bottom plan view of the mulcher blade of FIG. 1.

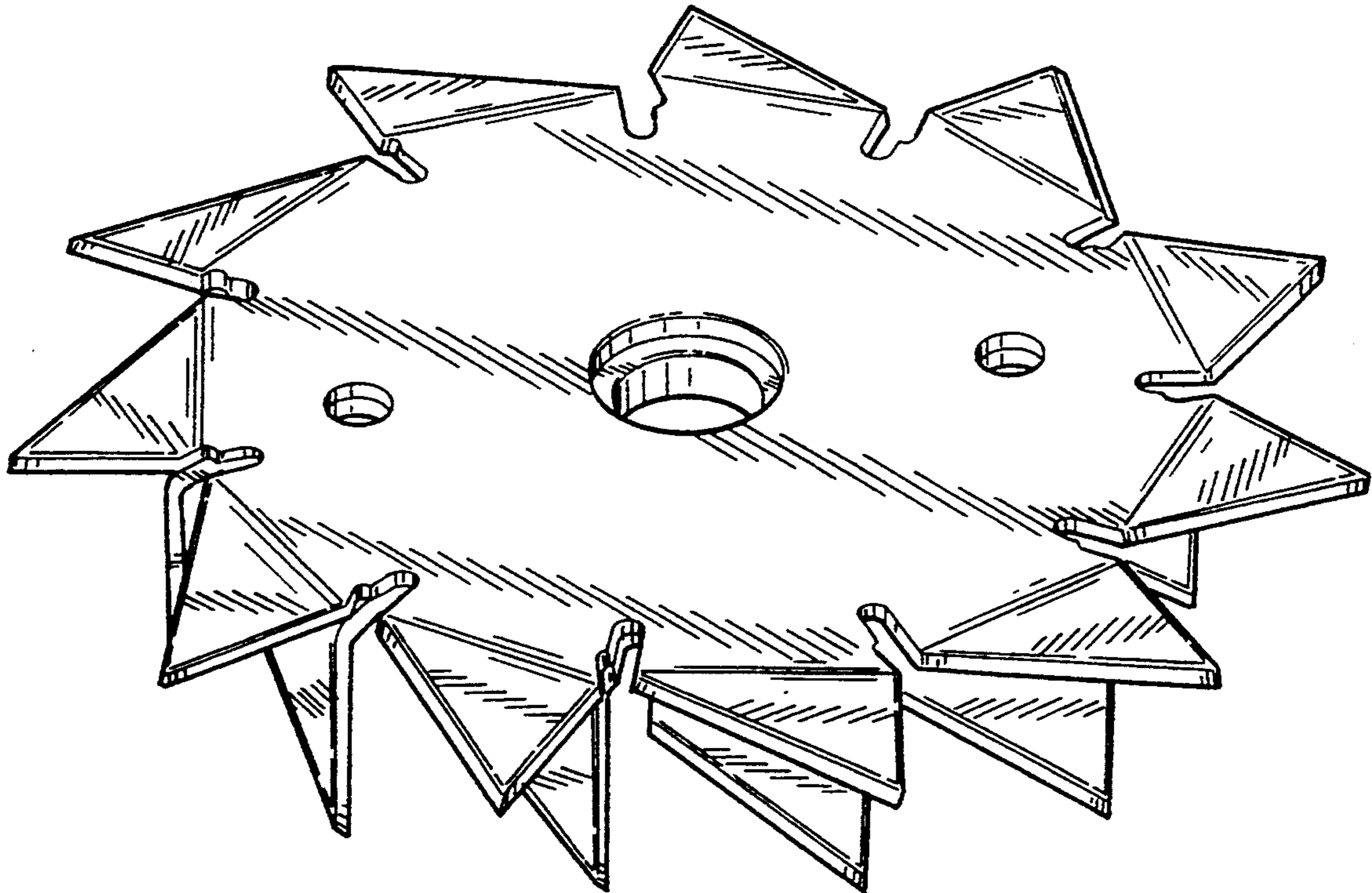


FIG-1

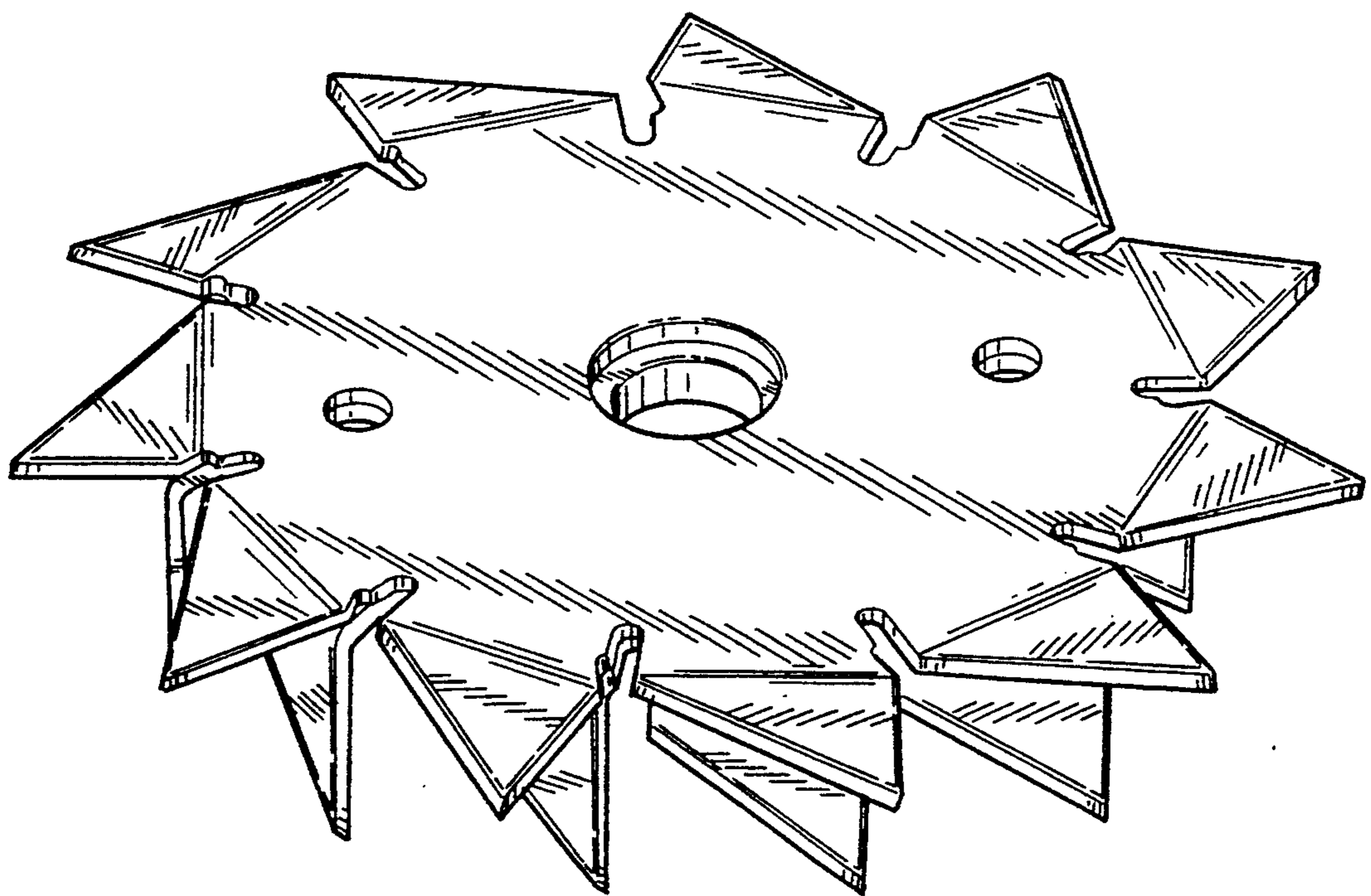


FIG-2

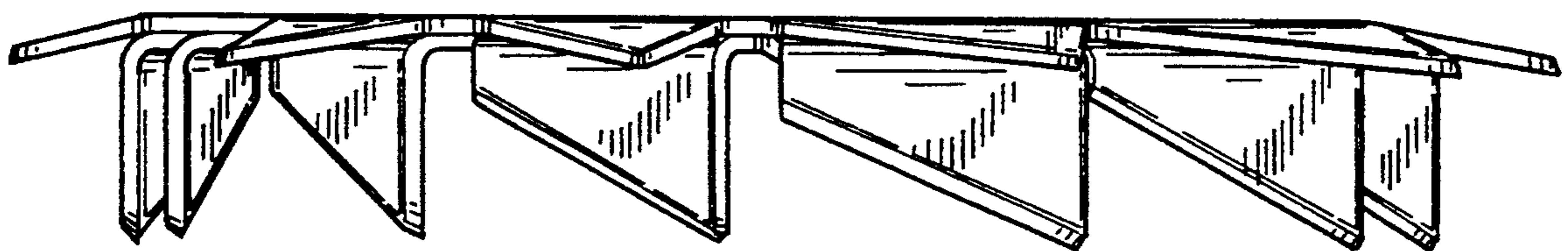




FIG-3

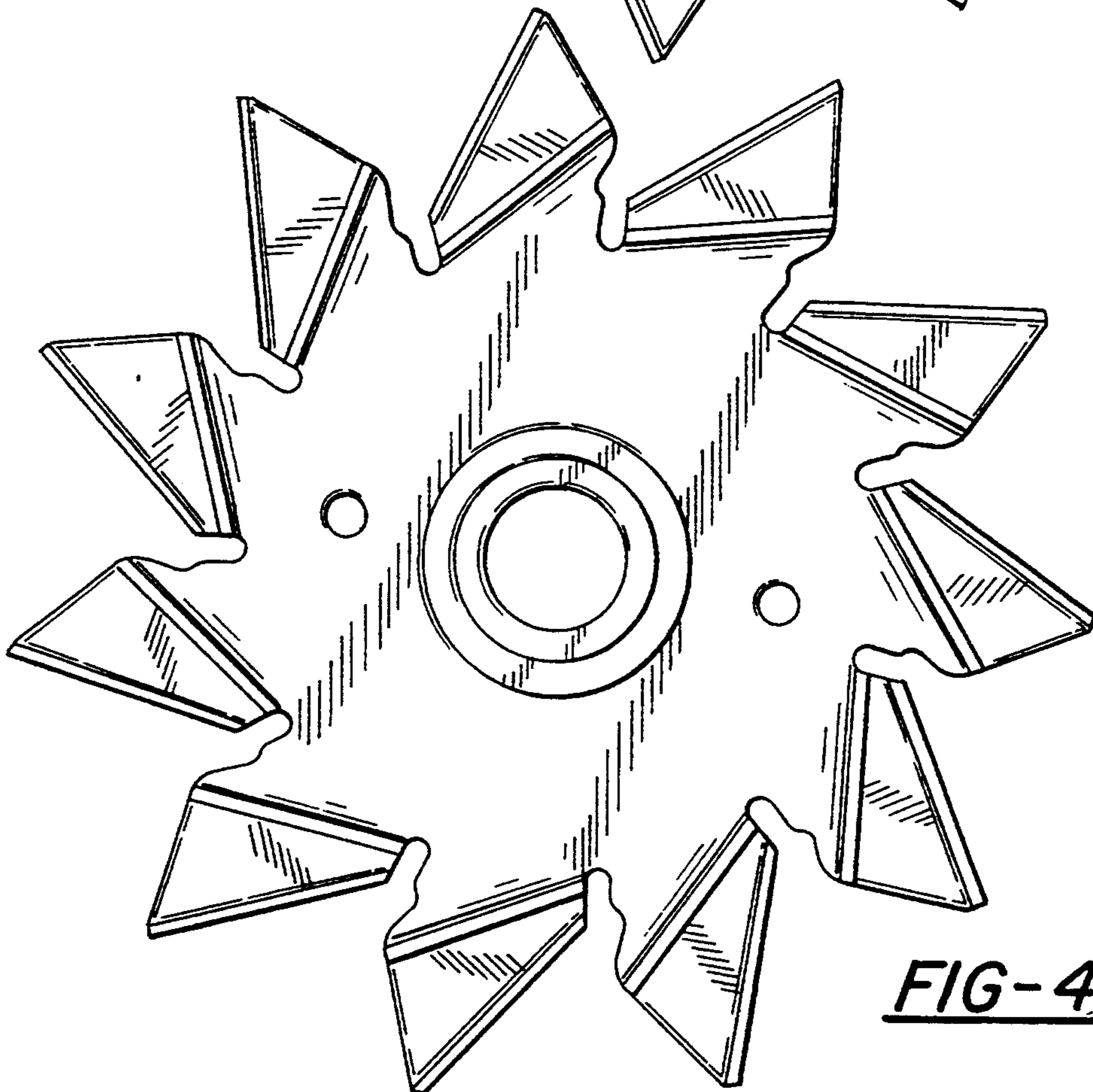
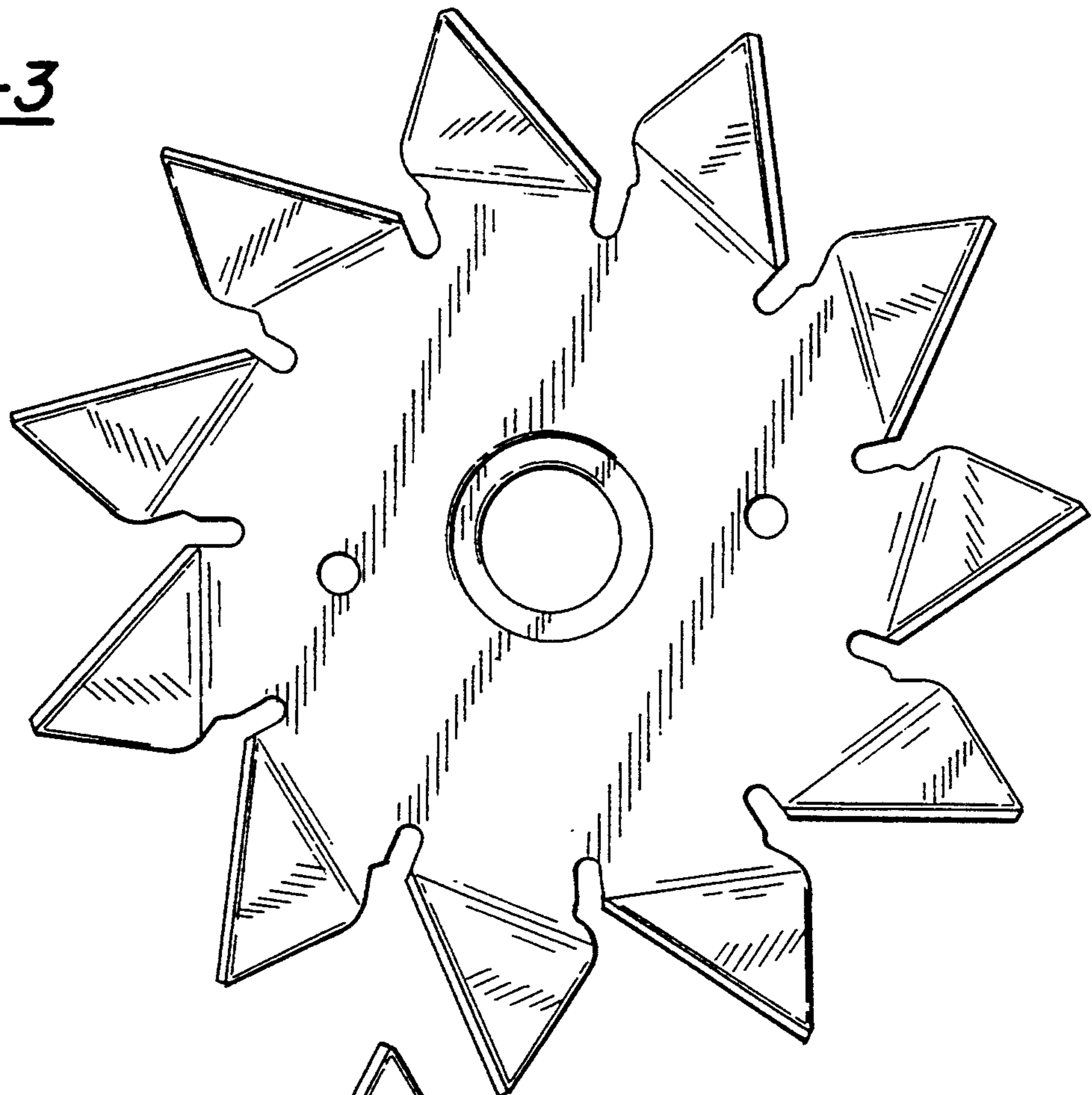


FIG-4