



US00D349283S

# United States Patent [19]

[11] Patent Number: **Des. 349,283**

**Kurtz**

[45] Date of Patent: **\*\* Aug. 2, 1994**

[54] **WIRELESS BASESTATION**  
[75] Inventor: **Michael Kurtz**, Ottawa, Canada

D. 325,733 4/1992 Suzuki et al. .... D14/155  
D. 328,069 7/1992 Langton ..... D14/138  
D. 328,293 7/1992 Mak et al. .... D14/137

[73] Assignee: **Northern Telecom Limited**,  
MONTreal, Canada

*Primary Examiner*—Bernard Ansher  
*Assistant Examiner*—Richelle Shelton  
*Attorney, Agent, or Firm*—R. J. Austin

[\*\*] Term: **14 Years**

[21] Appl. No.: **909,442**

[57] **CLAIM**

[22] Filed: **Jul. 6, 1992**

The ornamental design for a wireless basestation, as shown and described.

[52] U.S. Cl. .... **D14/142; D14/137**

[58] **Field of Search** ..... 379/58-61;  
455/73, 89, 90; 379/419, 440-442; D14/124,  
100, 107, 114, 137, 138, 140, 142, 149, 240, 248,  
256; D13/133, 184

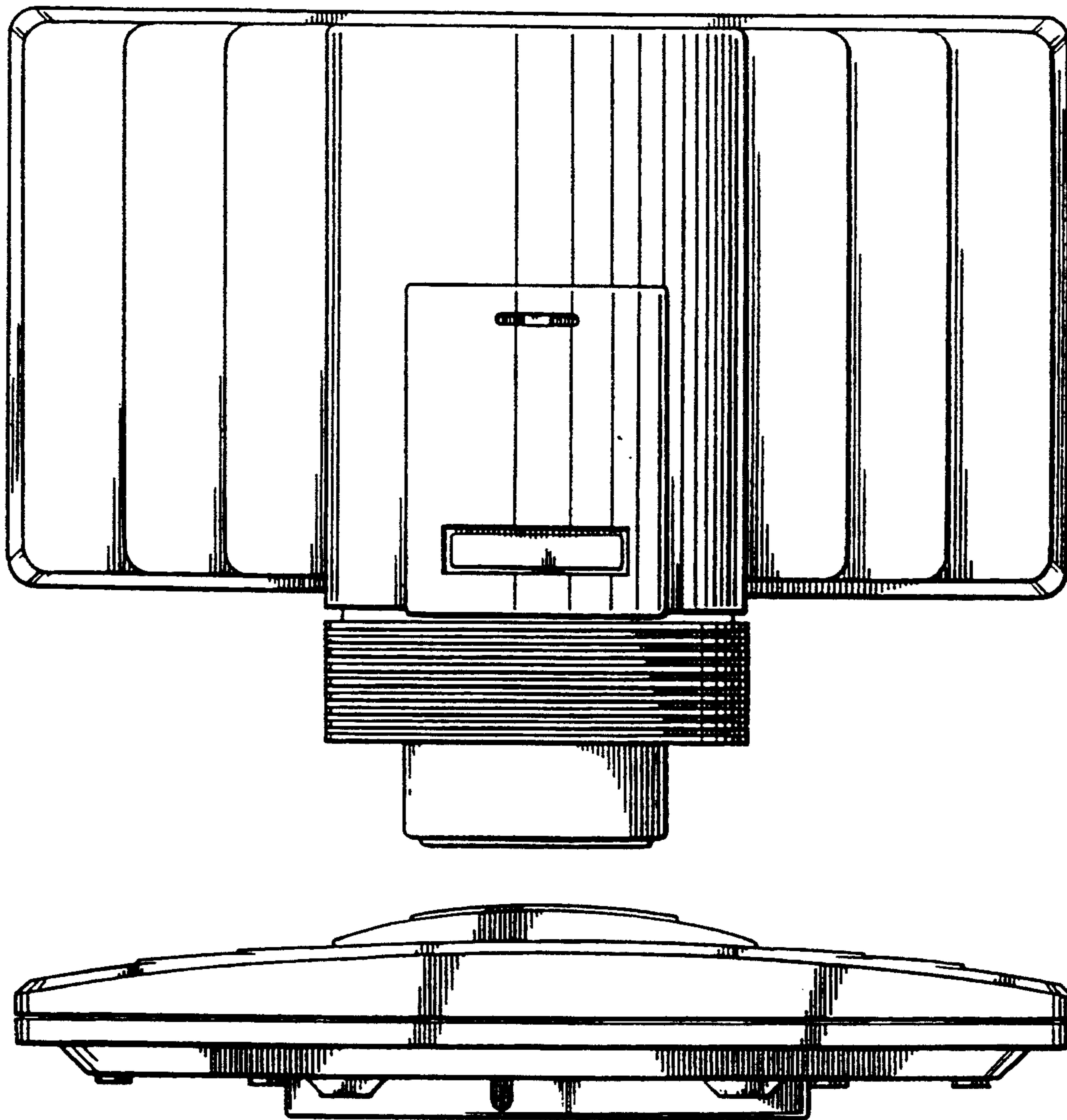
**DESCRIPTION**

[56] **References Cited**

FIG. 1 is a front elevational view of a wireless basestation showing my new design;  
FIG. 2 is a rear elevational view thereof;  
FIG. 3 is a bottom plan view thereof;  
FIG. 4 is a top plan view thereof;  
FIG. 5 is a right side elevational view thereof; and,  
FIG. 6 is a left side elevational view thereof.

**U.S. PATENT DOCUMENTS**

D. 306,583 3/1990 Krolopp et al. .... D14/137



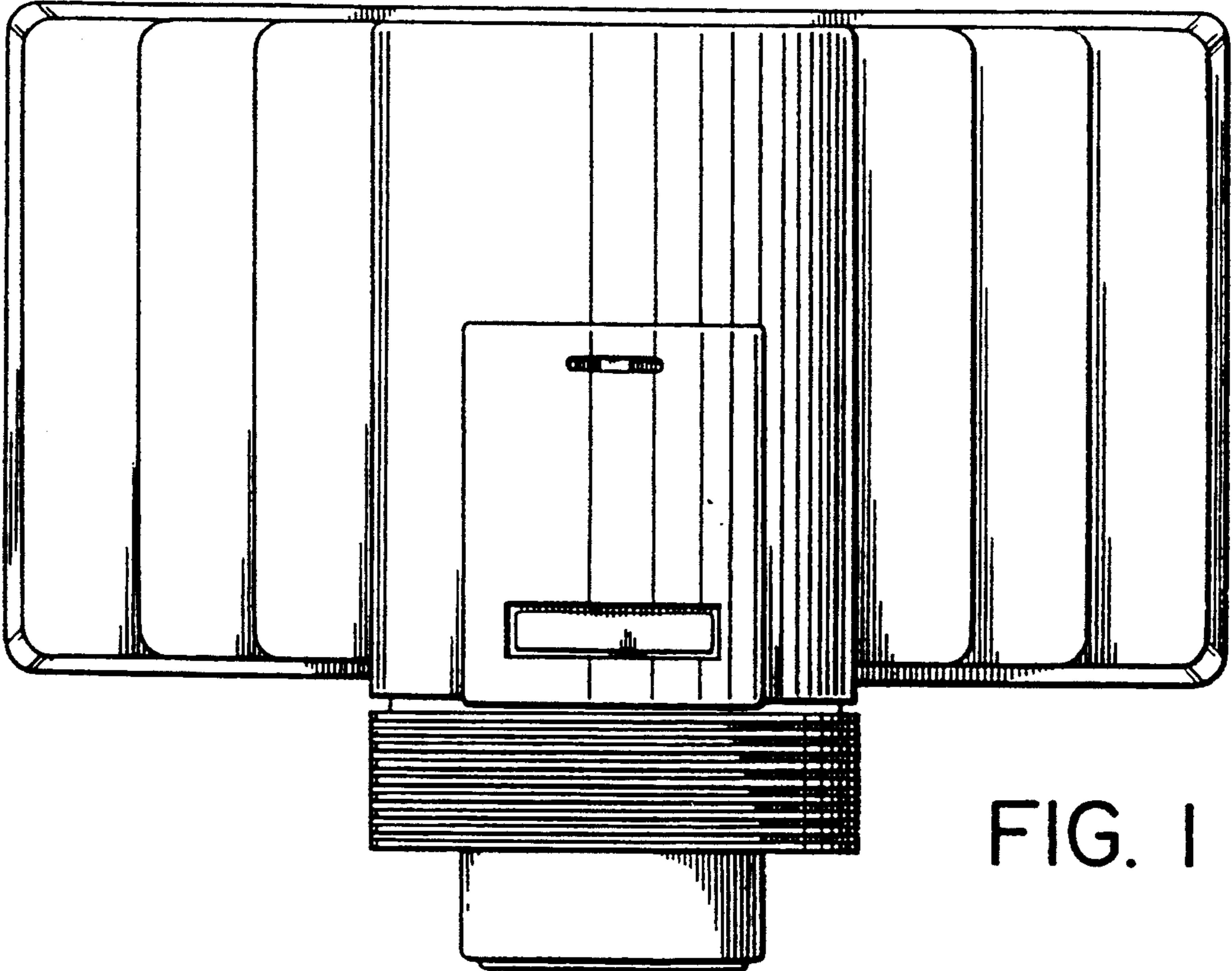


FIG. 1

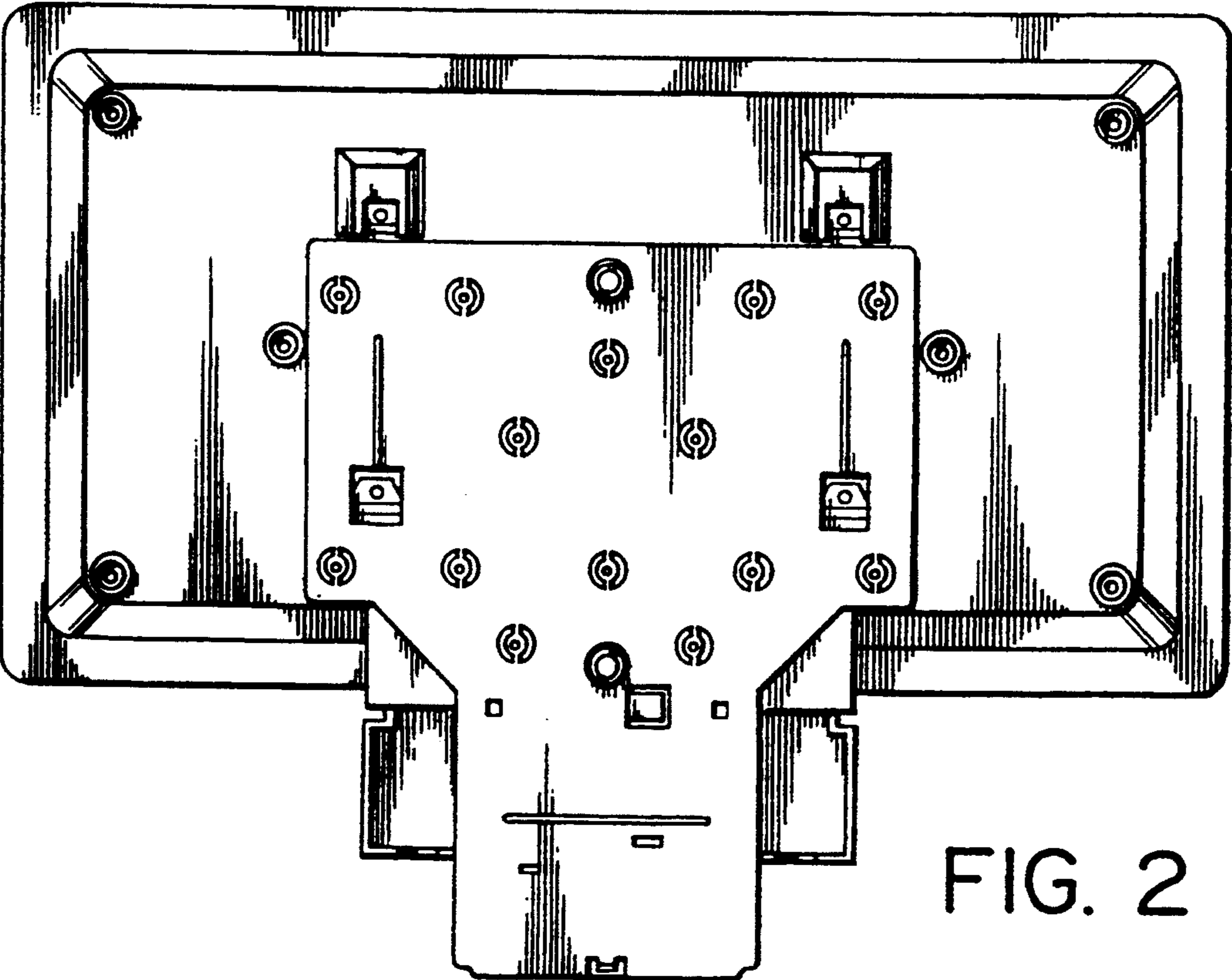


FIG. 2

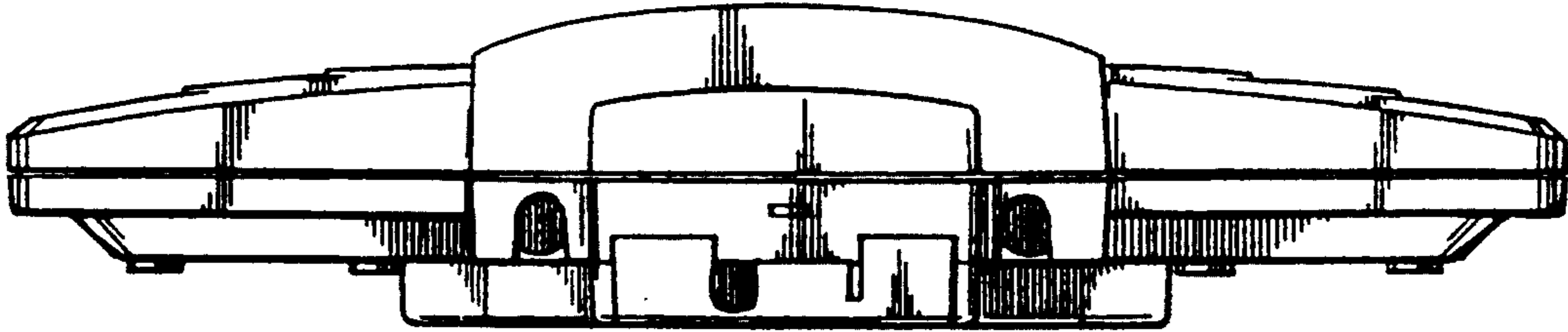


FIG. 3

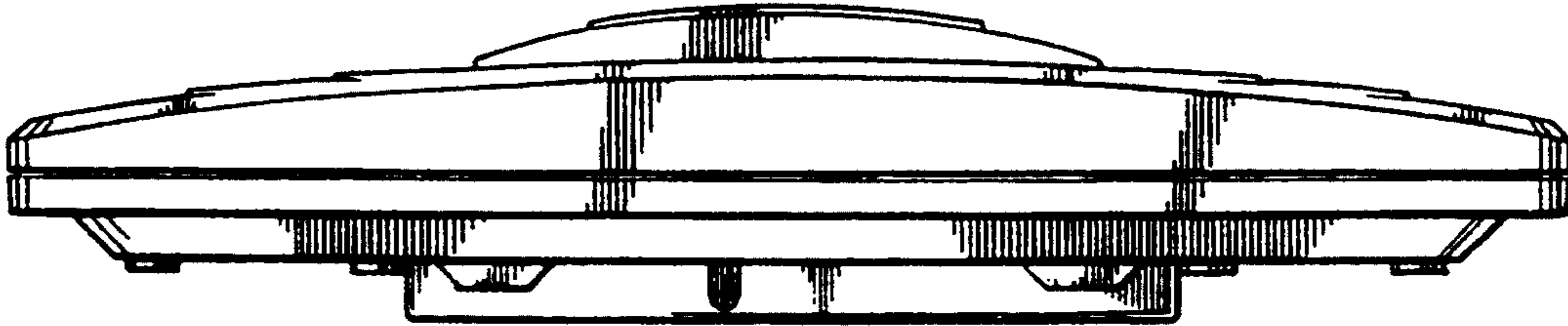


FIG. 4



FIG. 5



FIG. 6