



US00D349282S

United States Patent [19]

[11] Patent Number: **Des. 349,282**

Lunka et al.

[45] Date of Patent: **** Aug. 2, 1994**

[54] HOUSING FOR MAGNETIC TAPE CARTRIDGE MAGAZINE AUTOLOADER

FOREIGN PATENT DOCUMENTS

[75] Inventors: **Harold A. Lunka**, Broomfield;
George Reichenberg, Lafayette;
Gregory D. Volan, Louisville, all of
Colo.

0066061 3/1991 Japan 360/92

[73] Assignee: **Storage Technology Corporation**,
Louisville, Colo.

Primary Examiner—Bernard Ansher
Assistant Examiner—Richelle Shelton
Attorney, Agent, or Firm—Duft, Graziano & Forest

[**] Term: **14 Years**

[57] CLAIM

[21] Appl. No.: **918,636**

The ornamental design for a housing for magnetic tape cartridge magazine autoloader, as shown and described.

[22] Filed: **Jul. 21, 1992**

DESCRIPTION

[52] U.S. Cl. **D14/124**

FIG. 1 is a perspective view of a housing for a magnetic tape cartridge magazine autoloader showing our new design;

[58] Field of Search 242/197, 198, 199, 71.8;
360/91, 92; 369/30; D14/124

FIG. 2 is a front elevational view thereof;

FIG. 3 is a back elevational view thereof;

FIG. 4 is a top plan view thereof;

FIG. 5 is a bottom plan view thereof;

FIG. 6 is a right side elevational view thereof; and,

FIG. 7 is a left side elevational view thereof.

The broken lines in FIGS. 1-7 are for illustrative purposes only and form no part of the claimed design.

[56] References Cited

U.S. PATENT DOCUMENTS

4,985,791 1/1991 Yamagishi 242/199 X
5,021,902 6/1991 Ishikawa et al. 360/92
5,041,929 8/1991 Fryberger et al. 360/92

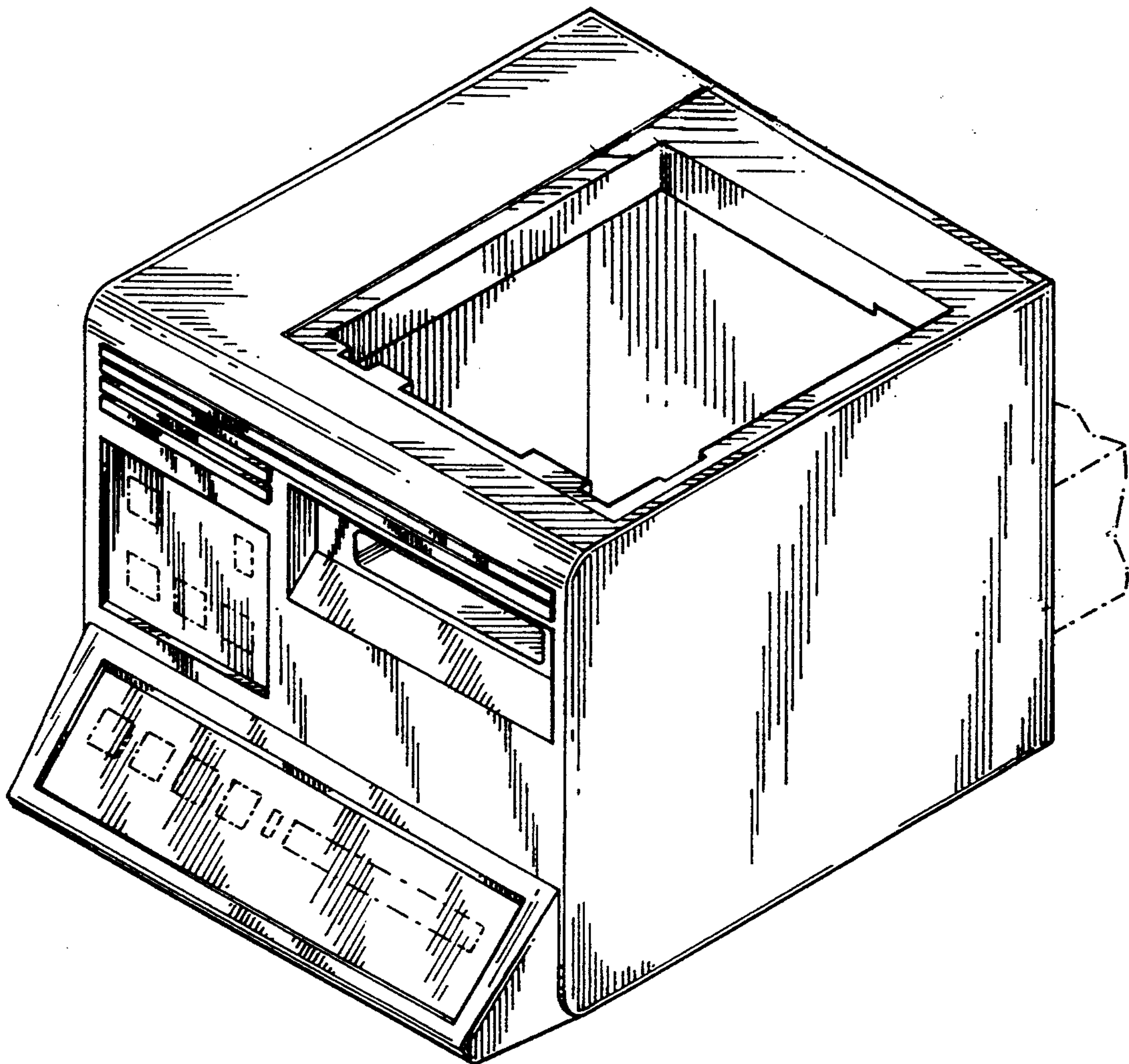


FIG. 1.

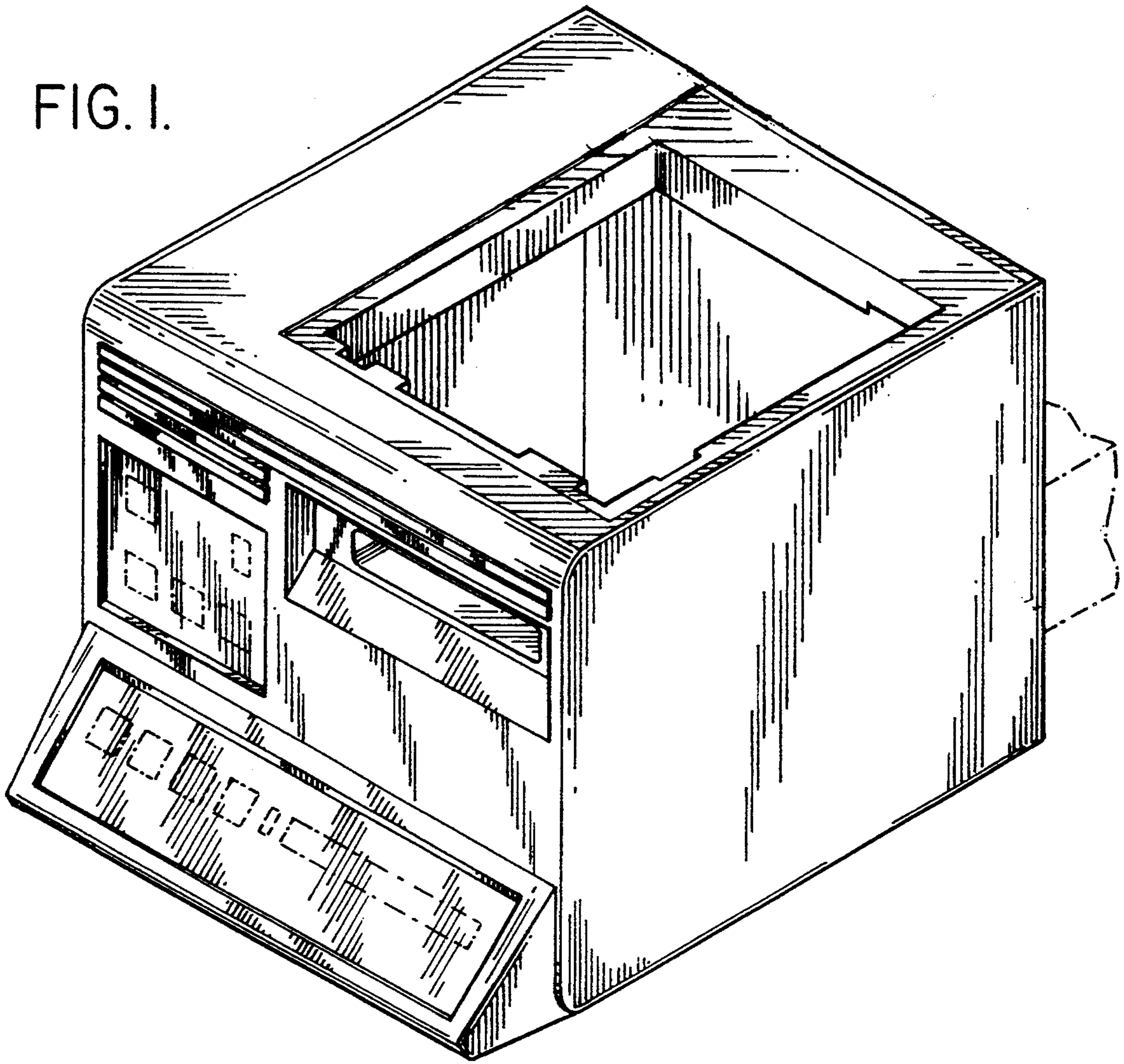


FIG. 2.

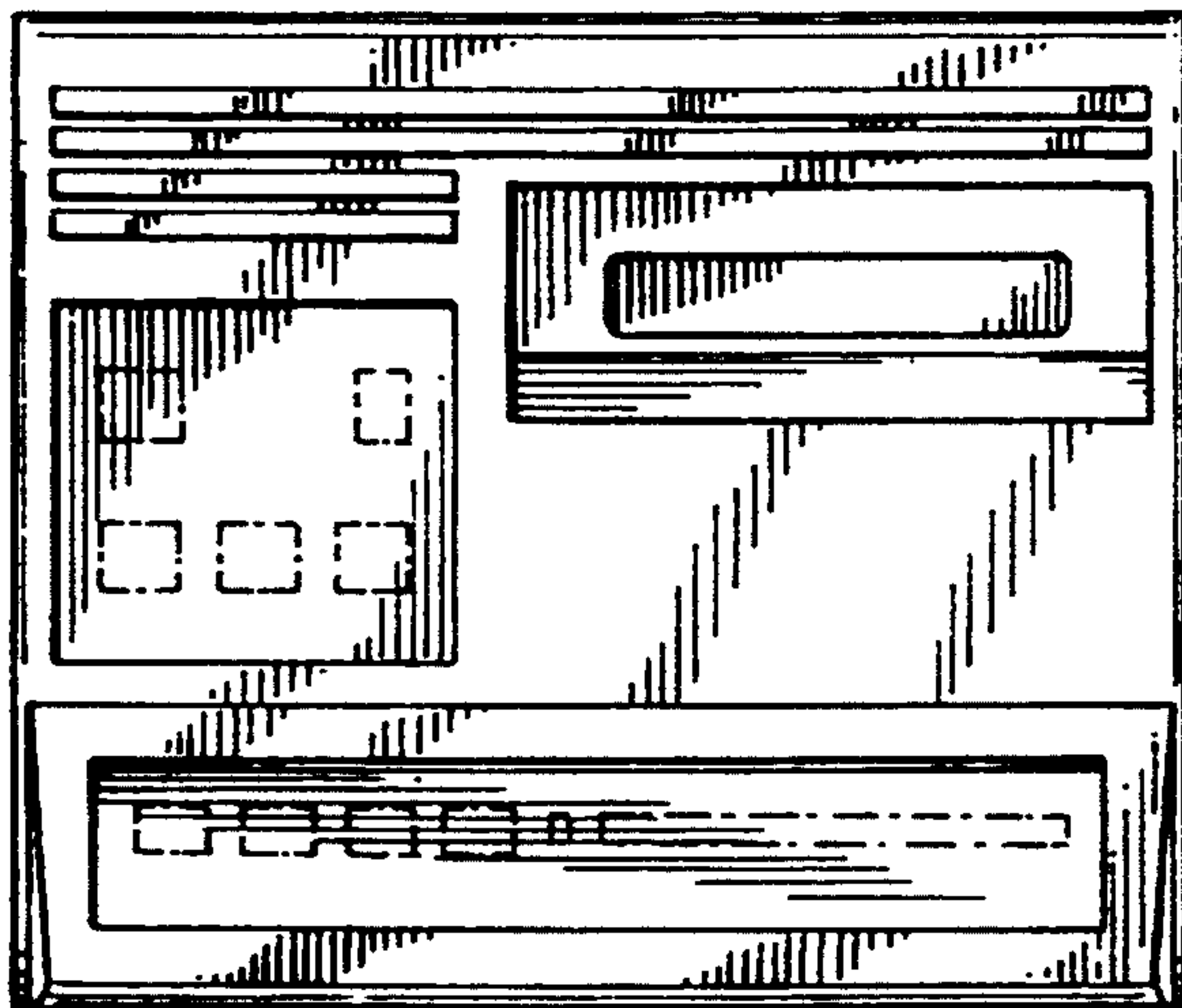


FIG. 3.

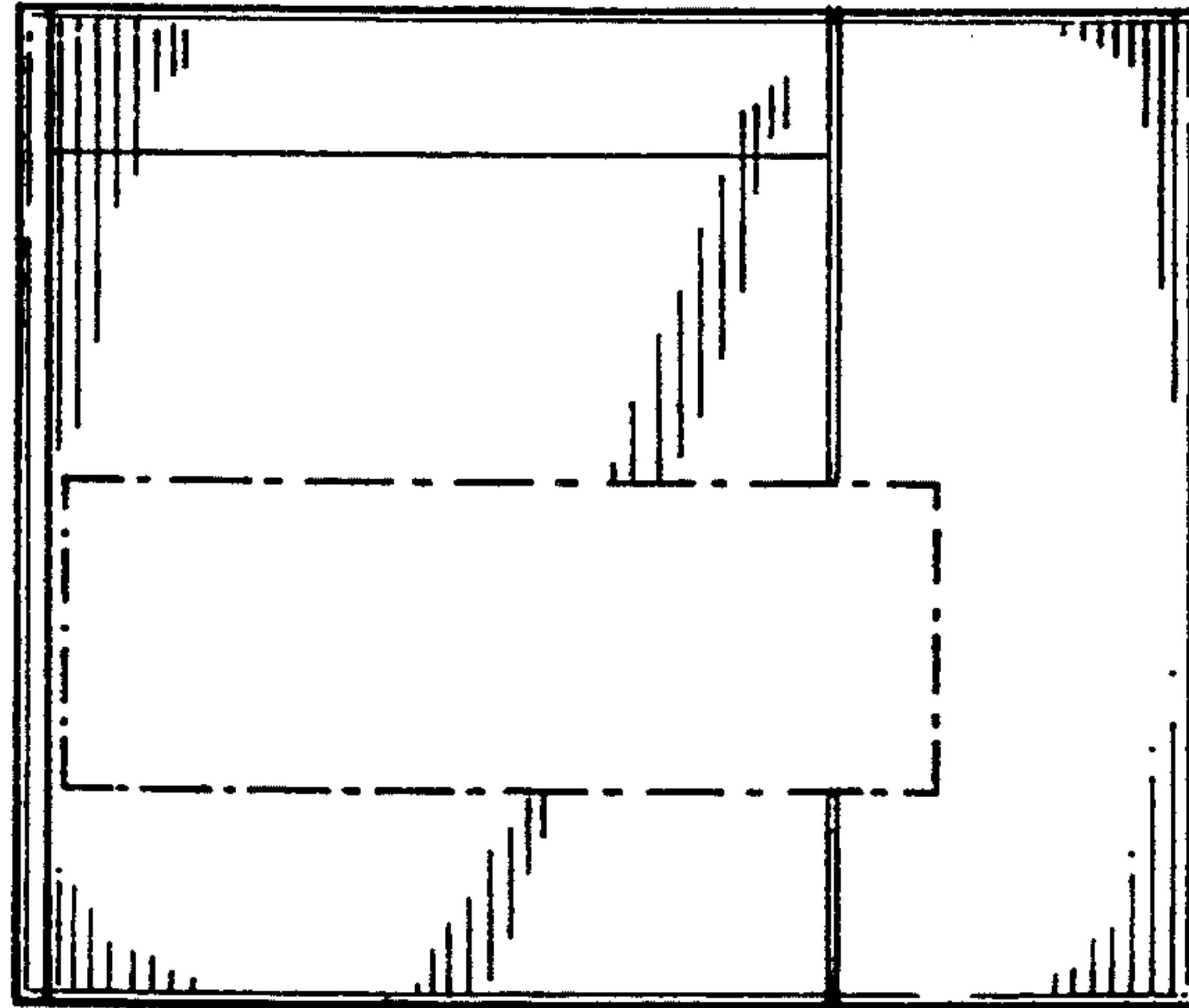


FIG. 4.

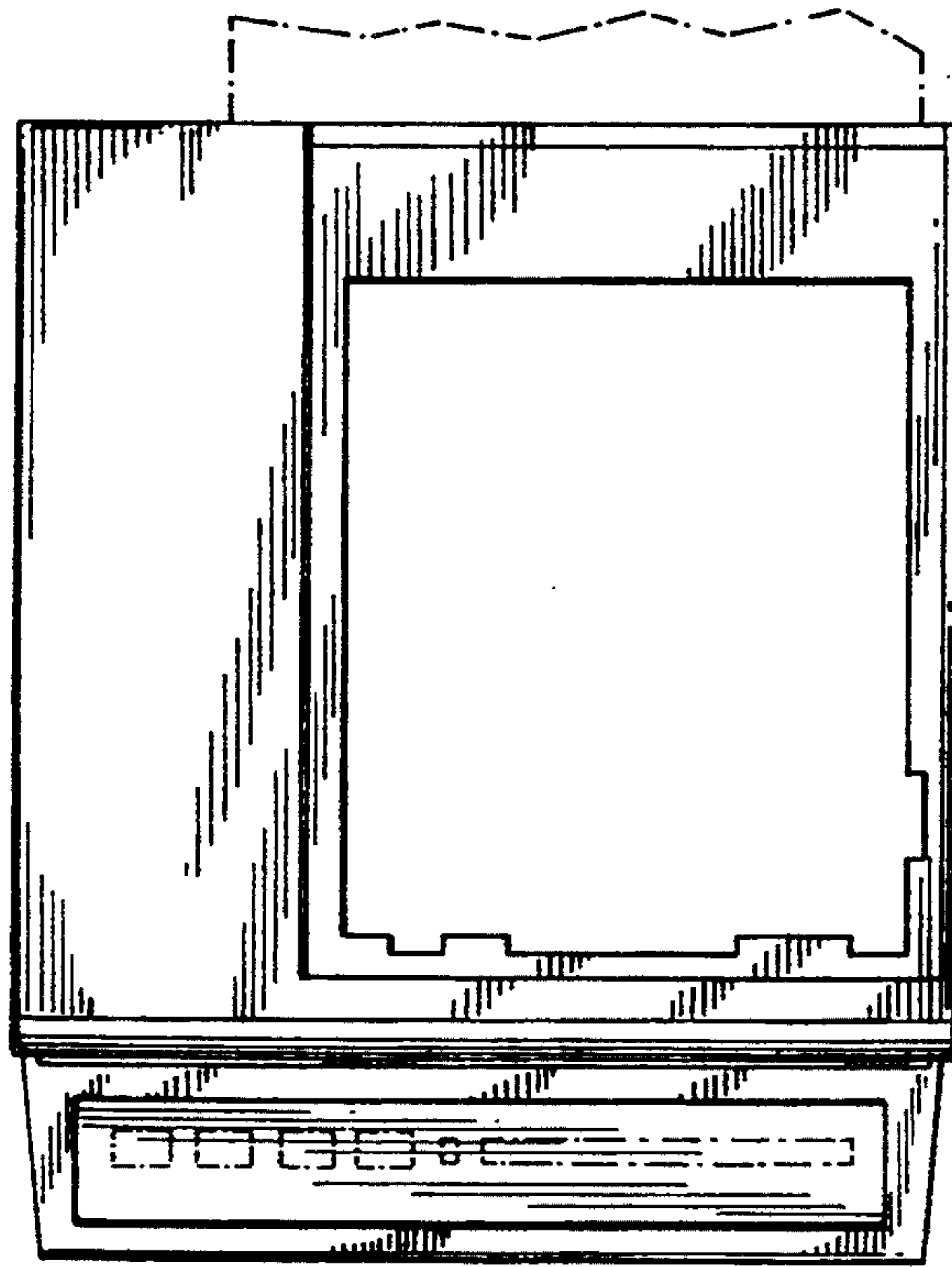


FIG. 6.

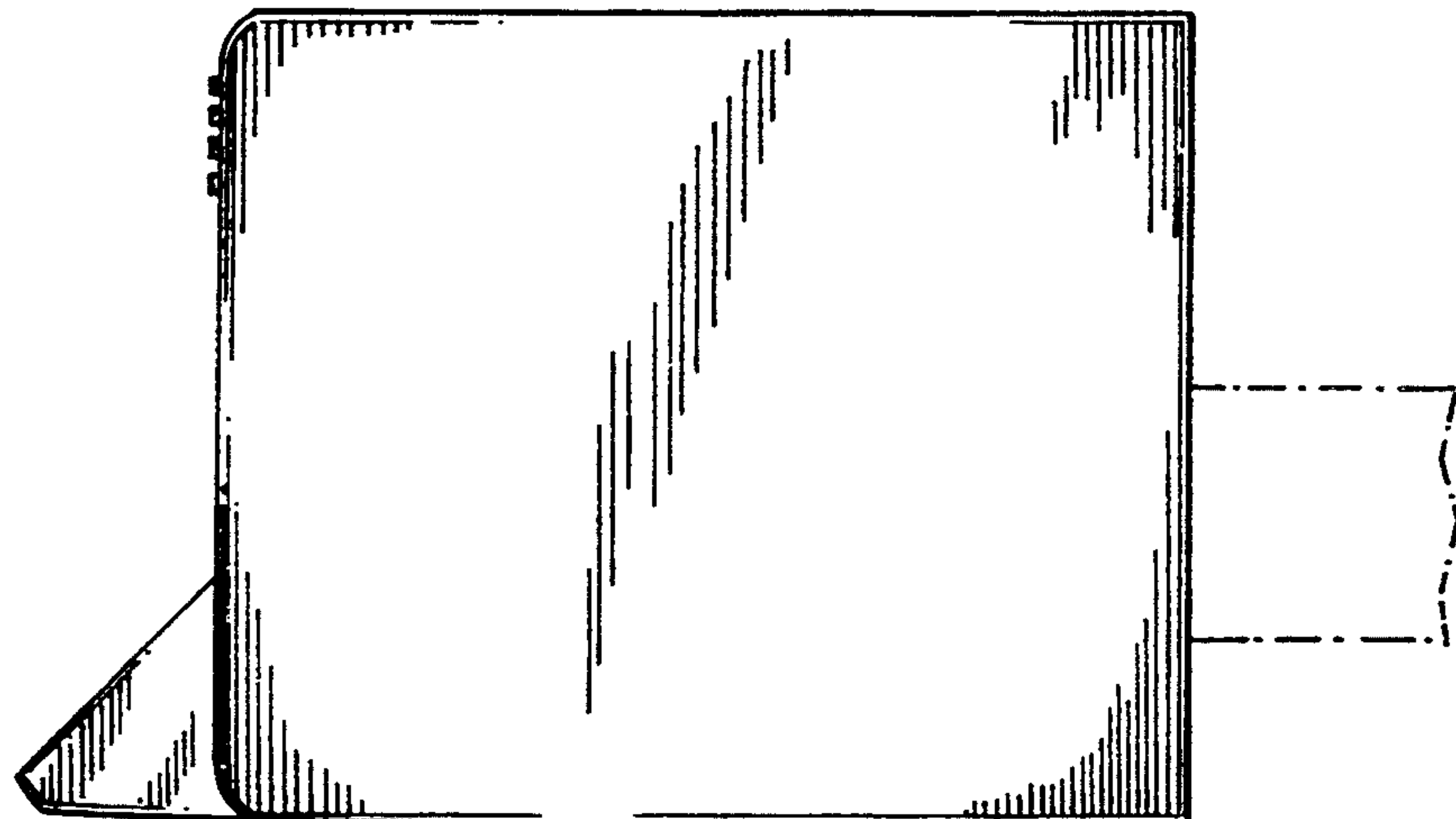


FIG. 5.

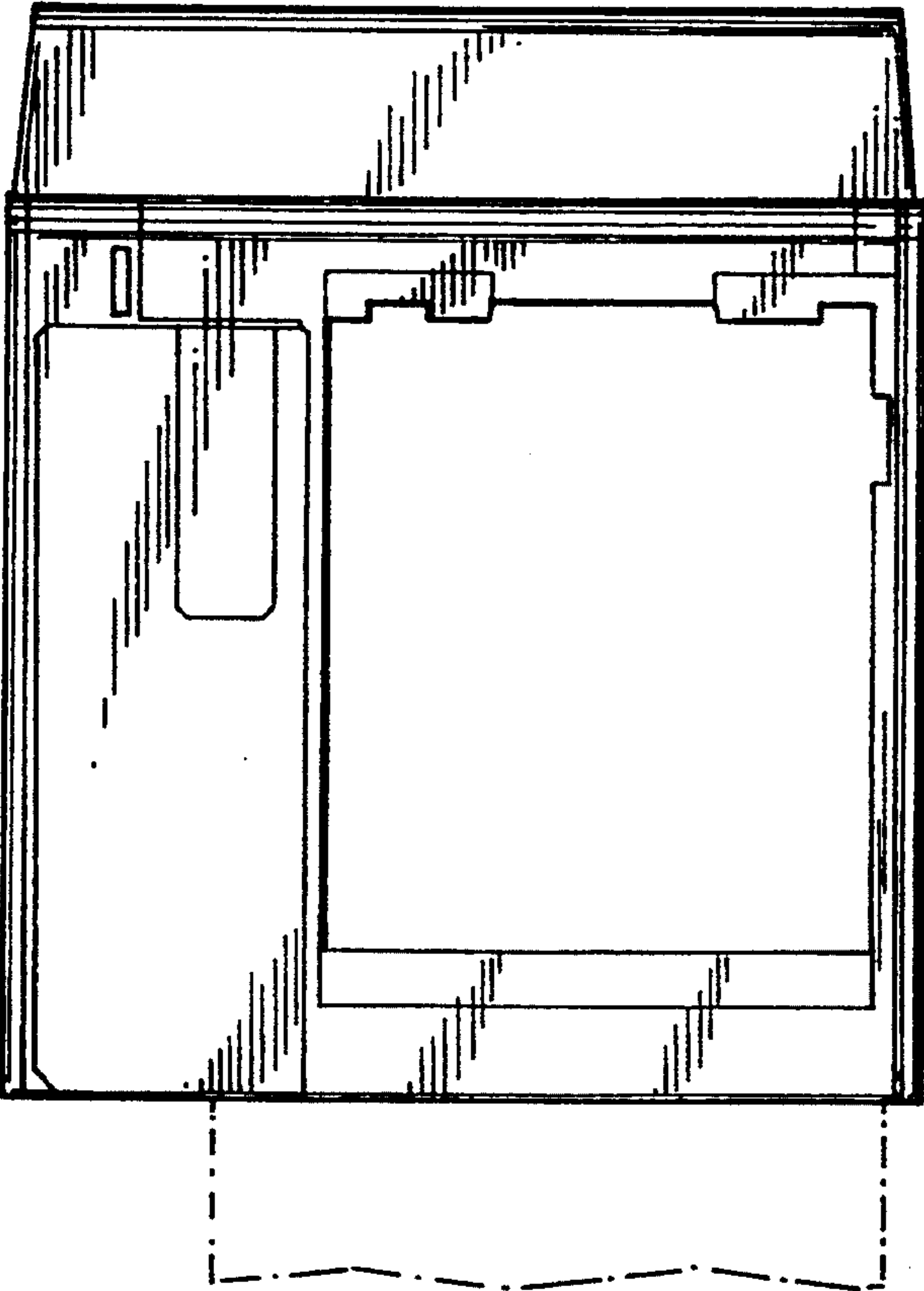


FIG. 7.

