



US00D349278S

United States Patent [19] Wetrin

[11] Patent Number: **Des. 349,278**

[45] Date of Patent: **** Aug. 2, 1994**

[54] **NOTEBOOK COMPUTER HOUSING**

[75] Inventor: **Israel Wetrin**, London, England

[73] Assignee: **Elonex PLC**, London, England

[**] Term: **14 Years**

[21] Appl. No.: **5,145**

[22] Filed: **Feb. 24, 1993**

[30] **Foreign Application Priority Data**

Aug. 27, 1992 [GB] United Kingdom 2025296

[52] U.S. Cl. **D14/106**

[58] Field of Search 235/145 A, 145 R;
341/22, 23; 345/168, 169, 172, 173; 364/708.1,
709.04, 709.12; 400/486, 489; D14/100, 101,
106, 113, 115; D18/1, 7, 11, 12

[56] **References Cited**

U.S. PATENT DOCUMENTS

- D. 332,783 1/1993 Krakower et al. D14/106
- D. 336,465 6/1993 Kim D14/106
- D. 339,113 9/1993 Kelly et al. D14/106
- D. 344,269 2/1994 Toedter et al. D14/106

Primary Examiner—Wallace R. Burke

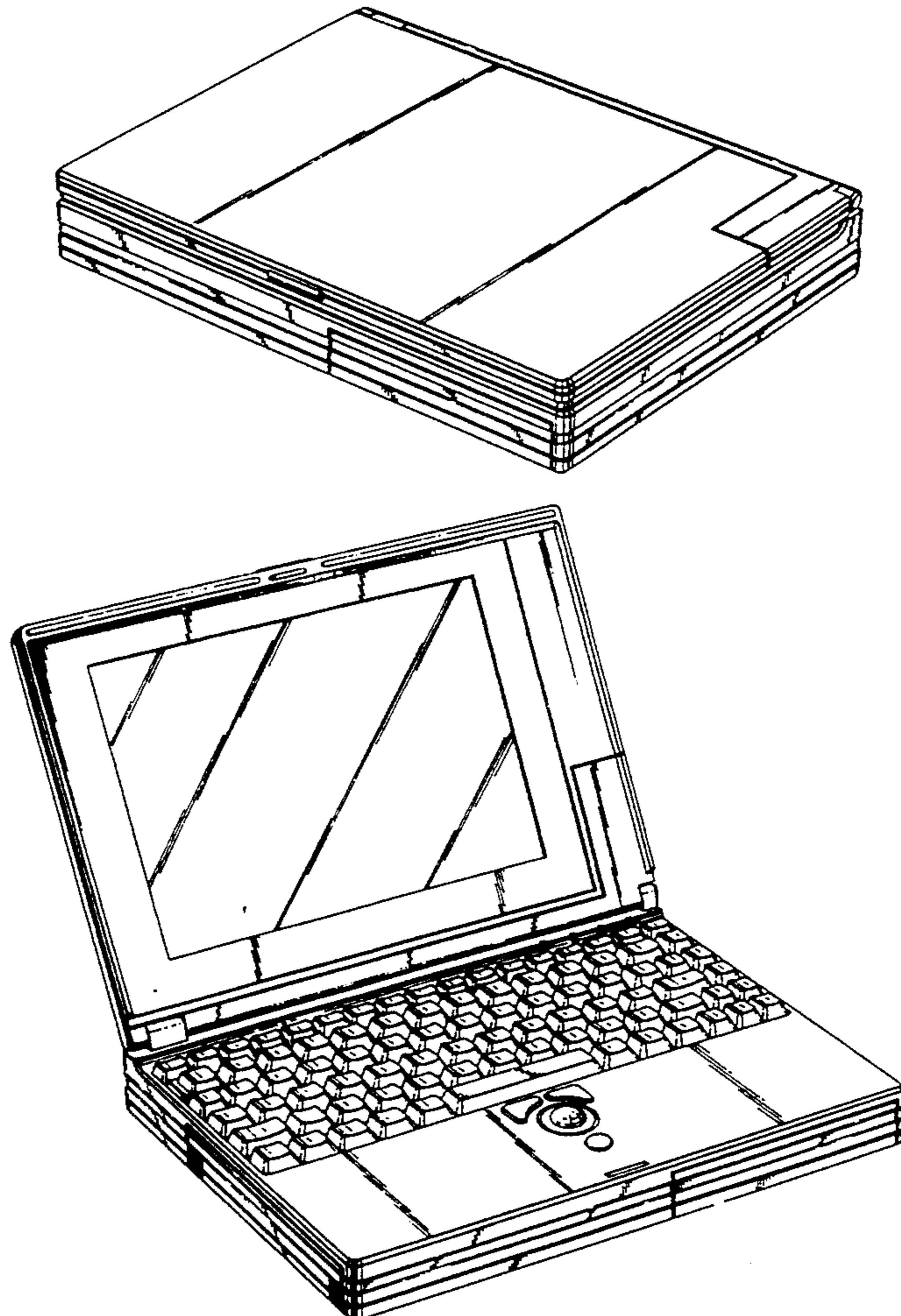
Assistant Examiner—Freda S. Nunn
Attorney, Agent, or Firm—Steven H. Bazerman

[57] **CLAIM**

The ornamental design for a notebook computer housing, as shown and described.

DESCRIPTION

FIG. 1 is a top perspective view of the notebook computer housing showing my new design;
 FIG. 2 is a side elevational view thereof;
 FIG. 3 is a front elevational view thereof;
 FIG. 4 is a back elevational view thereof;
 FIG. 5 is a bottom plan view thereof;
 FIG. 6 is a top perspective view thereof in an open position;
 FIG. 7 is a top plan view thereof in an open position;
 FIG. 8 is a top perspective view of a second embodiment thereof;
 FIG. 9 is a side elevational view thereof;
 FIG. 10 is a front elevational view thereof;
 FIG. 11 is a back elevational view thereof;
 FIG. 12 is a bottom plan view thereof;
 FIG. 13 is a top perspective view thereof in an open position; and,
 FIG. 14 is a top plan view thereof in an open position.



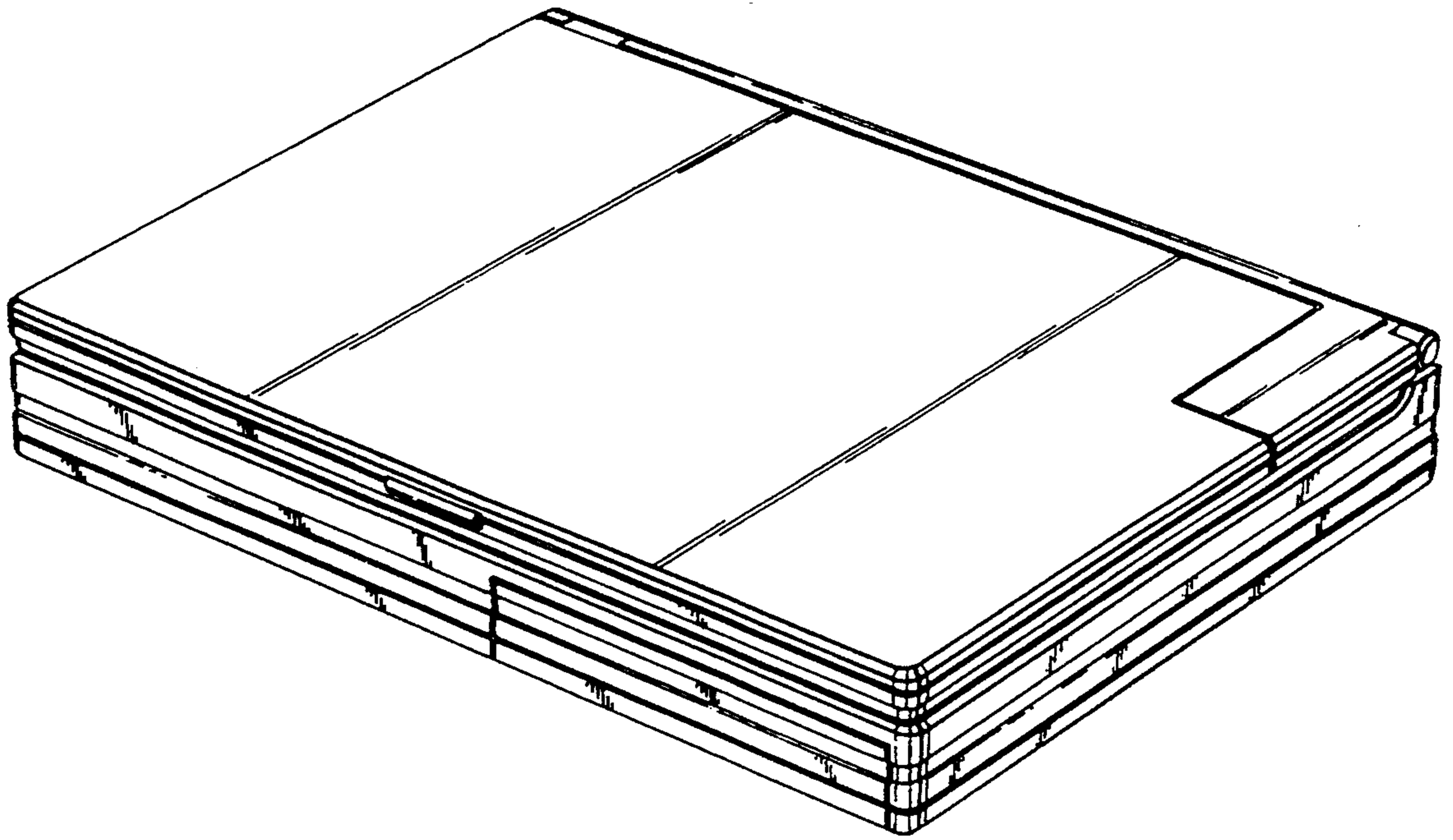


Fig. 1.

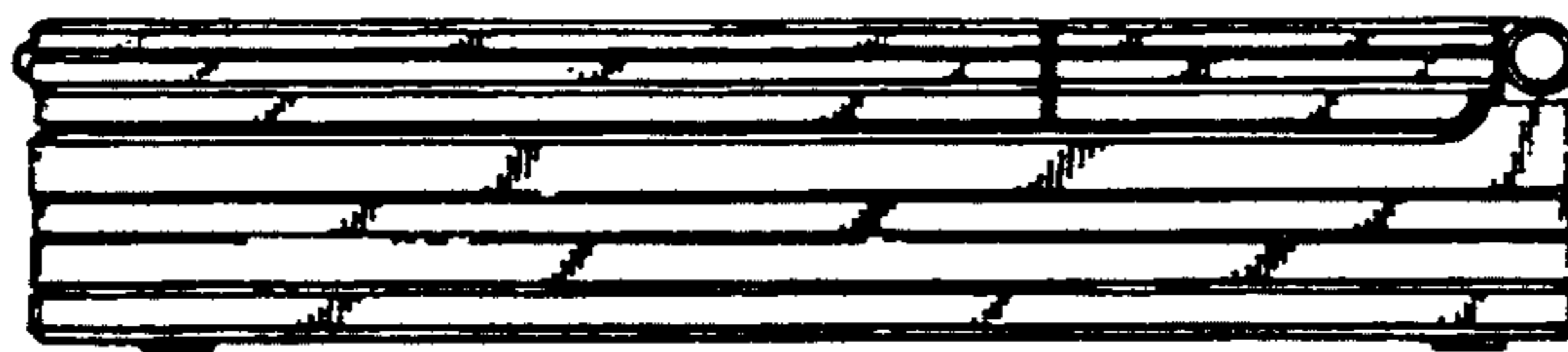


Fig. 2.

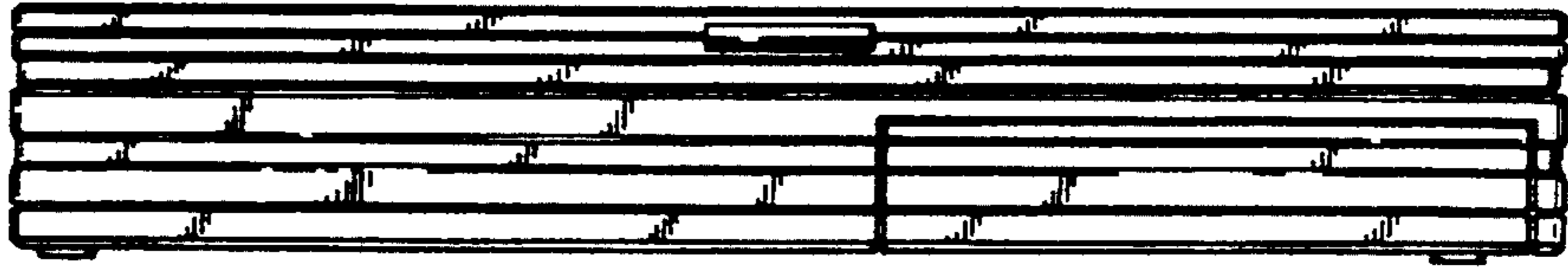


Fig. 3.

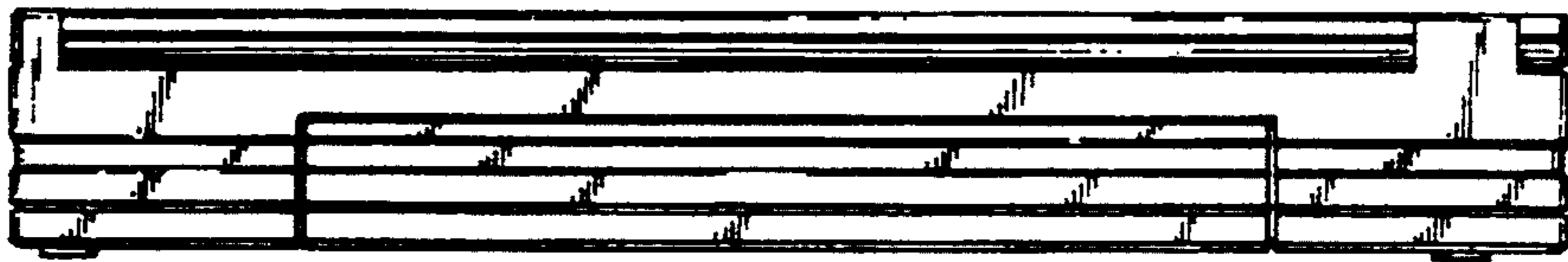


Fig. 4.

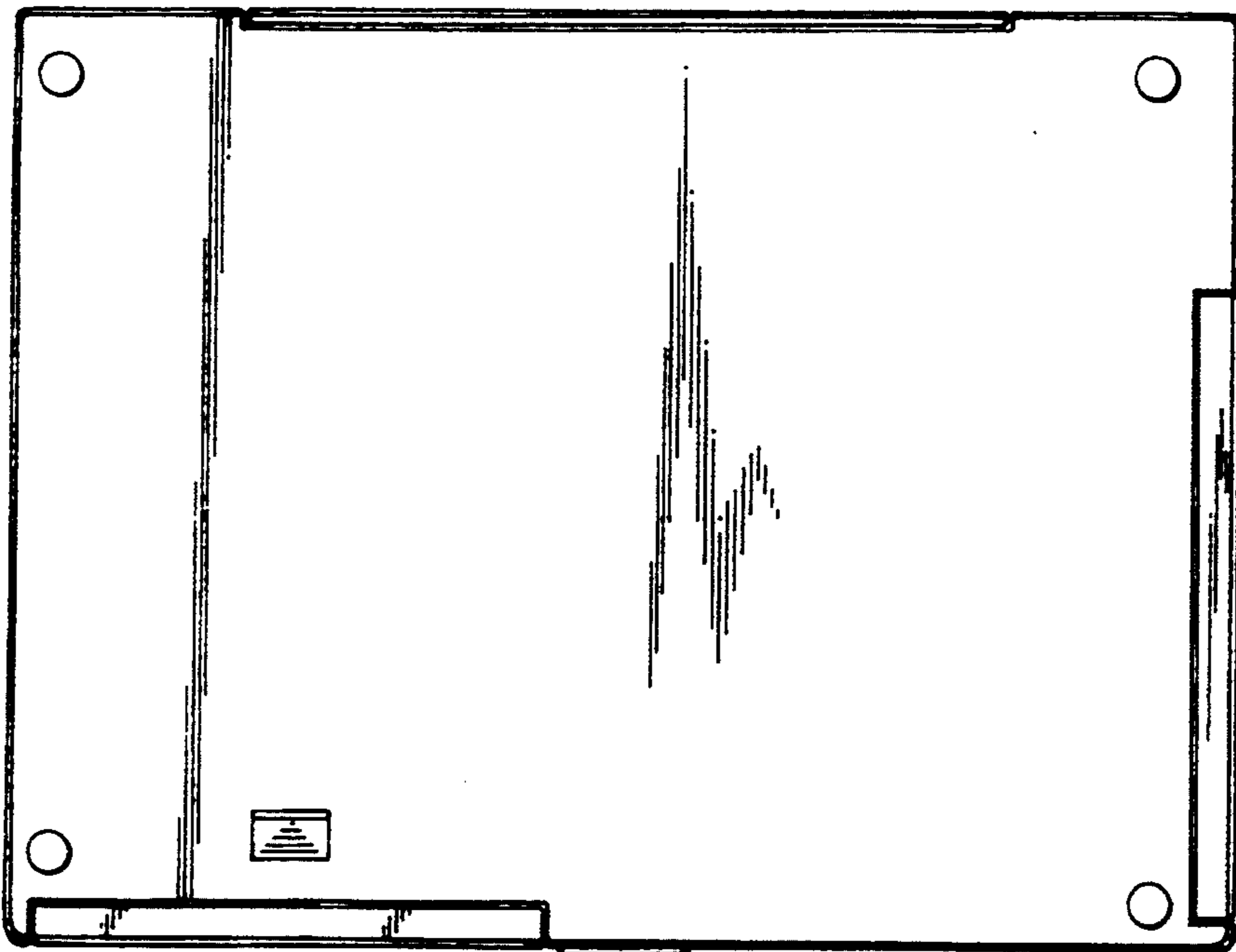


Fig. 5.

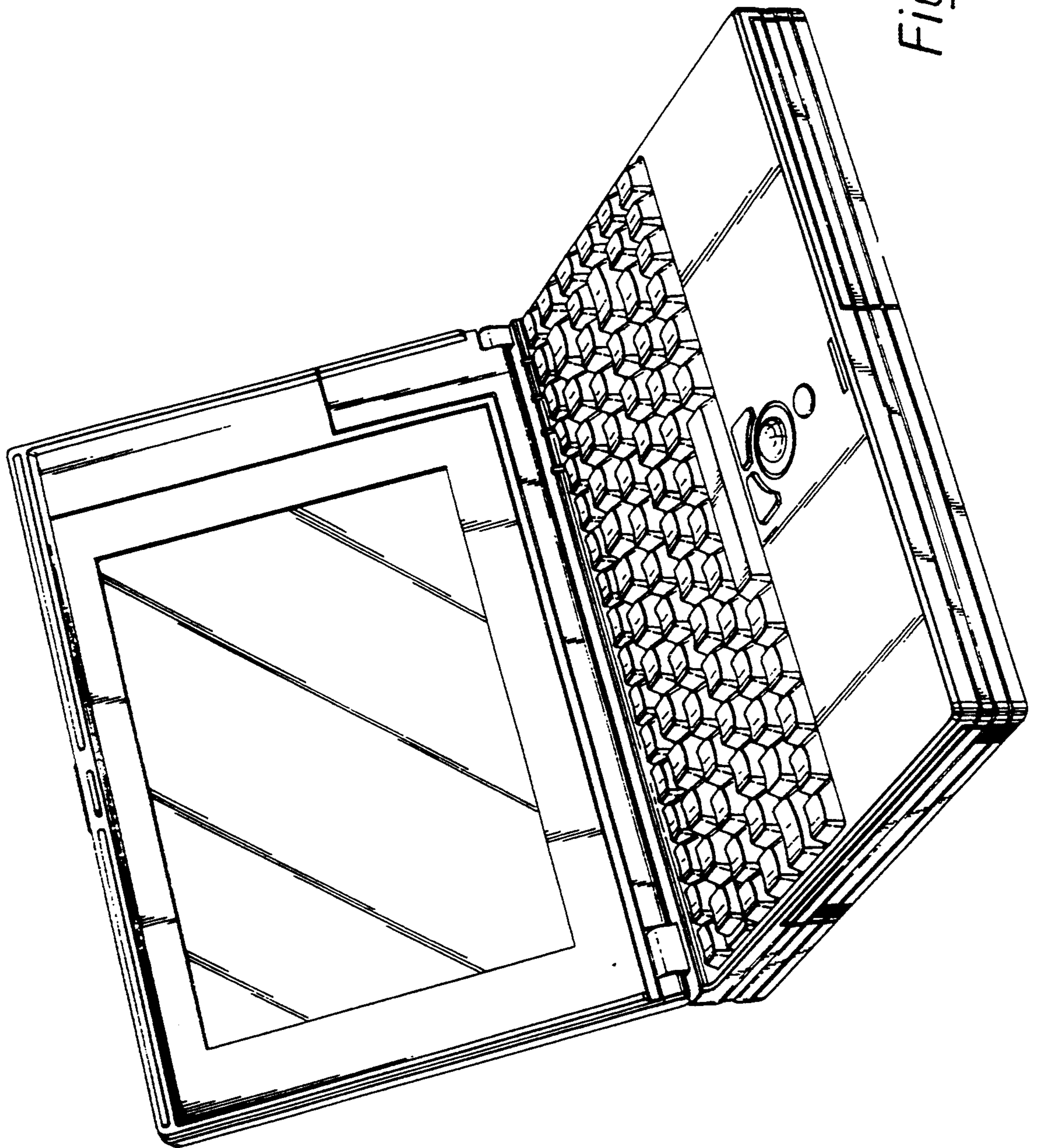


Fig. 6.

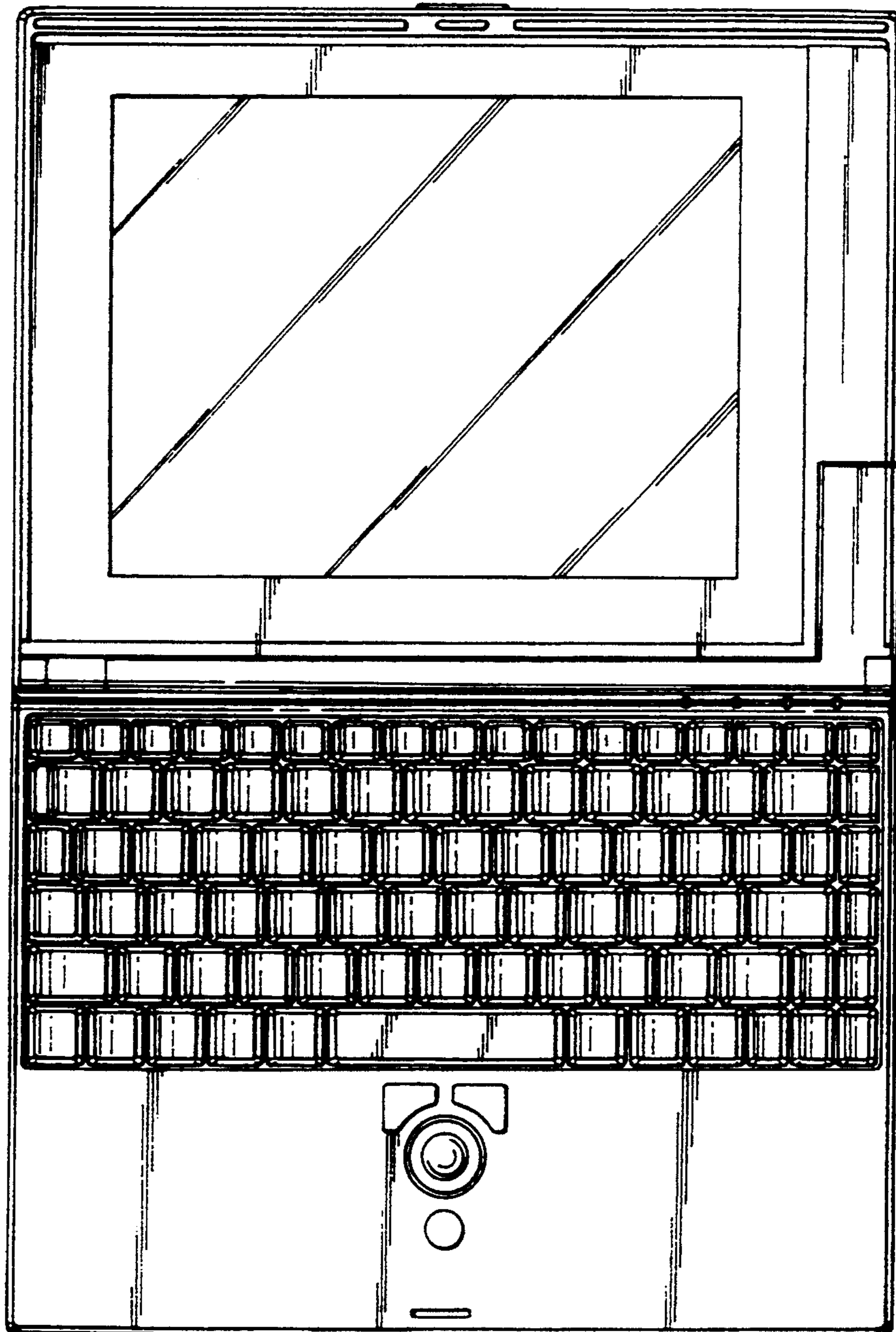


Fig. 7.

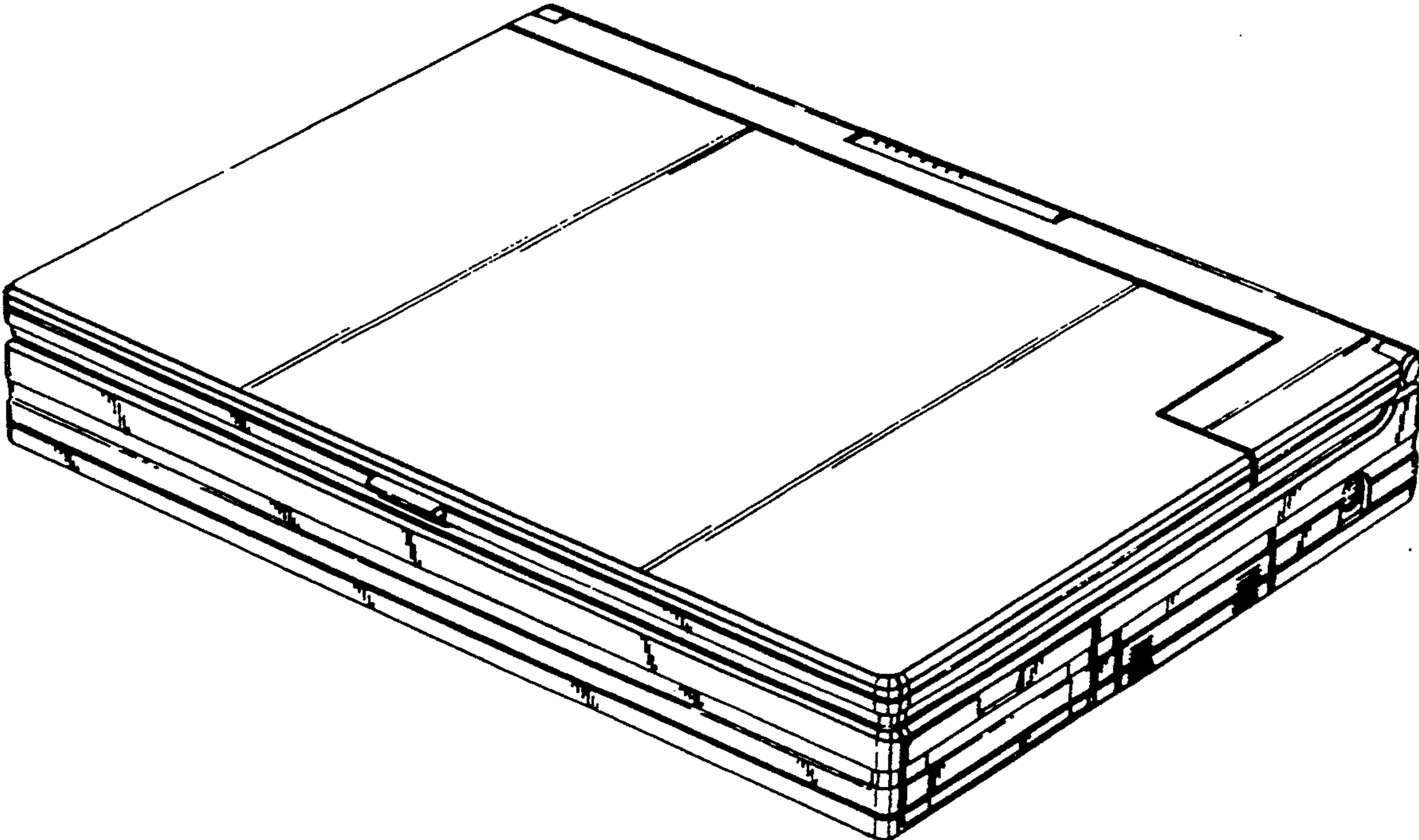


FIG. 8

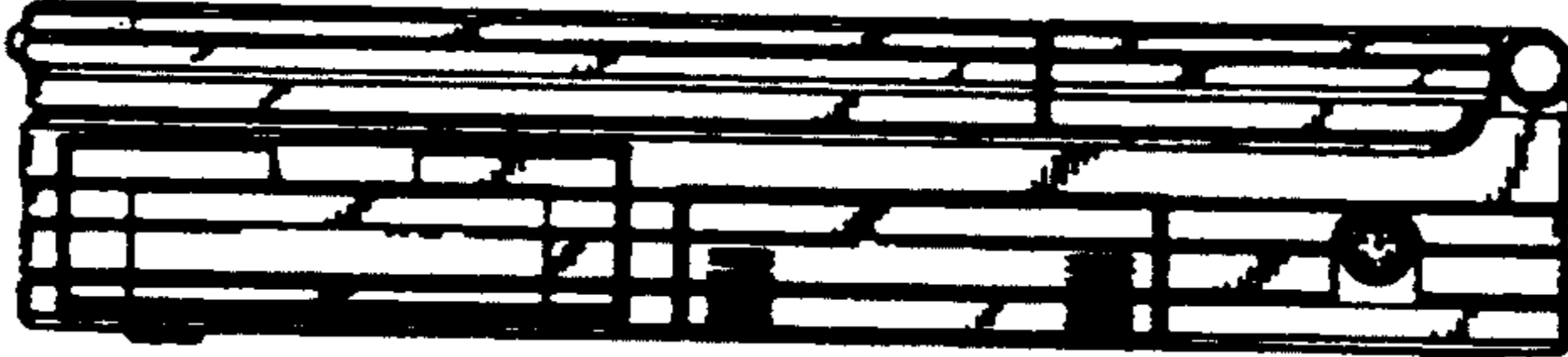


FIG. 9

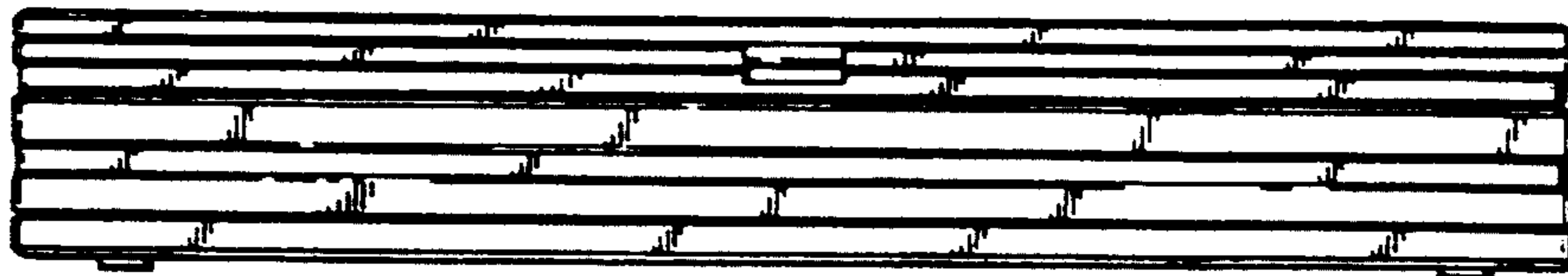


FIG. 10

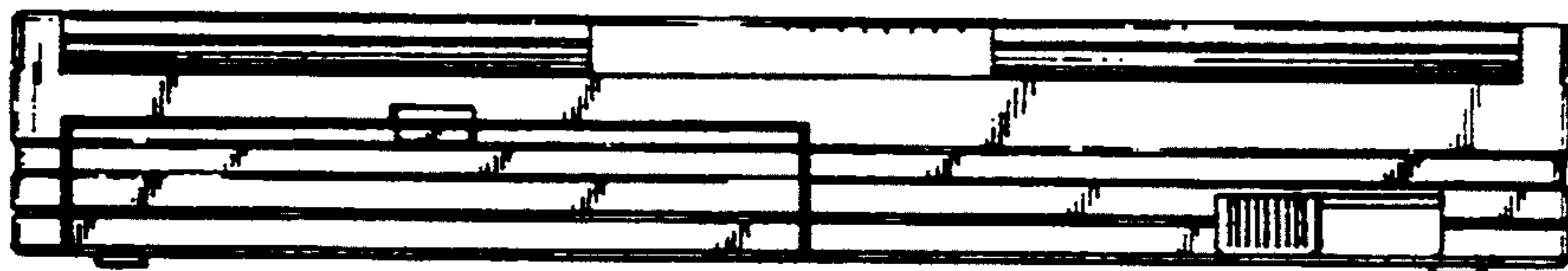


FIG. 11

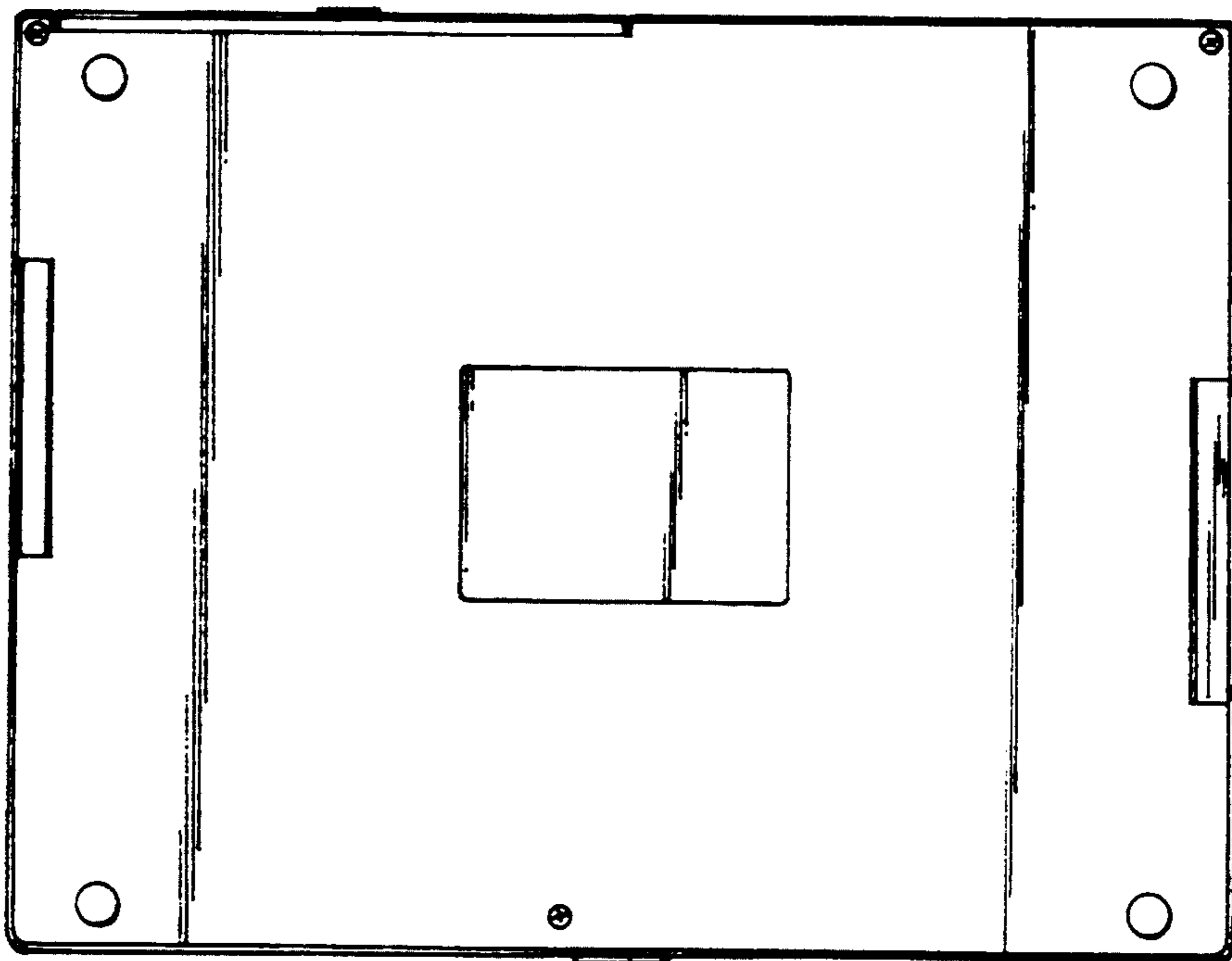


FIG. 12

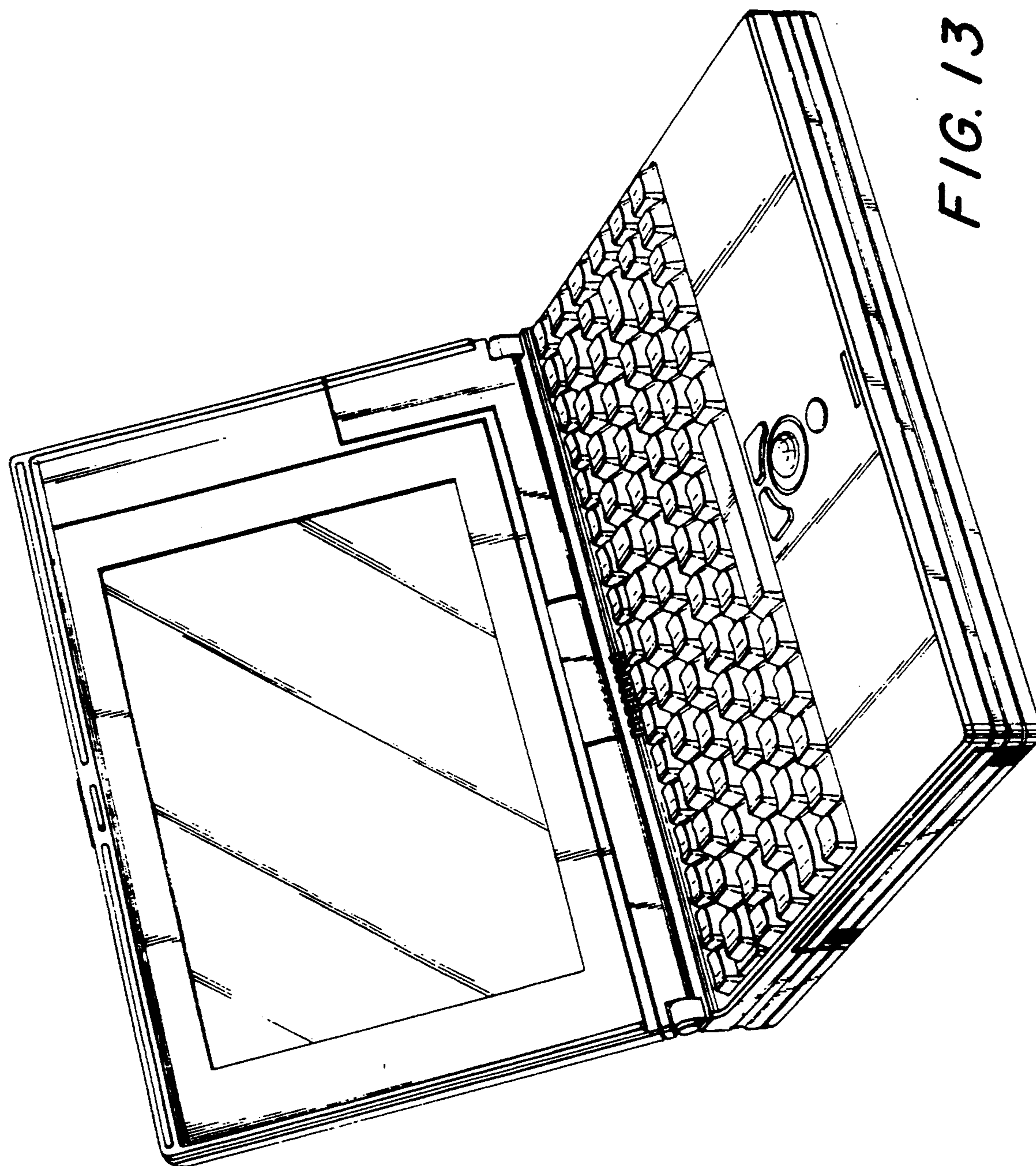


FIG. 13

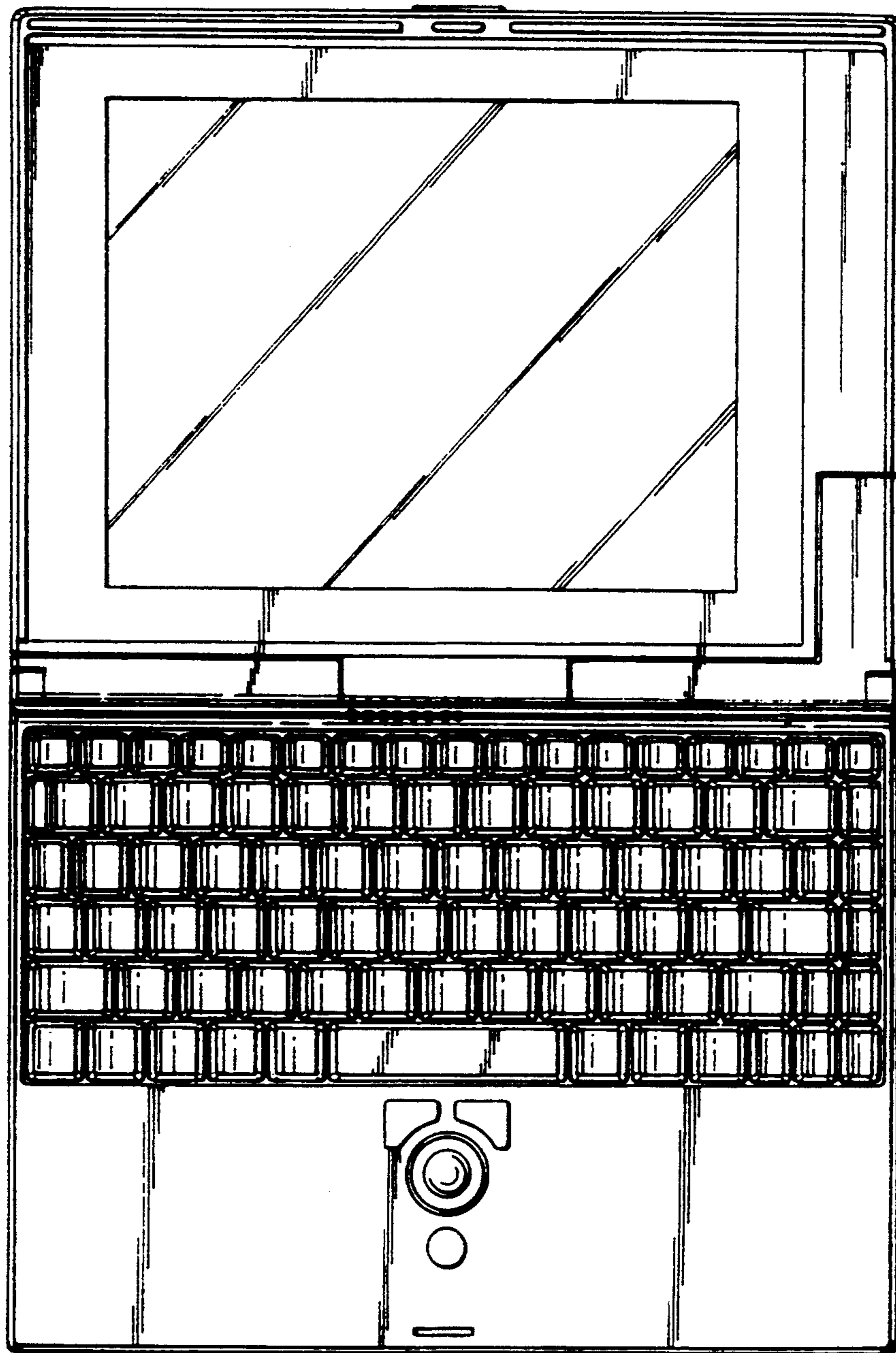


FIG. 14