



US00D349277S

United States Patent [19]

[11] Patent Number: Des. 349,277

Merino et al.

[45] Date of Patent: ** Aug. 2, 1994

[54] **COMBINED INTEGRATED COMPUTER AND DISPLAY COVER**

[75] Inventors: **Tristan A. Merino**, Austin, Tex.;
Richard F. Sapper, Milan, Italy

[73] Assignee: **International Business Machines Corporation**, Armonk, N.Y.

[**] Term: **14 Years**

[21] Appl. No.: **4,292**

[22] Filed: **Feb. 1, 1993**

[52] U.S. Cl. **D14/100; D14/113**

[58] Field of Search 248/917-924;
345/156, 173, 905; 358/249, 254, 255; D14/100,
101, 106, 113, 124-127

[56] References Cited

U.S. PATENT DOCUMENTS

D. 304,179	10/1989	Beaton et al.	D14/113
D. 310,067	8/1990	Koprowski et al.	D14/113
D. 332,946	2/1993	Kao	D14/113
D. 336,645	6/1993	Saito et al.	D14/113
D. 337,580	7/1993	Koo	D14/126

Primary Examiner—Wallace R. Burke
Assistant Examiner—Freda S. Nunn
Attorney, Agent, or Firm—Paul S. Drake

[57] CLAIM

The ornamental design for the combined integrated computer and display cover, as shown and described.

DESCRIPTION

FIG. 1 is a top front and right side perspective view of a combined integrated computer and display cover showing our new design;

FIG. 2 is a top front and right side perspective view thereof, with the front panel cover being open;

FIG. 3 is a bottom rear and left side perspective view thereof;

FIG. 4 is a front view thereof, with the front panel cover being open;

FIG. 5 is a front view thereof with the front panel cover being open and exposing another portion of the controls;

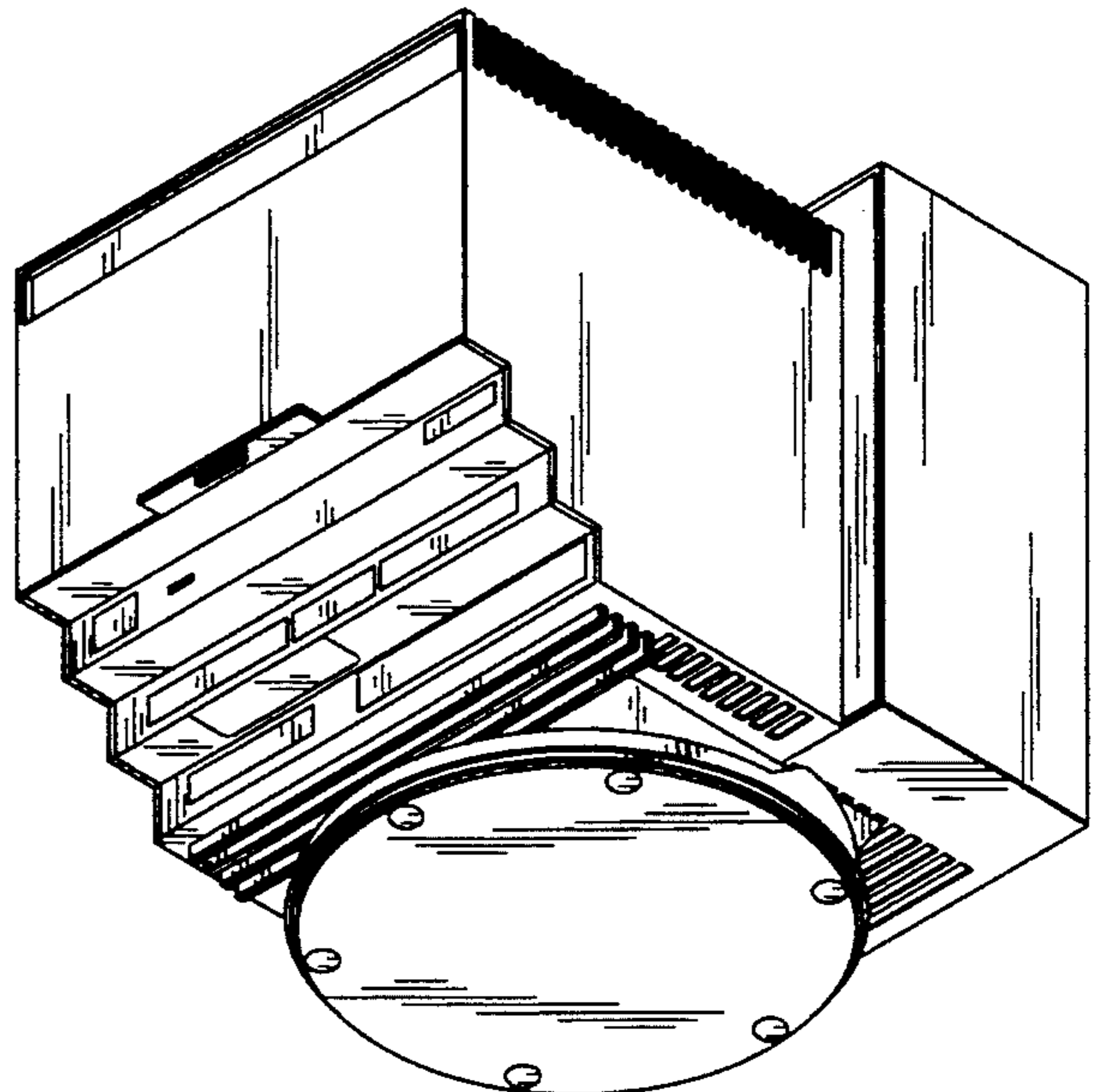
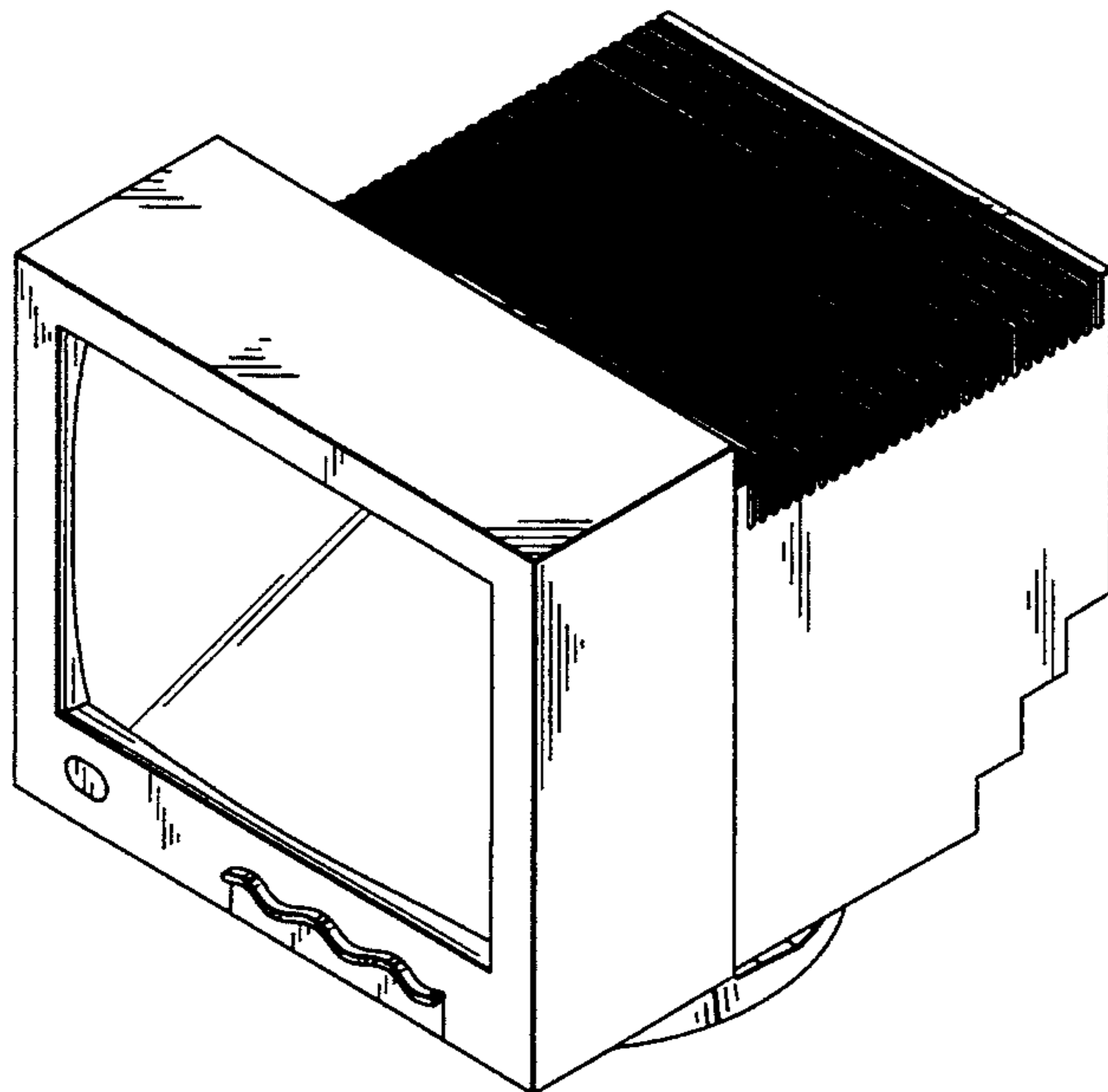
FIG. 6 is a right side view thereof;

FIG. 7 is a left side view thereof;

FIG. 8 is a rear view thereof;

FIG. 9 is a top plan view thereof; and,

FIG. 10 is a bottom plan view thereof.



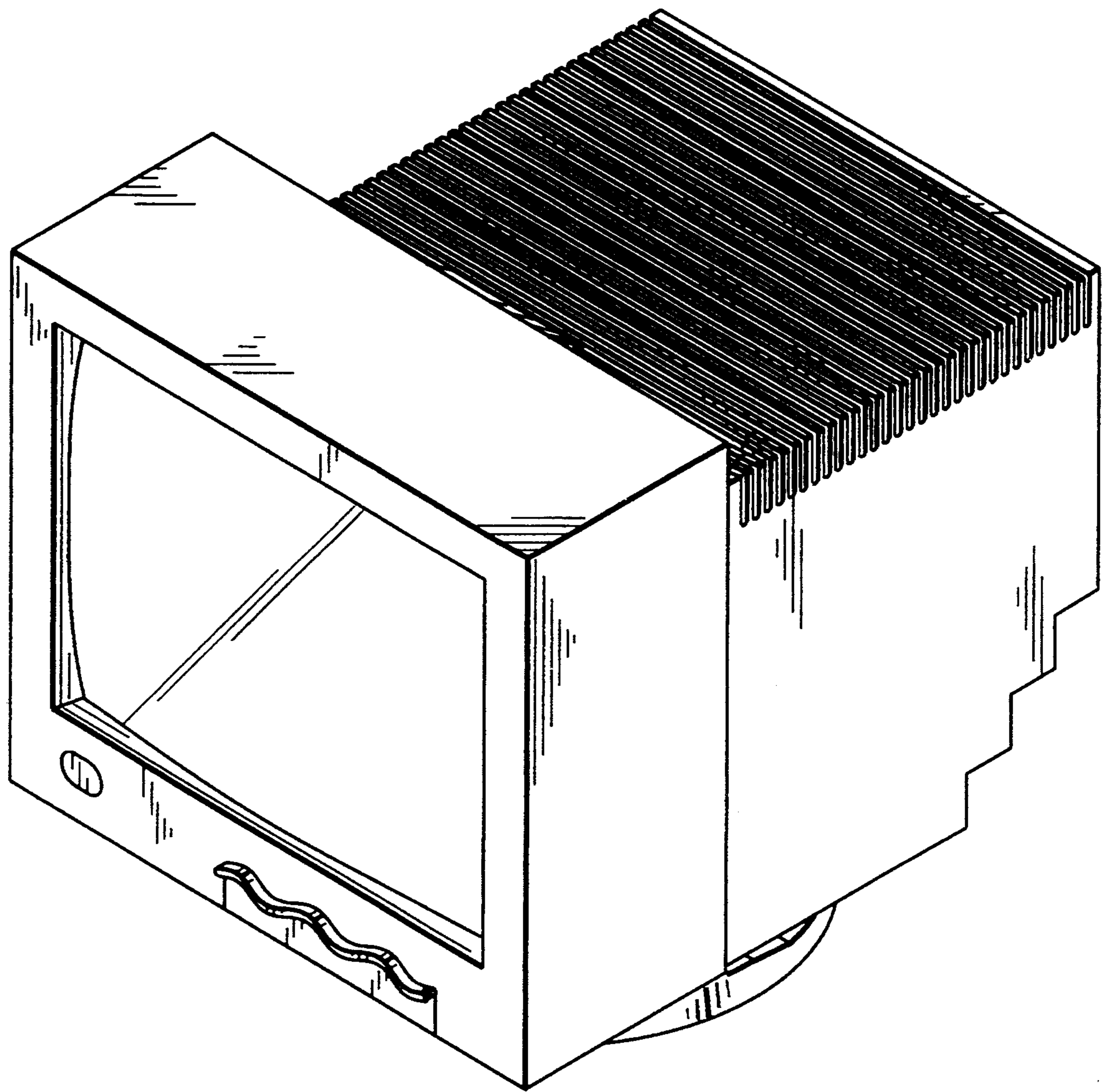


FIG. 1

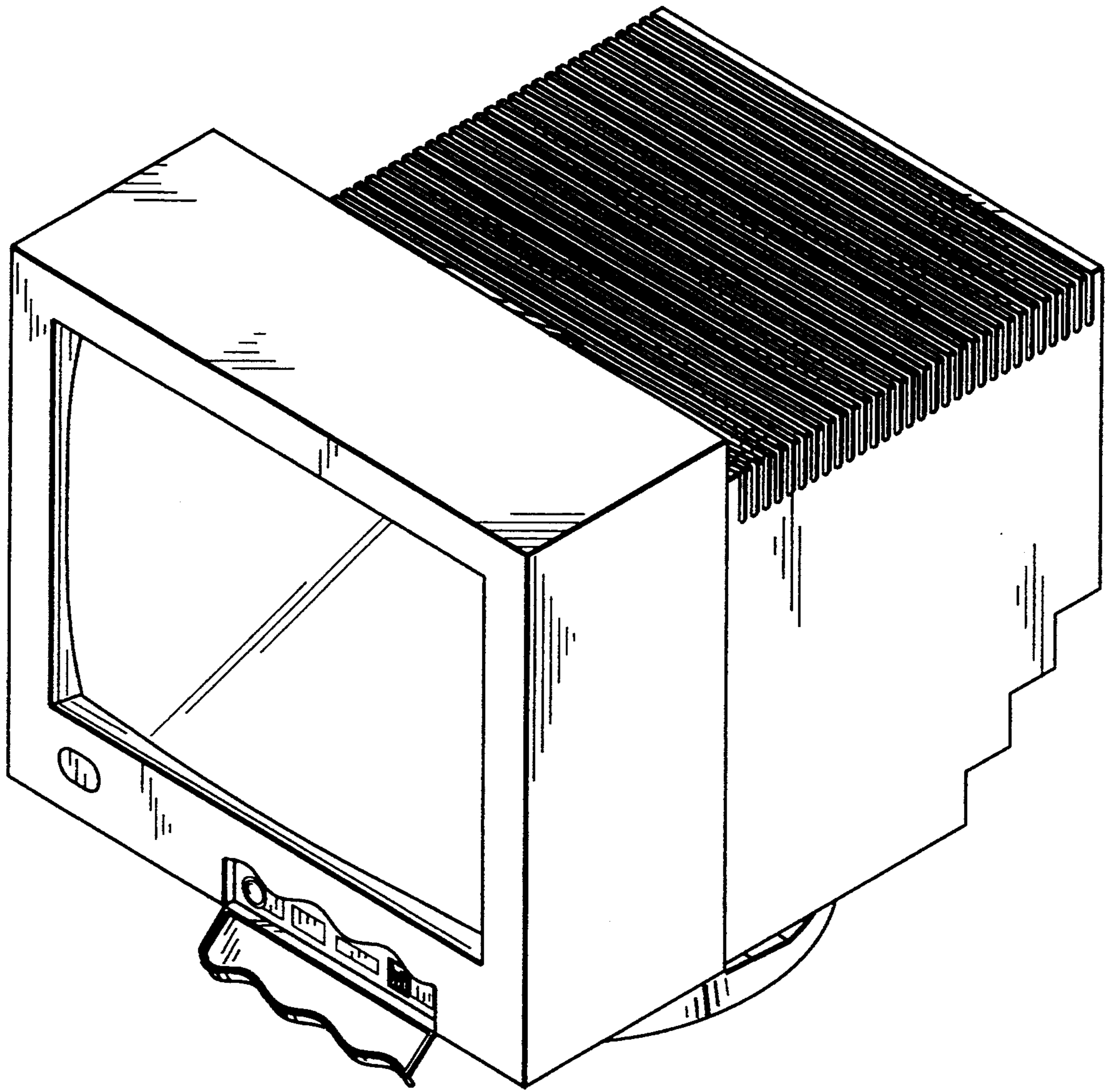


FIG. 2

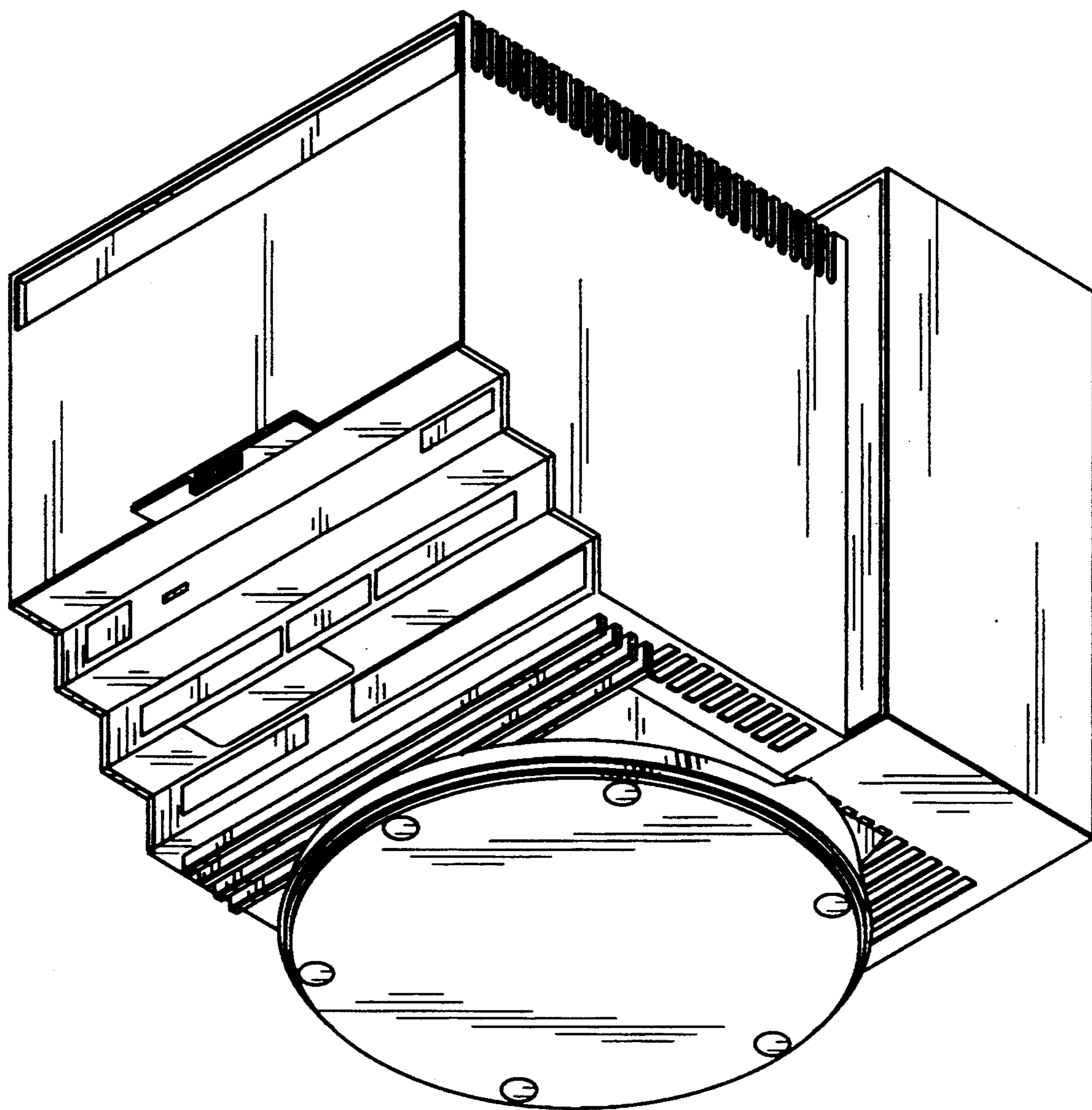


FIG. 3

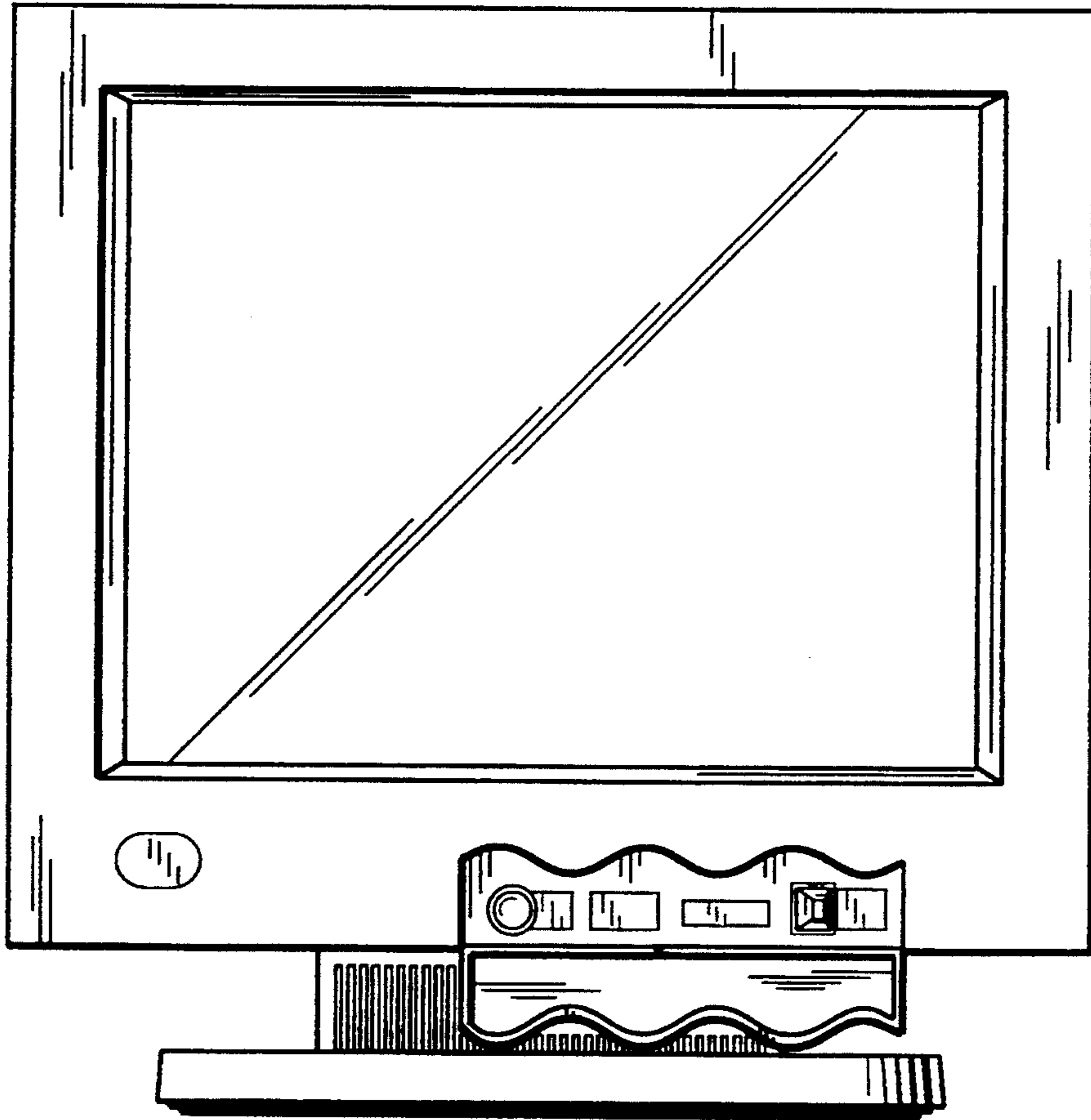


FIG. 4

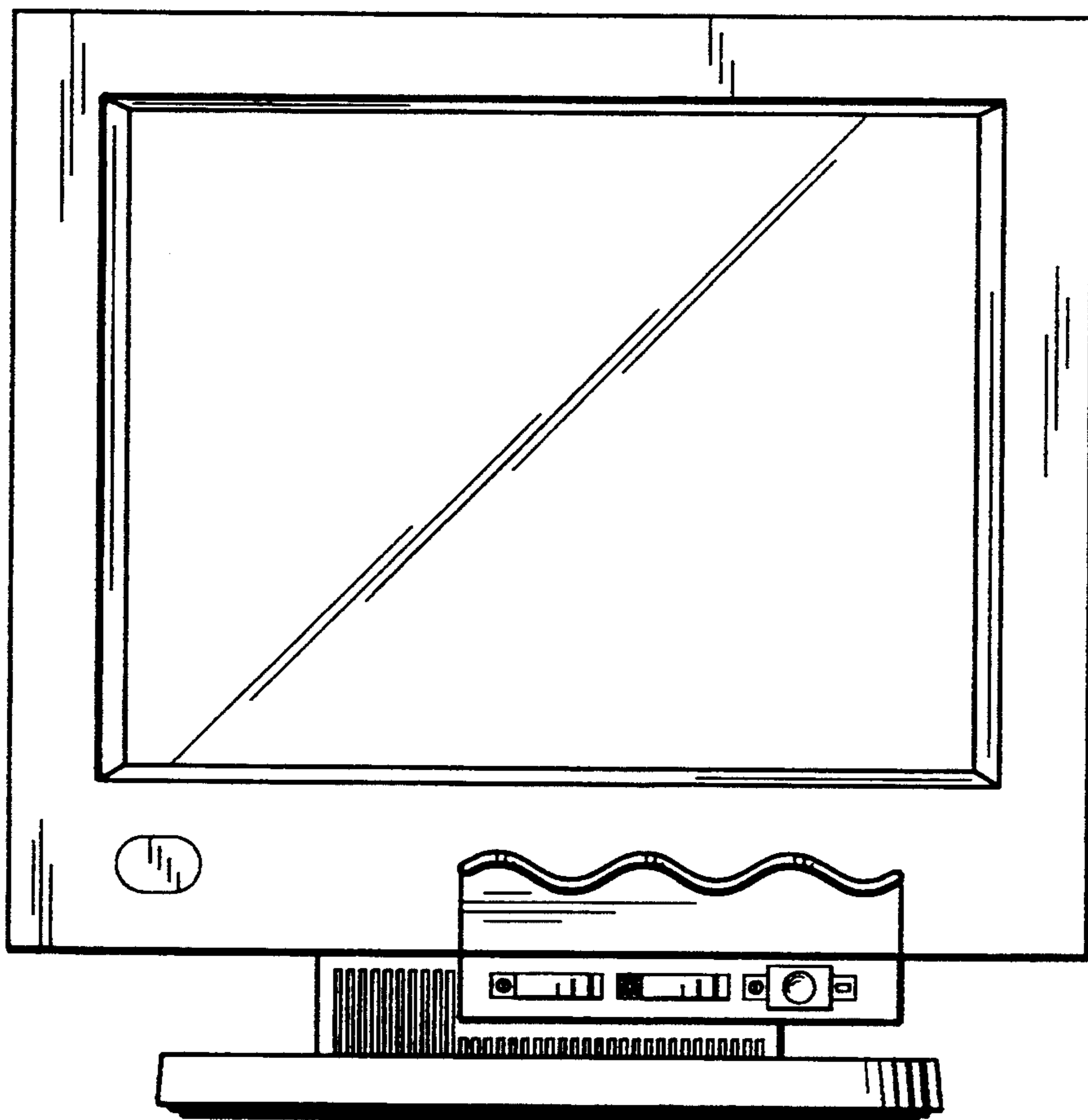


FIG. 5

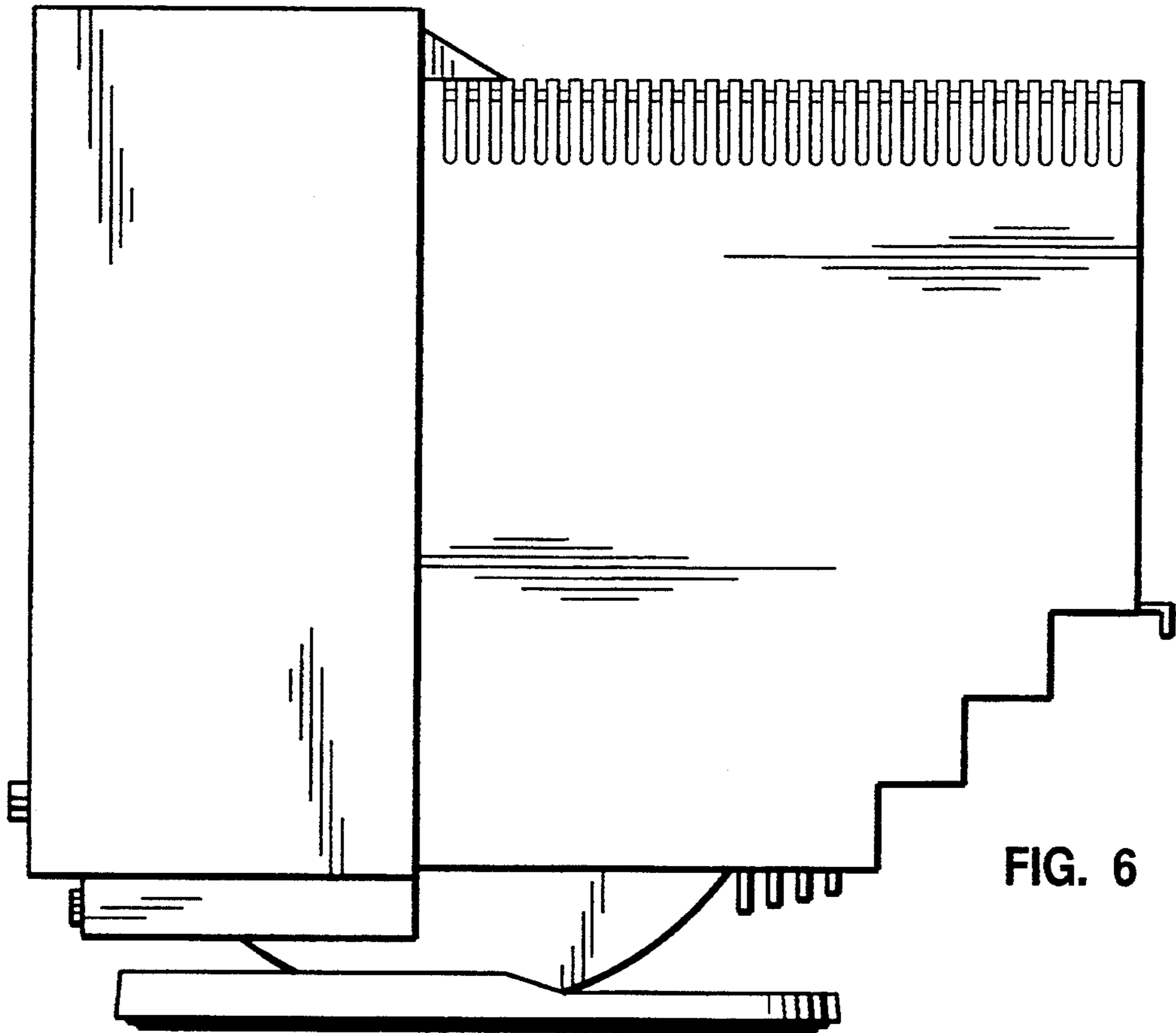


FIG. 6

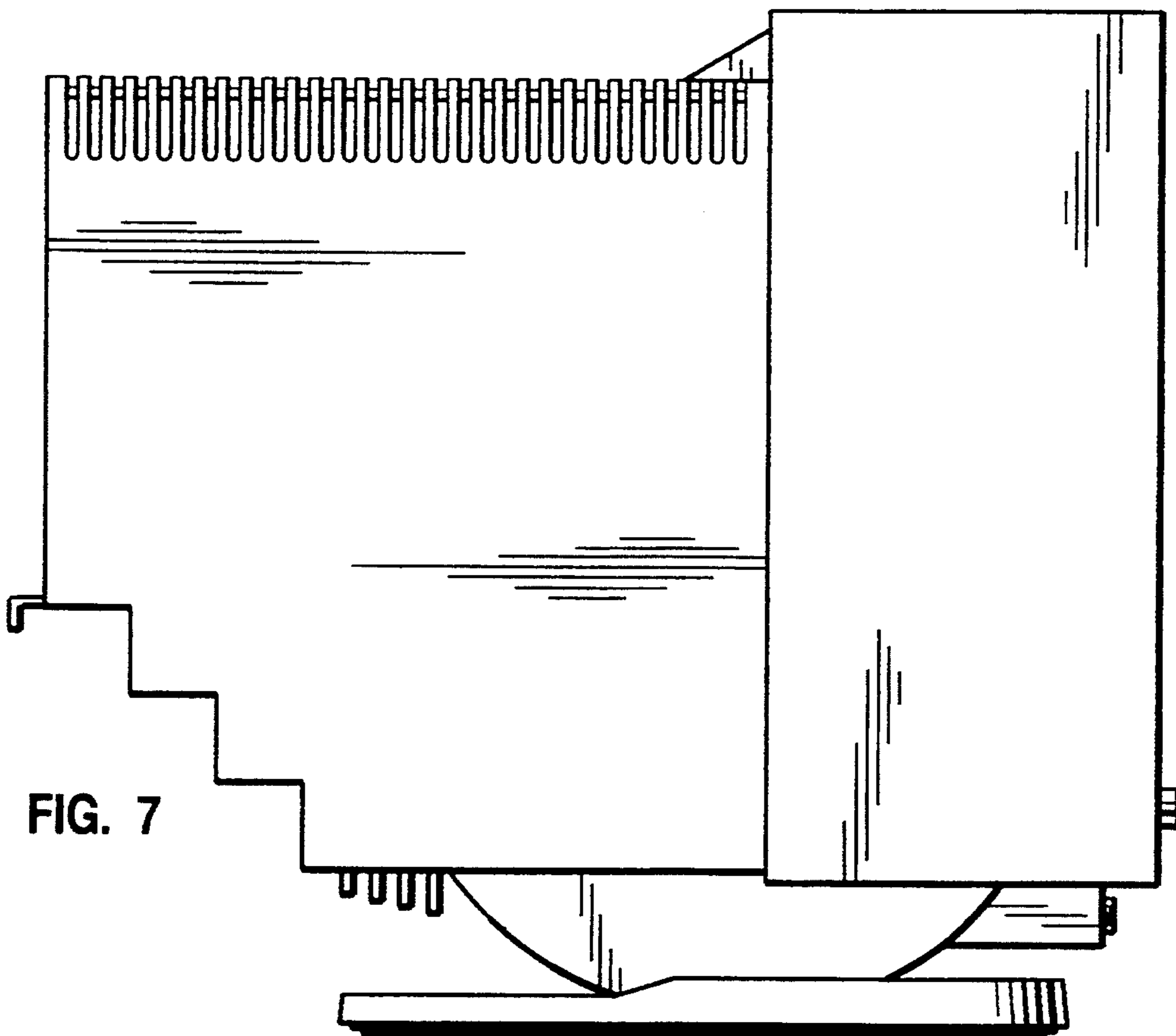


FIG. 7

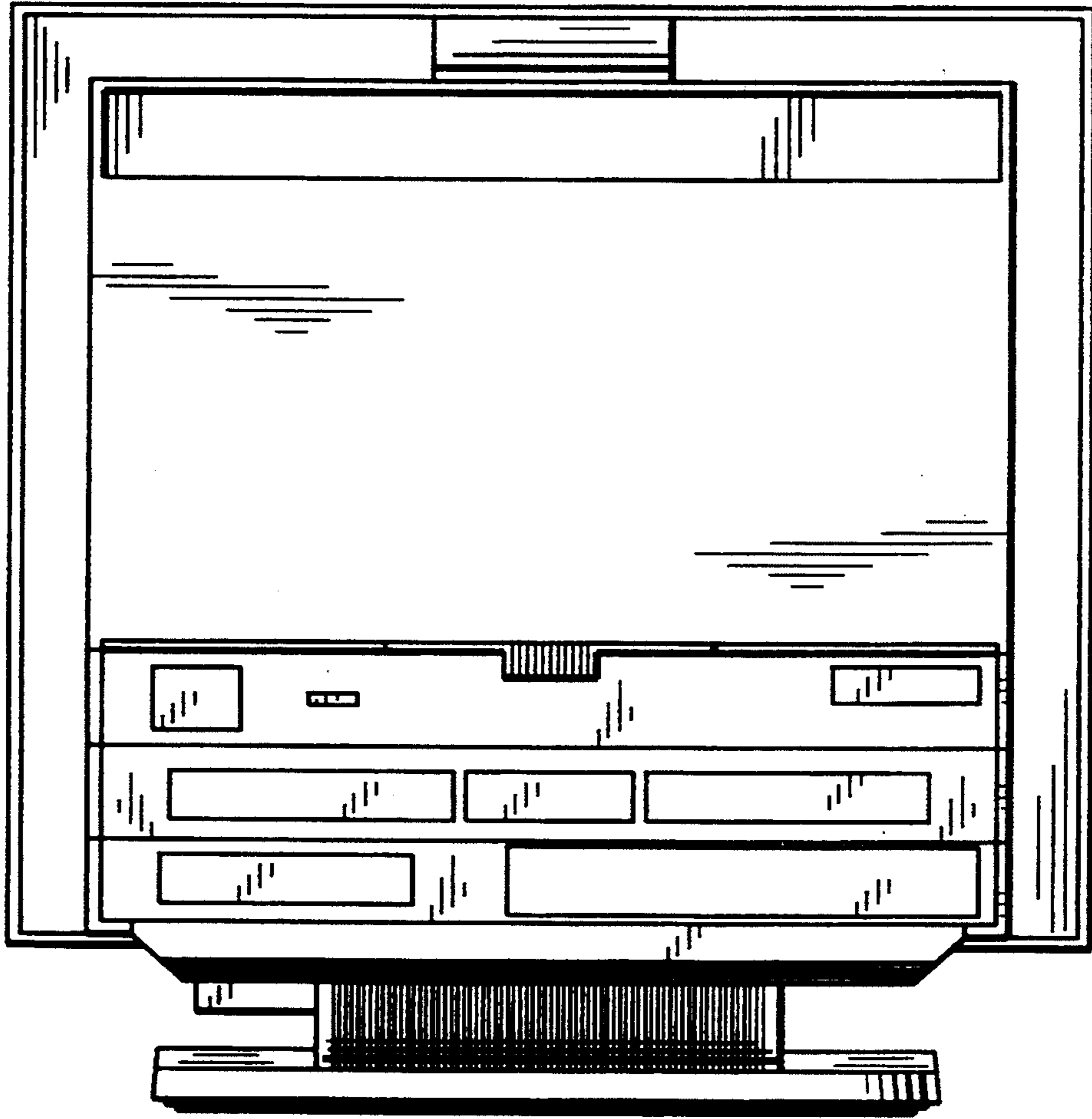


FIG. 8

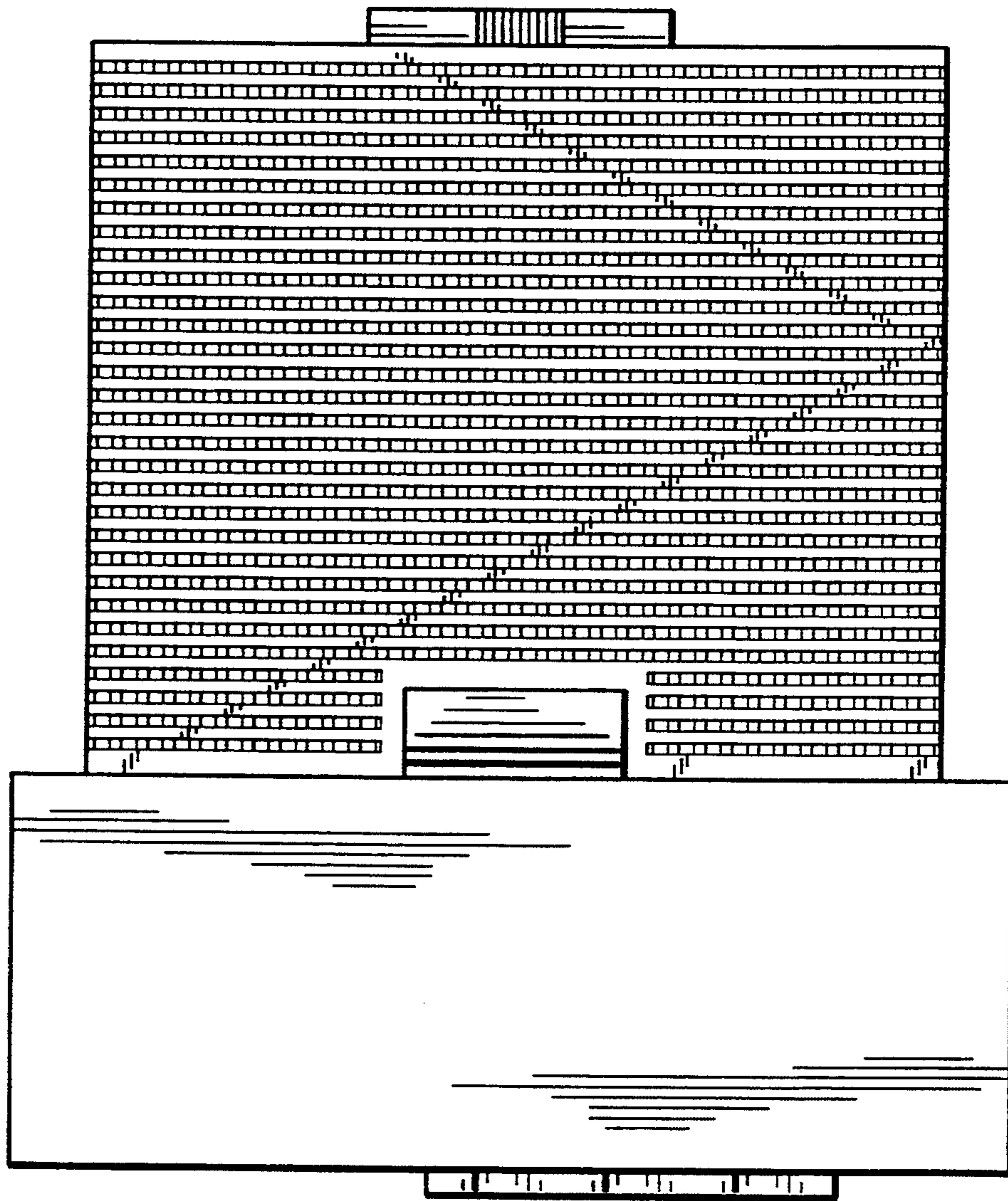


FIG. 9

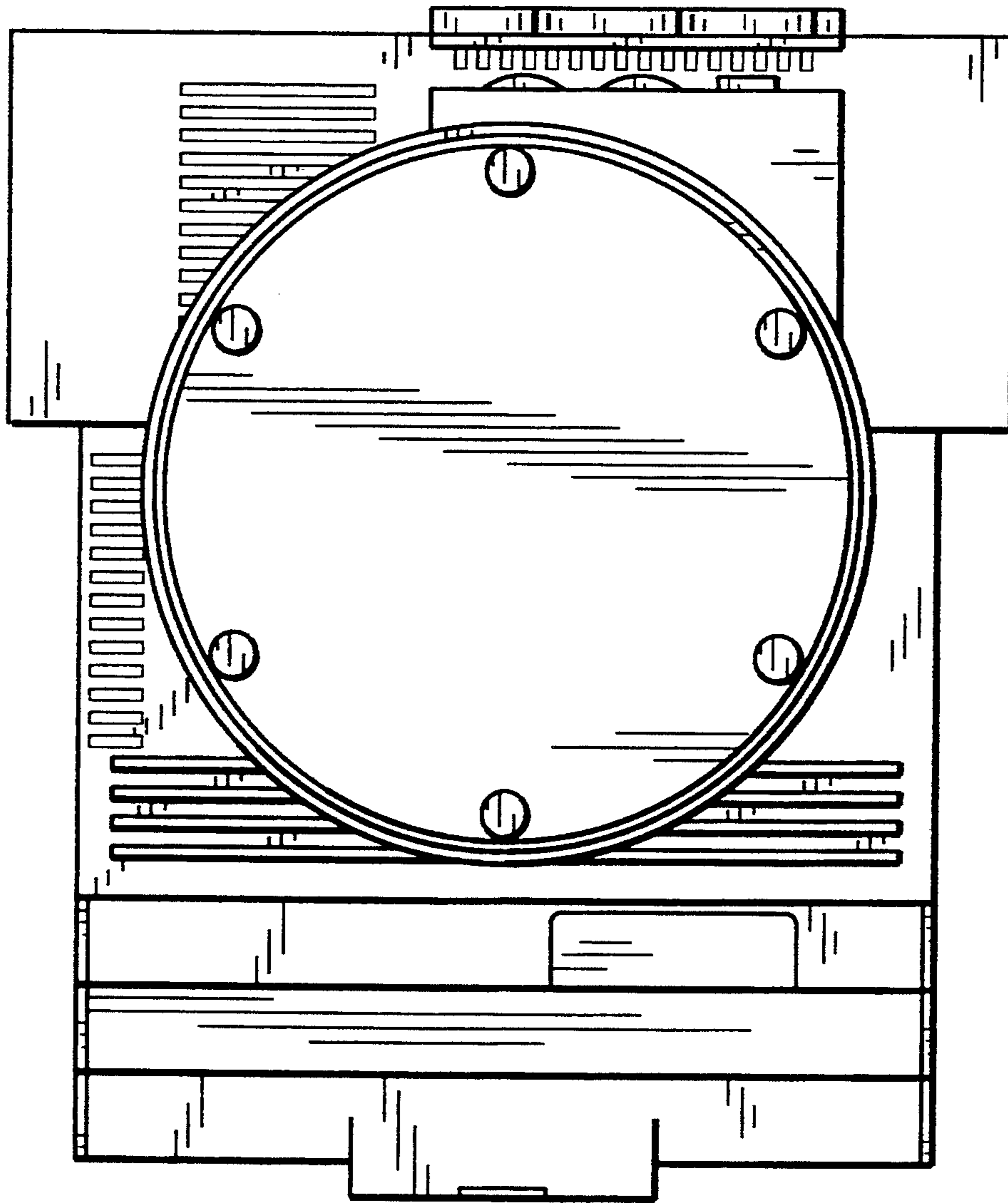


FIG. 10