



US00D349275S

United States Patent [19]

[11] Patent Number: **Des. 349,275**

Hollander

[45] Date of Patent: **** Aug. 2, 1994**

[54] ELECTRICAL CONNECTOR FOR TEMPERATURE MEASURING EQUIPMENT

[75] Inventor: **Milton B. Hollander**, Stamford, Conn.

[73] Assignee: **Omega Engineering, Inc.**, Stamford, Conn.

[*] Notice: The portion of the term of this patent subsequent to Dec. 22, 2006 has been disclaimed.

[**] Term: **14 Years**

[21] Appl. No.: **926,532**

[22] Filed: **Aug. 7, 1992**

[52] U.S. Cl. **D13/133**

[58] Field of Search 439/600, 620, 692, 912; 73/866.5; D13/133, 137, 138; D10/52, 60

[56] References Cited

U.S. PATENT DOCUMENTS

- D. 257,429 10/1980 Manno D10/60
- D. 331,909 12/1992 Hollander et al. D13/133

OTHER PUBLICATIONS

Cord connector 07145 on p. 83 of *Allied Electronics* catalog No. 900 ©1990.

Primary Examiner—Wallace R. Burke

Assistant Examiner—Joel Sincavage

Attorney, Agent, or Firm—Bruce E. Hosmer; Howard S. Reiter

[57] CLAIM

The ornamental design for an electrical connector for temperature measuring equipment, as shown and described.

DESCRIPTION

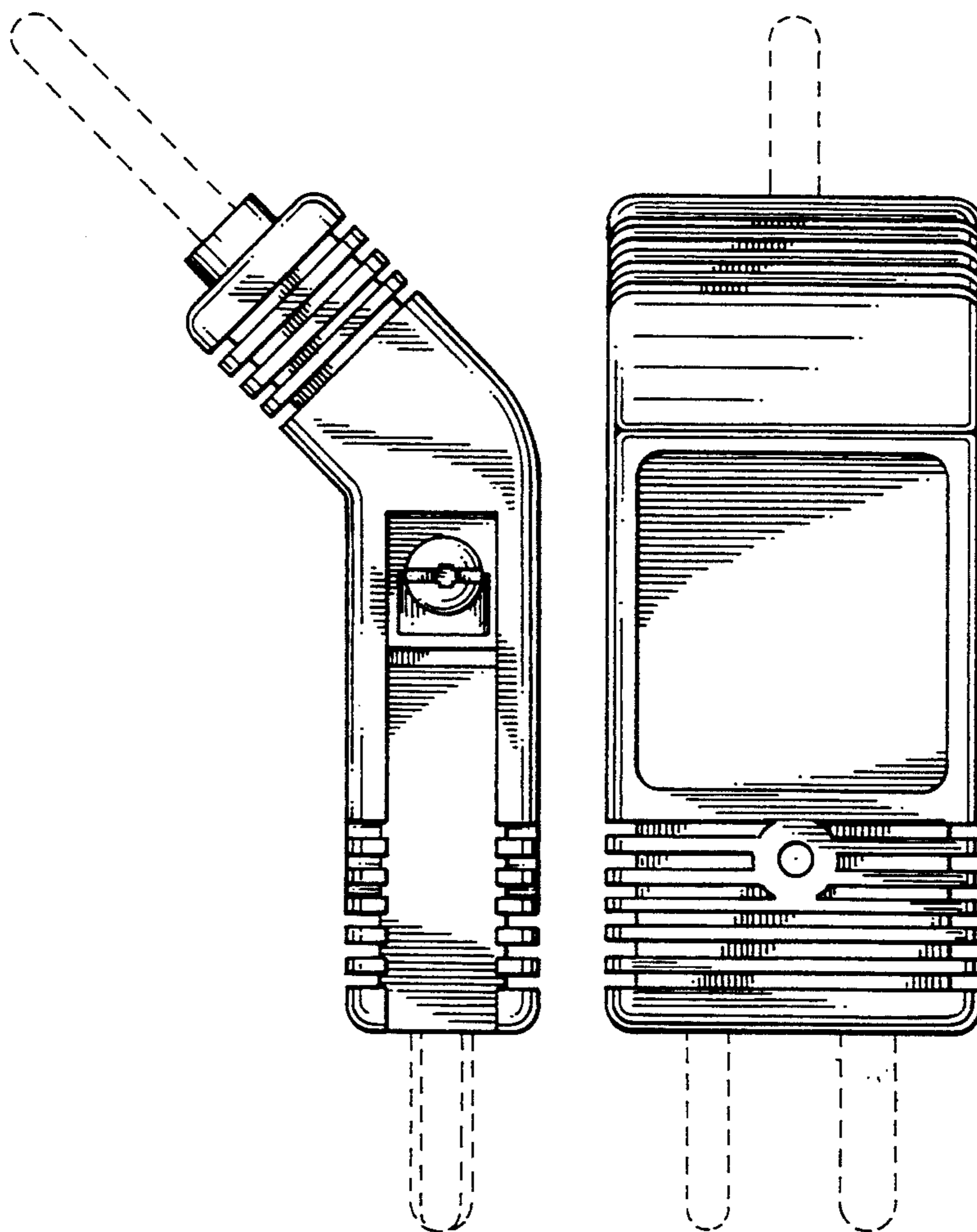
FIG. 1 is a left side elevational view of an electrical connector for temperature measuring equipment showing my new design. The broken line showing of the connector prongs is included for the purpose of illustrating environmental elements only and forms no part of the claimed design;

FIG. 2 is a front and top elevation thereof;

FIG. 3 is a back side elevational view thereof;

FIG. 4 is a top elevation view thereof; and,

FIG. 5 is a bottom elevation view thereof.



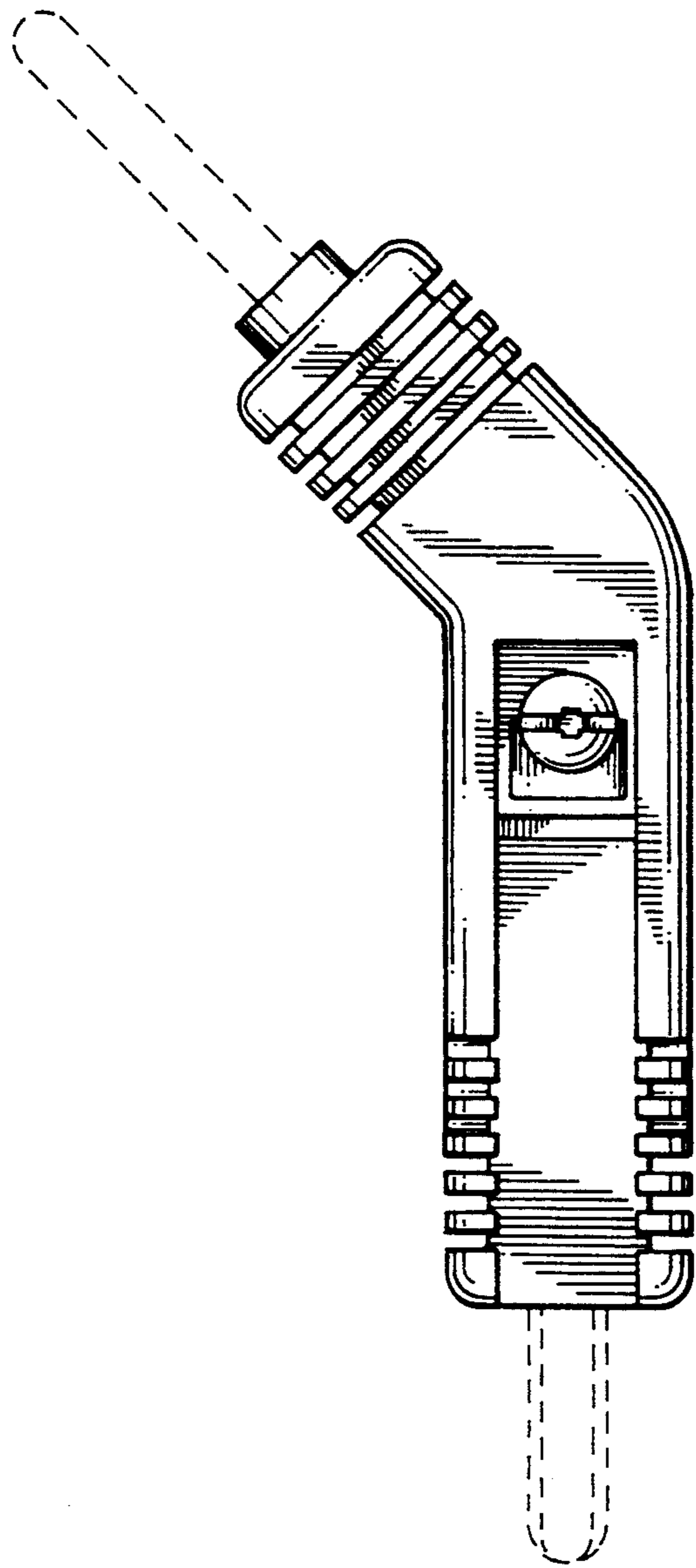


FIG. 1

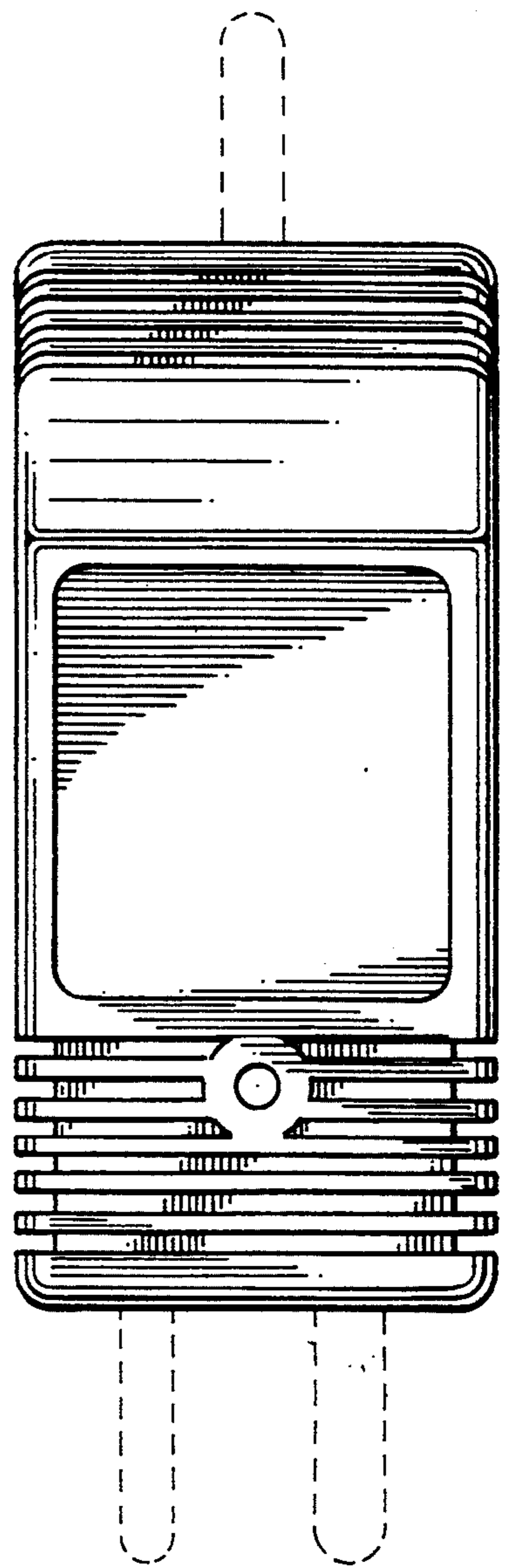


FIG. 2

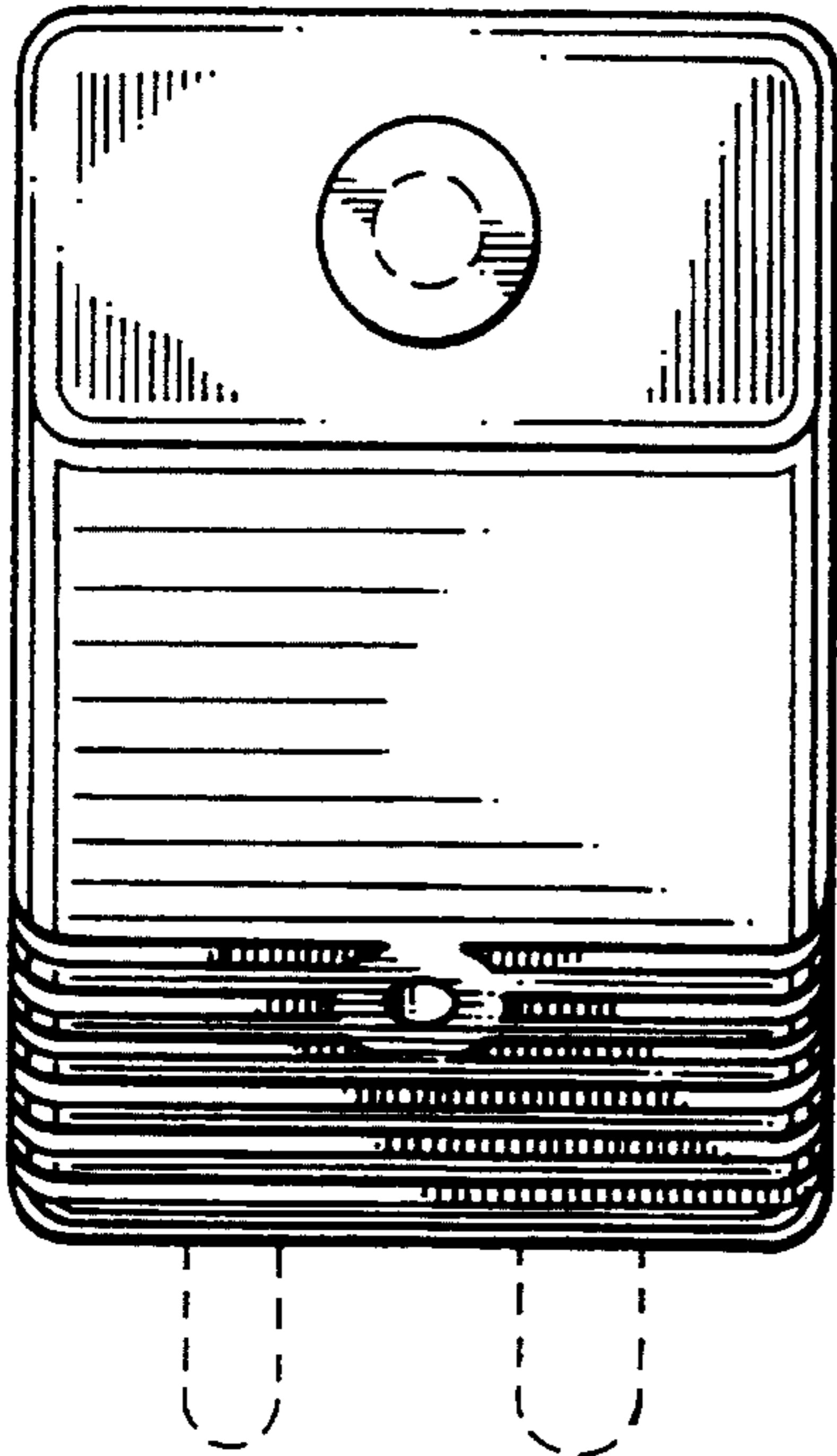


FIG. 4

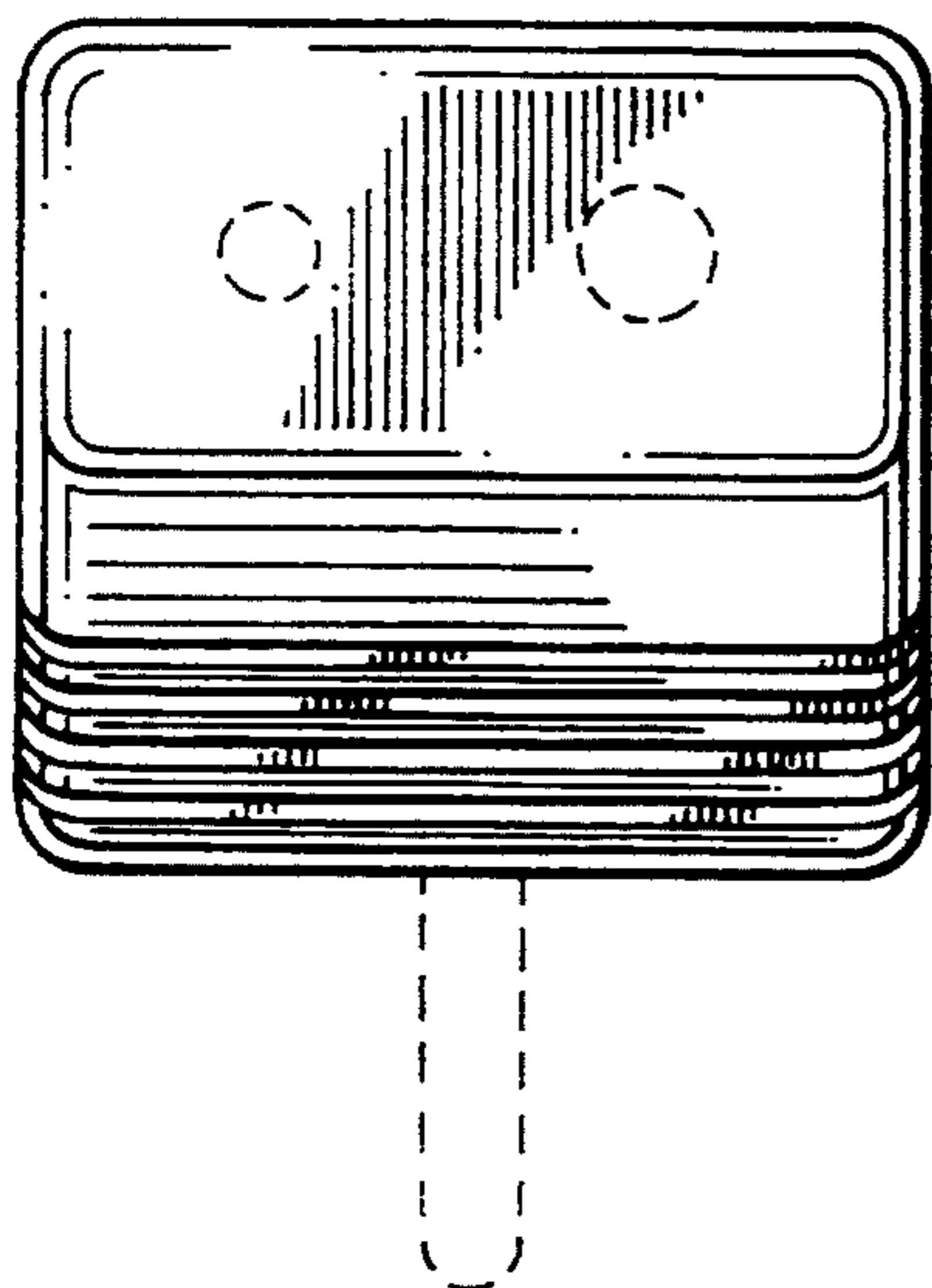


FIG. 5

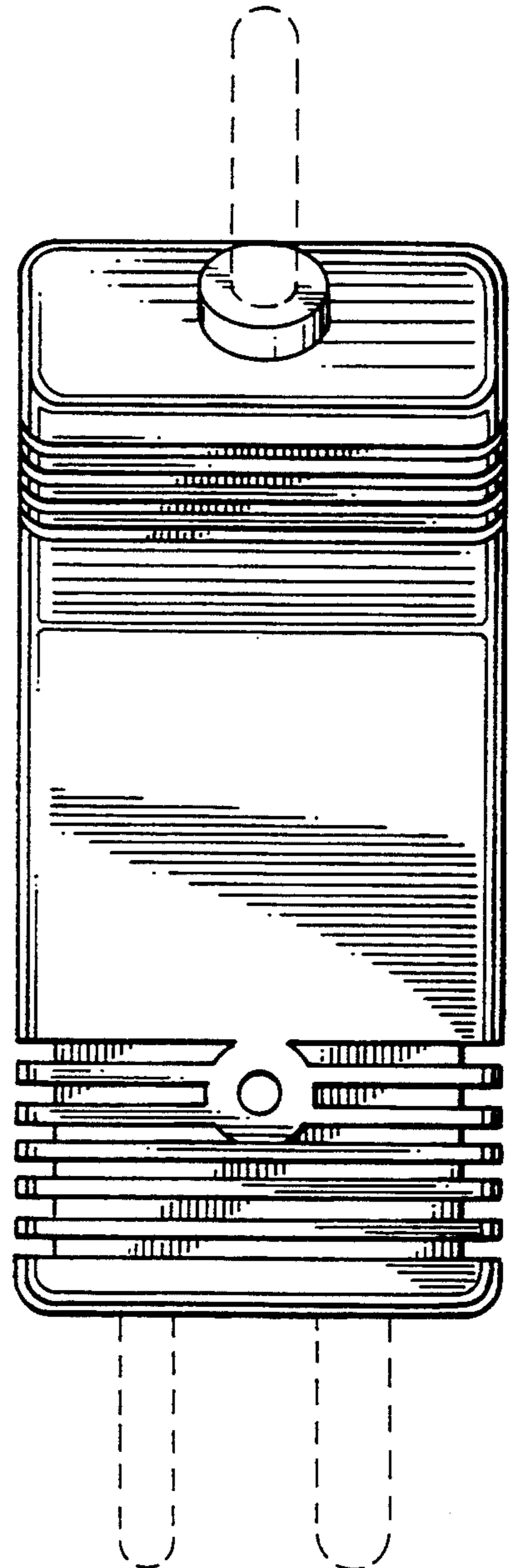


FIG. 3