



US00D349273S

United States Patent [19]

[11] Patent Number: **Des. 349,273**

Taylor

[45] Date of Patent: **** Aug. 2, 1994**

[54] **BATTERY CHARGER**

5,262,710 11/1993 Taylor 320/2

[75] Inventor: **Terrance N. Taylor, Barrington, Ill.**

Primary Examiner—Wallace R. Burke

[73] Assignee: **Motorola, Inc., Schaumburg, Ill.**

Assistant Examiner—Joel Sincavage

[**] Term: **14 Years**

Attorney, Agent, or Firm—Kirk W. Dailey

[21] Appl. No.: **6,127**

[57] **CLAIM**

The ornamental design for a battery charger, as shown and described.

[22] Filed: **Mar. 22, 1993**

DESCRIPTION

[52] U.S. Cl. **D13/108**

FIG. 1 is a front, top, and right side perspective view showing my new design for a battery charger in full lines, with the broken line matter being for illustrative purposes only and forming no part of the claimed design;

[58] Field of Search 320/1, 2, 3, 4, 5, 15, 320/21; D13/107, 108, 110

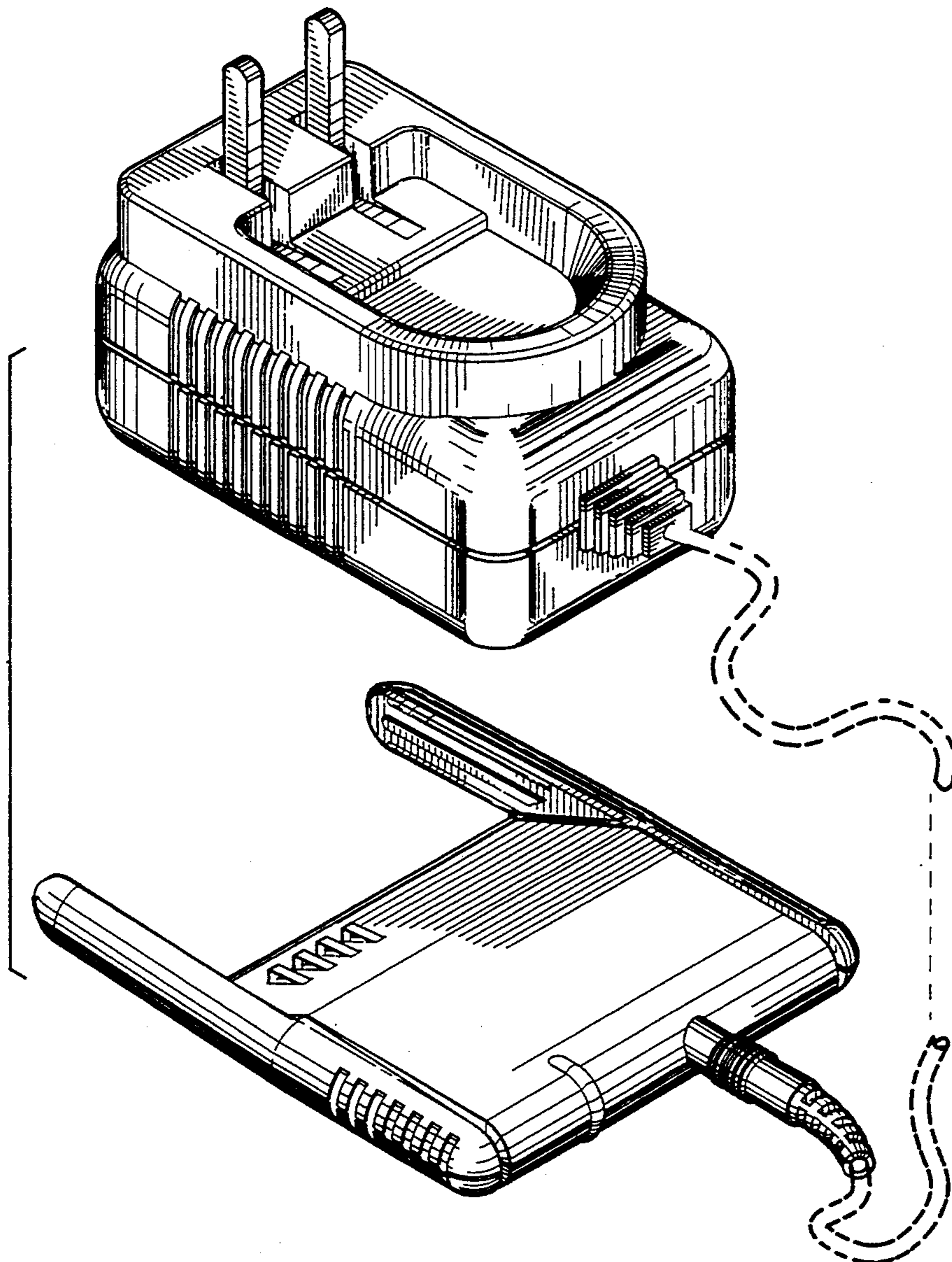
FIG. 2 is a left elevational view thereof;

[56] **References Cited**

U.S. PATENT DOCUMENTS

- D. 247,619 3/1978 Edgell et al. D13/103
- D. 250,469 12/1978 Kelly, III et al. D13/107

FIG. 3 is a bottom plan view thereof; and, FIG. 4 is a rear elevational view thereof.



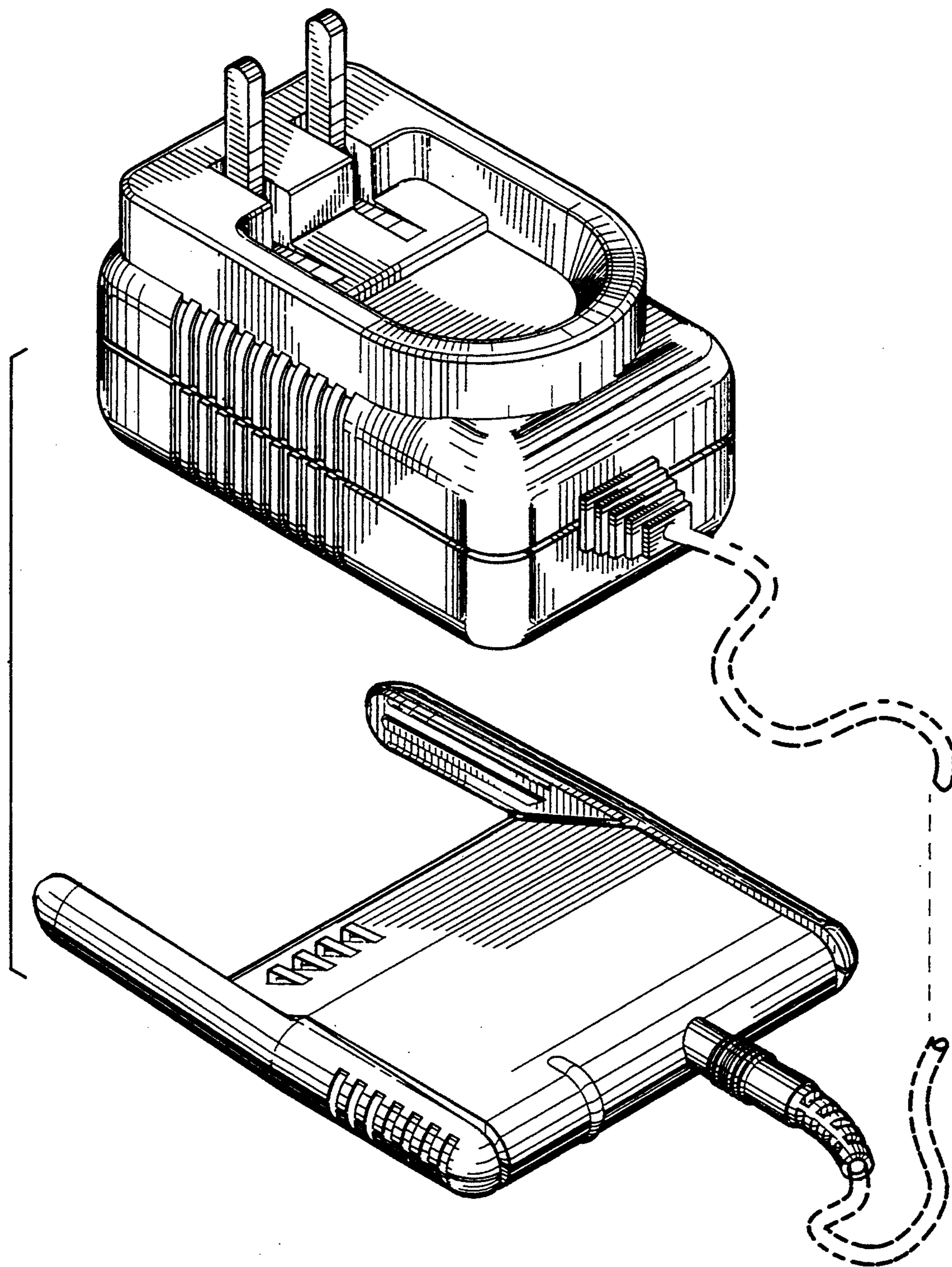


FIG.1

FIG.3

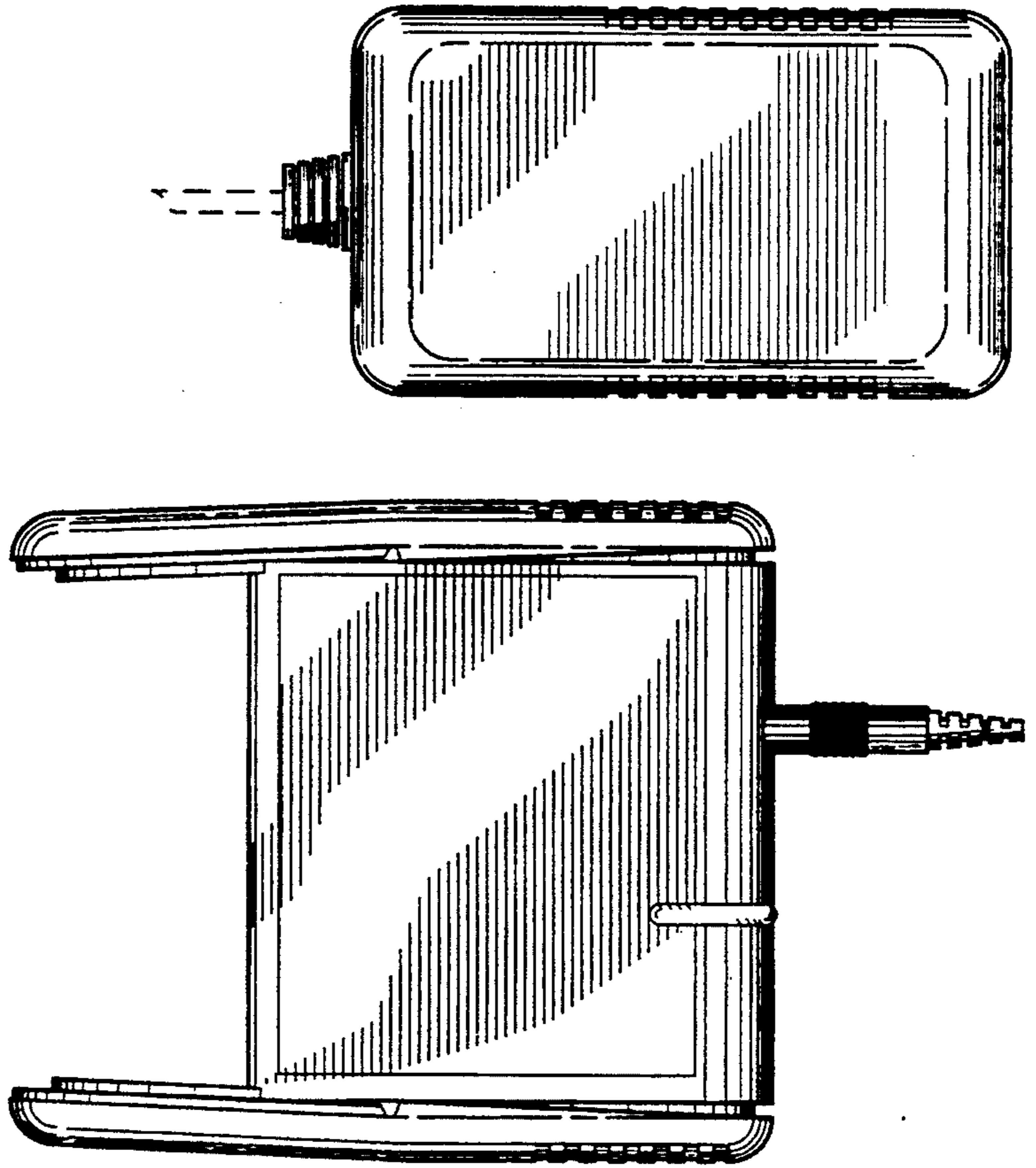


FIG.4

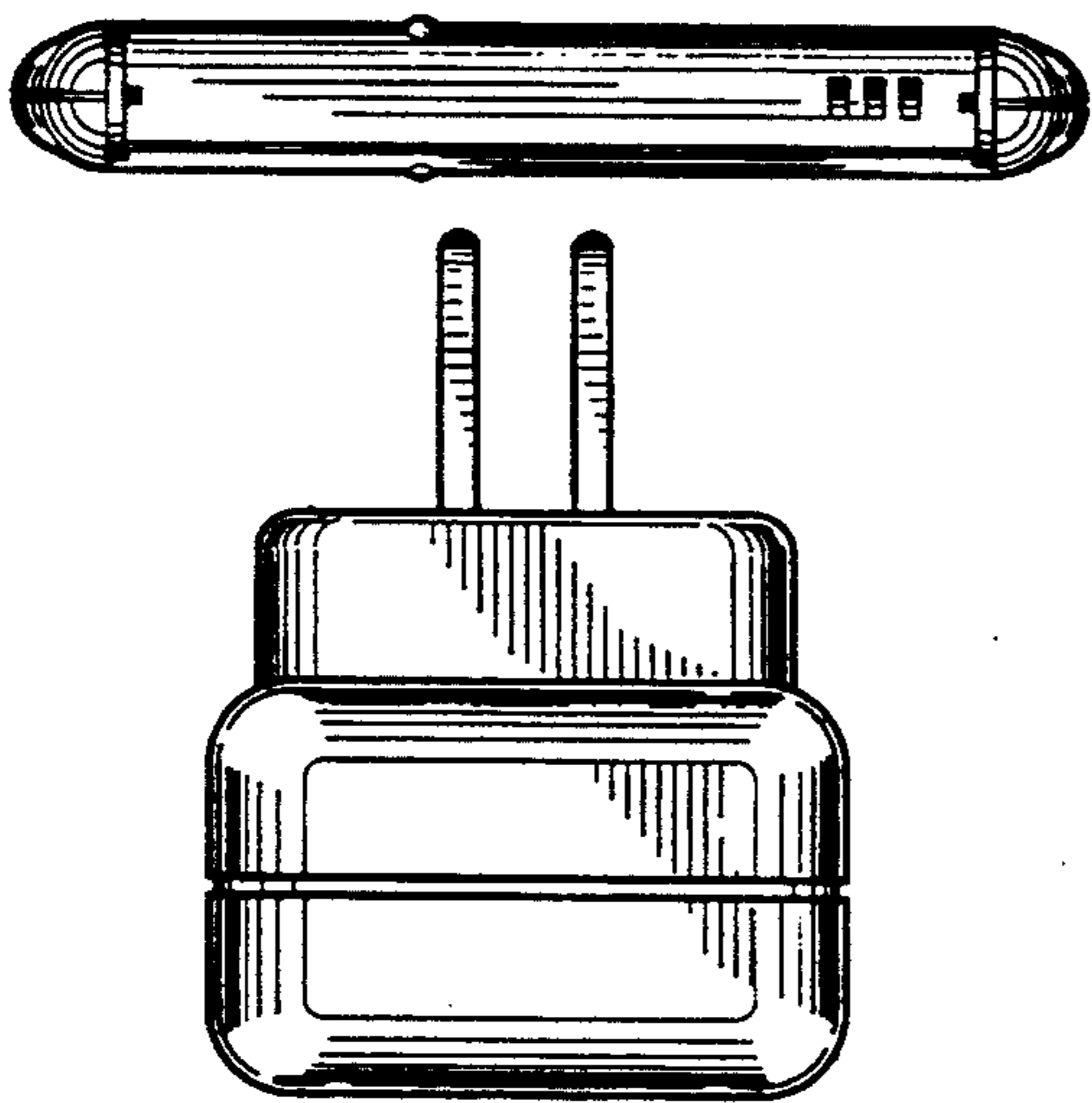


FIG.2

