



US00D349272S

# United States Patent [19]

[11] Patent Number: **Des. 349,272**

Sage

[45] Date of Patent: **\*\* Aug. 2, 1994**

[54] **BATTERY CHARGER FOR A TRAPEZOIDAL BATTERY**

[76] Inventor: **George E. Sage**, 22002 Redmond-Fall City Rd., Redmond, Wash. 98053

[\*\*] Term: **14 Years**

[21] Appl. No.: **15,494**

[22] Filed: **Nov. 18, 1993**

[52] U.S. Cl. .... **D13/107**

[58] Field of Search ..... 320/1, 2, 3, 4, 5, 15, 320/21; D13/107, 108

[56] **References Cited**

**U.S. PATENT DOCUMENTS**

D. 201,084	5/1965	Bradshaw et al. ....	D13/107
D. 213,111	1/1969	Jaffe .....	D13/107
D. 292,912	11/1987	Muller et al. ....	D13/108
D. 336,631	6/1993	Ivester .....	D13/108
D. 337,986	8/1993	Brunner et al. ....	D13/108
3,183,891	5/1965	MacDonald .....	D13/108 X

**OTHER PUBLICATIONS**

Drawings of Skill charger stands 92010 and 92901.

*Primary Examiner*—Wallace R. Burke

*Assistant Examiner*—Joel Sincavage

*Attorney, Agent, or Firm*—Roy E. Mattern, Jr.

[57] **CLAIM**

The ornamental design for a battery charger for a trapezoidal battery, as shown and described.

**DESCRIPTION**

FIG. 1 is a perspective view of a battery charger for a trapezoidal battery showing my new design. The broken line showing of the battery and the accompanying lead lines are included for the purpose of illustrating environmental elements only and form no part of the claimed design;

FIG. 2 is a top view thereof;

FIG. 3 is a bottom view thereof;

FIG. 4 is a right side view thereof;

FIG. 5 is a left side view thereof;

FIG. 6 is a front view thereof; and,

FIG. 7 is a back view thereof.

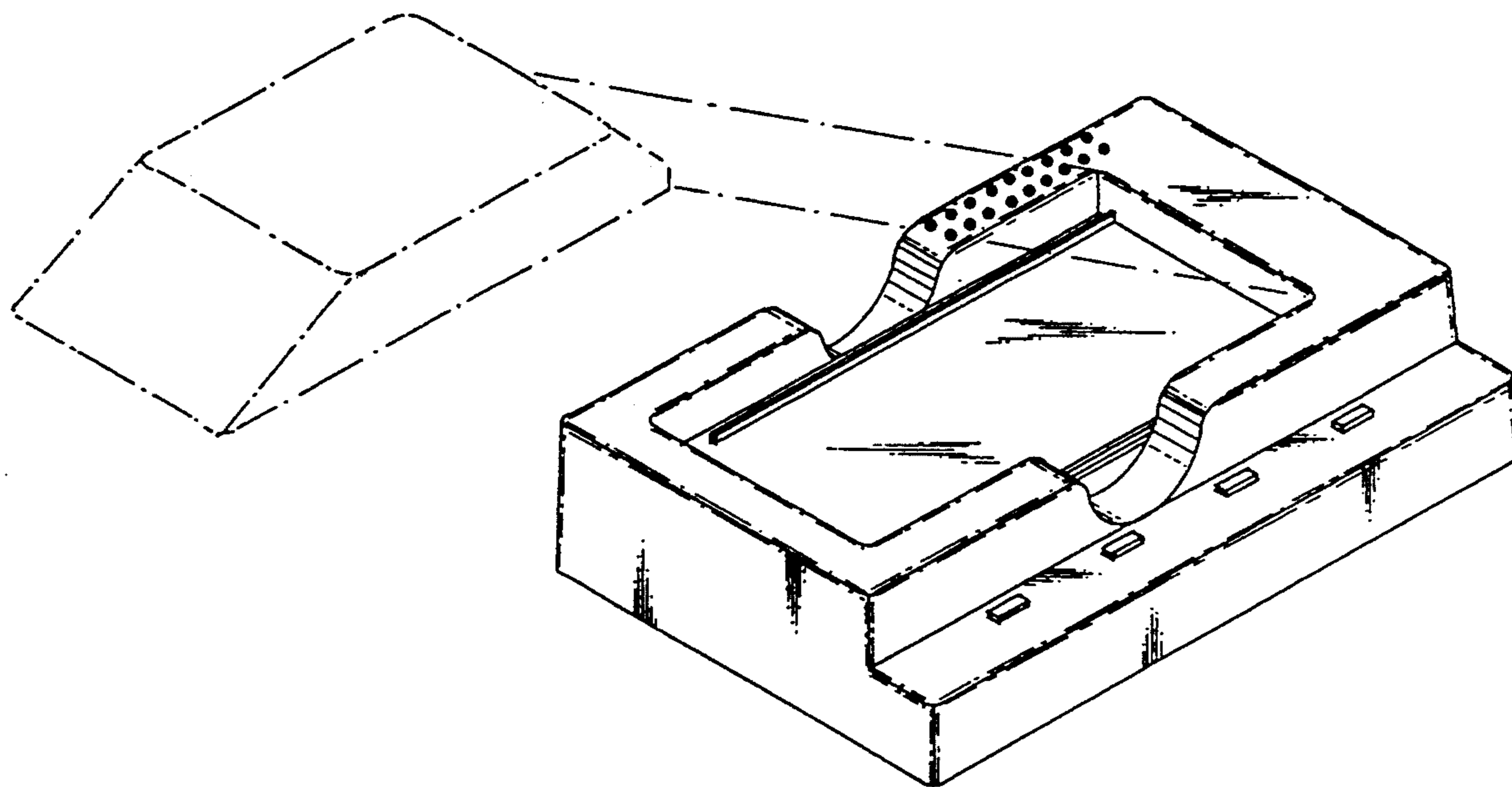


FIG. 1

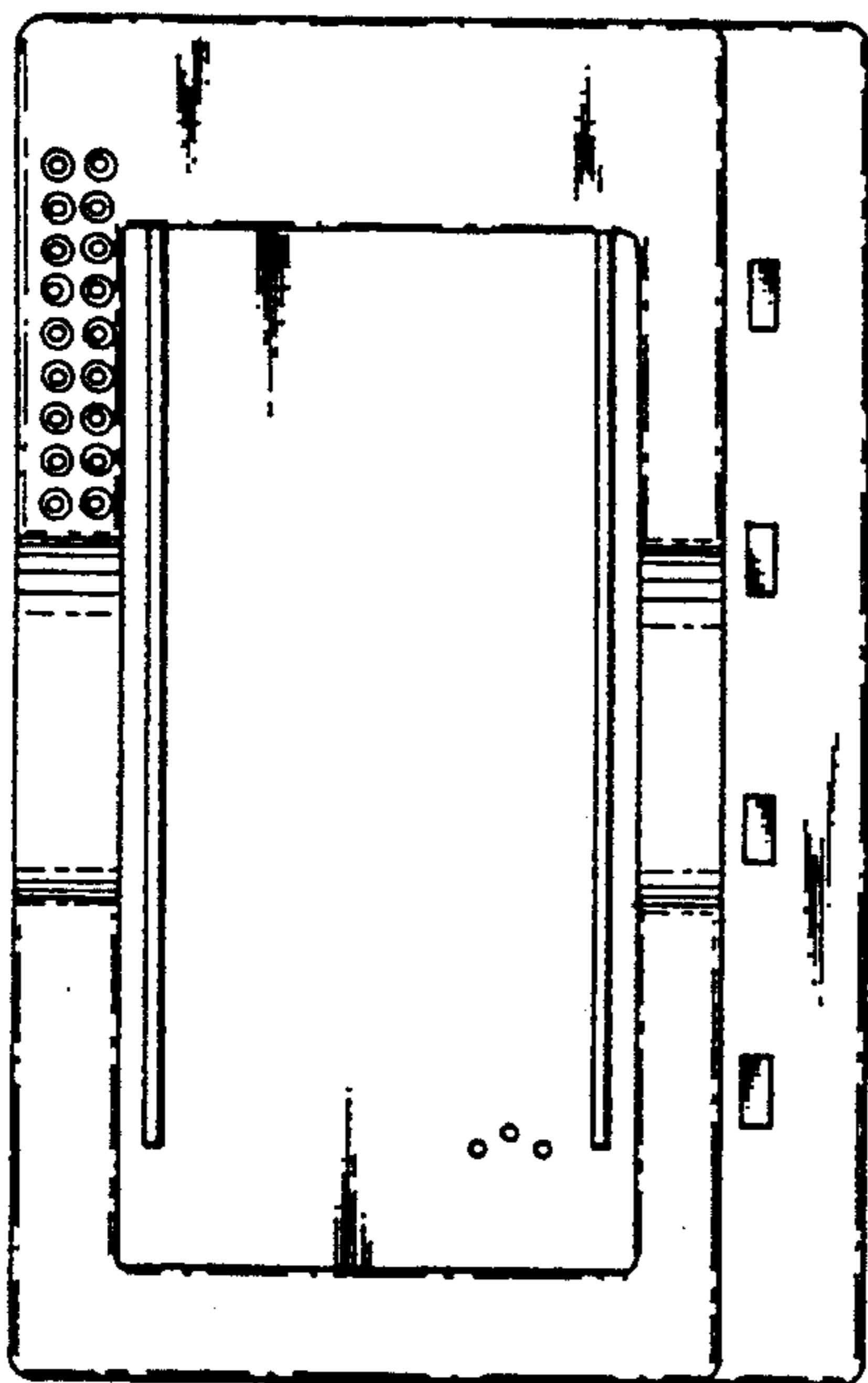
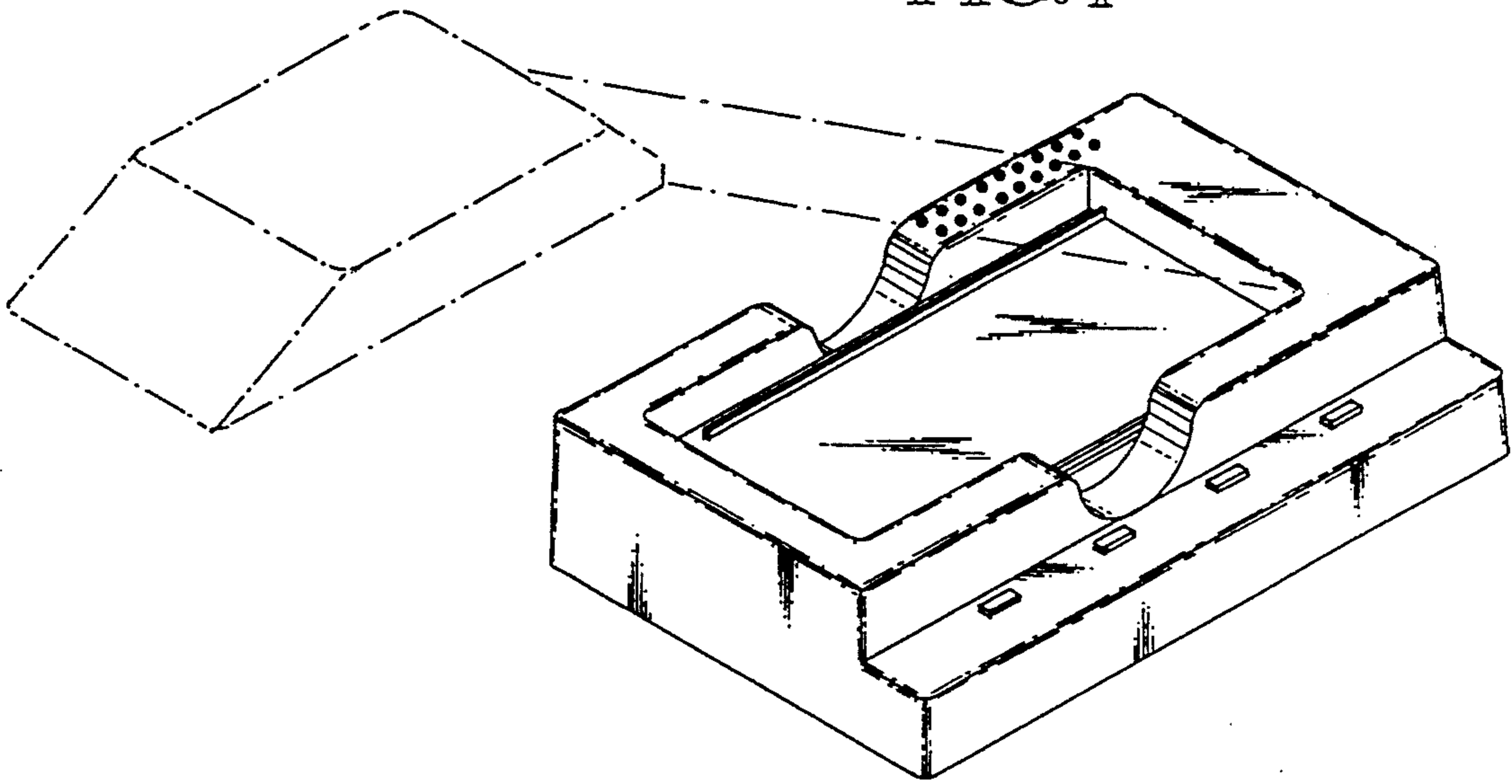


FIG. 2

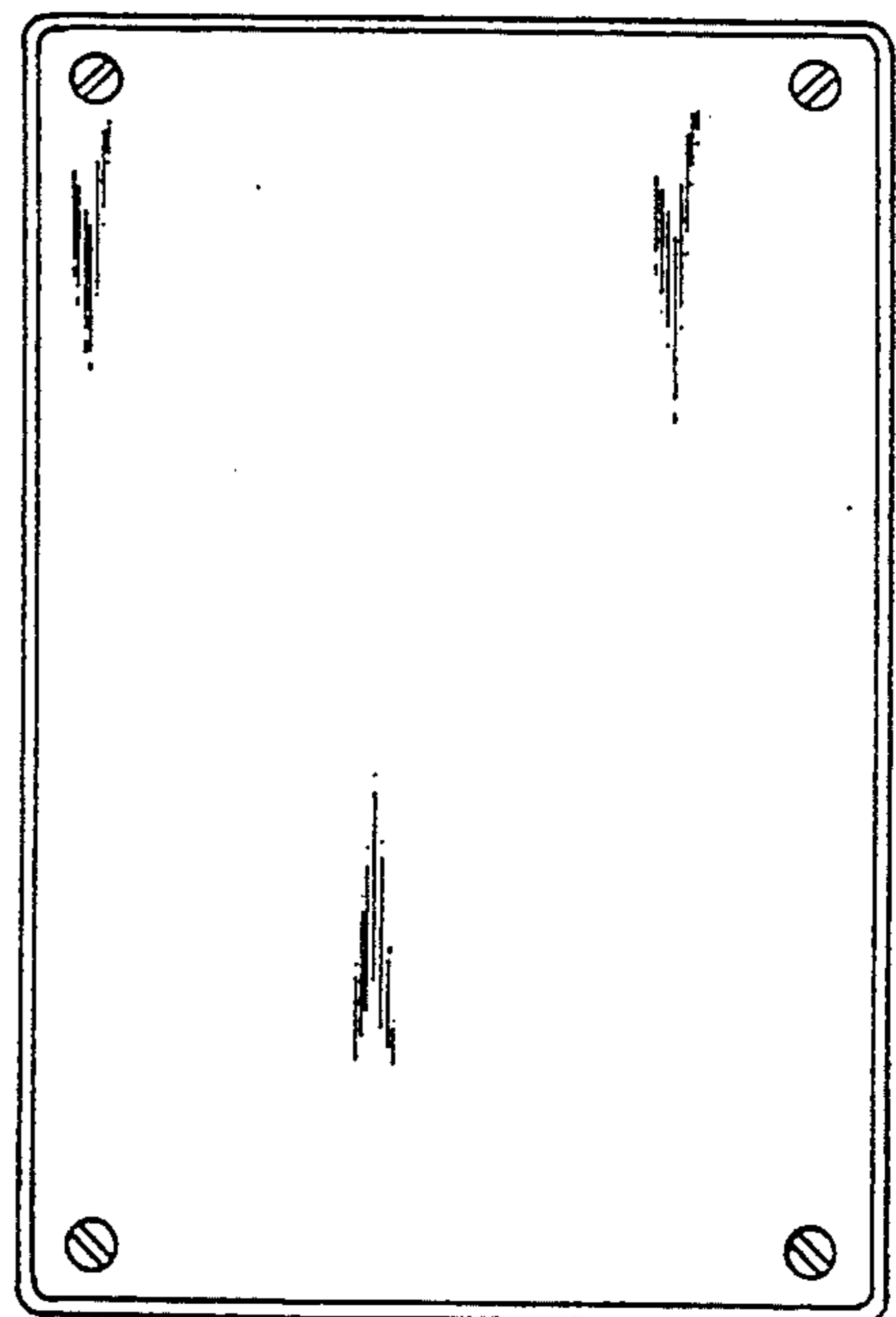


FIG. 3

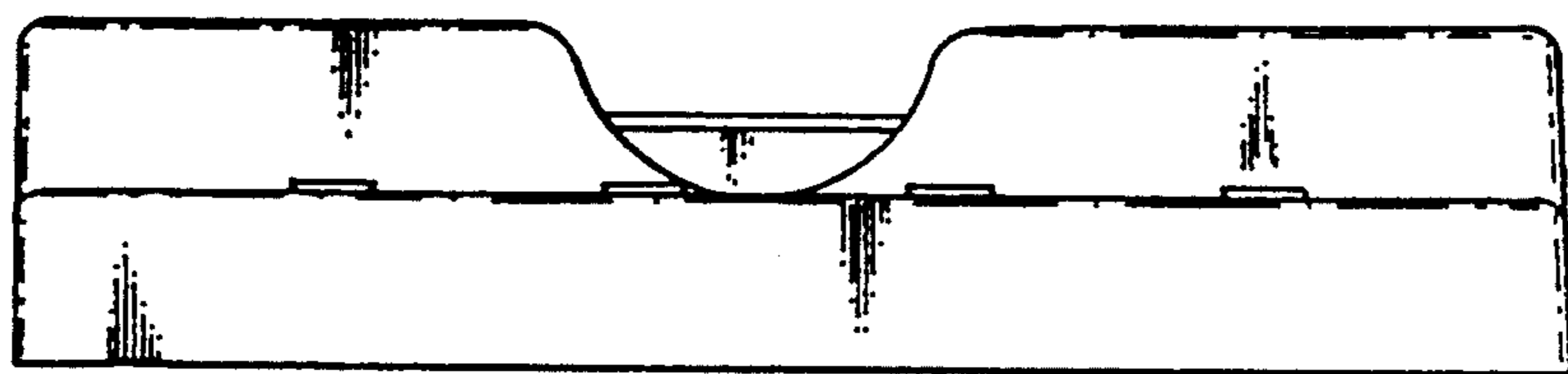


FIG. 4

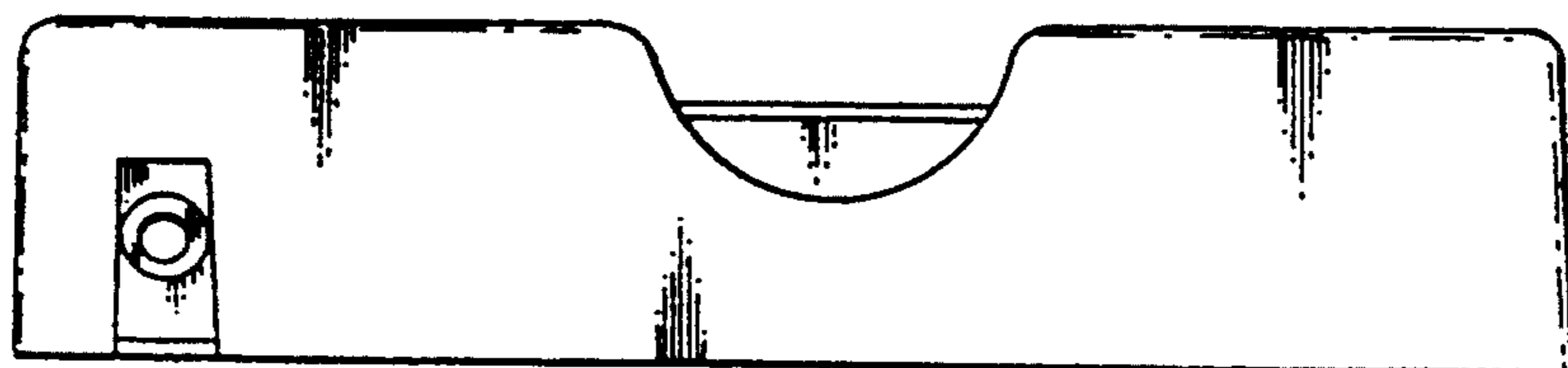


FIG. 5

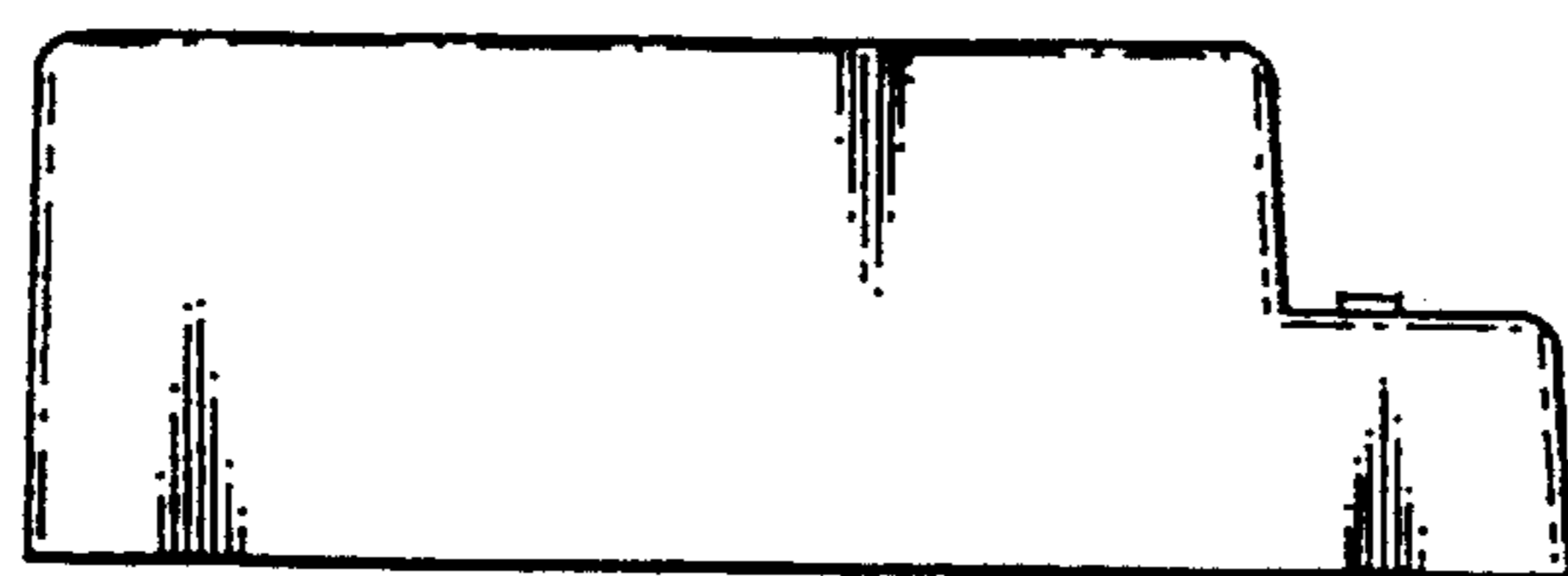


FIG. 6

FIG. 7

