



US00D349265S

# United States Patent [19]

[11] Patent Number: **Des. 349,265**

Patton

[45] Date of Patent: **\*\* Aug. 2, 1994**

[54] **VEHICLE FOR CLEARING SNOW AND ICE FROM ROADWAYS**

4,271,617	6/1981	Yoshizawa .....	37/227
4,785,561	11/1988	Swanson .....	37/228
4,813,165	3/1989	Pelazza .....	37/228
5,075,987	12/1991	Akuzama et al. ....	37/227

[76] Inventor: **John M. Patton, Box G, Hillsboro, Ill. 62049**

*Primary Examiner*—Wallace R. Burke  
*Assistant Examiner*—M. Brown  
*Attorney, Agent, or Firm*—Terry M. Gernstein

[\*\*] Term: **14 Years**

[21] Appl. No.: **4,491**

[57] **CLAIM**

[22] Filed: **Feb. 5, 1993**

The ornamental design for a vehicle for clearing snow and ice from roadways, as shown and described.

[52] U.S. Cl. .... **D12/14**

[58] Field of Search ..... 37/227, 228; 126/271.1; D12/14, 1

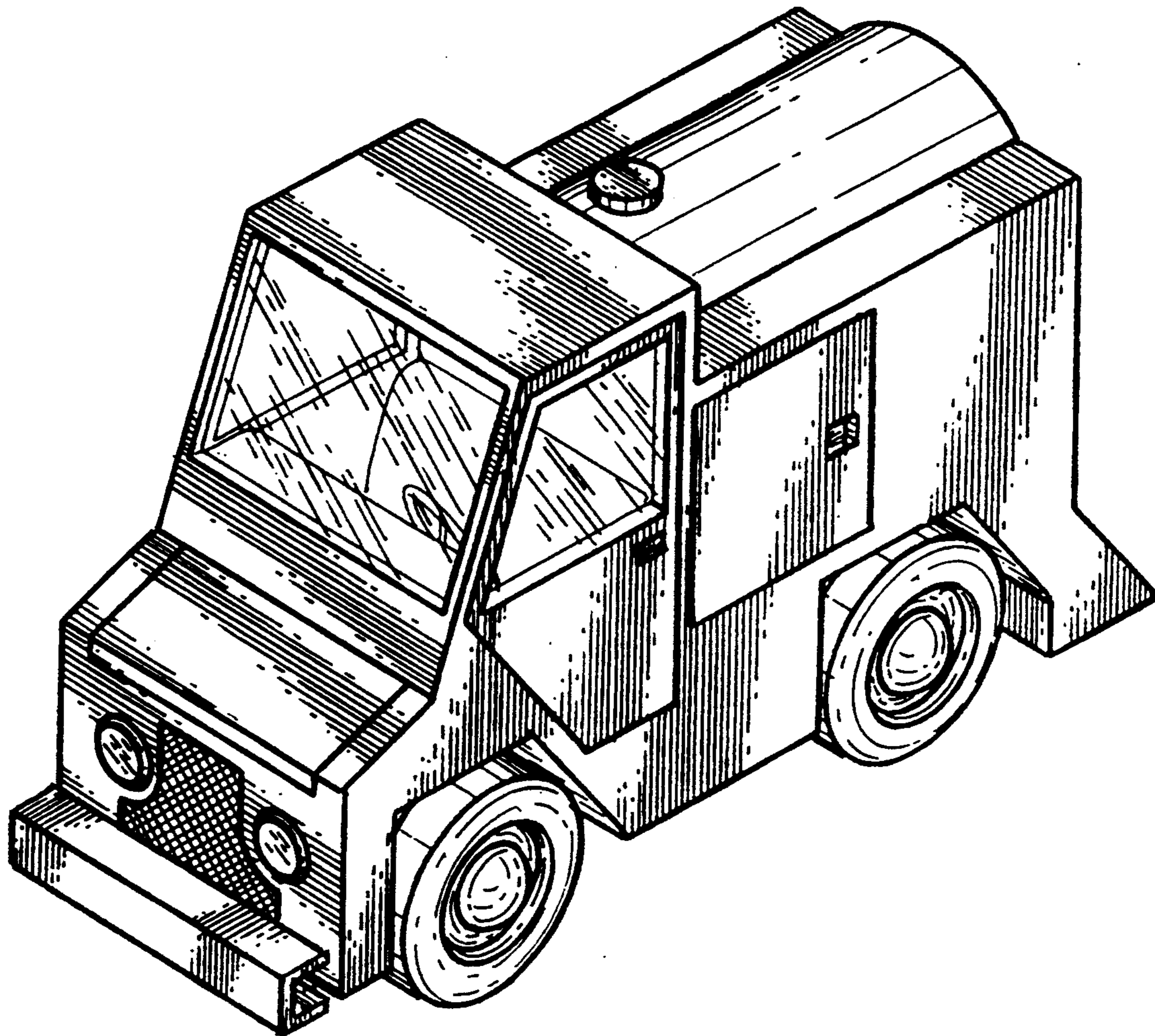
**DESCRIPTION**

[56] **References Cited**

FIG. 1 is a front, top and side perspective view of the vehicle for clearing snow and ice from roadways embodying the design of the present invention; FIG. 2 is a front elevational view thereof; FIG. 3 is a rear elevational view thereof; FIG. 4 is a side elevational view thereof, the side opposite being a mirror image of the side shown in FIG. 4; FIG. 5 is a top plan view thereof; and, FIG. 6 is a bottom plan view thereof.

**U.S. PATENT DOCUMENTS**

D. 183,195	7/1958	Cline .....	D12/14
3,140,708	7/1964	Petlak .....	37/227
3,289,668	12/1966	Drucker .....	126/271.1
3,455,041	7/1969	Roberts .....	37/95
3,866,340	2/1975	Krickovich .....	37/228
4,071,966	2/1978	Cohen .....	37/228



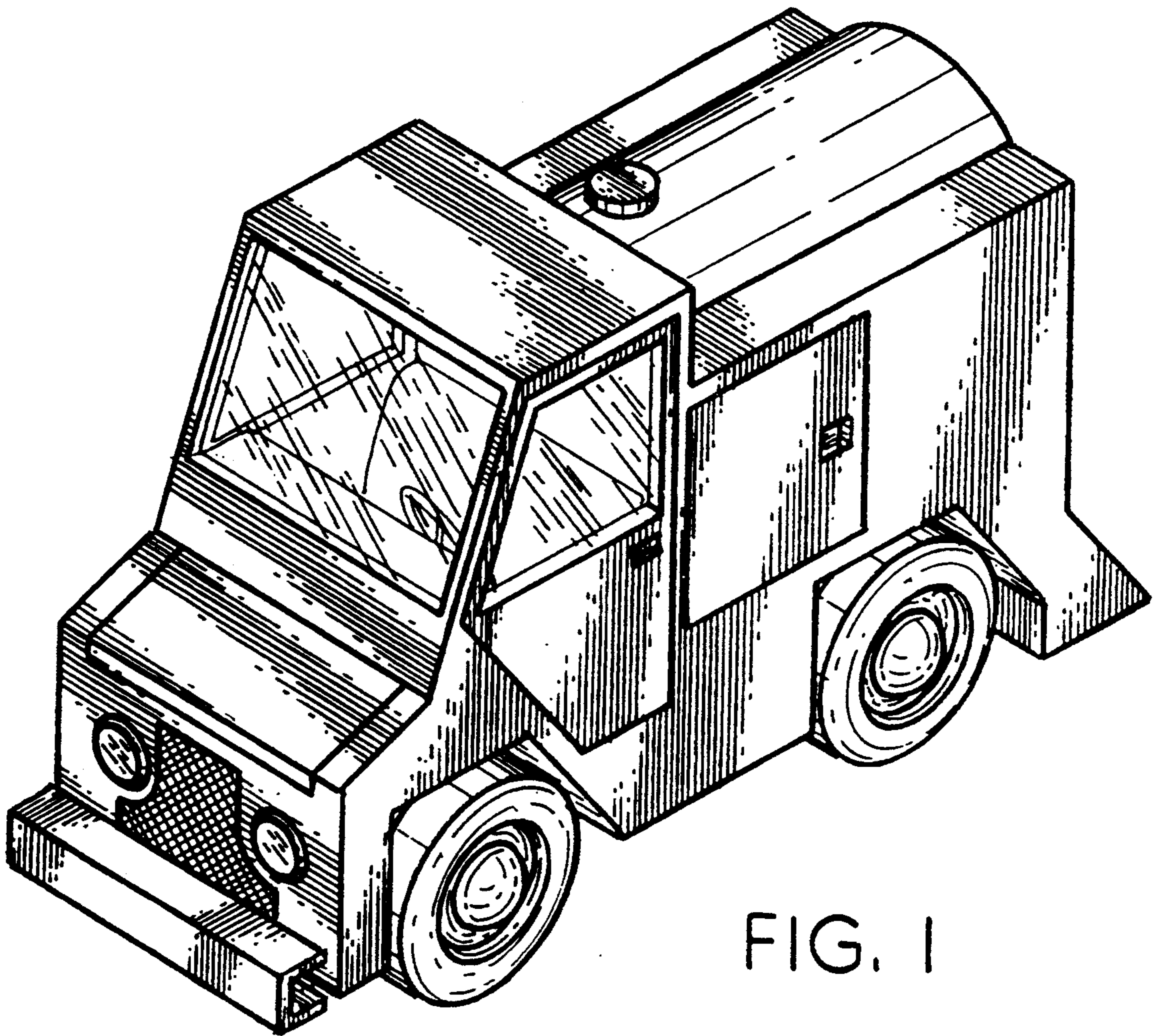


FIG. 1

FIG. 2

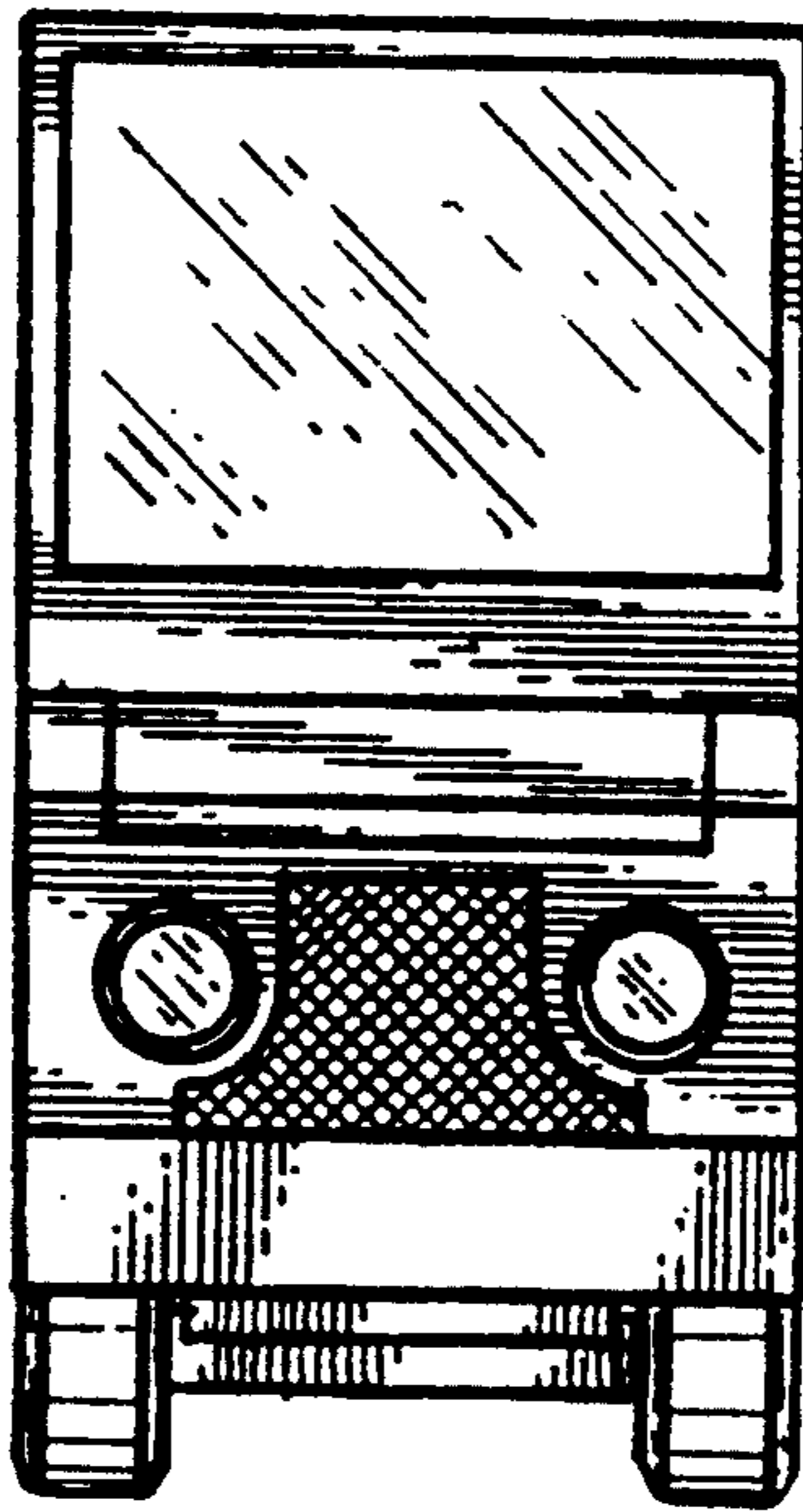


FIG. 3

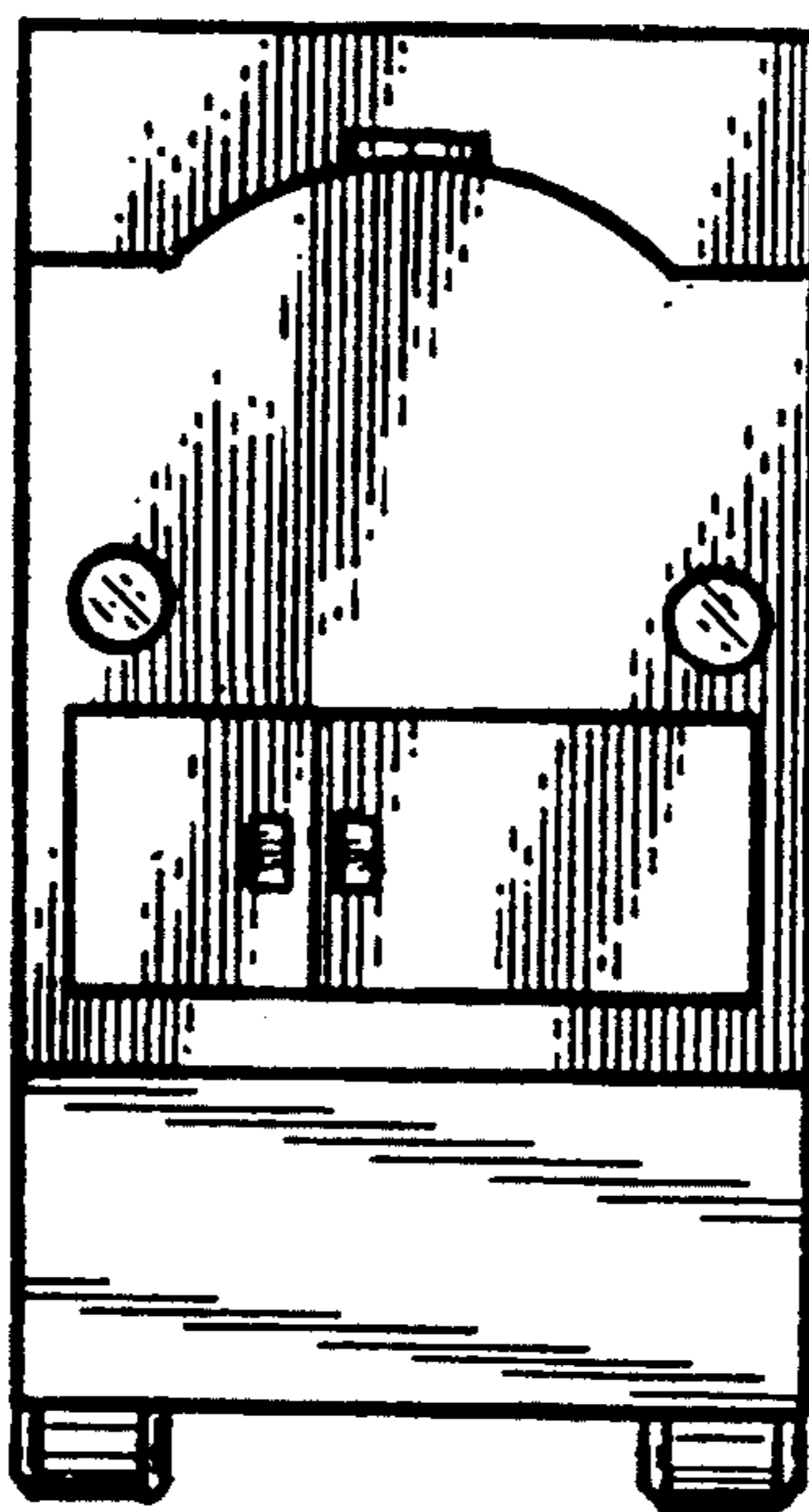


FIG. 4

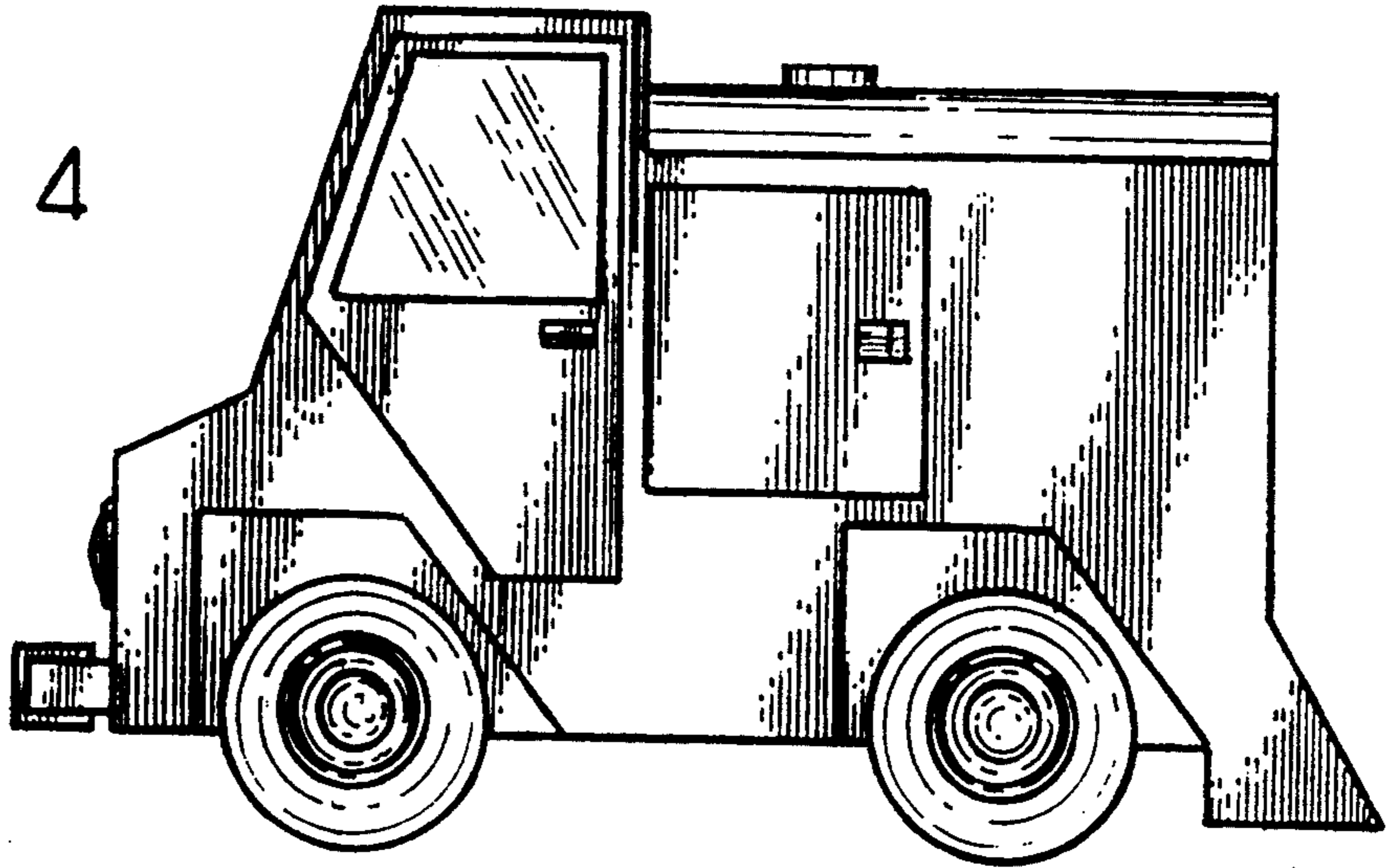


FIG. 5

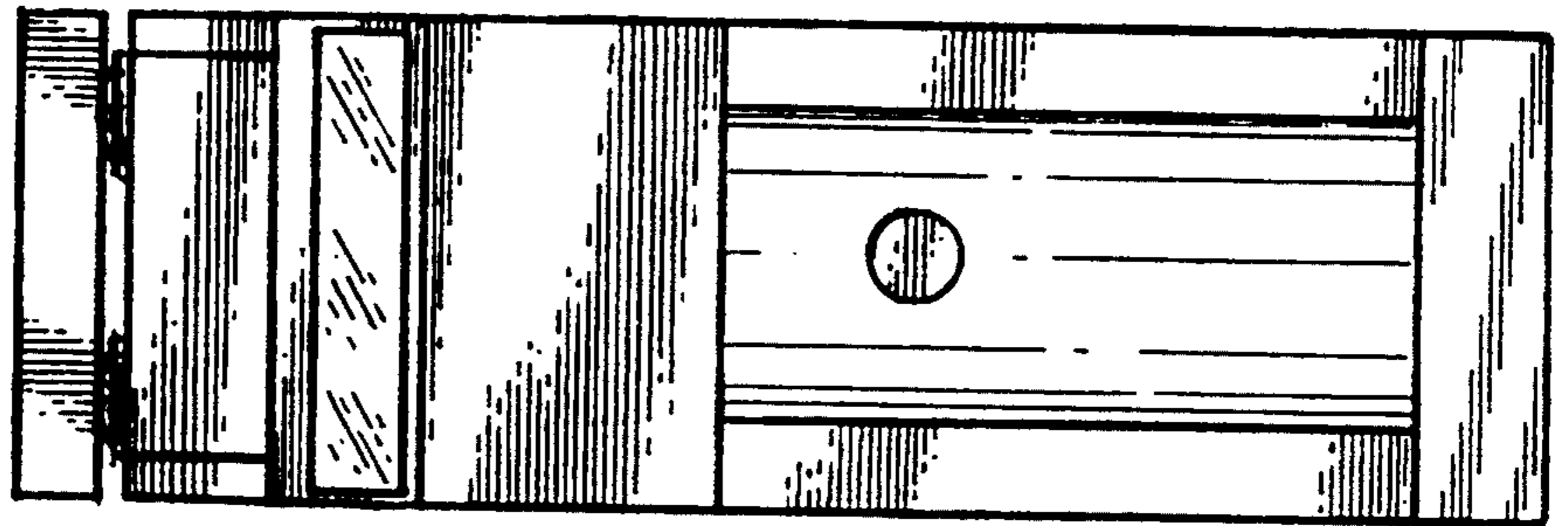


FIG. 6

