



US00D349252S

United States Patent [19]

[11] Patent Number: **Des. 349,252**

Hurd

[45] Date of Patent: **** Aug. 2, 1994**

[54] **WATER LINE FLOW CONTROL METER**

4,106,095	8/1978	Yarbrough	364/464.04
4,351,028	9/1982	Peddie	364/464.04
4,449,187	5/1984	Scott	364/464.04
4,591,988	5/1986	Klima	364/464.04

[76] Inventor: **Harold C. Hurd**, R.R. 1 Box 438, Allons, Tenn. 38541

[**] Term: **14 Years**

Primary Examiner—Alan P. Douglas
Assistant Examiner—Antoine D. Davis
Attorney, Agent, or Firm—Terry M. Gernstein

[21] Appl. No.: **6,232**

[22] Filed: **Mar. 23, 1993**

[57] **CLAIM**

[52] U.S. Cl. **D10/96; D10/99**

The ornamental design for a water line flow control meter, as shown and described.

[58] Field of Search 73/861, 861.72, 431; 137/1, 7, 12, 553, 556, 556.3, 557; 364/464.01, 464.04, 465, 483; D10/96, 99, 100, 101; D23/246

DESCRIPTION

[56] **References Cited**

U.S. PATENT DOCUMENTS

D. 210,944	5/1968	Tuthill	D23/246 X
D. 283,204	4/1986	McDonald	D10/96
2,738,672	3/1956	Smith et al.	73/431
2,746,785	5/1956	Emery	73/431
3,226,836	1/1966	Bond	73/431

FIG. 1 is a front, top and right side perspective view of the water line flow control meter embodying the design of the present invention;

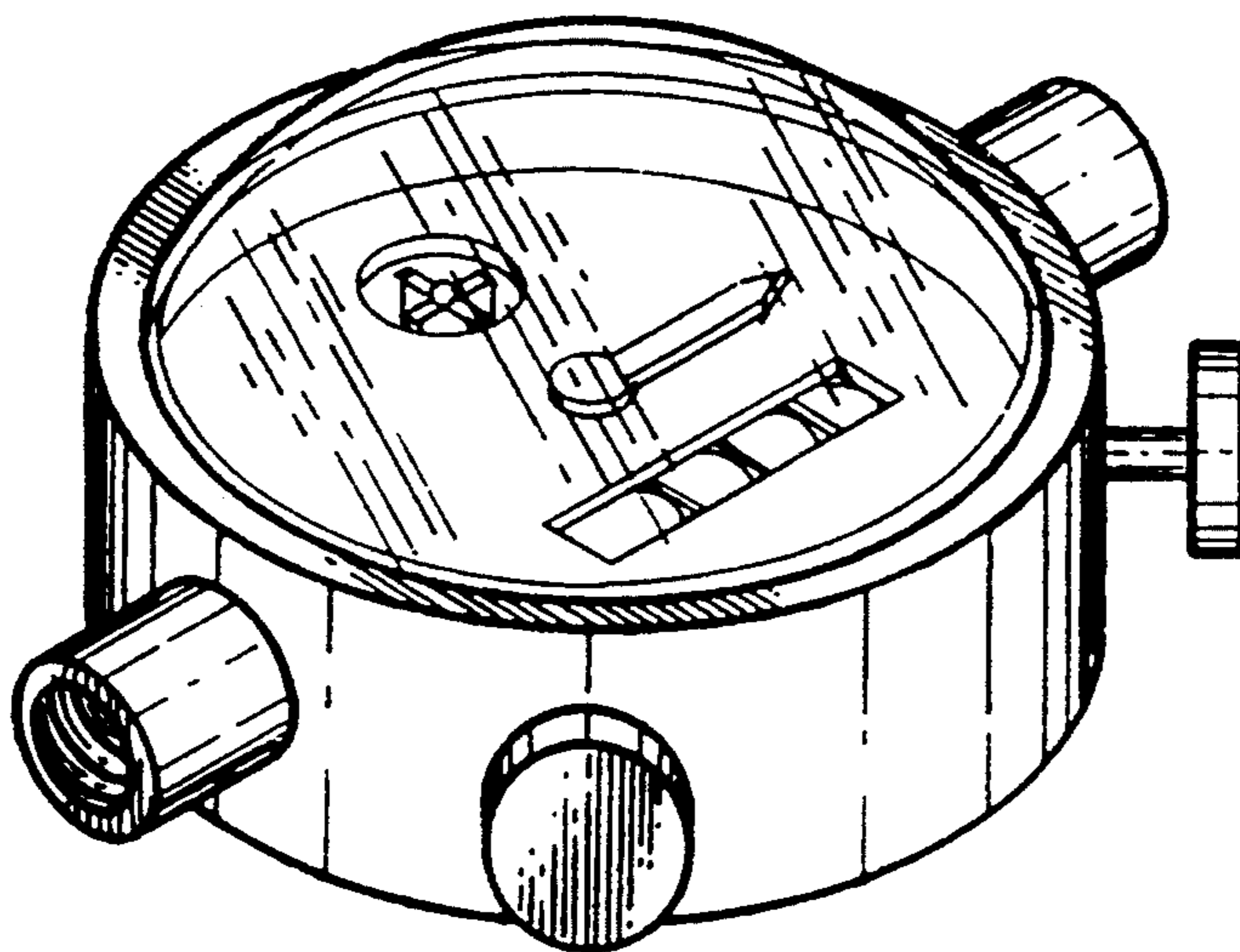
FIG. 2 is a front elevational view thereof, the rear being a mirror image of the front shown in FIG. 2;

FIG. 3 is a right side elevational view thereof;

FIG. 4 is a left side elevational view thereof;

FIG. 5 is a top plan view thereof; and,

FIG. 6 is a bottom plan view thereof.



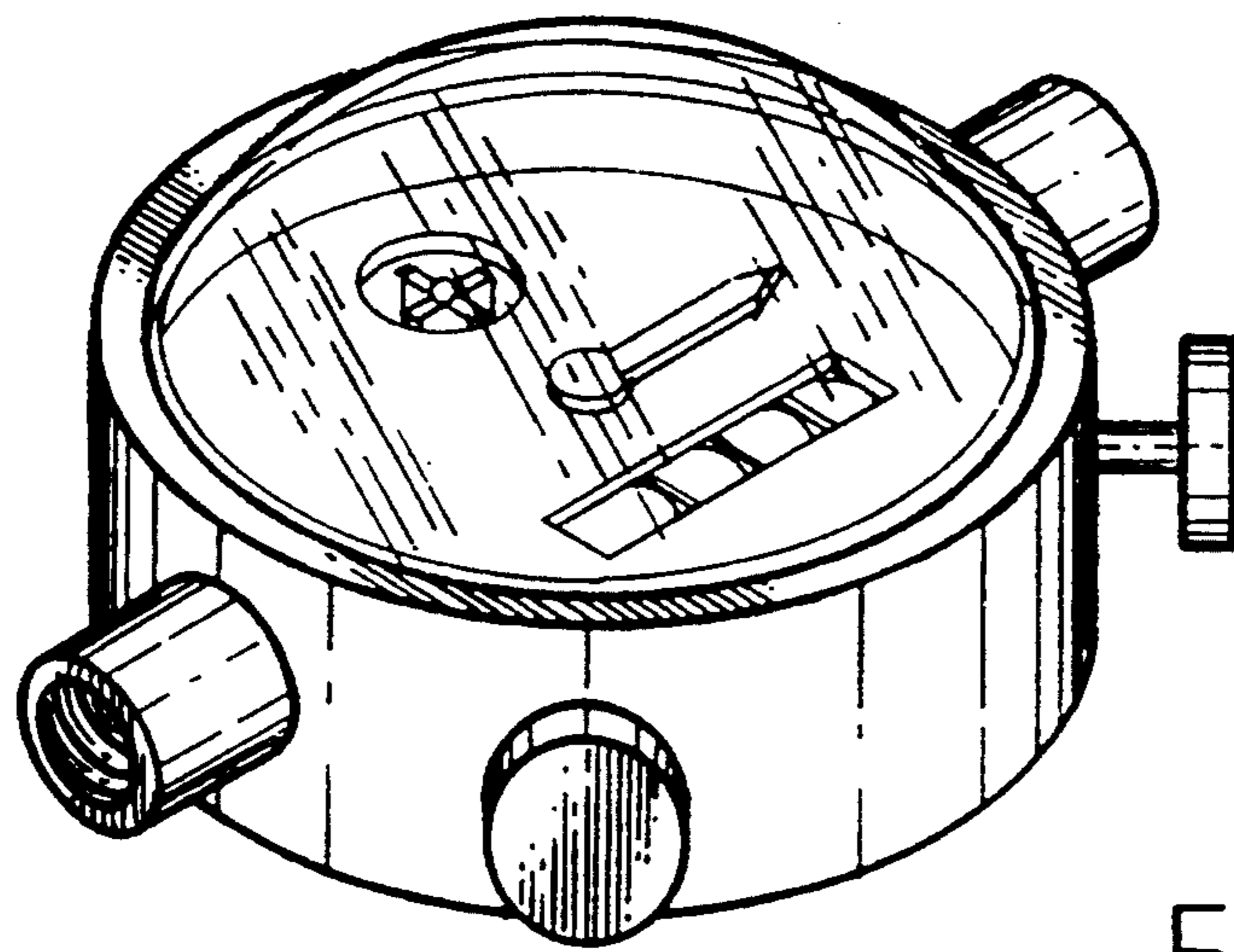


FIG. 1

FIG. 2

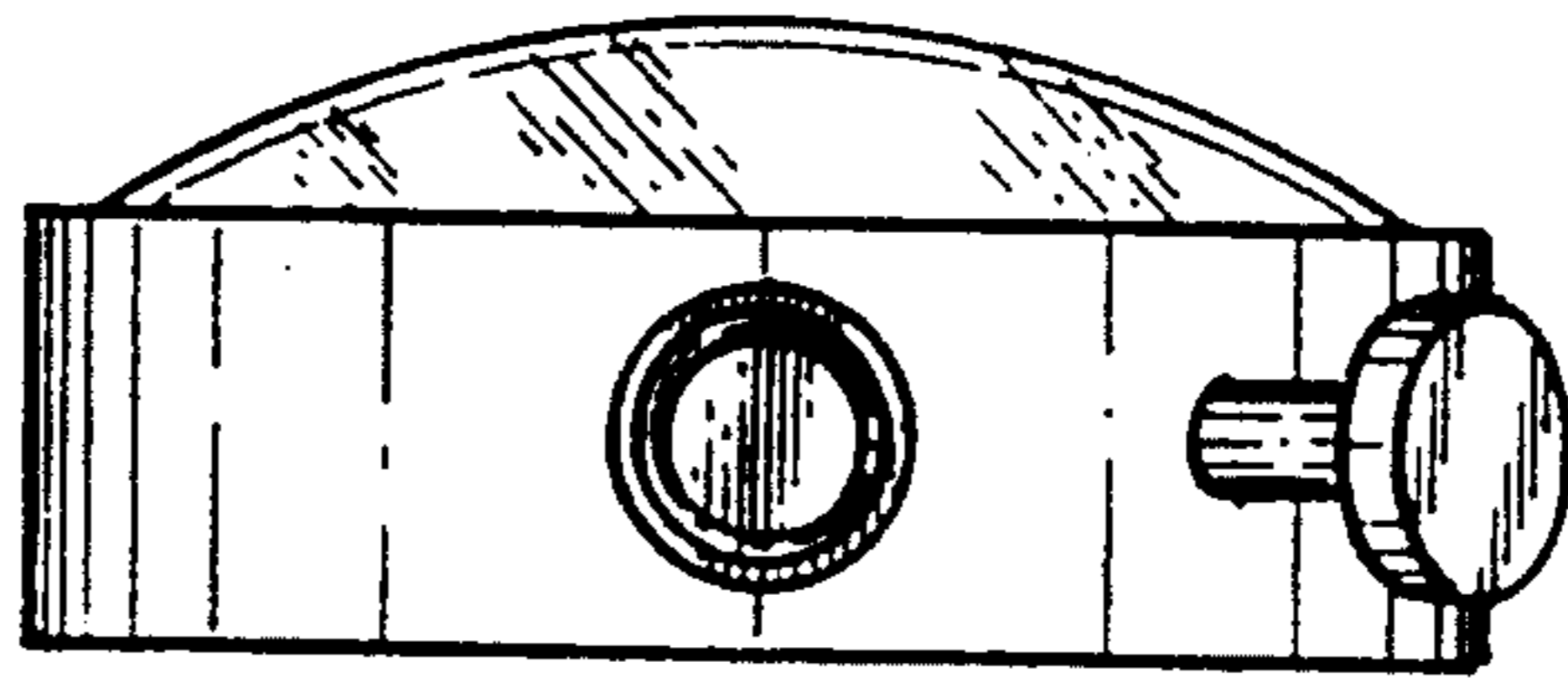


FIG. 3

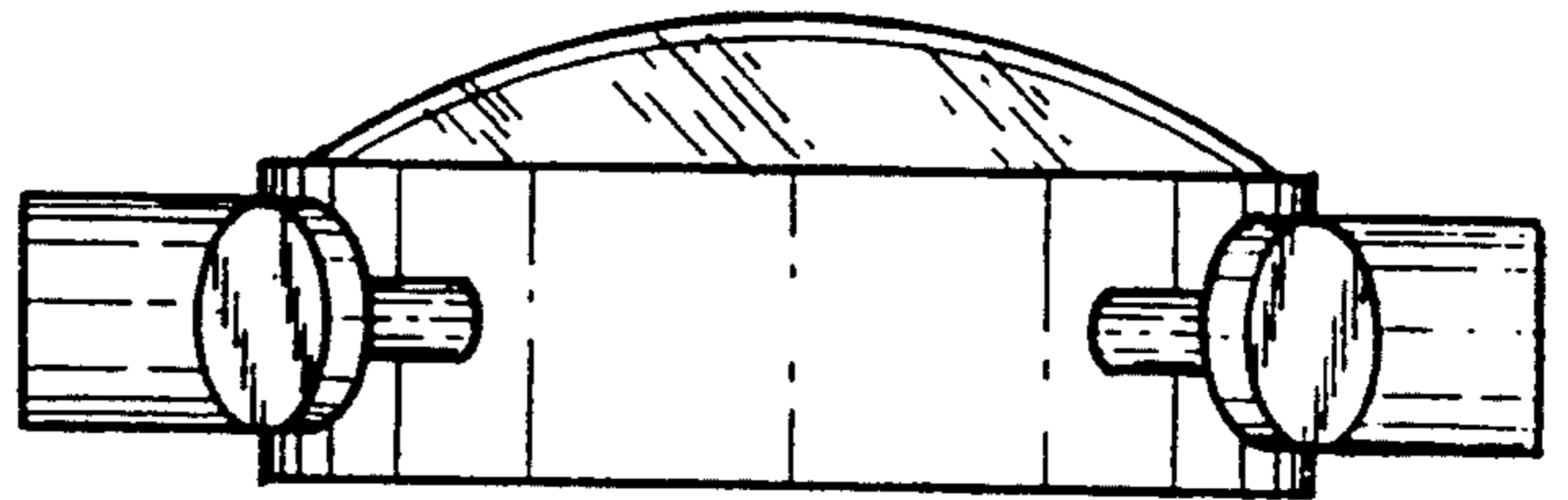


FIG. 4

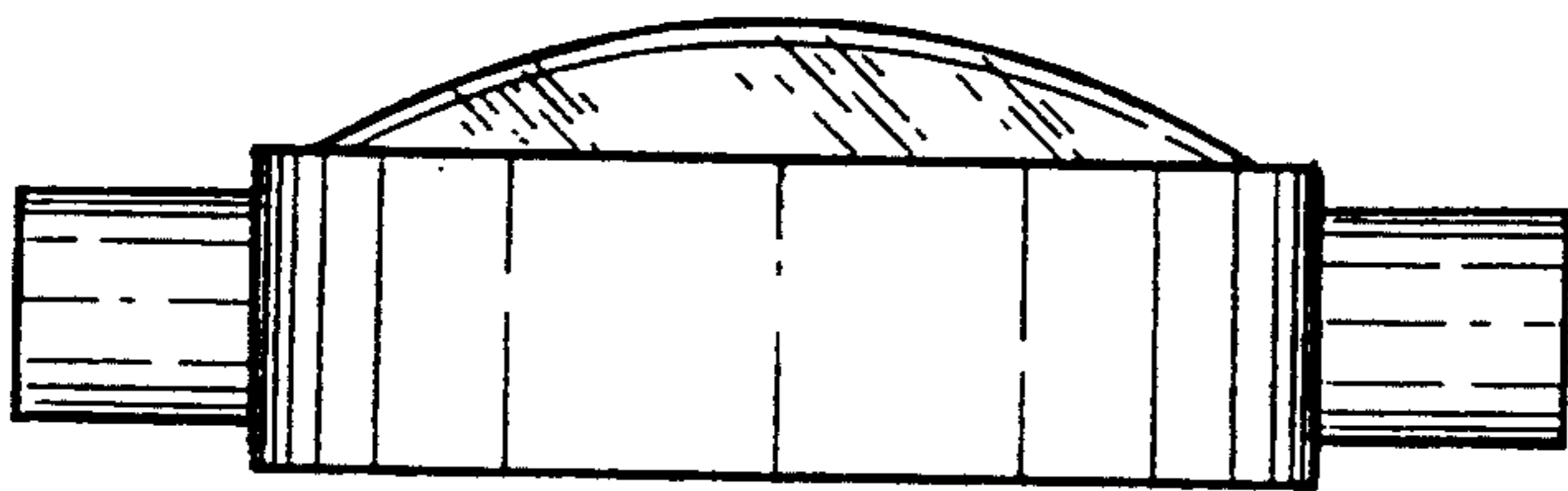


FIG. 5

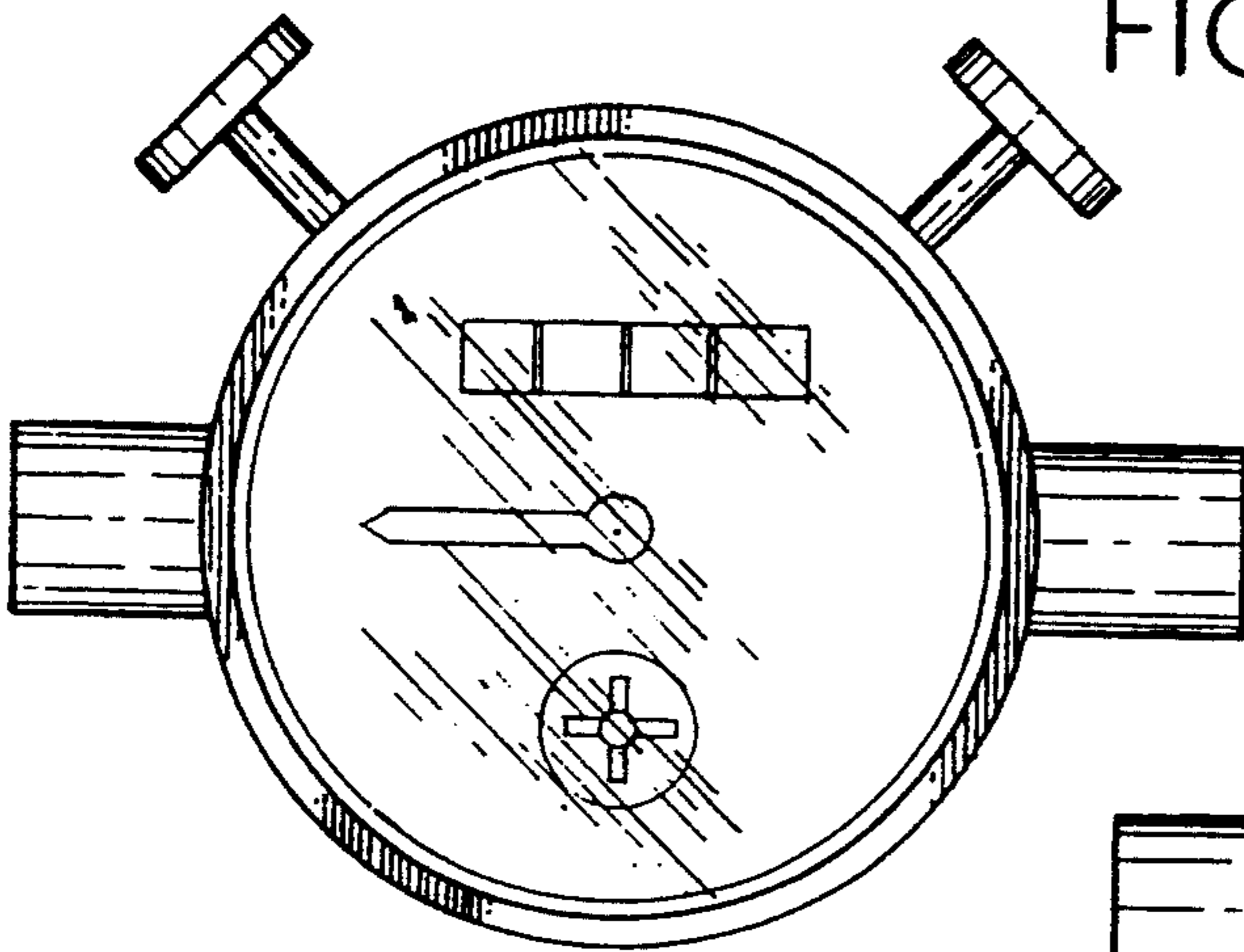


FIG. 6

