



US00D349241S

United States Patent [19]

[11] Patent Number: **Des. 349,241**

Isaacson

[45] Date of Patent: **** Aug. 2, 1994**

[54] **COMBINATION RE-SEALABLE CLOSURE AND HANDLE FOR SCREW TOP BOTTLES**

[56] **References Cited**

U.S. PATENT DOCUMENTS

[76] Inventor: **Jerry D. Isaacson**, 1042 Westmoor, Winnetka, Ill. 60093

D. 288,666	3/1987	Brun	D9/434
D. 294,226	2/1988	Smith	D9/434
D. 320,561	10/1991	Glazer	D9/443
D. 327,221	6/1992	Simmons	D9/434

[**] Term: **14 Years**

Primary Examiner—Alan P. Douglas
Assistant Examiner—Robert M. Spear
Attorney, Agent, or Firm—Allegretti & Witcoff, Ltd.

[21] Appl. No.: **7,025**

[57] CLAIM

[22] Filed: **Apr. 12, 1993**

The ornamental design for a combination re-sealable closure and handle for screw top bottles, as shown.

Related U.S. Application Data

DESCRIPTION

[63] Continuation of Ser. No. 718,848, Jun. 20, 1991, abandoned.

FIG. 1 is a perspective view showing my new design for a combination resealable closure and handle for screw top bottles;

[52] U.S. Cl. **D9/443; D9/434; D9/447**

FIG. 2 is a right side view thereof;

[58] Field of Search **D9/434, 435, 443, 455; D7/322, 393, 398; 215/100; 220/696; 222/465.1, 469-471, 475, 475.1, 575**

FIG. 3 is a left side view thereof;

FIG. 4 is a front side view thereof;

FIG. 5 is a rear view thereof;

FIG. 6 is a top plan view thereof; and,

FIG. 7 is a bottom plan view thereof.

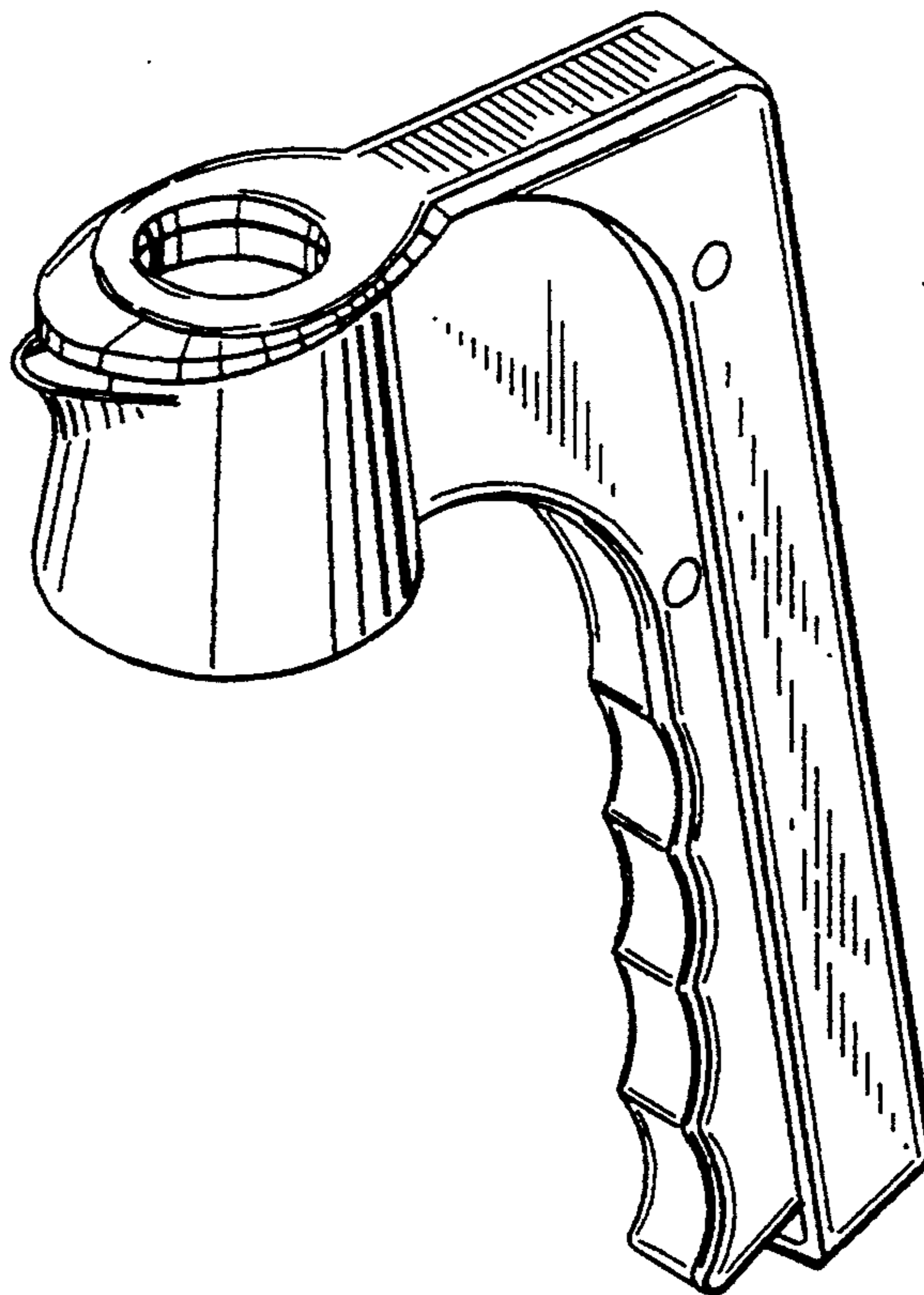


FIG. 1

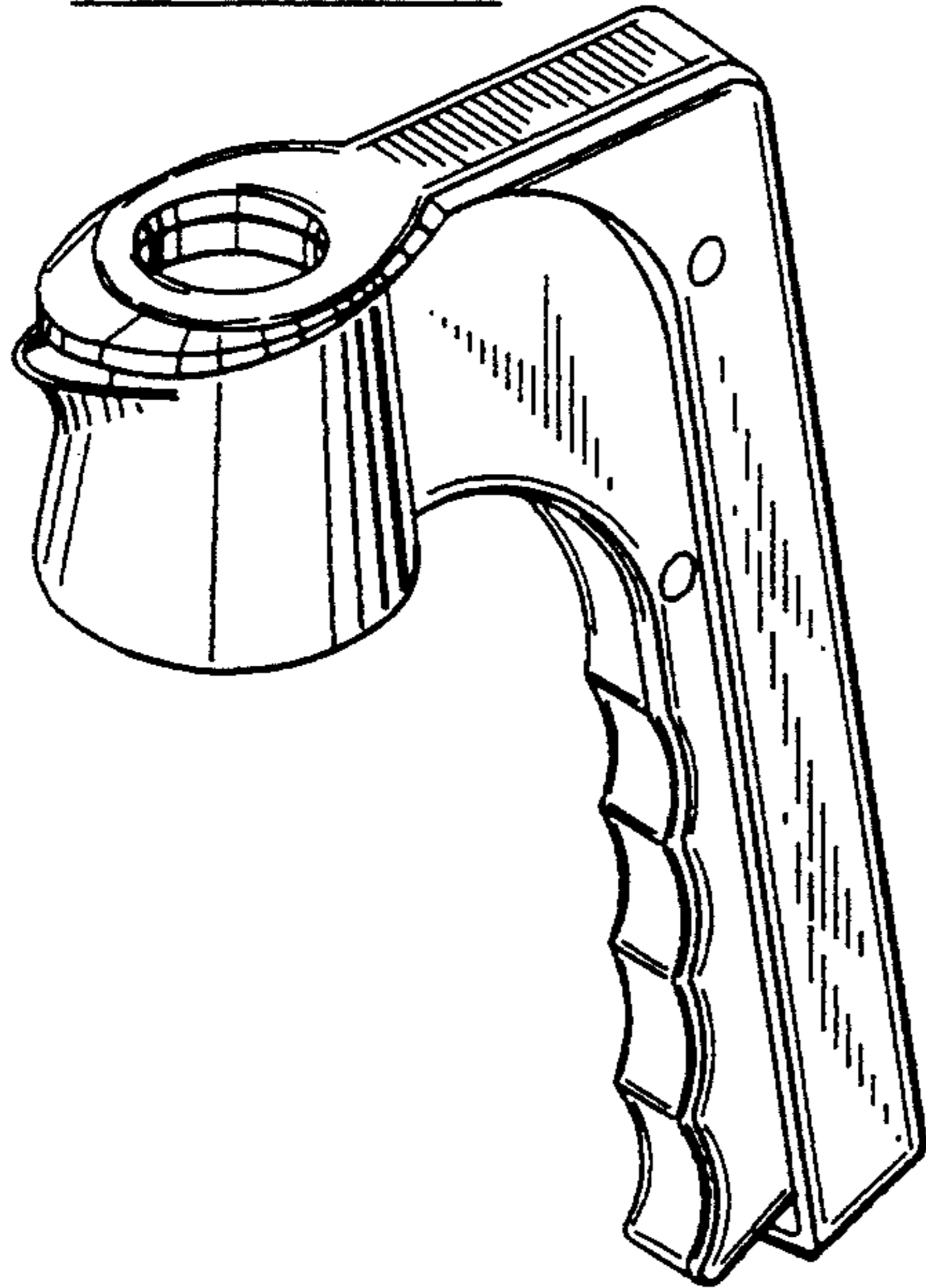


FIG. 2

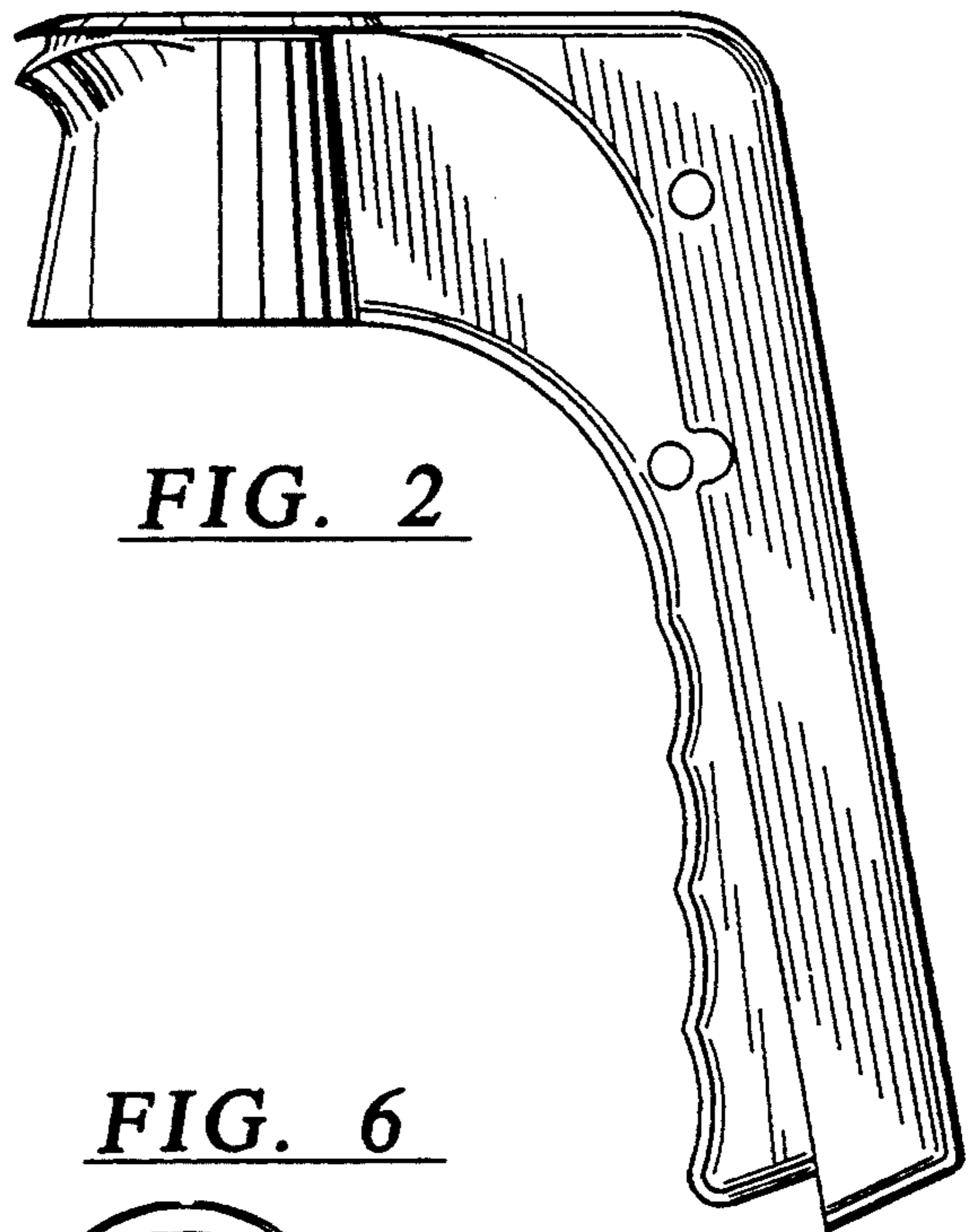


FIG. 6

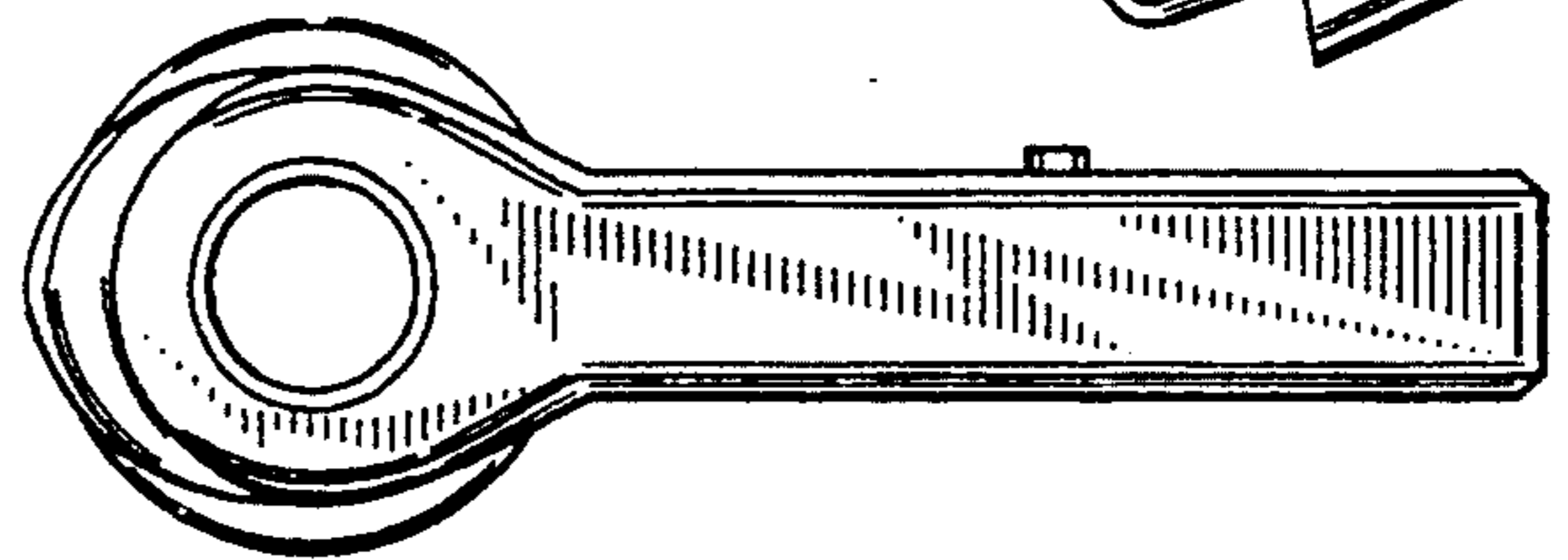


FIG. 3

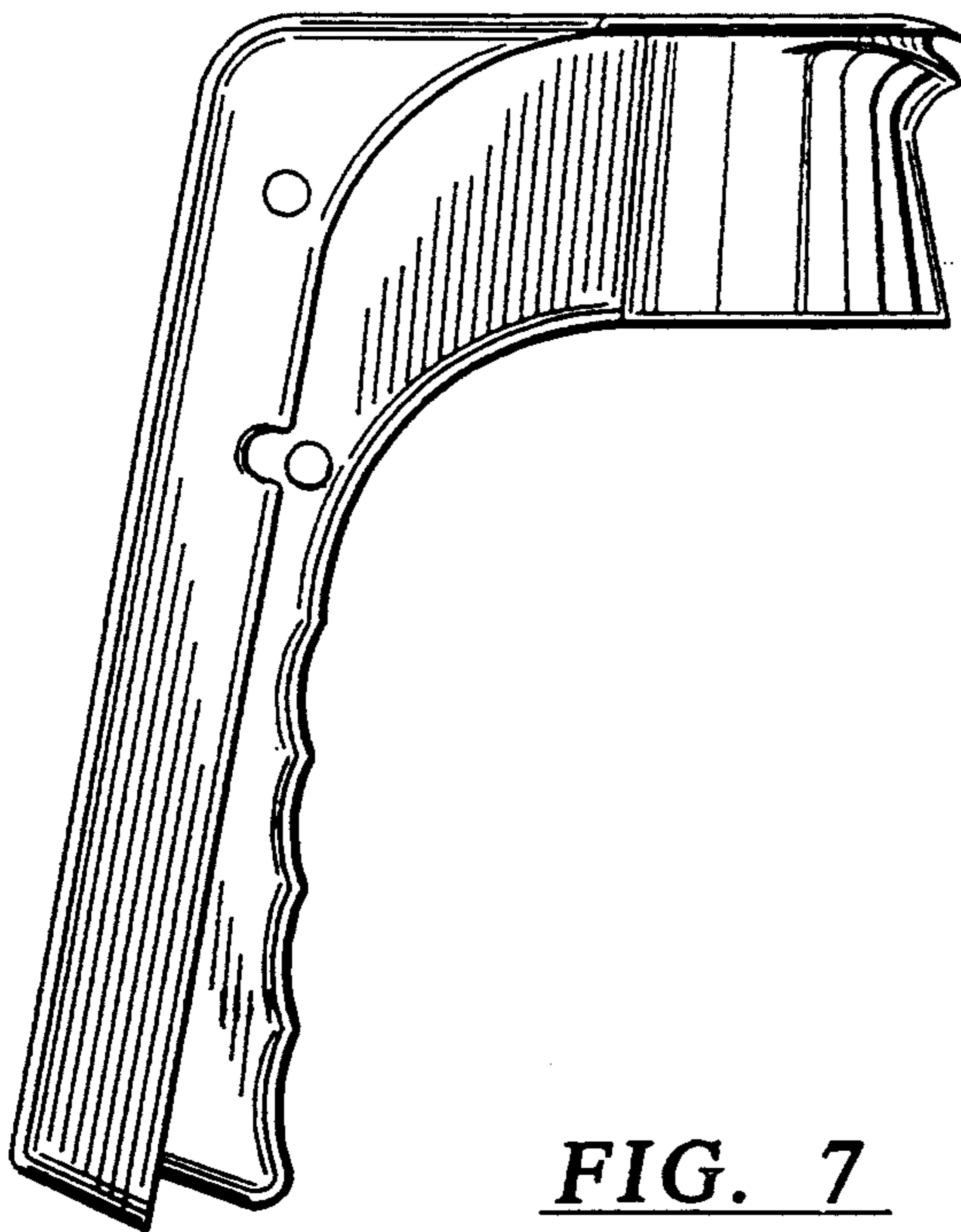


FIG. 7

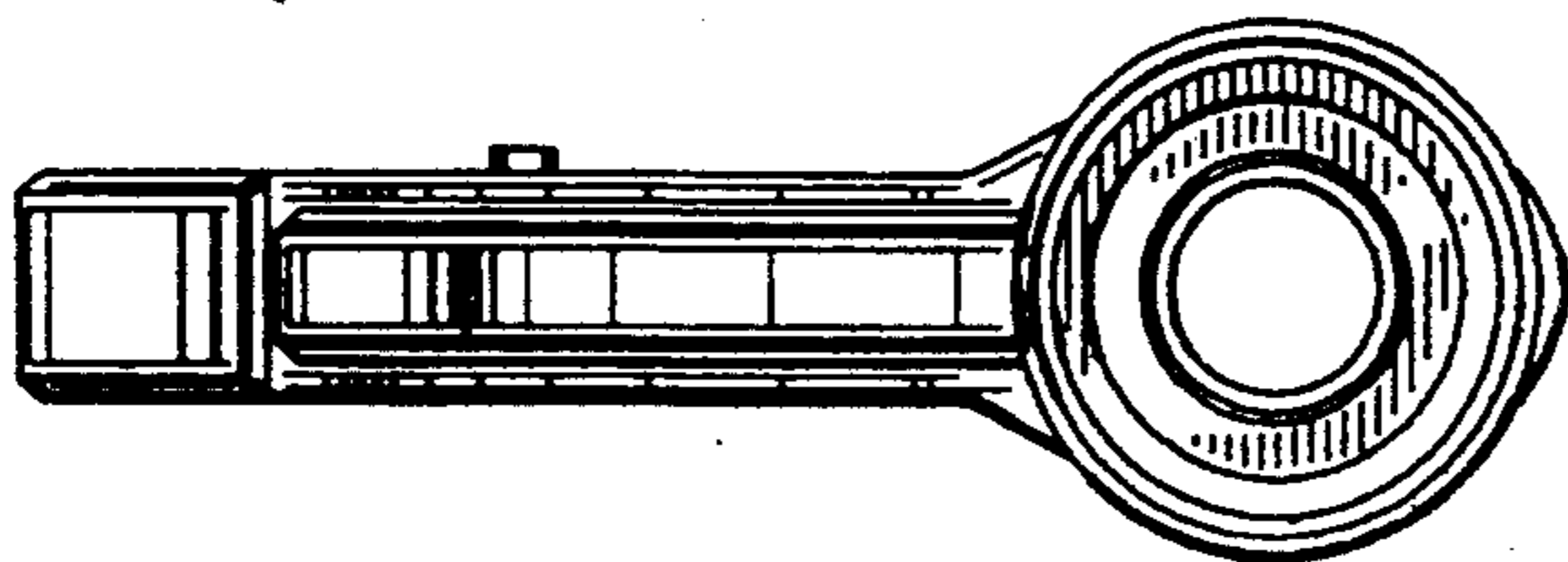


FIG. 4

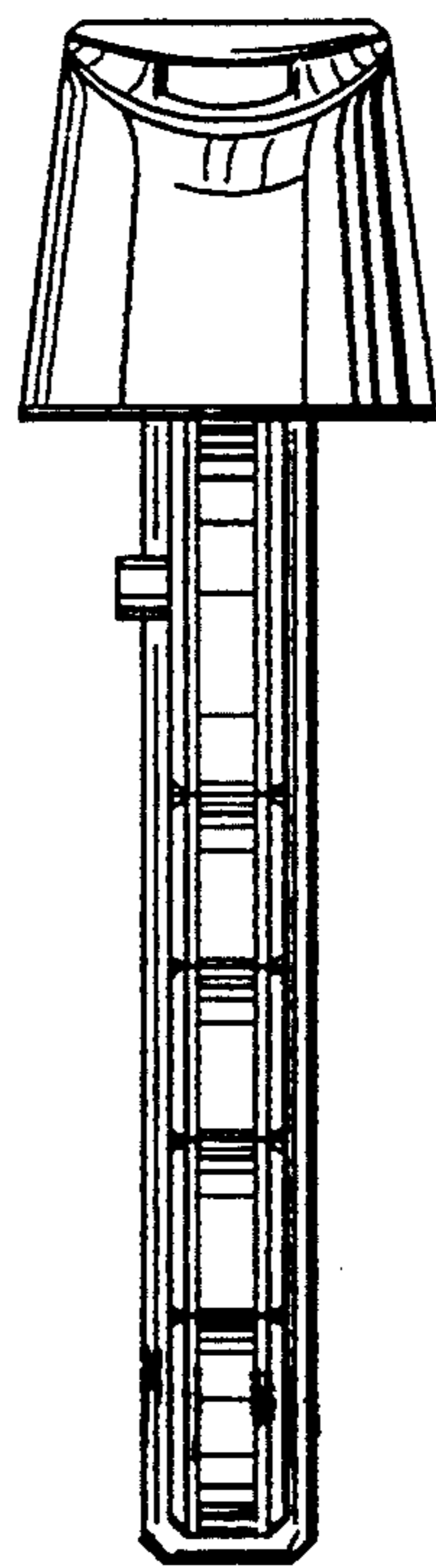


FIG. 5

