



US00D349240S

# United States Patent [19]

[11] Patent Number: **Des. 349,240**

**Booten**

[45] Date of Patent: **\*\* Aug. 2, 1994**

[54] CONTAINER

4,941,570 7/1990 Kruger et al. .... 256/267  
4,966,319 10/1990 Flemink ..... D9/420 X

[75] Inventor: **Richard D. Booten**, Brentwood, Tenn.

### OTHER PUBLICATIONS

Packaging catalog, 1940, p. 47 top right of the page.

[73] Assignee: **Aladdin Industries, Inc.**, Nashville, Tenn.

*Primary Examiner*—Prabhakar G. Deshmukh  
*Attorney, Agent, or Firm*—Sandler Greenblum & Bernstein

[\*\*] Term: **14 Years**

[21] Appl. No.: **5,334**

### [57] CLAIM

The ornamental design for a container, as shown and described.

[22] Filed: **Mar. 2, 1993**

[52] U.S. Cl. .... **D9/422; D9/424**

[58] Field of Search ..... D9/420-423, D9/424, 337, 414; 206/44 R, 45.13, 216, 581, 457; 220/334, 338, 337, 376, 628, DIG. 26

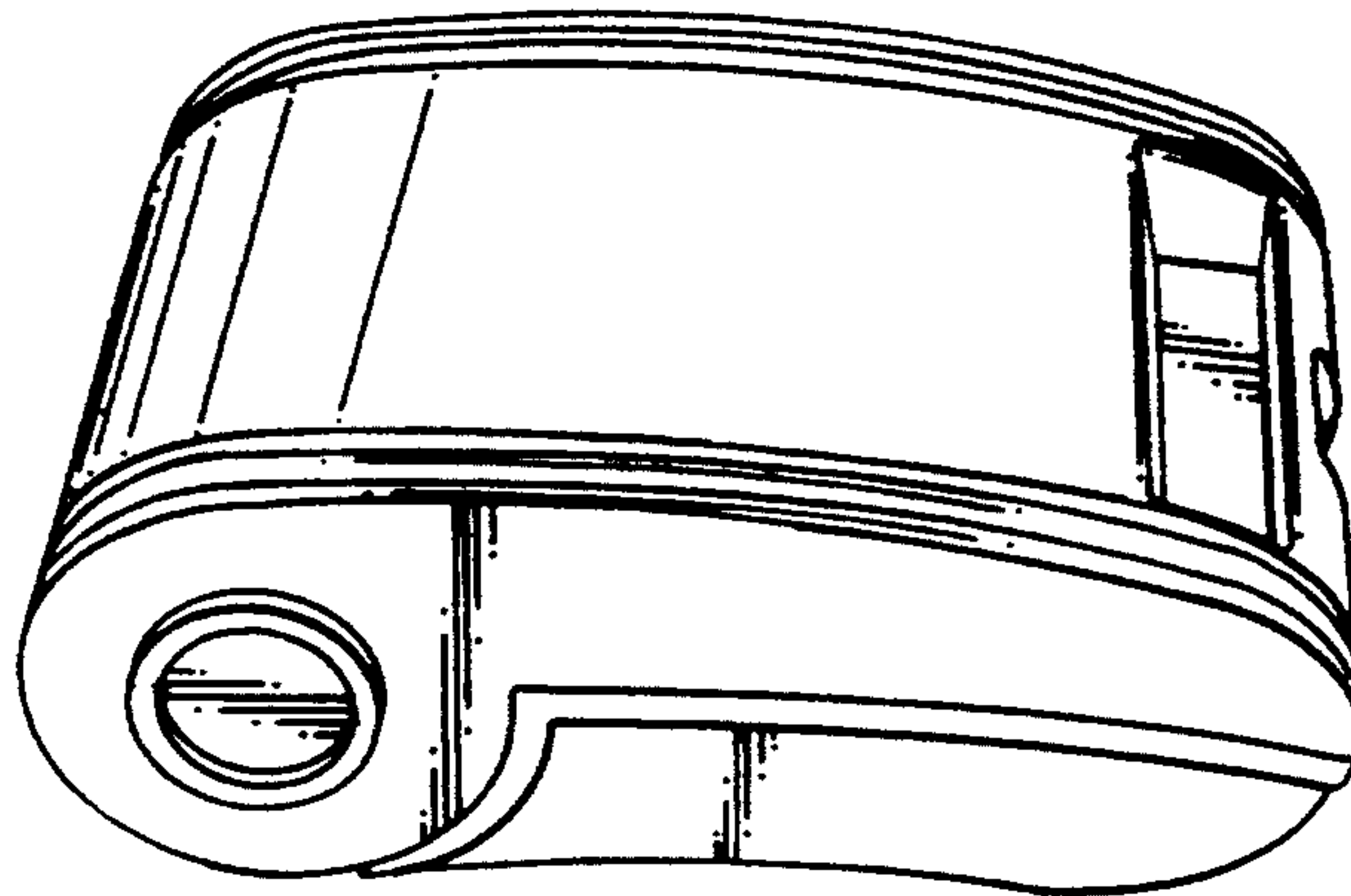
### DESCRIPTION

FIG. 1 is a front perspective view of the container according to the present invention;  
FIG. 2 is a front perspective view illustrating the opened container;  
FIG. 3 is a front elevational view thereof;  
FIG. 4 is a rear elevational view thereof;  
FIG. 5 is a left side elevational view thereof;  
FIG. 6 is a right side elevational view thereof;  
FIG. 7 is a top plan view thereof; and,  
FIG. 8 is a bottom plan view thereof.

### [56] References Cited

#### U.S. PATENT DOCUMENTS

D. 163,006	4/1951	Weill	.....	D9/420
D. 175,122	7/1955	Marano	.....	D9/420
D. 288,145	2/1987	Northrup et al.	.....	D9/420 X
D. 314,146	1/1991	Scholz	.....	D9/420
3,401,817	9/1968	Palson	.....	220/376 X



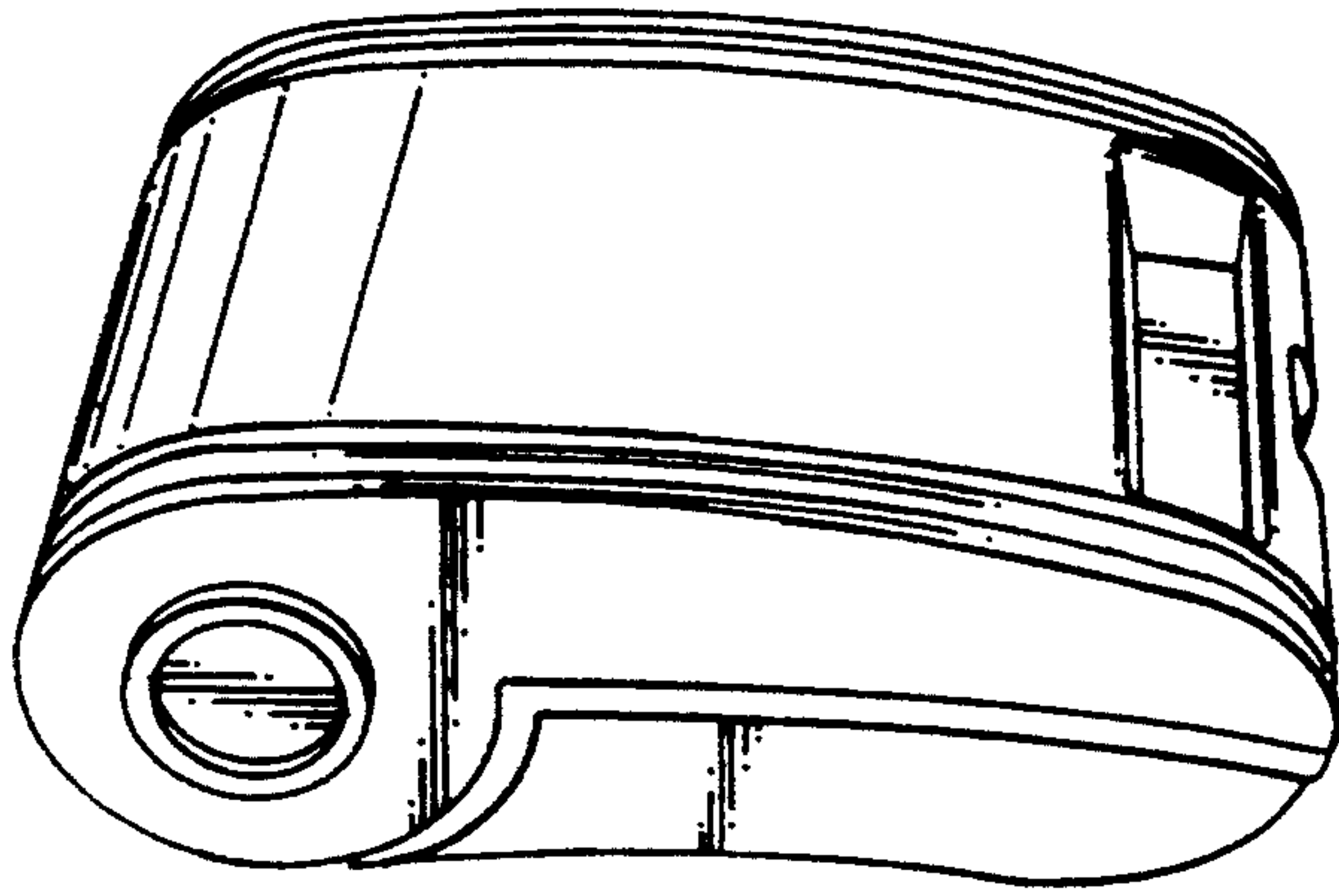


FIG. 1

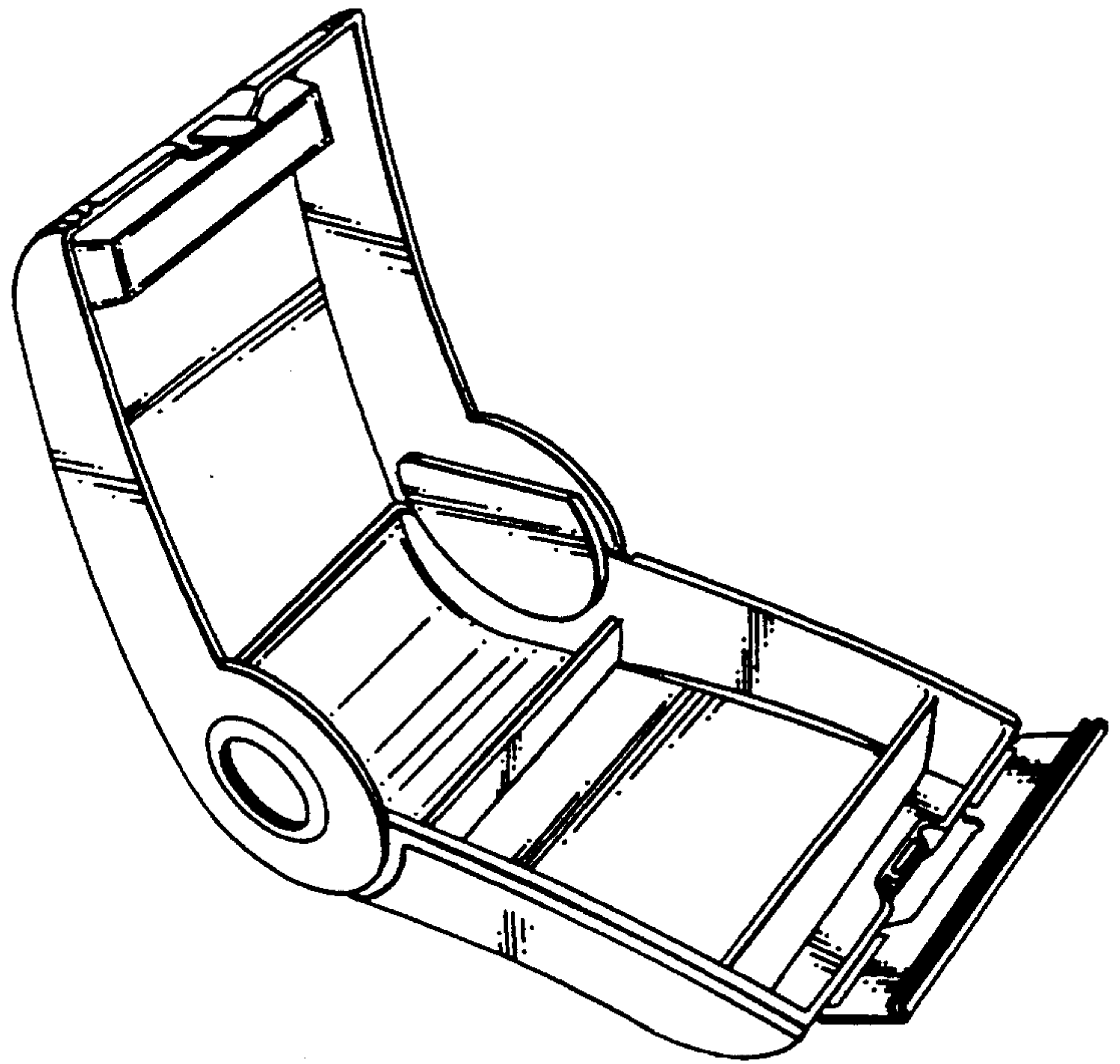


FIG. 2

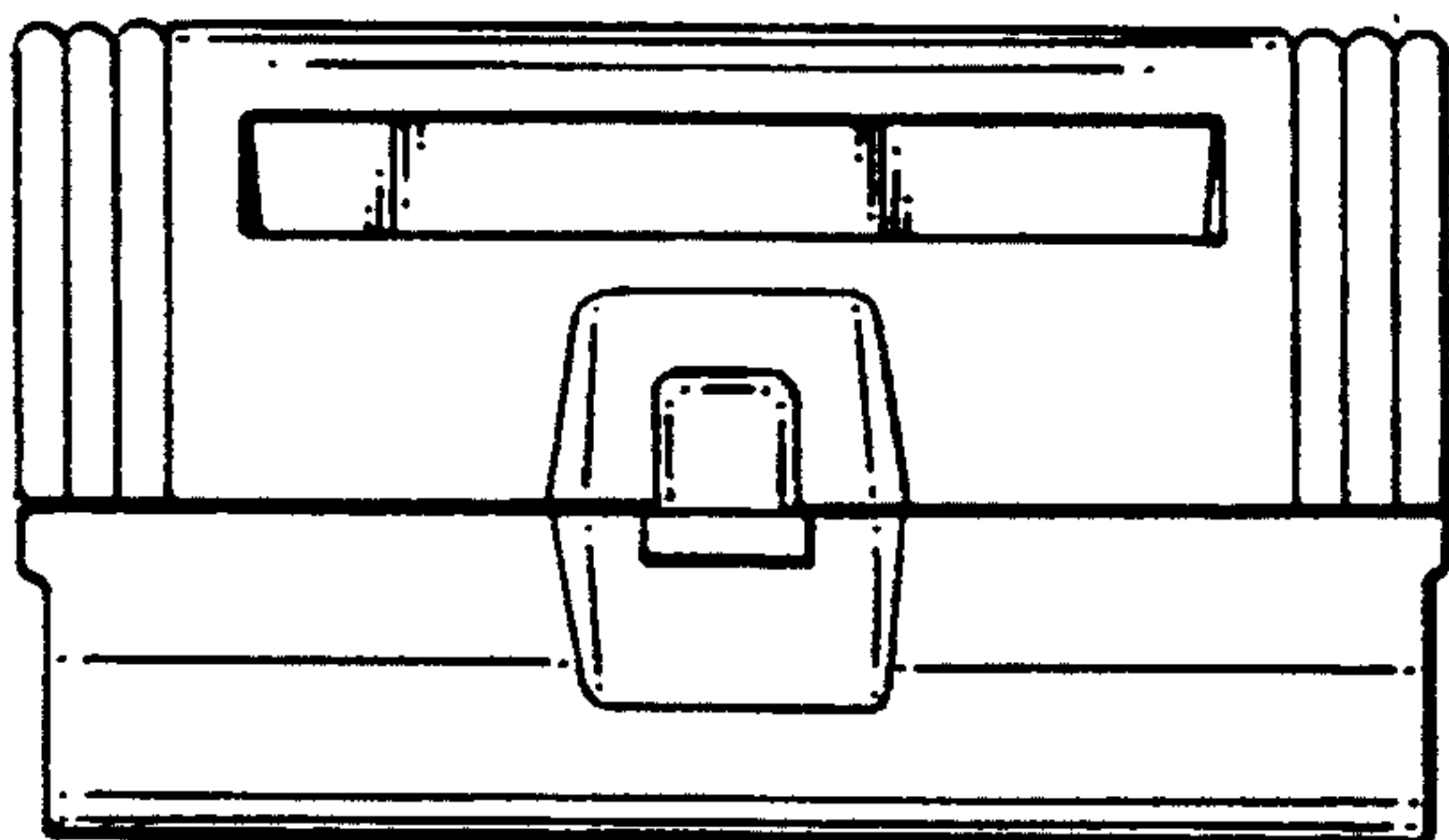


FIG. 3

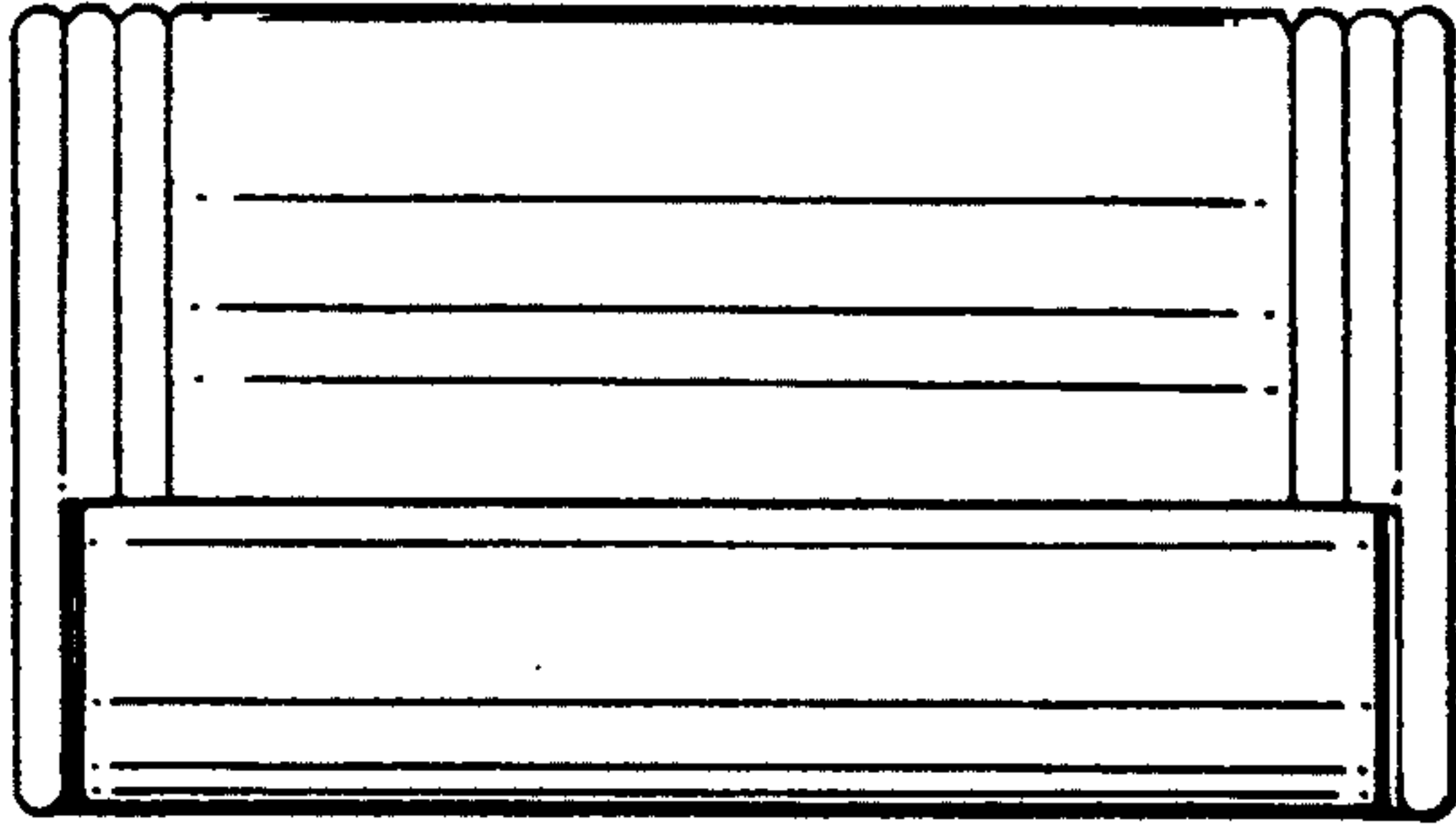


FIG- 4

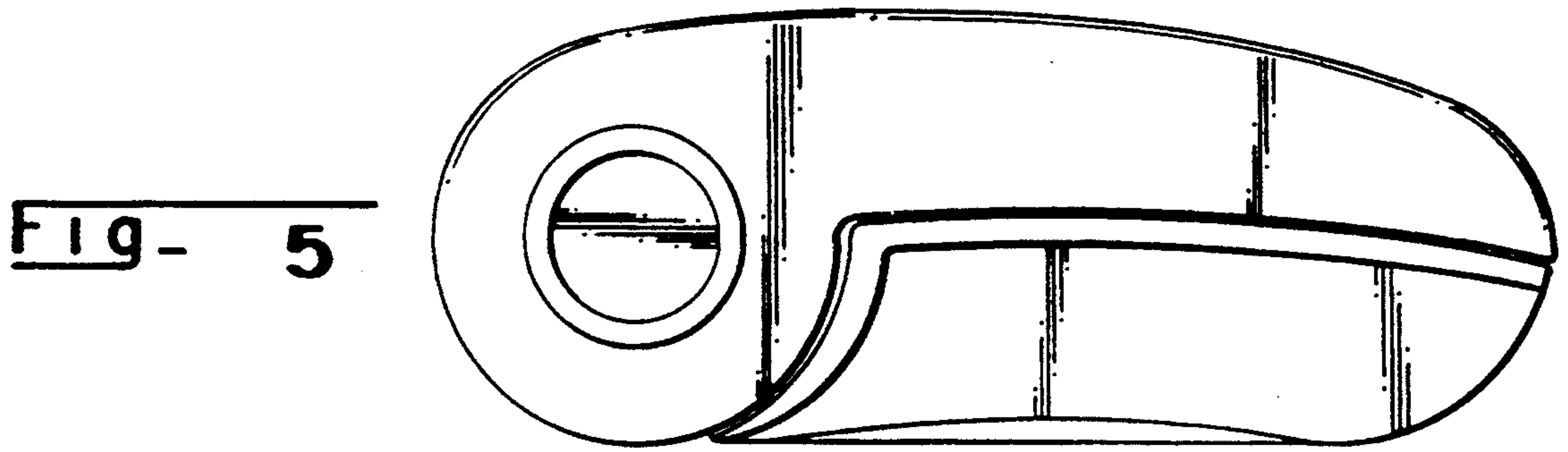


FIG- 5

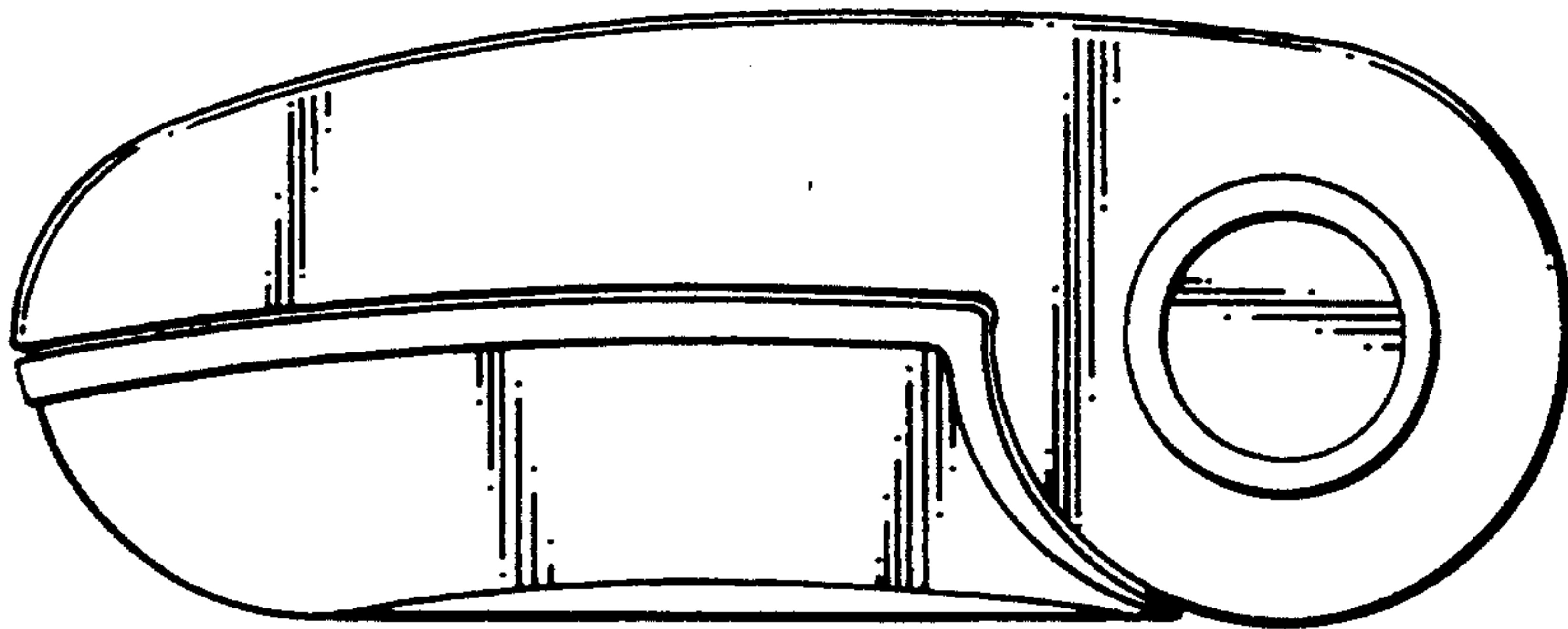


FIG- 6

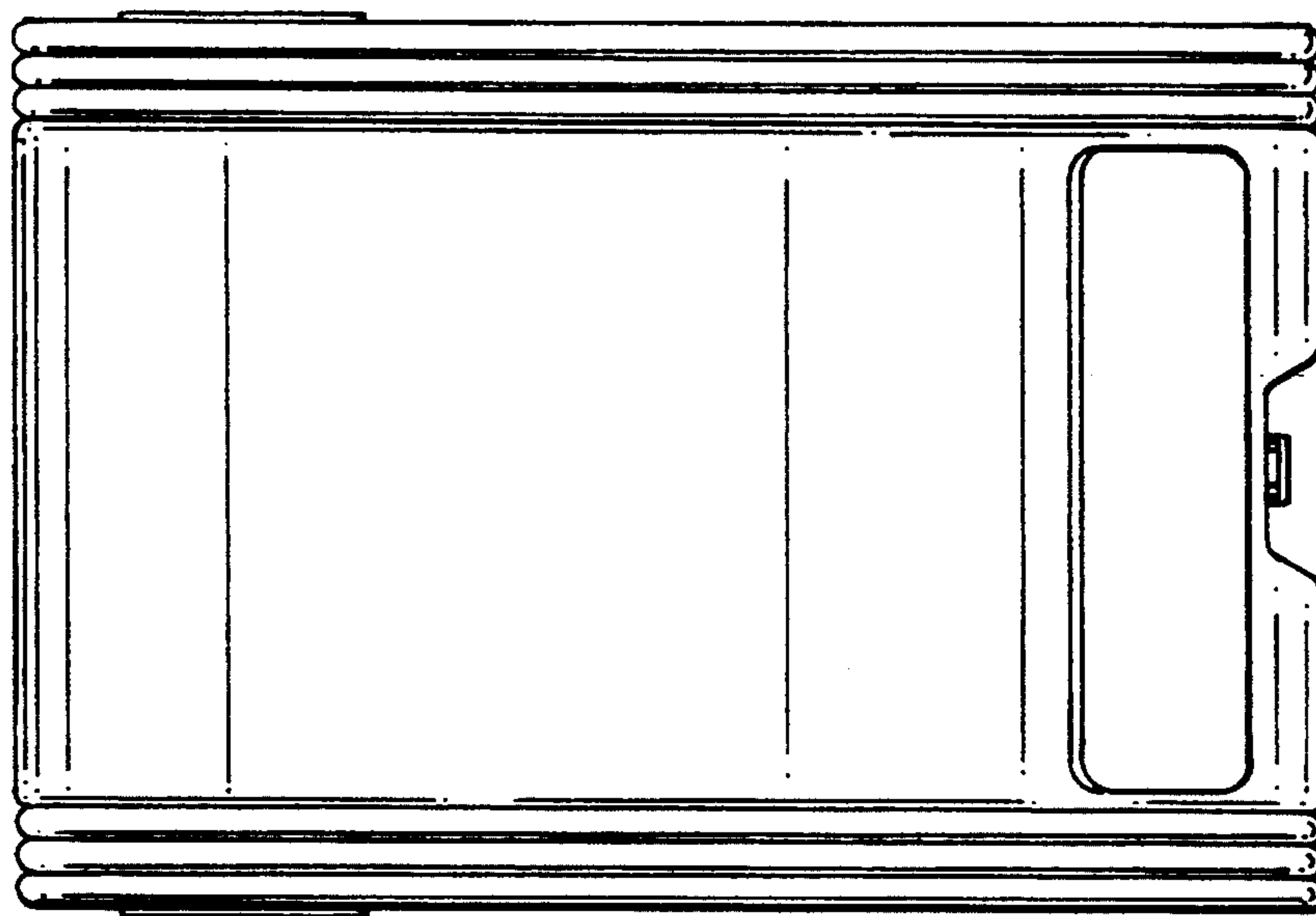


Fig - 7

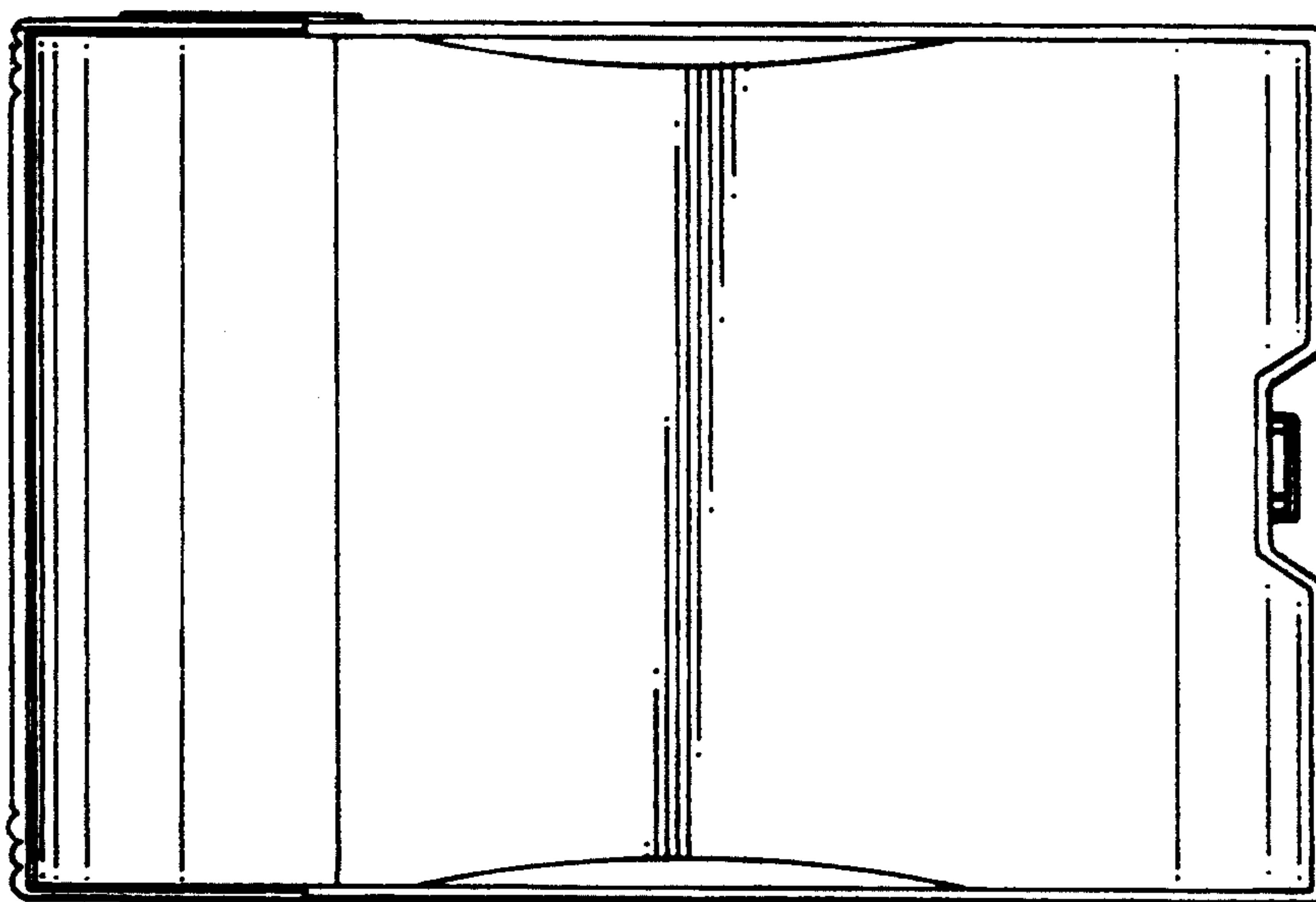


Fig - 8