



US00D349234S

United States Patent [19] Chan

[11] Patent Number: **Des. 349,234**

[45] Date of Patent: **** Aug. 2, 1994**

[54] **BRACKET FOR SUPPORTING OFFICE DESK TRAYS**

4,401,222 8/1983 Kilikowski 211/103 X
5,048,698 9/1991 Konrad 211/45

[75] Inventor: **Eric P. Chan**, New York, N.Y.

Primary Examiner—Wallace R. Burke

Assistant Examiner—H. Baynham

[73] Assignee: **American Trading and Production Corporation**, Baltimore, Md.

Attorney, Agent, or Firm—Cohn, Powell & Hind

[**] Term: **14 Years**

[57] **CLAIM**

The ornamental design for a bracket for supporting office desk trays, as shown and described.

[21] Appl. No.: **814,279**

DESCRIPTION

[22] Filed: **Dec. 26, 1991**

[52] U.S. Cl. **D8/381; D8/380**

[58] Field of Search **D8/381; 211/45, 103, 211/94**

FIG. 1 is an upper, front perspective view of a bracket for supporting office desk trays showing my new design;

FIG. 2 is a lower, rear perspective view thereof;

FIG. 3 is a top plan view thereof;

FIG. 4 is a left side elevational view thereof;

FIG. 5 is a right side elevational view thereof;

FIG. 6 is a front elevational view thereof;

FIG. 7 is a rear elevational view thereof; and,

FIG. 8 is a bottom plan view thereof.

[56] **References Cited**

U.S. PATENT DOCUMENTS

D. 292,264 10/1987 Staufenberg et al. D8/380
D. 298,604 11/1988 Newton D8/380
4,349,113 9/1982 Schreiner 211/103

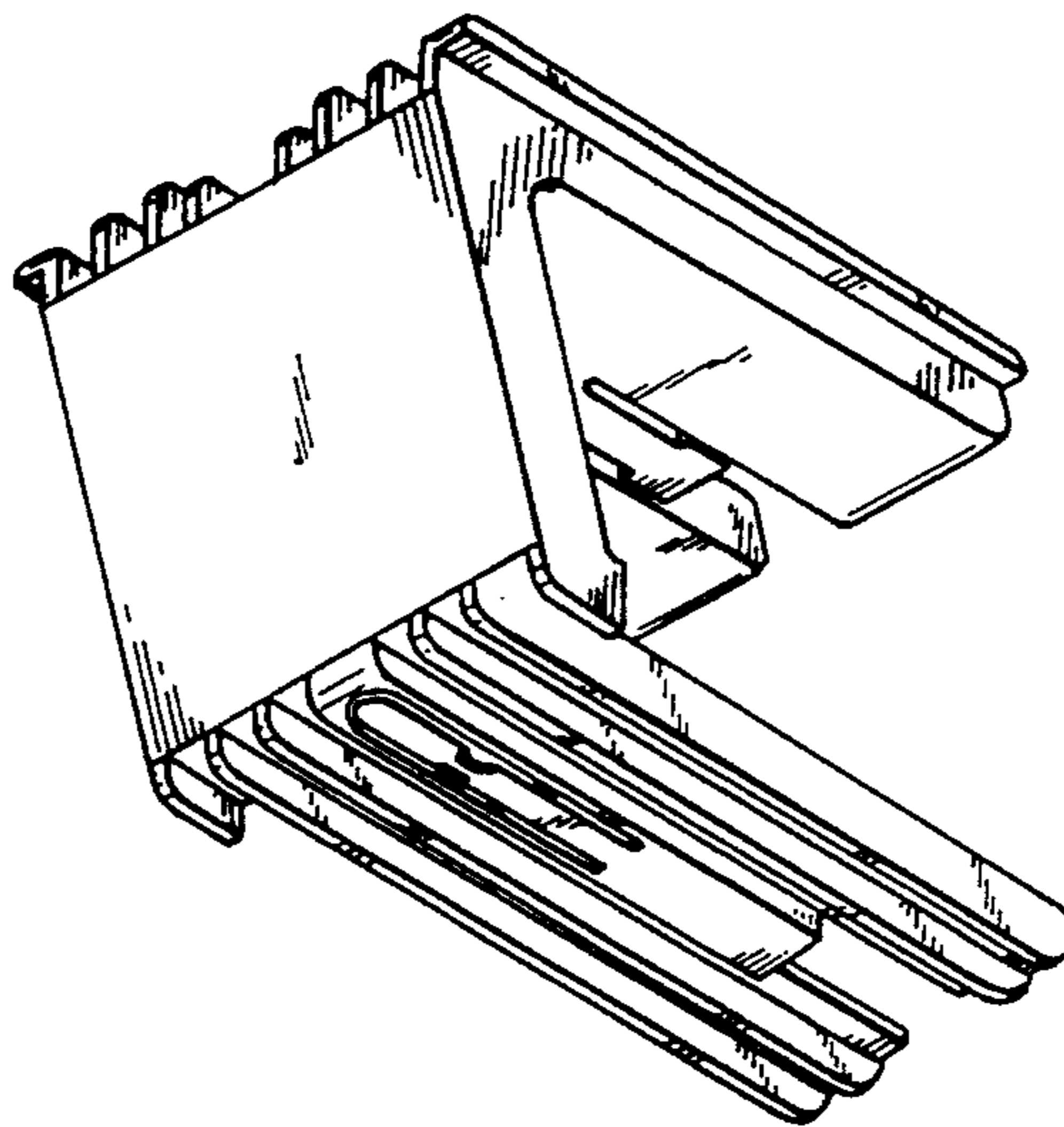
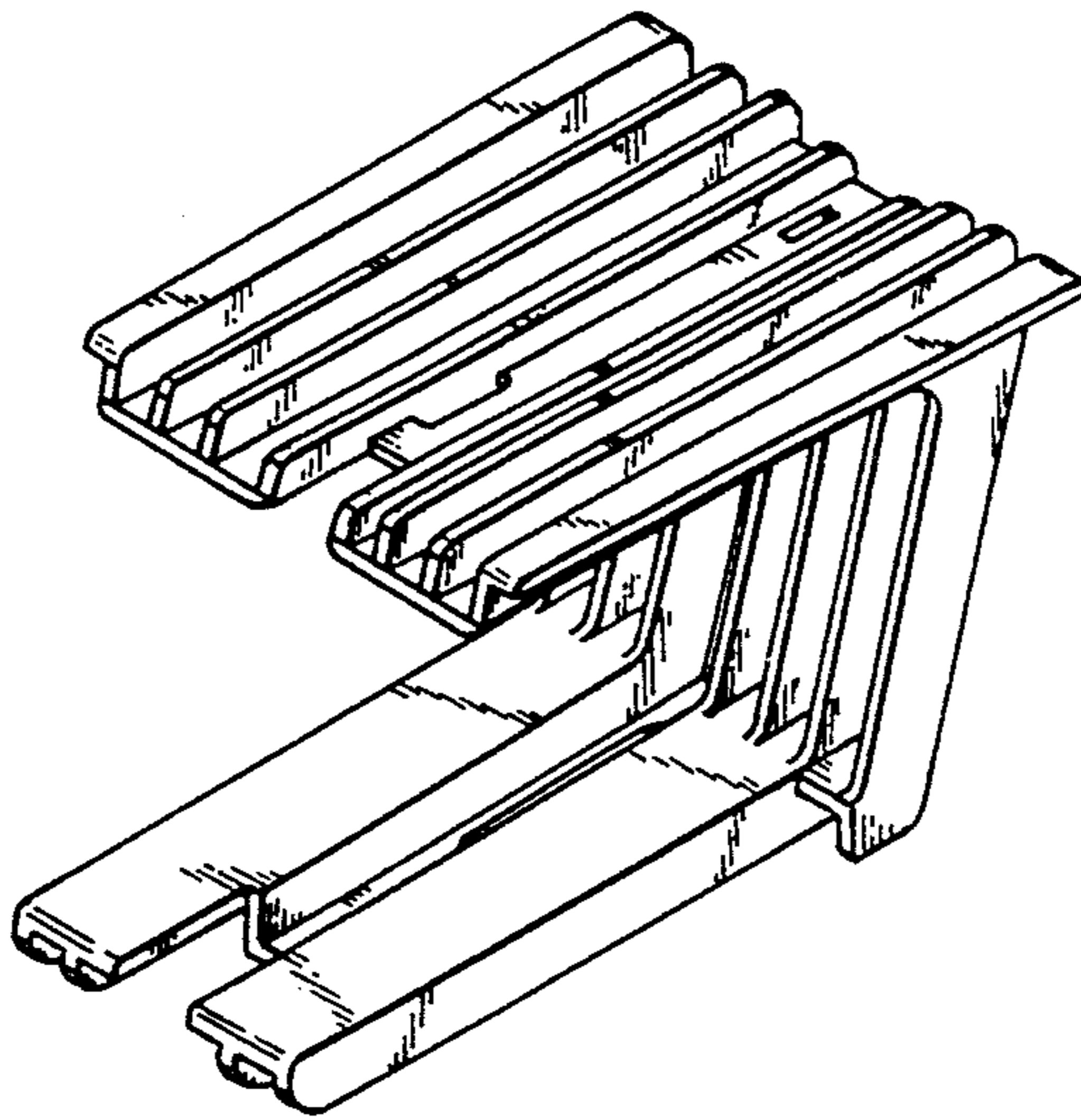


FIG. 1.

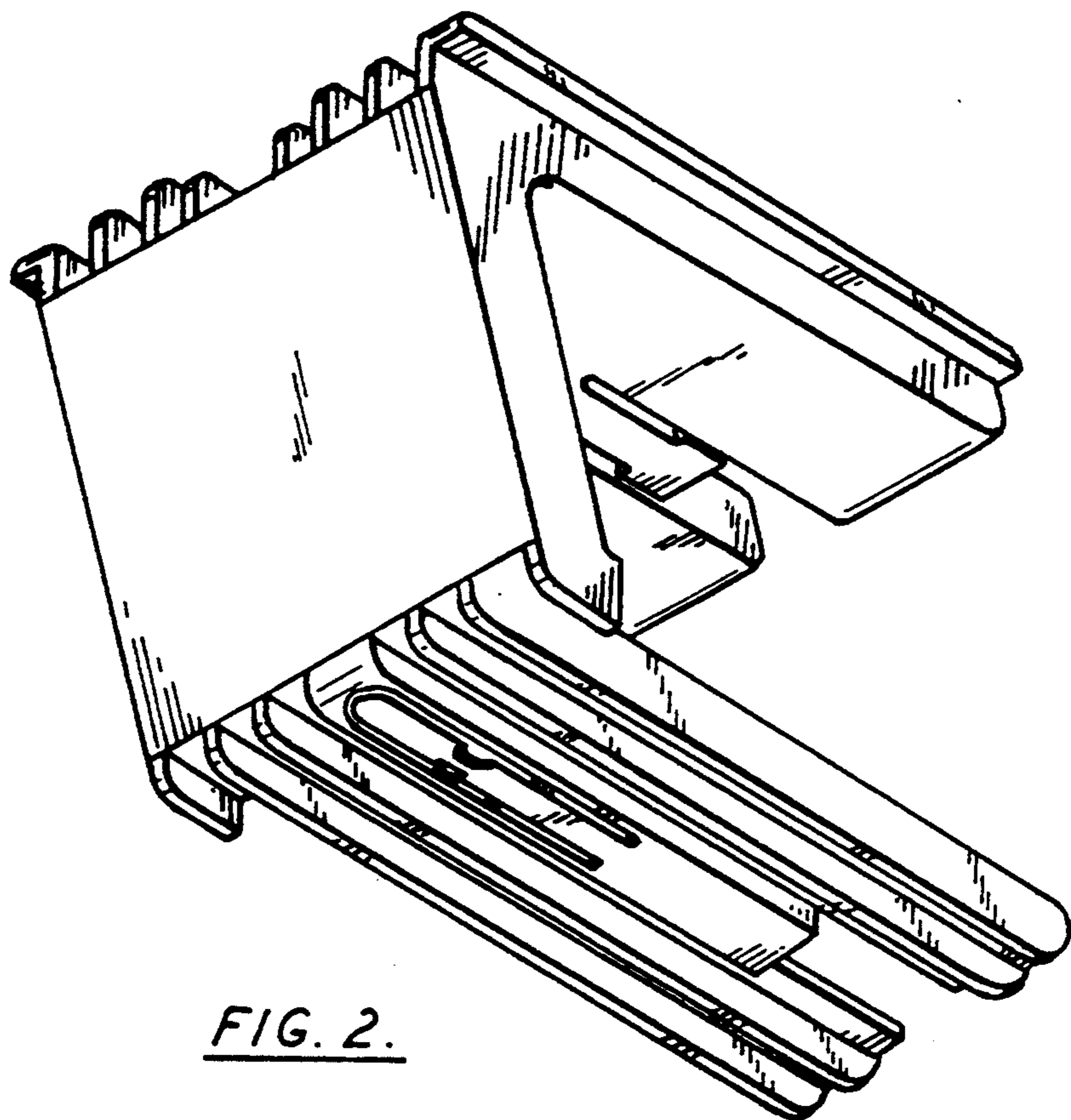
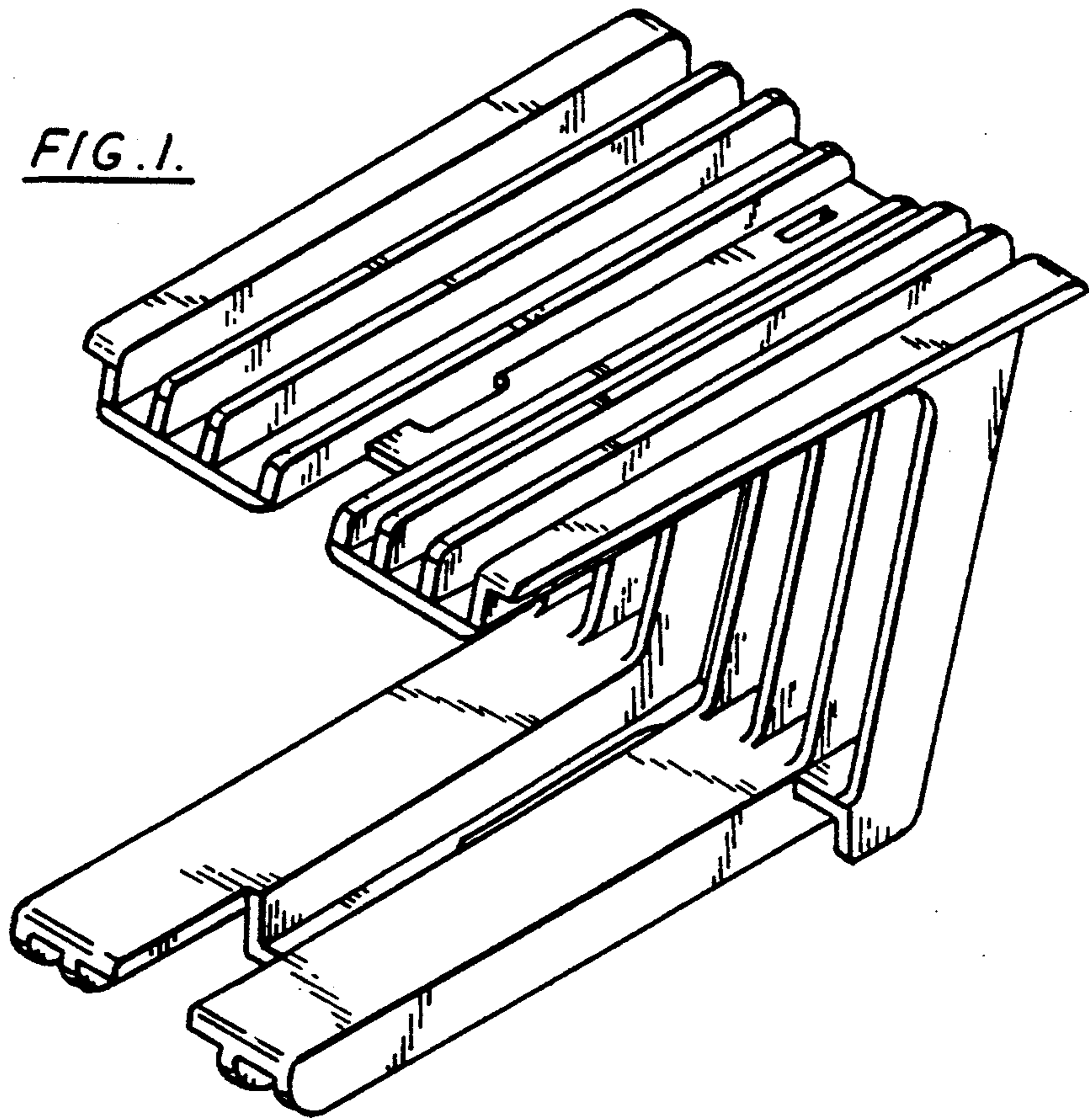


FIG. 2.

FIG. 3.

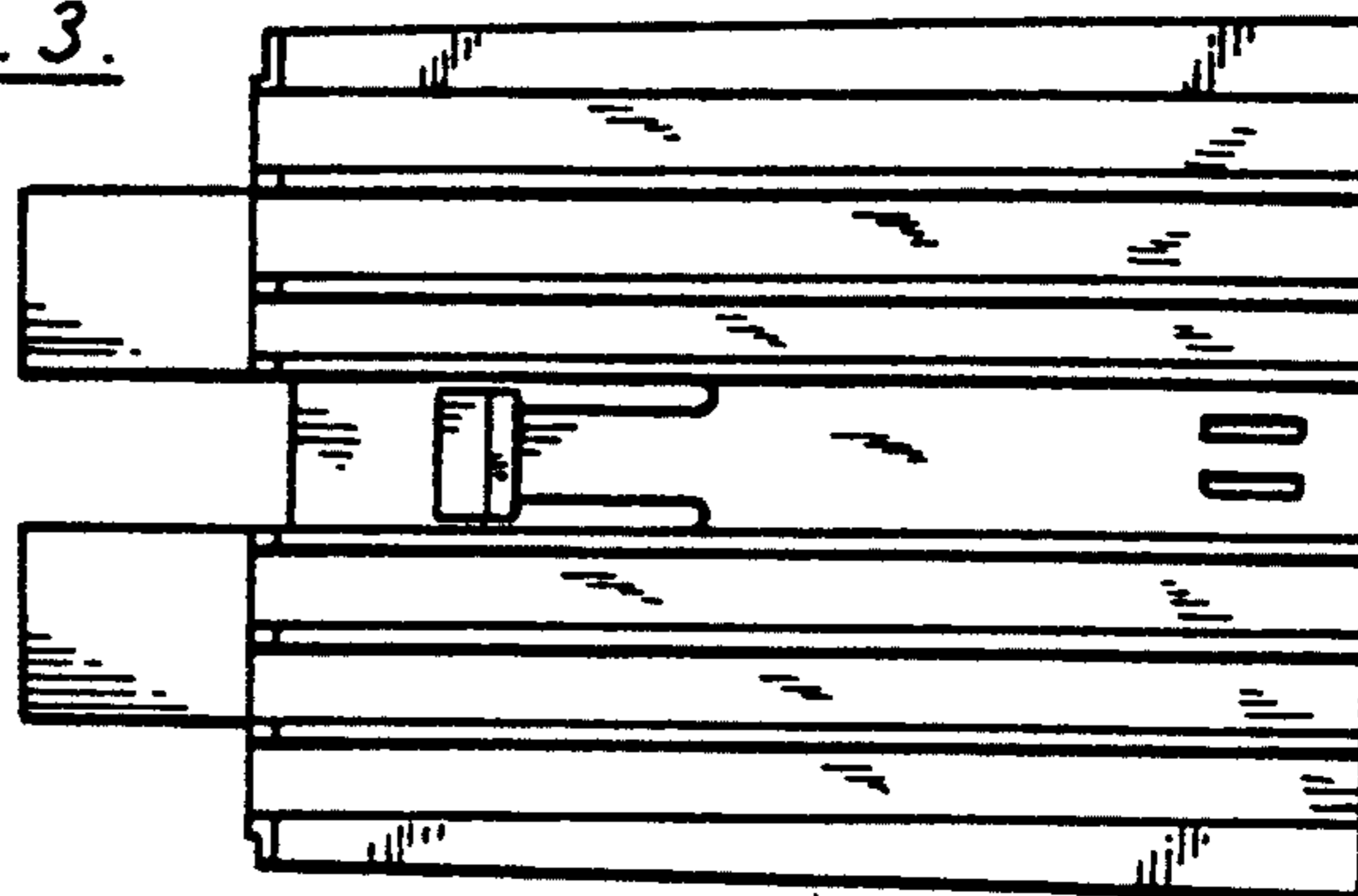


FIG. 4.

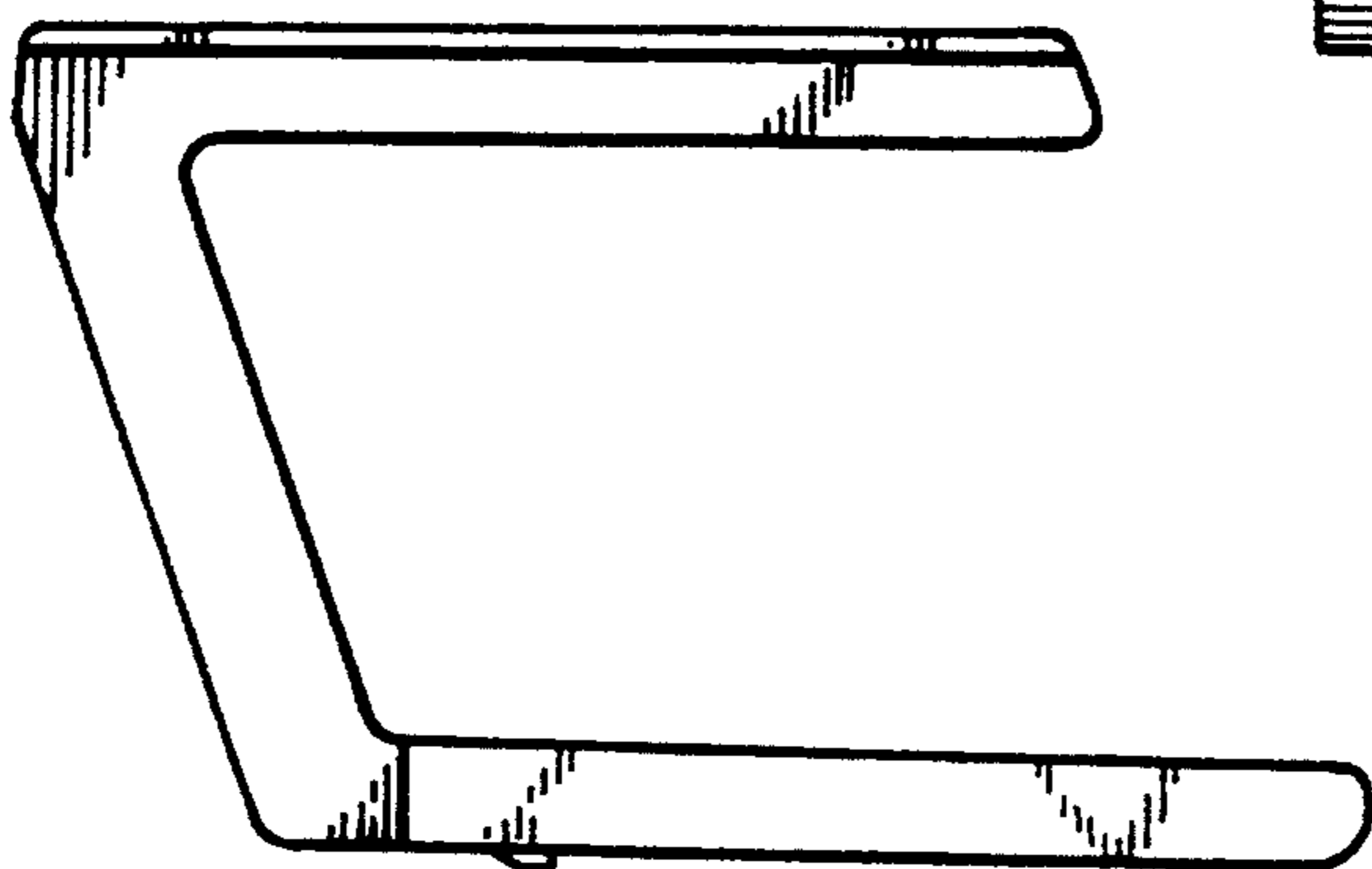


FIG. 5.

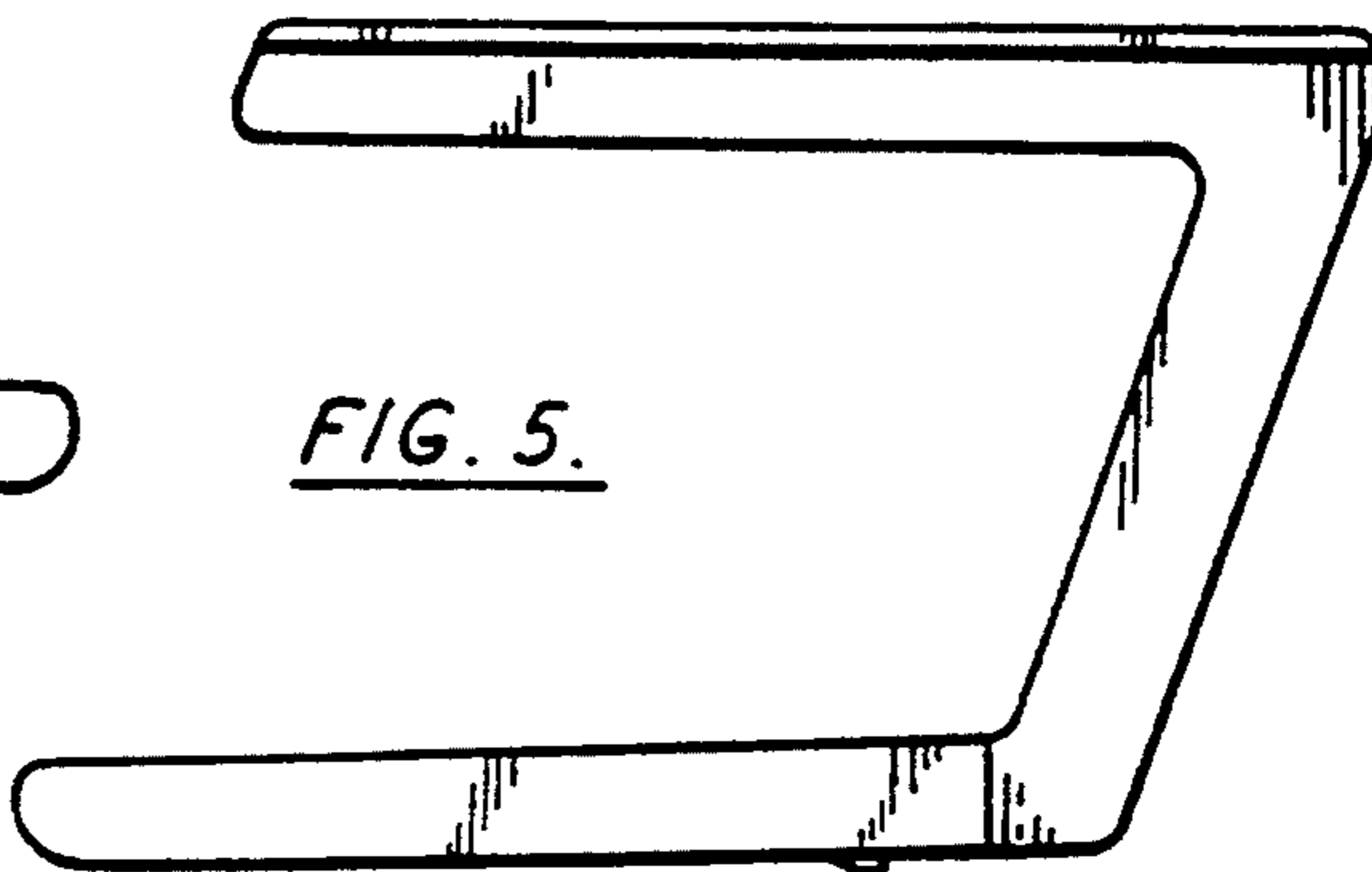


FIG. 6.

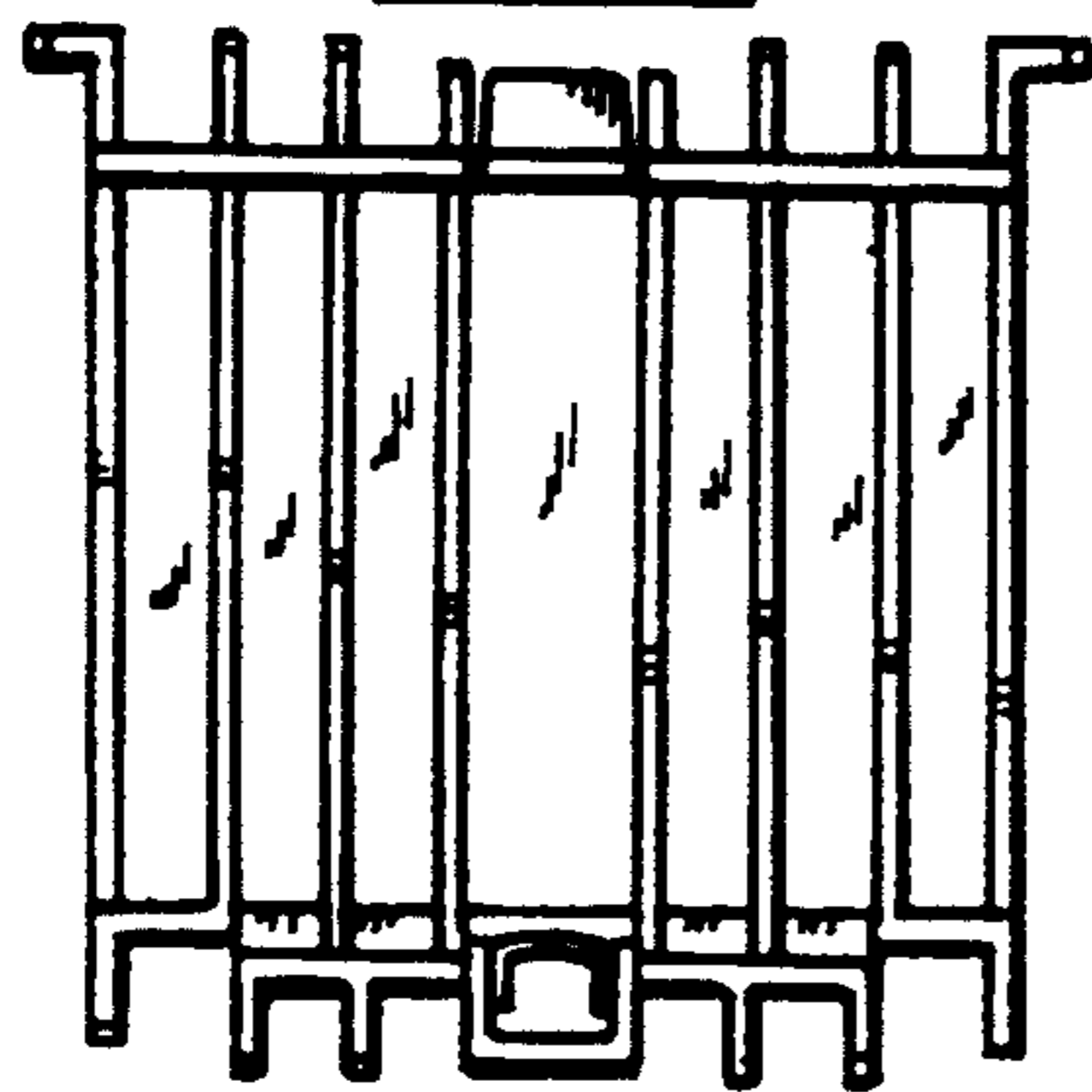


FIG. 7.

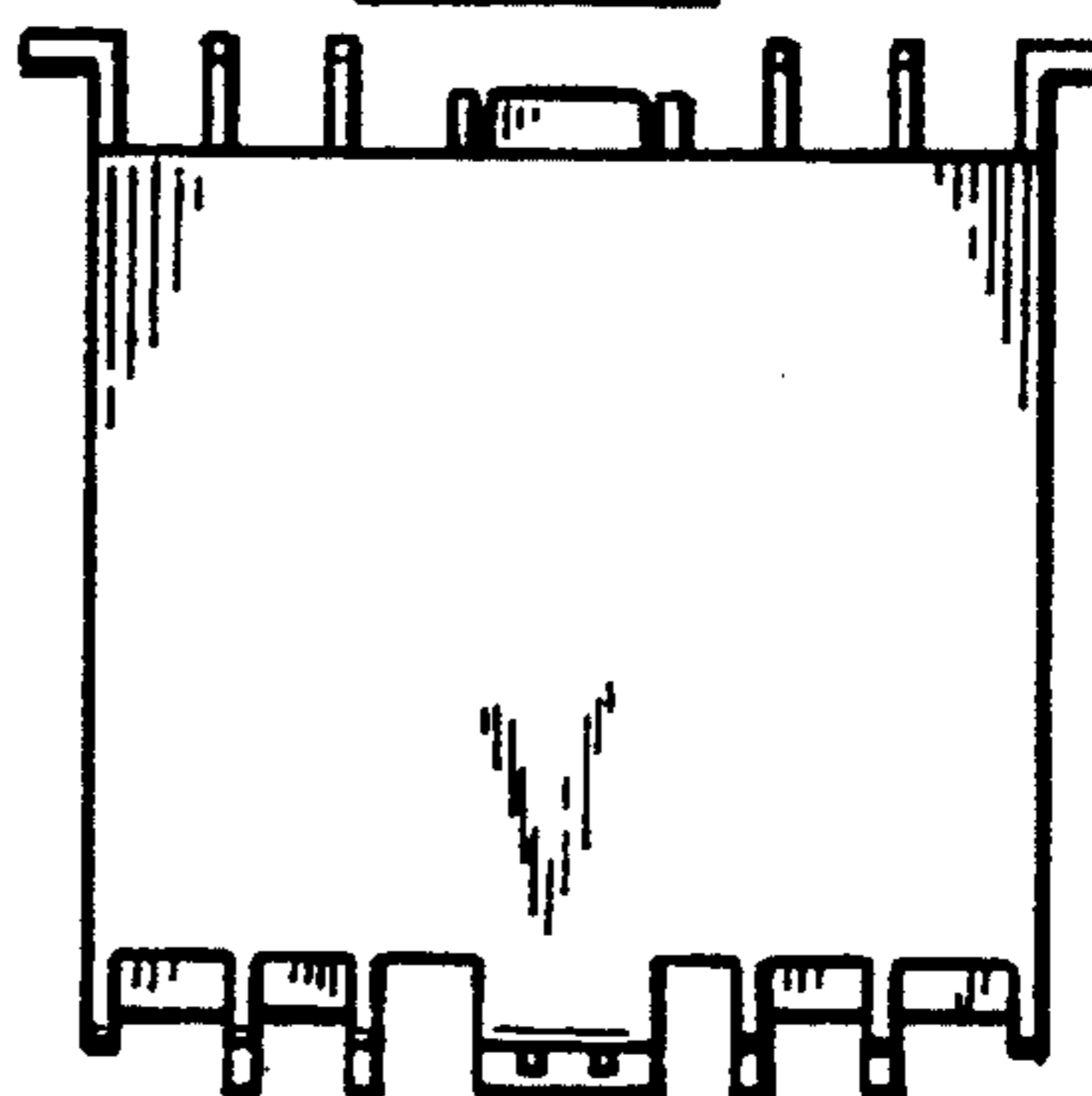


FIG. 8.

