



US00D349232S

United States Patent [19]

[11] Patent Number: Des. 349,232

Lebow

[45] Date of Patent: ** Aug. 2, 1994

[54] PIPE SHOE GUIDE

4,858,861 8/1989 Wilkinson, III .

[76] Inventor: Dwight R. Lebow, 465 Southern Oaks Dr., Lake Jackson, Tex. 77566

OTHER PUBLICATIONS

"For Hot Insulated Steel Pipe", Sheet.

[**] Term: 14 Years

Primary Examiner—Wallace R. Burke

[21] Appl. No.: 10,640

Assistant Examiner—H. Baynham

[22] Filed: Jul. 13, 1993

Attorney, Agent, or Firm—Browning, Bushman, Anderson & Brookhart

Related U.S. Application Data

[57] CLAIM

[62] Division of Ser. No. 616,004, Nov. 20, 1990, Pat. No. Des. 337,509.

The ornamental design for a pipe shoe guide, substantially as shown and described herein.

[52] U.S. Cl. D8/354

DESCRIPTION

[58] Field of Search D8/354, 71, 349; 248/74.1, 74 A, 74.5, 316.5; 403/385-386

FIG. 1 is a front perspective view of a pipe shoe guide showing my new design;

FIG. 2 is a rear perspective view thereof;

FIG. 3 is a bottom perspective view thereof; and,

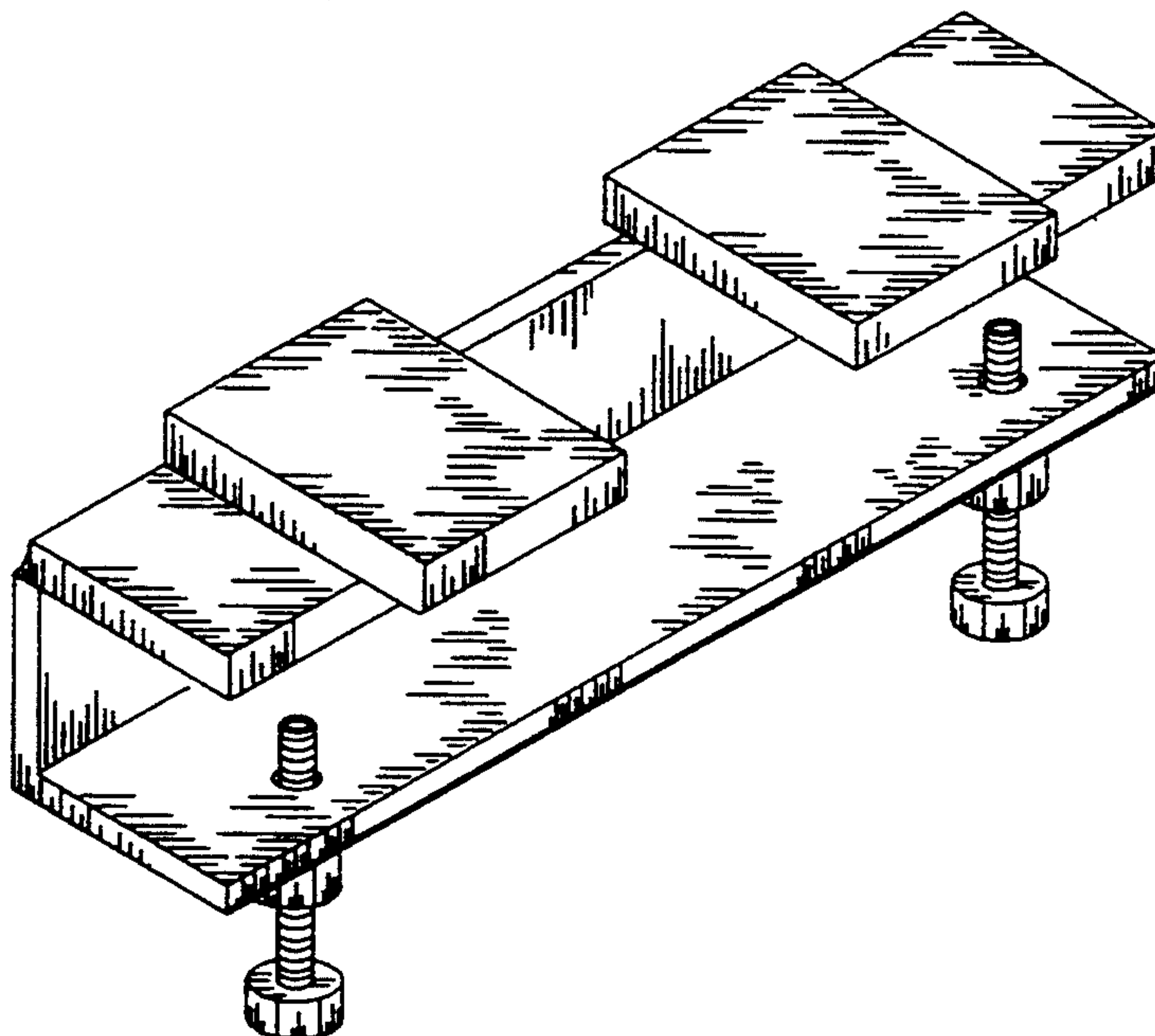
FIG. 4 is a bottom plan view thereof.

[56] References Cited

U.S. PATENT DOCUMENTS

- D. 318,409 7/1991 Garrett .
- 4,795,114 1/1989 Usui et al. 248/74.1 X
- 4,826,114 5/1989 Umehara 248/74.1

The broken line showing of a pipe shoe and a structural beam is for illustrative purposes only and forms no part of the claimed design.



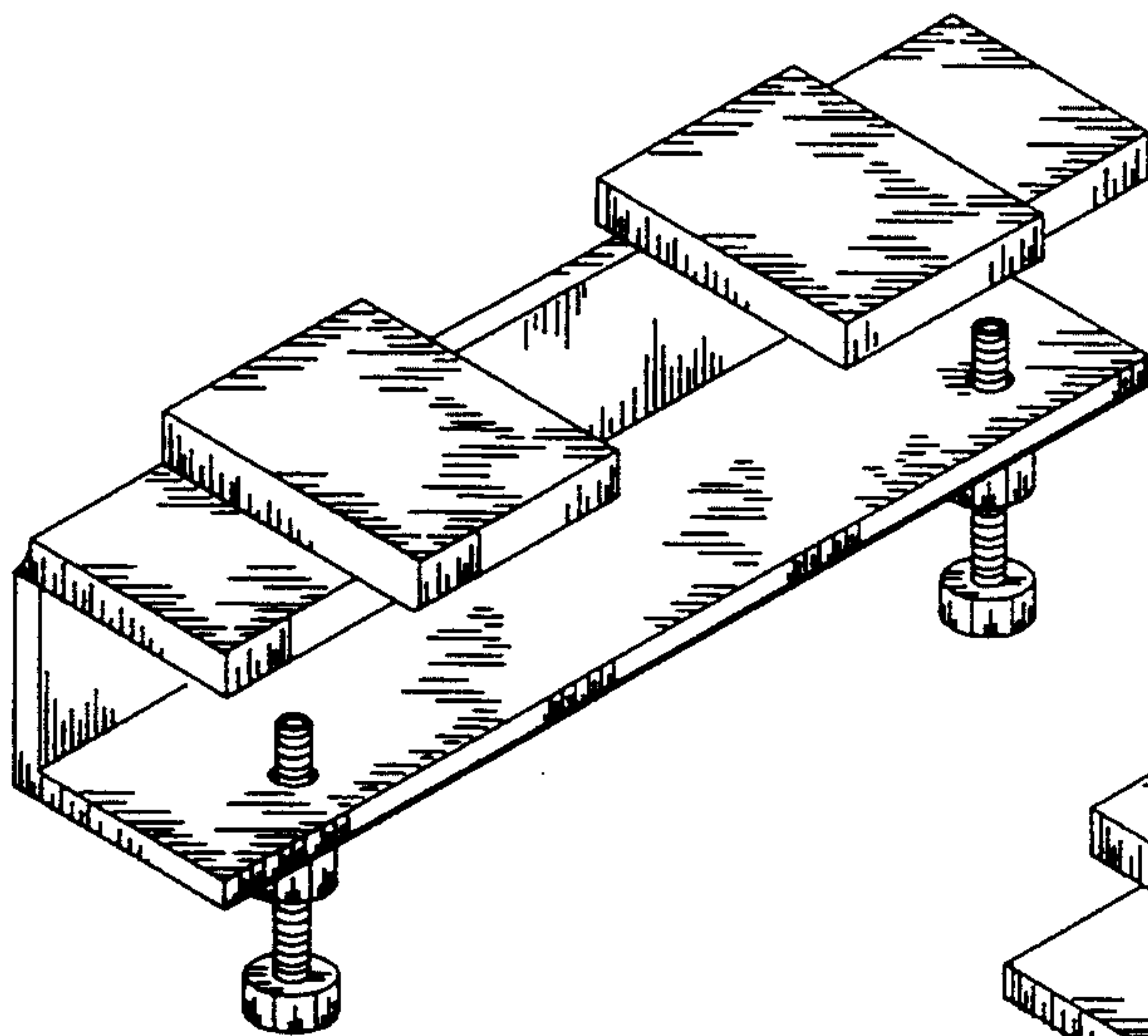


FIG. 1

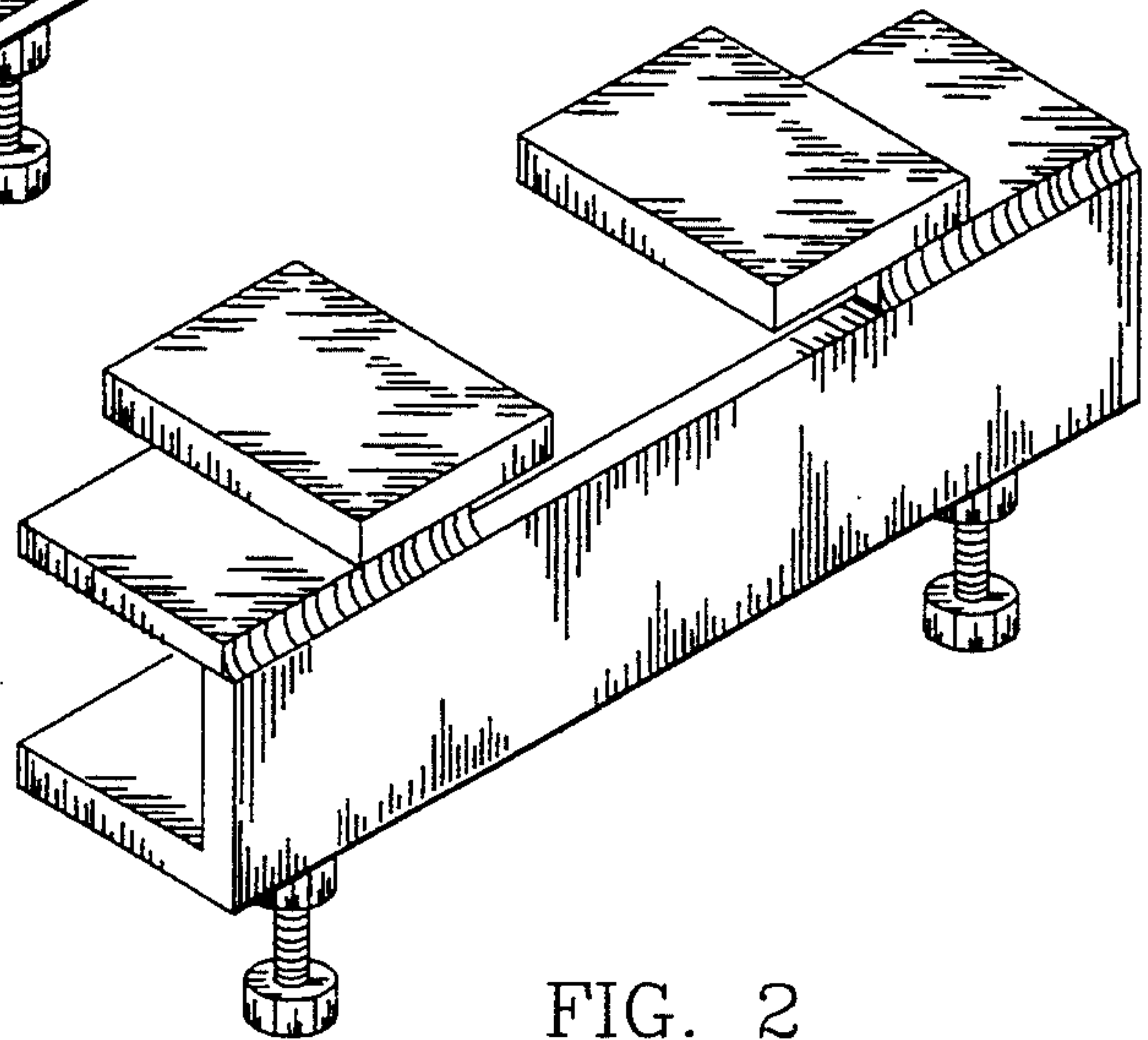


FIG. 2

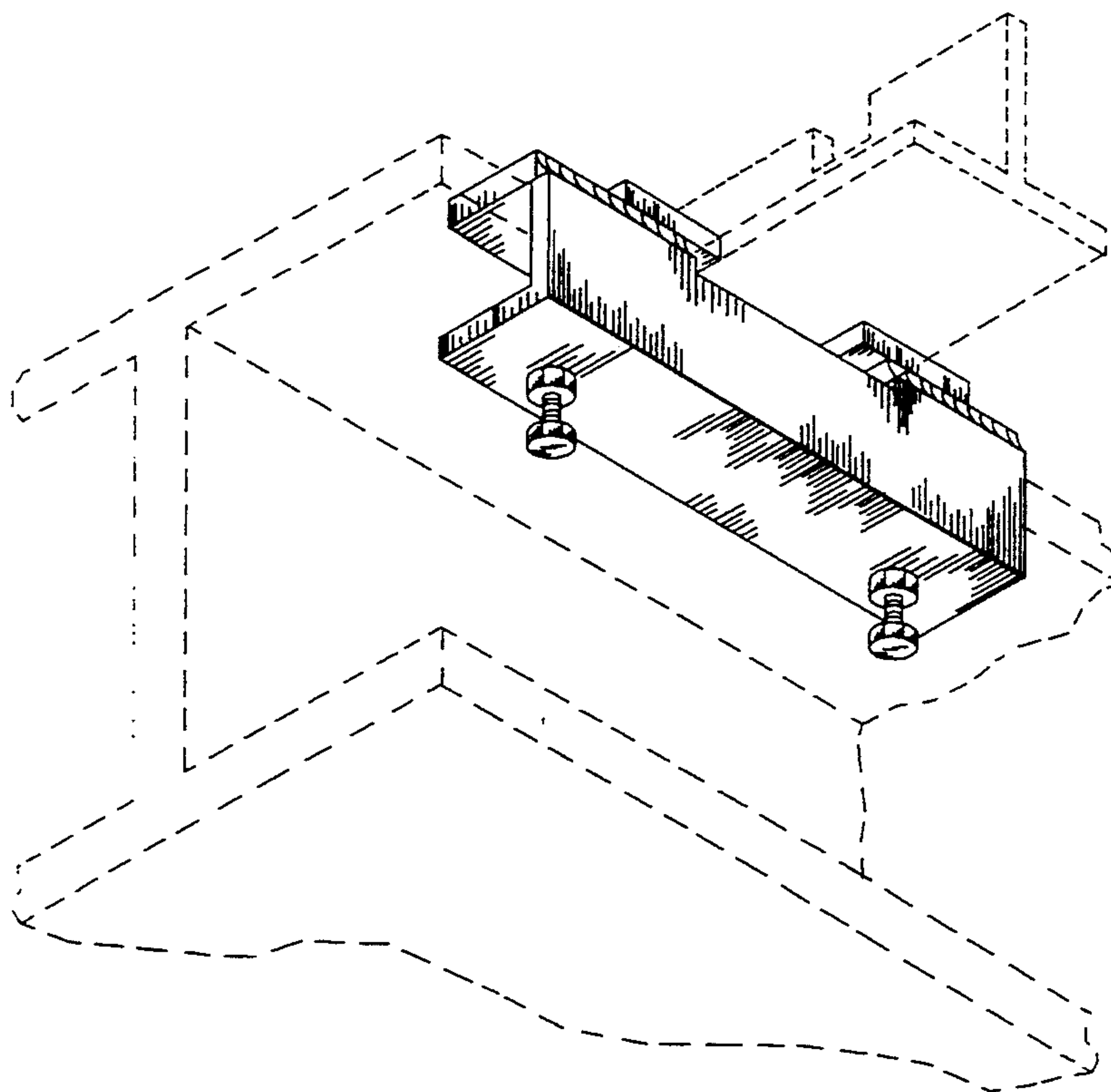


FIG. 3

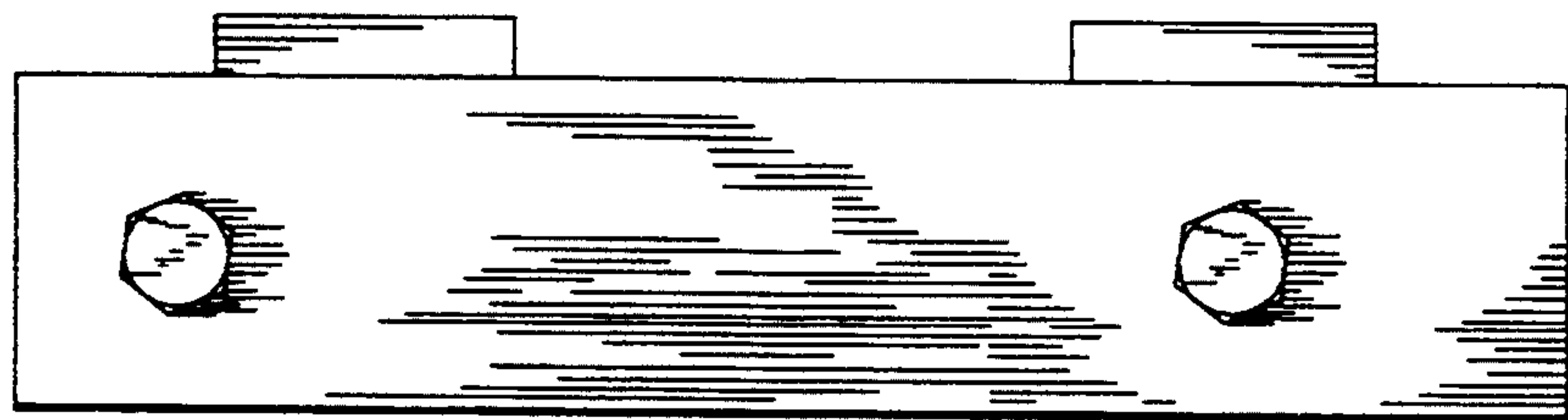


FIG. 4

UNITED STATES PATENT AND TRADEMARK OFFICE
CERTIFICATE OF CORRECTION

PATENT NO. : Des. 349,232
DATED : August 2, 1994
INVENTOR(S) : Dwight R. Lebow

It is certified that error appears in the above-identified patent and that said Letters Patent is hereby corrected as shown below:

On the title page: Item [57]

Under "DESCRIPTION" in line 1, delete "show" and insert therefor --shoe--.

Signed and Sealed this

Twenty-seventh Day of September, 1994

Attest:



BRUCE LEHMAN

Attesting Officer

Commissioner of Patents and Trademarks