



US00D349231S

# United States Patent [19]

[11] Patent Number: **Des. 349,231**

Cislo

[45] Date of Patent: **\*\* Aug. 2, 1994**

[54] **LOCKING CASE BRACKET**

4,890,466 1/1990 Cislo ..... 70/63  
5,009,088 4/1991 Cislo ..... 70/63

[75] Inventor: **Daniel M. Cislo, Malibu, Calif.**

[73] Assignee: **The Securecase Company, Santa Monica, Calif.**

[\*\*] Term: **14 Years**

[21] Appl. No.: **2,090**

[22] Filed: **Dec. 3, 1992**

[52] U.S. Cl. .... **D8/349**

[58] Field of Search ..... **D8/349, 354, 366, 373; 248/223.4, 224.1-224.2, 224.3, 224.4; 70/70, 63**

[56] **References Cited**

**U.S. PATENT DOCUMENTS**

D. 227,858	7/1973	Goldman et al. ....	D8/373
D. 236,950	9/1975	Goldman et al. ....	D8/373
D. 301,304	5/1989	Will .....	D8/373
D. 309,706	8/1990	Propp .....	D8/373
1,798,223	3/1931	Richardson .....	248/61 X
4,031,722	6/1977	Michelman et al. ....	70/63
4,114,158	9/1978	Verini .....	248/223.4 X
4,468,940	9/1984	Davis .....	70/63
4,788,838	12/1988	Cislo .....	70/63

**OTHER PUBLICATIONS**

Brochure—"Armloc, The Most Advanced Technology in Handgun Security, Safety & Styling" undated.  
Photo Brochure—"Guardian" by Daniel M. Cislo, undated.

*Primary Examiner*—Wallace R. Burke  
*Assistant Examiner*—H. Baynham  
*Attorney, Agent, or Firm*—Cislo & Thomas

**CLAIM**

The ornamental design for locking case, as shown.

**DESCRIPTION**

FIG. 1 is a perspective view of a locking case bracket showing my new design;  
FIG. 2 is a front elevational view thereof;  
FIG. 3 is a rear elevational view thereof;  
FIG. 4 is a left side elevational view thereof with the right side elevational view being a mirror image thereof; and,  
FIG. 5 is a top plan view thereof with the bottom plan view being a mirror image thereof.

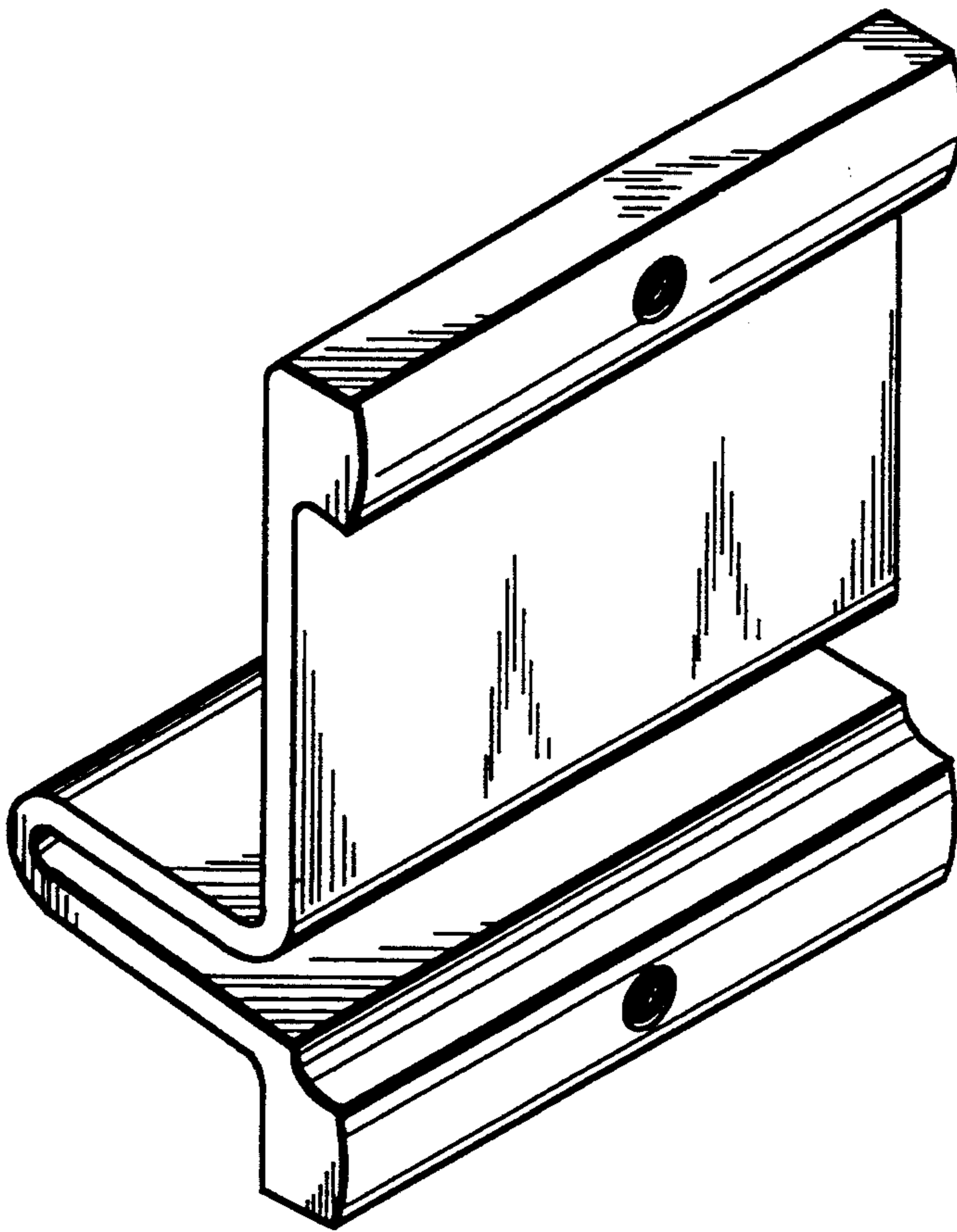


FIG. 1.

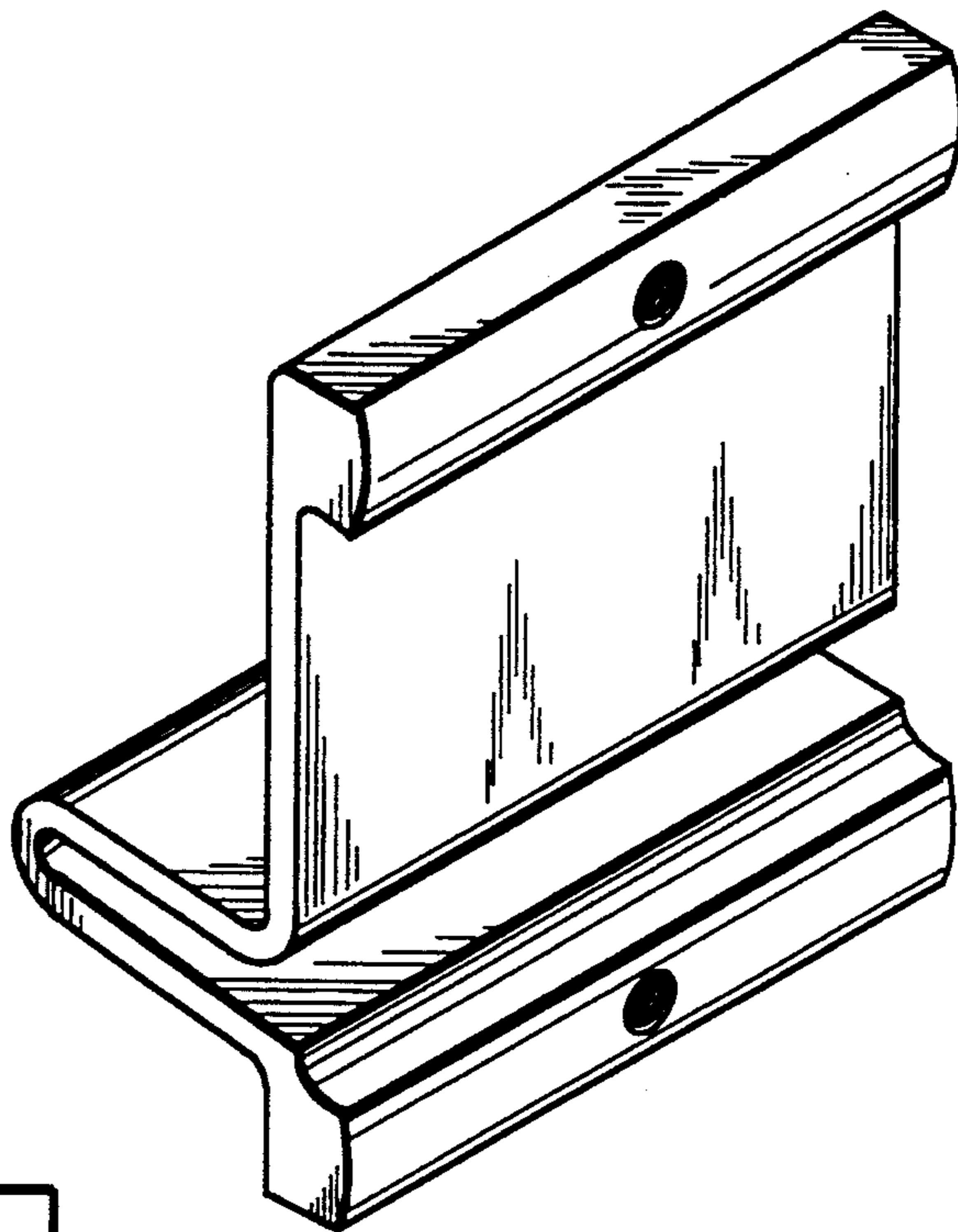


FIG. 2.

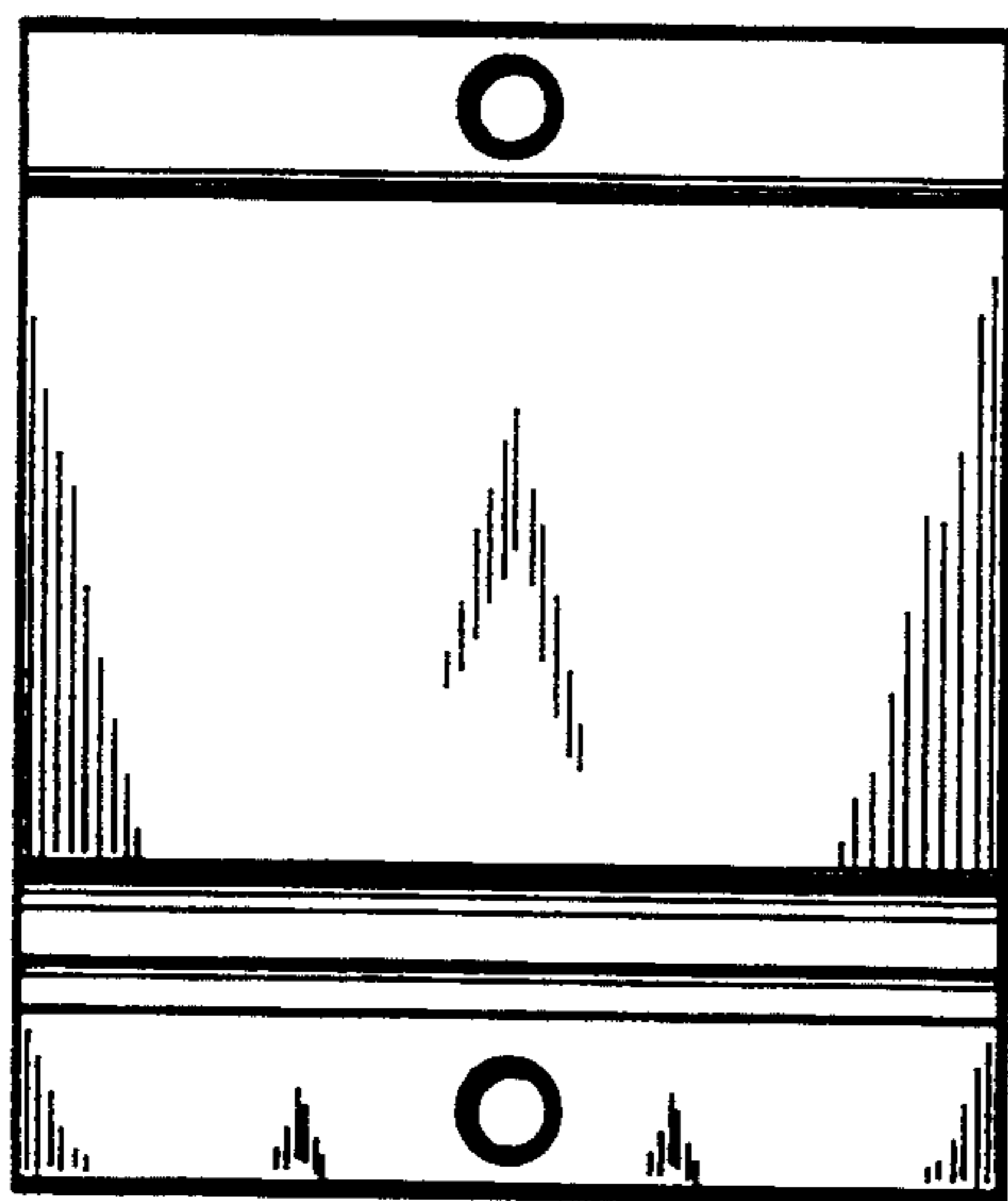


FIG. 3.

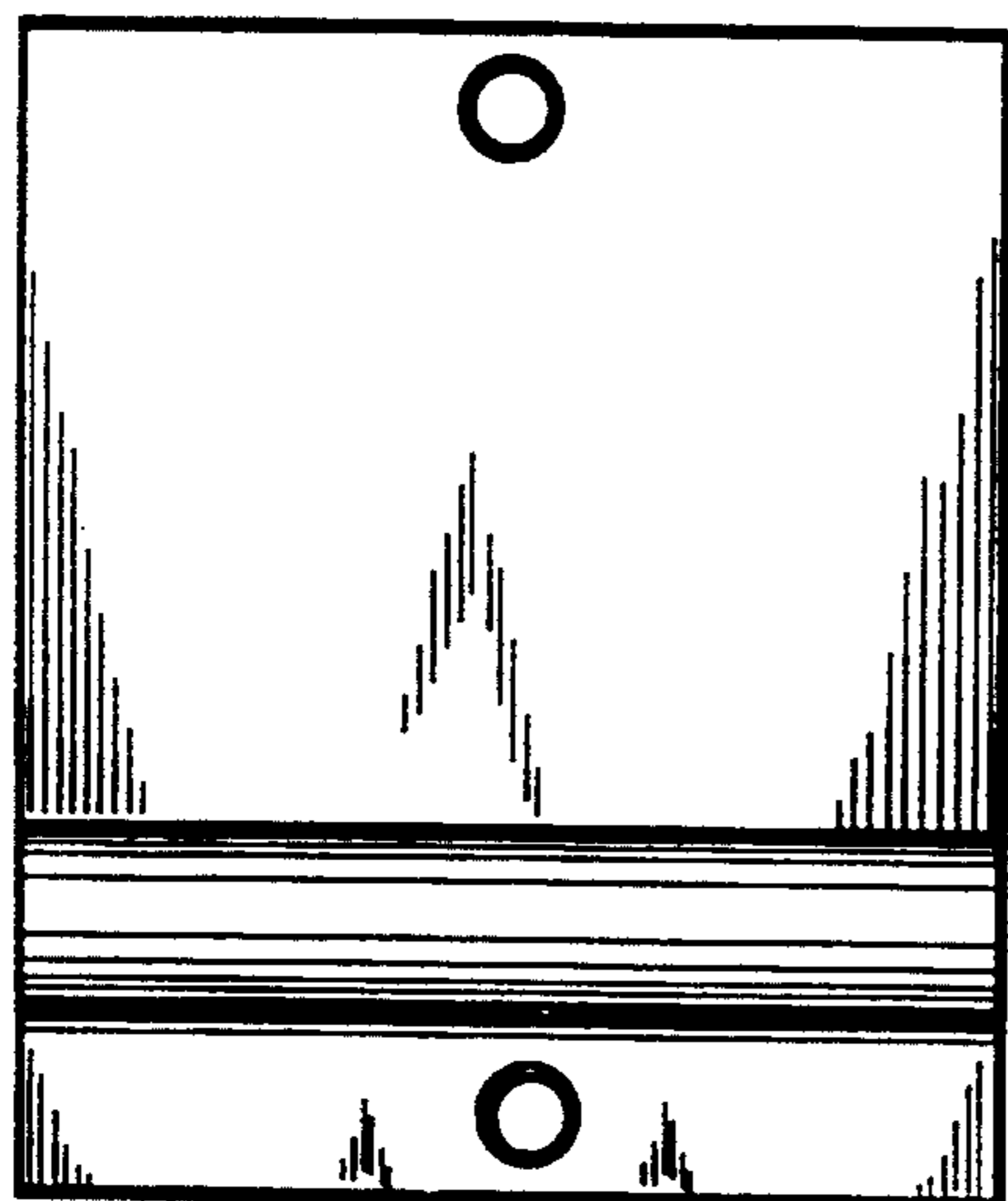


FIG. 4.

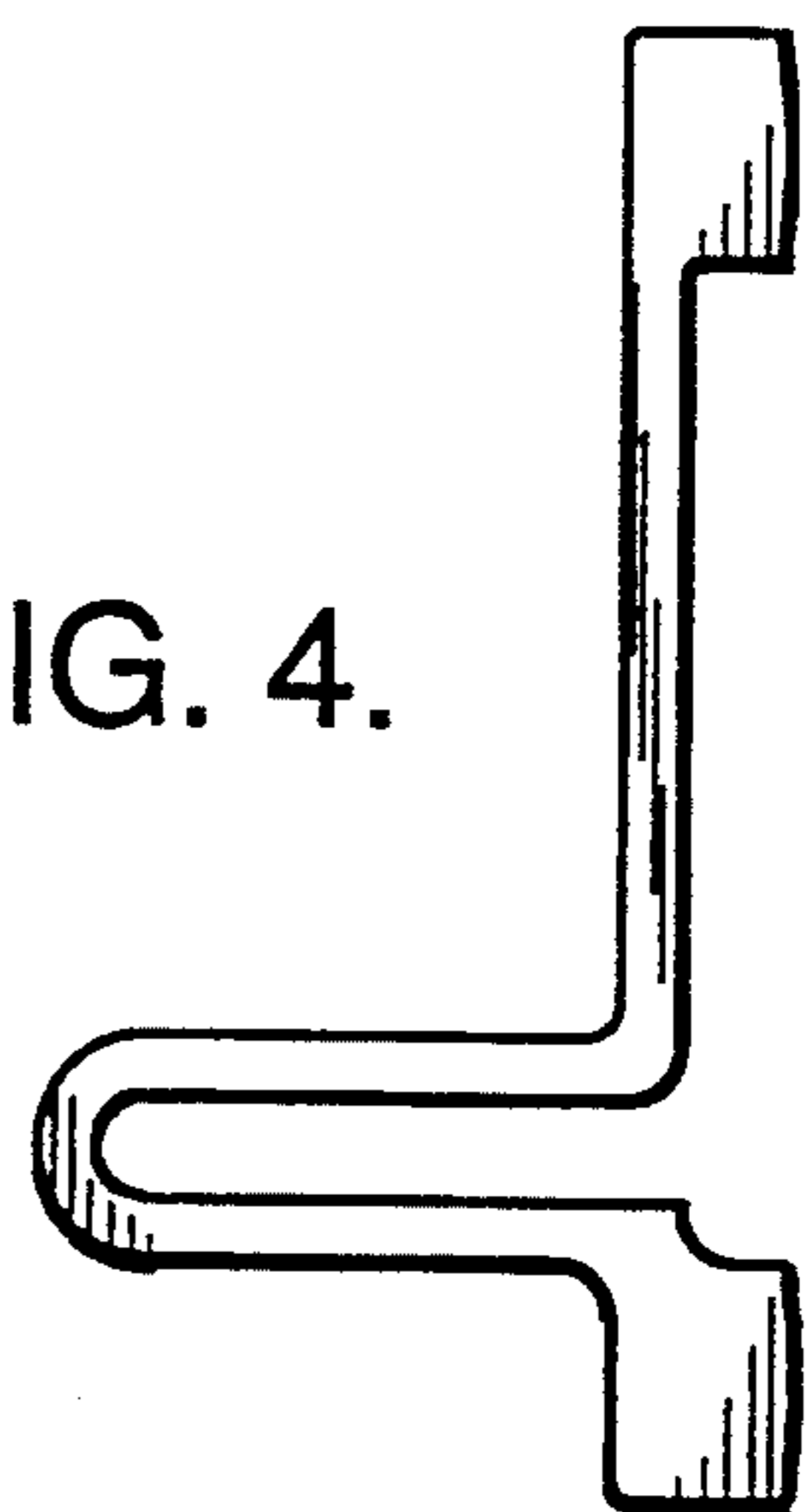


FIG. 5

