



US00D349230S

United States Patent [19]

[11] Patent Number: **Des. 349,230**

Essick

[45] Date of Patent: **** Aug. 2, 1994**

[54] **RELEASE KEY FOR A SECURITY CONTAINER**

2,672,747	3/1954	Craig	70/408
4,589,549	5/1986	Hehn	206/387
4,834,238	5/1989	Hehn et al.	206/387

[75] Inventor: **Gale W. Essick**, E. Canton, Ohio

Primary Examiner—Brian N. Vinson
Attorney, Agent, or Firm—Michael Sand Co.

[73] Assignee: **Alpha Enterprises, Inc.**, North Canton, Ohio

[57] **CLAIM**

[**] Term: **14 Years**

The ornamental design for a release key for a security container, as shown and described.

[21] Appl. No.: **4,026**

DESCRIPTION

[22] Filed: **Jan. 25, 1993**

[52] U.S. Cl. **D8/347**

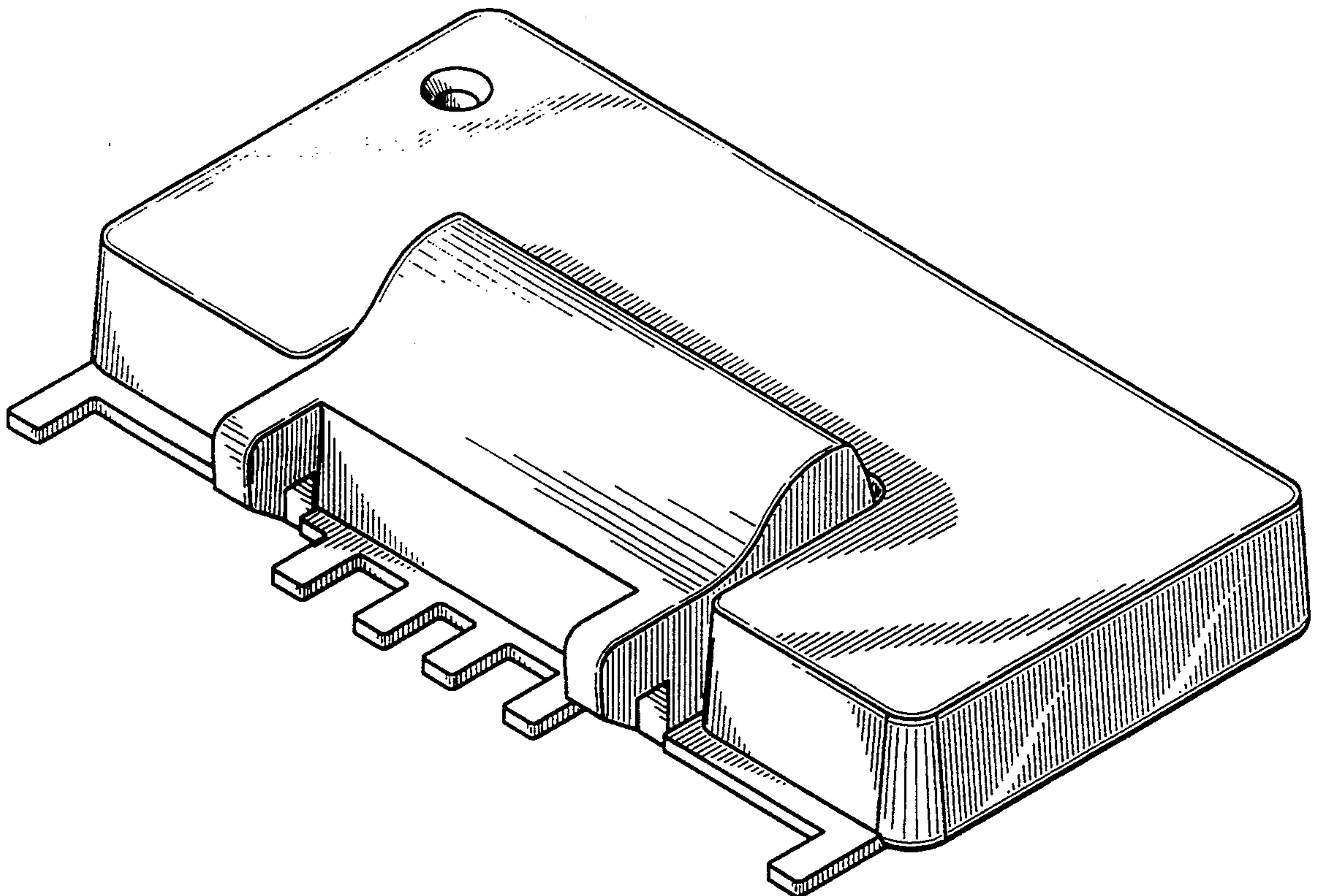
[58] Field of Search **D8/347-348;**
70/393, 401, 408, 416, 429-430

FIG. 1 is a perspective view of a release key for a security container showing my new design;
FIG. 2 is a top plan view thereof;
FIG. 3 is a right side elevational view thereof, the left side being a mirror image;
FIG. 4 is a front elevational view thereof;
FIG. 5 is a rear elevational view thereof; and,
FIG. 6 is a bottom plan view thereof.

[56] **References Cited**

U.S. PATENT DOCUMENTS

D. 303,080 8/1989 Phillips D8/347



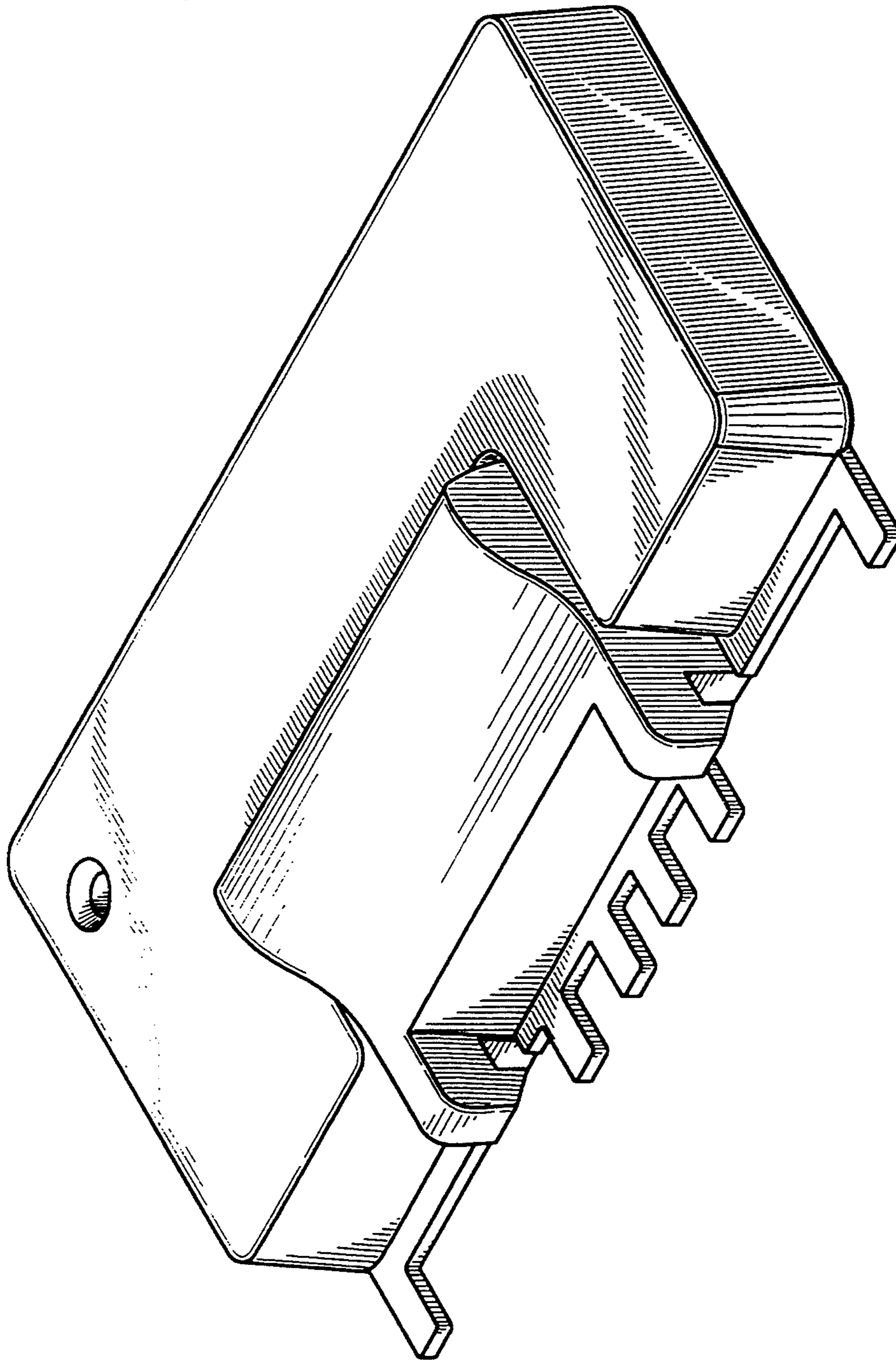


FIG-1

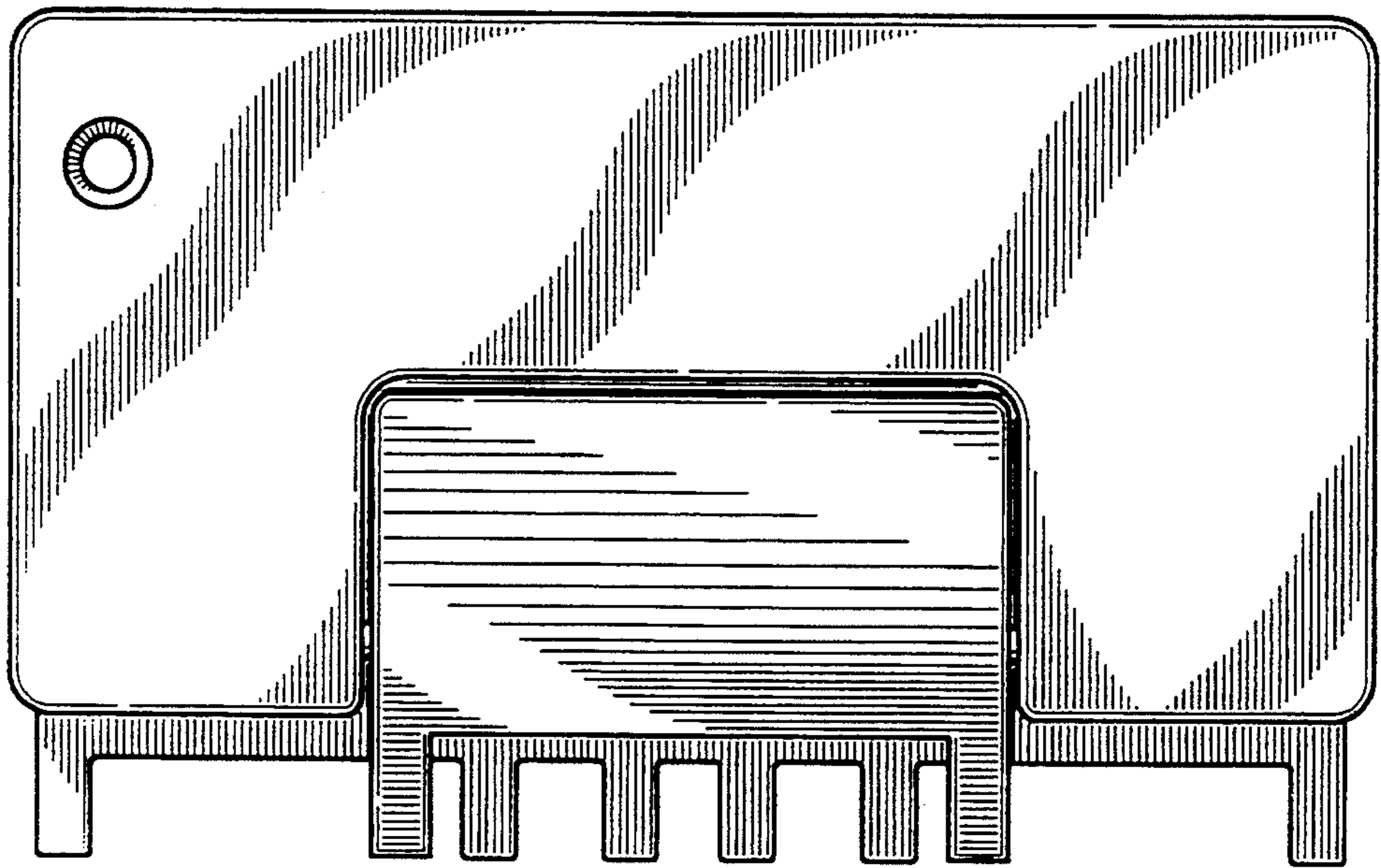


FIG-2

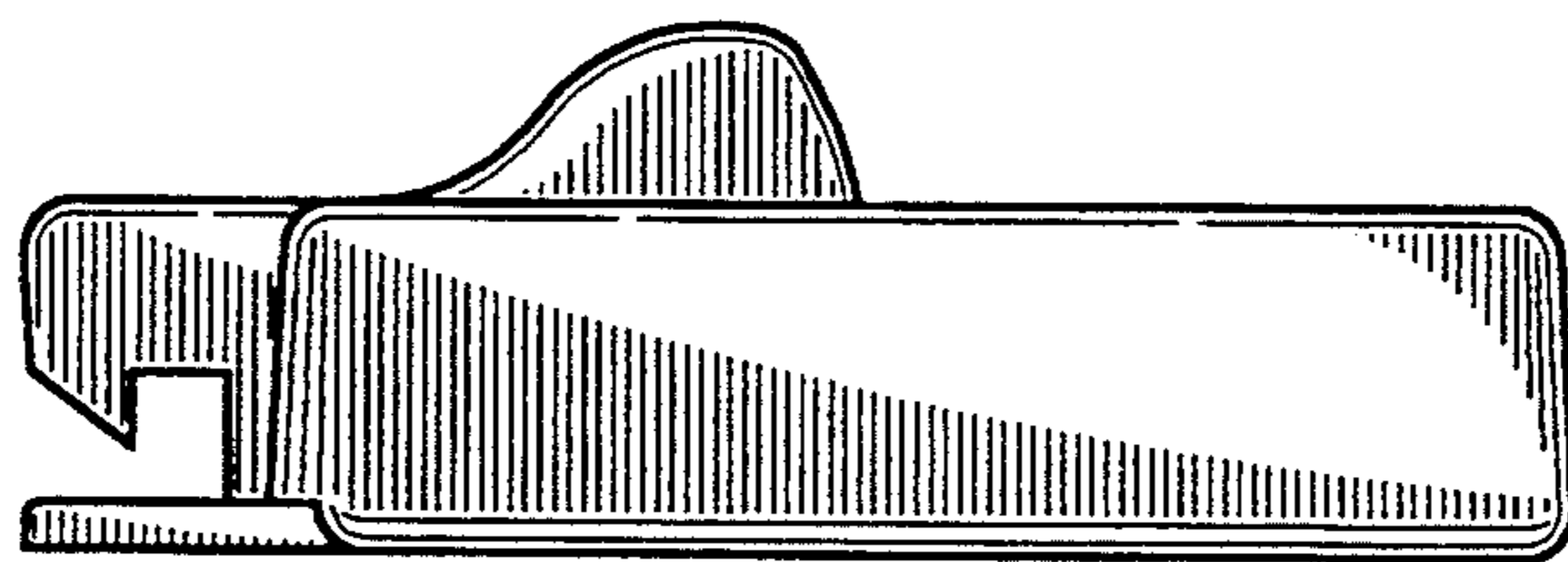


FIG-3

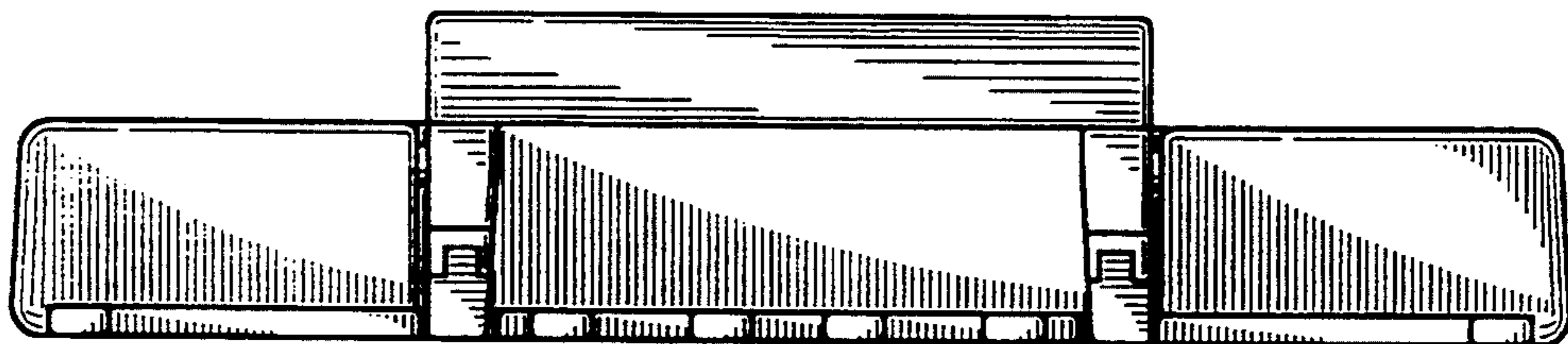


FIG-4

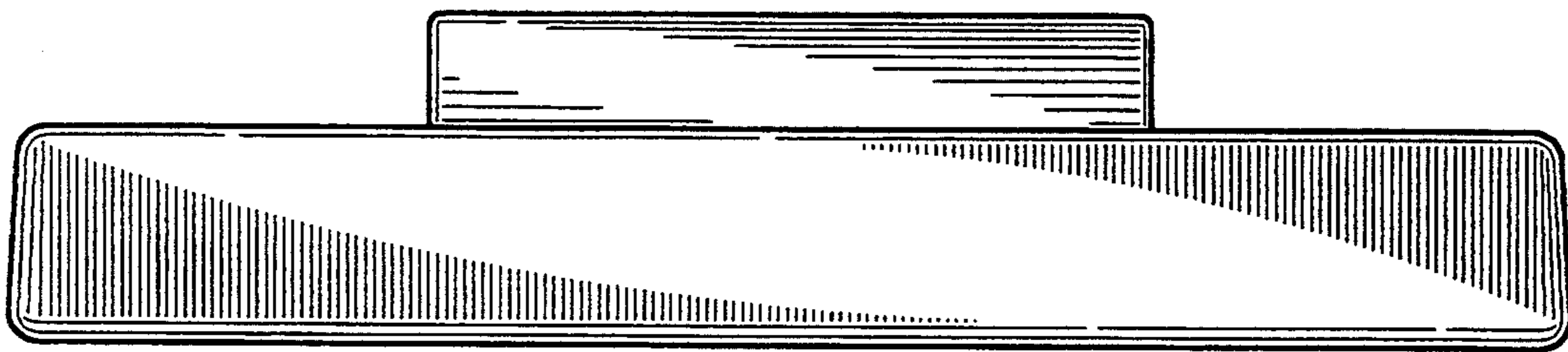


FIG-5

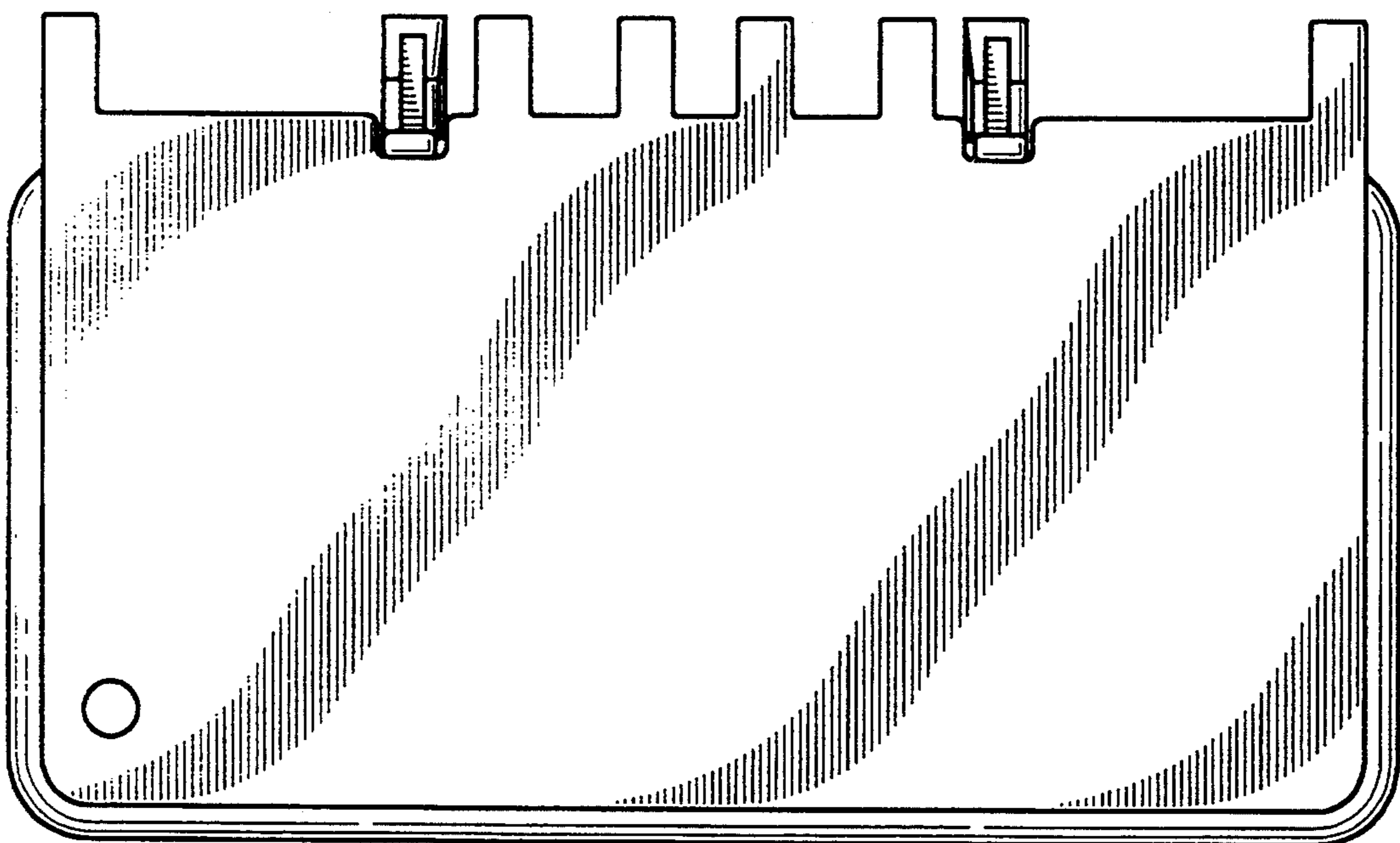


FIG-6