



US00D349229S

United States Patent [19]

[11] Patent Number: **Des. 349,229**

Larsen

[45] Date of Patent: **** Aug. 2, 1994**

[54] **RESTRAINT LATCH FOR TRUCKS**

5,203,663 4/1993 Ruppe 414/584
5,212,846 5/1993 Hahn 414/401

[75] Inventor: **Kurt K. Larsen, Pell City, Ala.**

Primary Examiner—Wallace R. Burke
Assistant Examiner—M. Brown
Attorney, Agent, or Firm—Veal & Associates

[73] Assignee: **Blue Giant Equipment Corporation, Pell City, Ala.**

[**] Term: **14 Years**

[57] **CLAIM**

[21] Appl. No.: **3,080**

The ornamental design for restraint latch for trucks, as shown.

[22] Filed: **Dec. 28, 1992**

[52] U.S. Cl. **D8/331**

DESCRIPTION

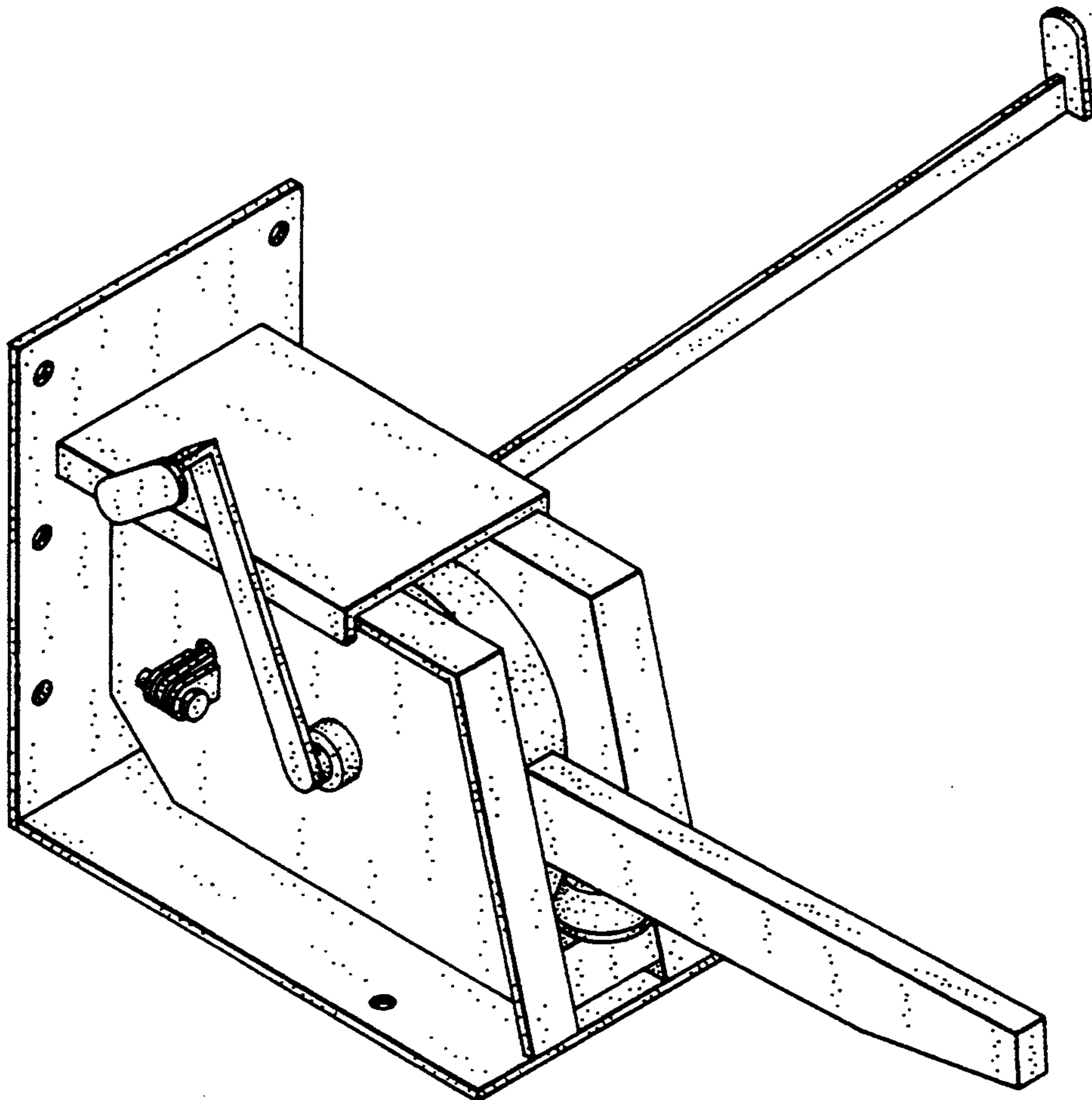
[58] Field of Search 414/396, 401, 584;
14/71.1; D8/330, 331; D34/28, 35

FIG. 1 is a front perspective view of a restraint latch for trucks showing my new design;
FIG. 2 is a rear perspective view thereof;
FIG. 3 is an enlarged side elevational view thereof;
FIG. 4 is an enlarged side elevational view of the side opposite that shown in FIG. 3;
FIG. 5 is an enlarged front elevational view thereof;
FIG. 6 is an enlarged rear elevational view thereof; and,
FIG. 7 is a enlarged top plan view thereof, with the release arm shown broken away for convenience of illustration, the bottom view being plain and unornamented.

[56] References Cited

U.S. PATENT DOCUMENTS

D. 320,338	10/1991	Mastrogiovanni	D8/331
4,630,989	12/1986	Davey	414/401
4,634,334	1/1987	Hahn et al.	414/401
4,648,781	3/1987	Sikora	414/401
4,865,507	9/1989	Trickle	414/401
4,887,954	12/1989	Gregerson et al.	414/396
4,988,254	1/1991	Alexander	414/401



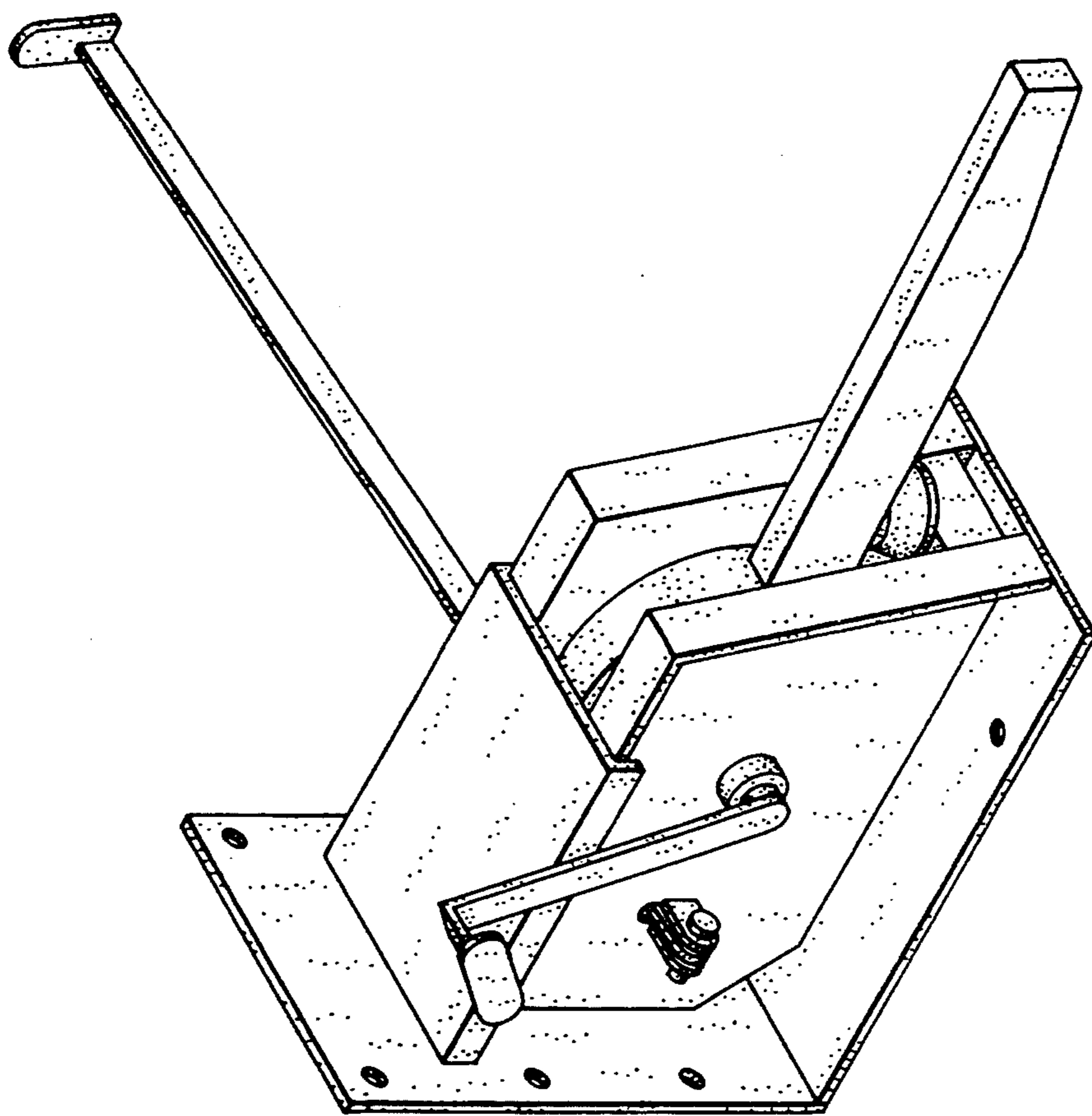


FIG. 1

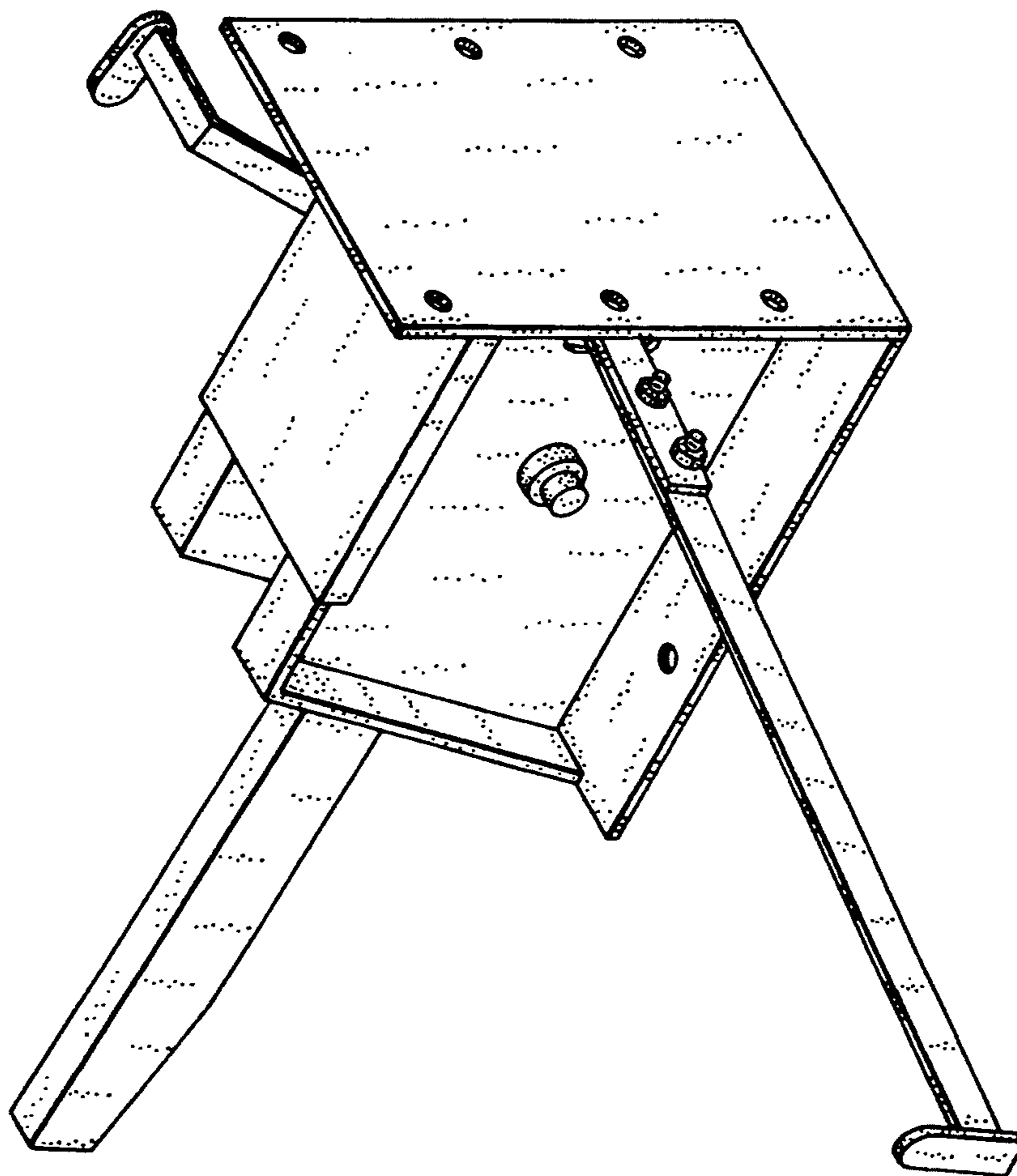
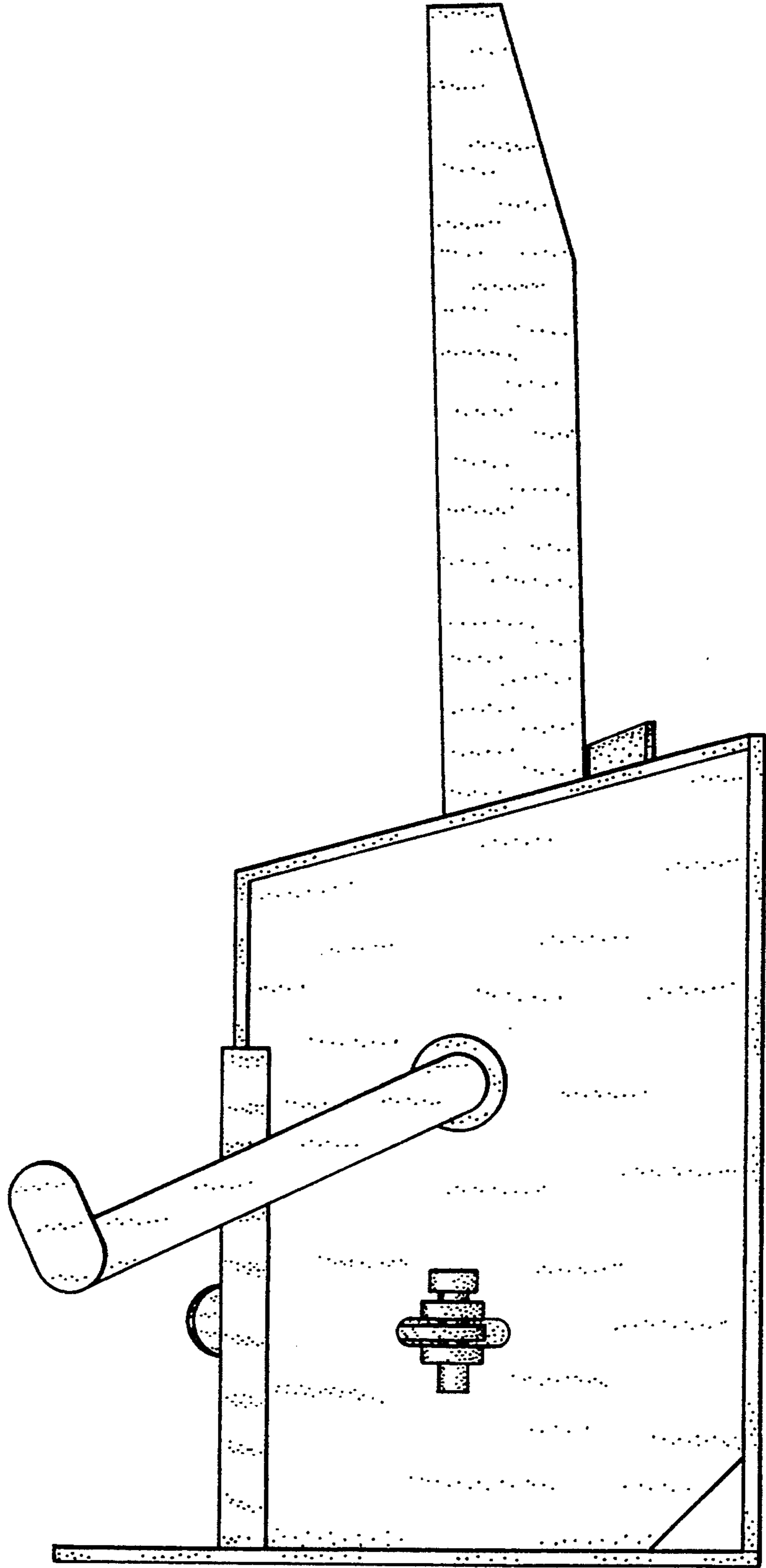


FIG. 2

FIG. 3



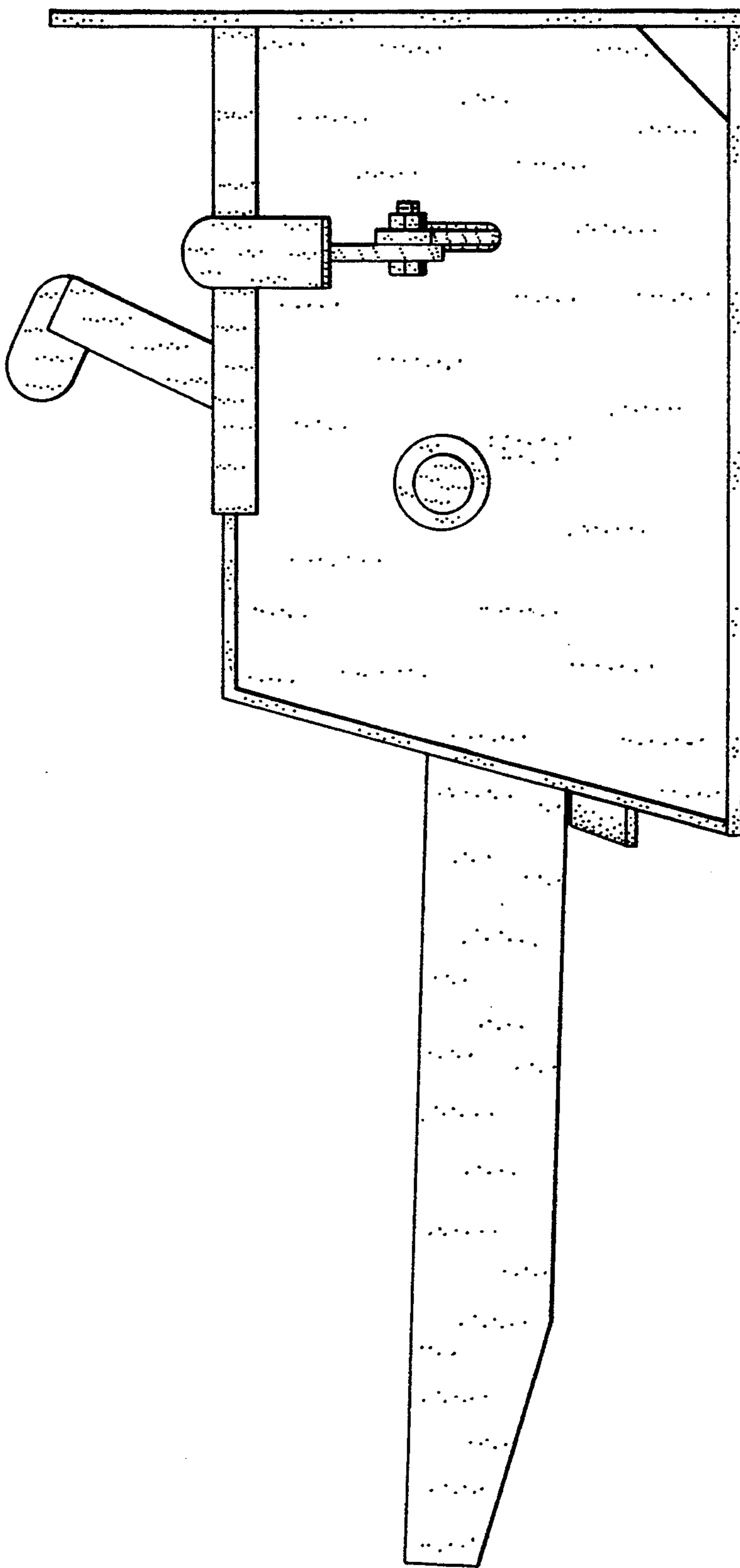


FIG. 4

FIG. 5

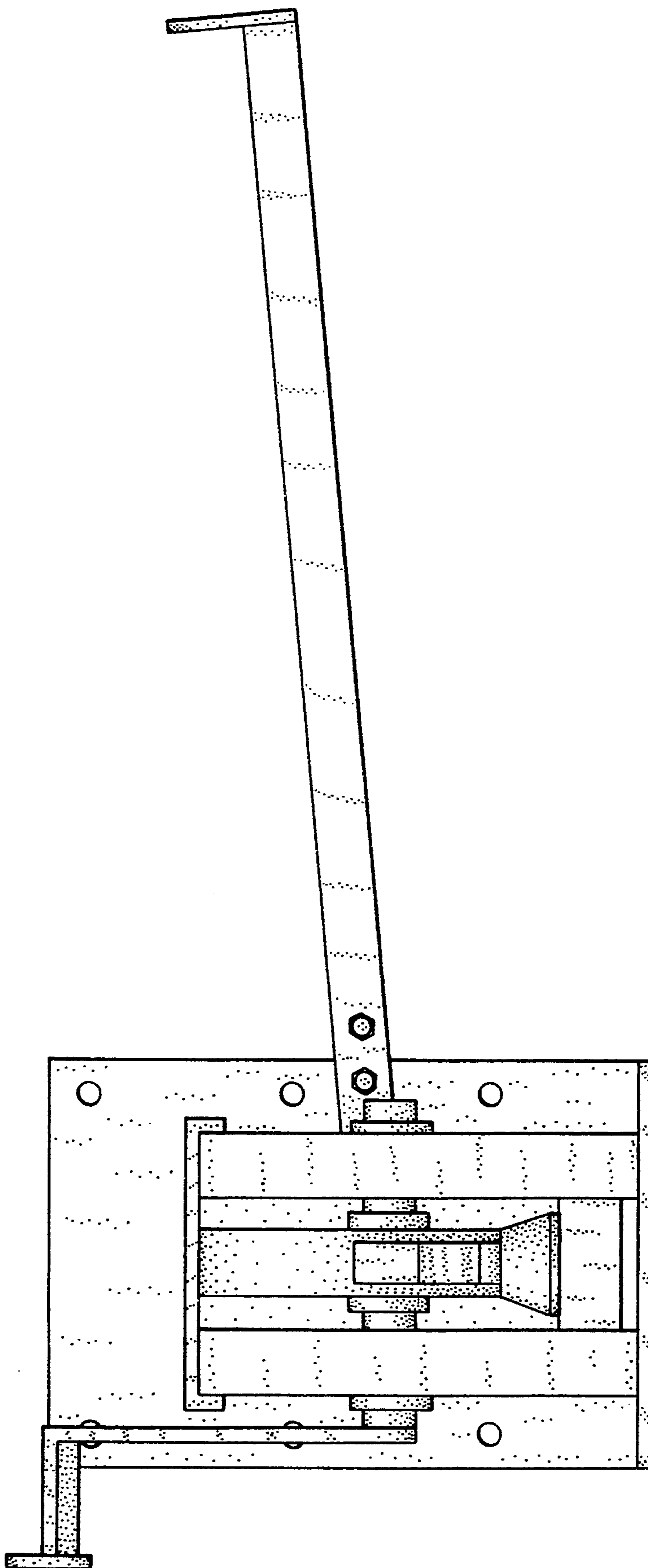
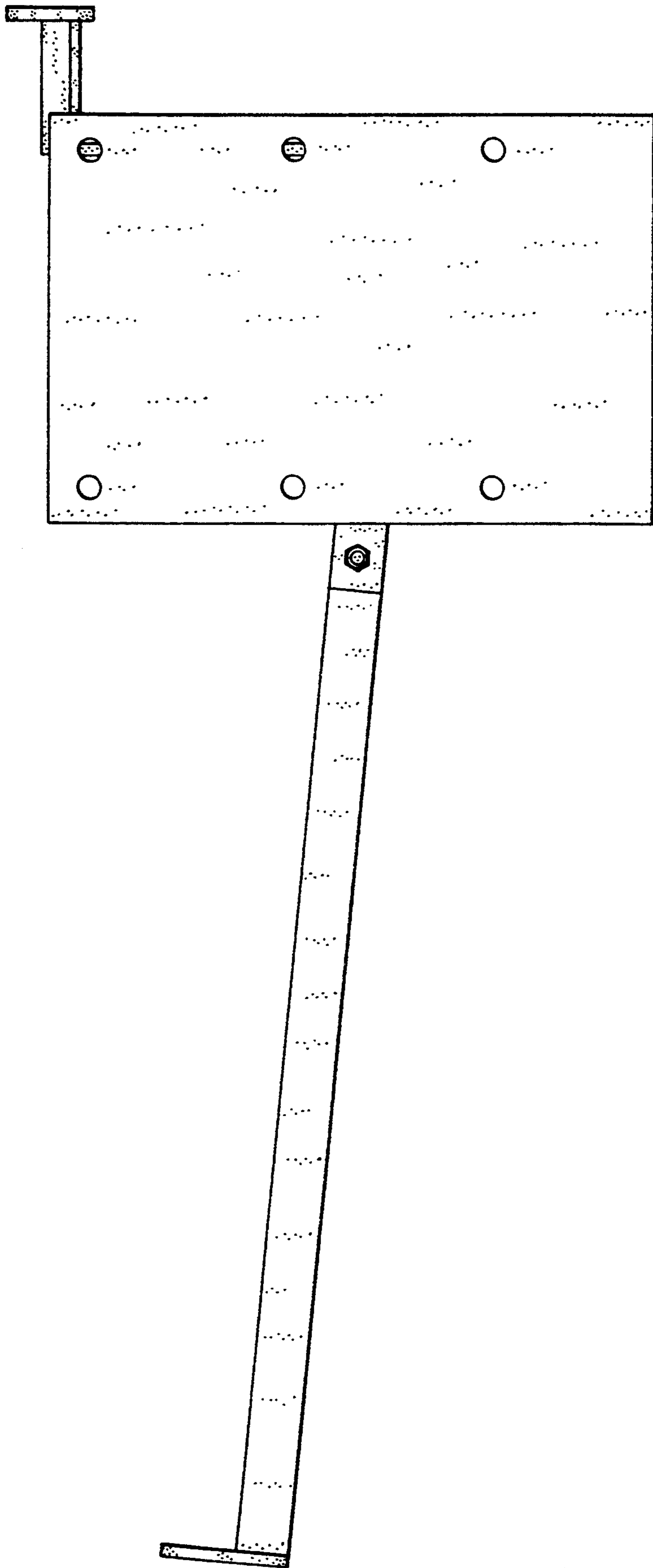


FIG. 6



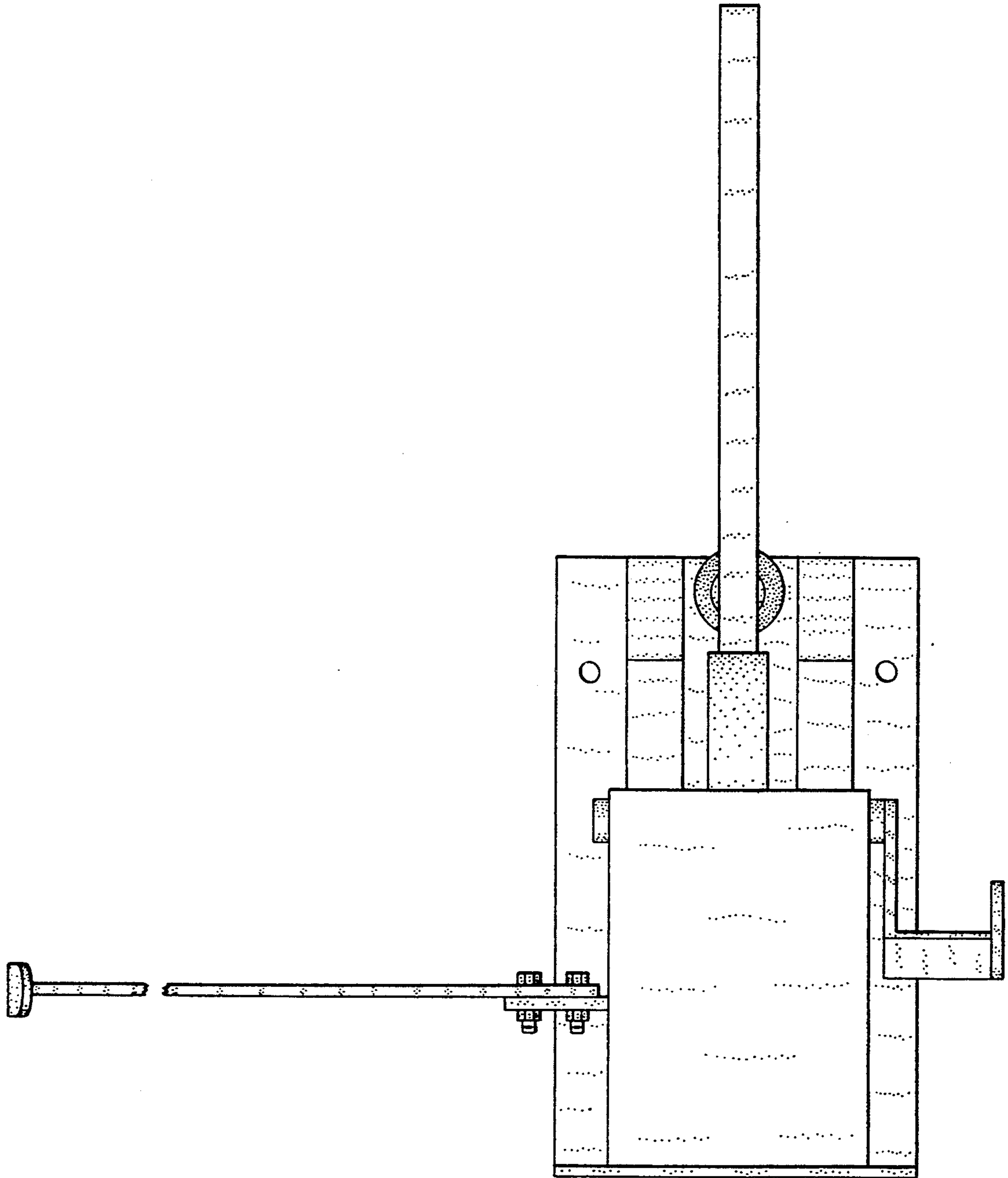


FIG. 7