



US00D349228S

United States Patent [19] Jans

[11] Patent Number: Des. 349,228

[45] Date of Patent: ** Aug. 2, 1994

[54] DOOR HANDLE

[75] Inventor: Franz W. Jans, Roedermark, Fed. Rep. of Germany

[73] Assignee: JADO Bathroom and Hardware Manufacturing Corp., Camarillo, Calif.

[**] Term: 14 Years

[21] Appl. No.: 8,677

[22] Filed: May 20, 1993

[52] U.S. Cl. D8/308; D8/352

[58] Field of Search D8/307, 308, 352; 16/110 R, 111 R, 112; D23/252

[56] **References Cited**

U.S. PATENT DOCUMENTS

D. 102,402	12/1936	Tautz	D8/308
D. 145,604	9/1946	Rausch	D23/252
D. 161,018	11/1950	Gonas	D8/308
D. 316,747	5/1991	Fleischmann	D8/308
D. 339,190	9/1993	Pieramico et al.	D23/252

Primary Examiner—B. J. Bullock
Attorney, Agent, or Firm—H. Michael Brucker

[57] **CLAIM**

The ornamental design for a door handle, as shown and described.

DESCRIPTION

FIG. 1 is a perspective view of a door handle showing my new design;

FIG. 2 is a front view;

FIG. 3 is a rear view;

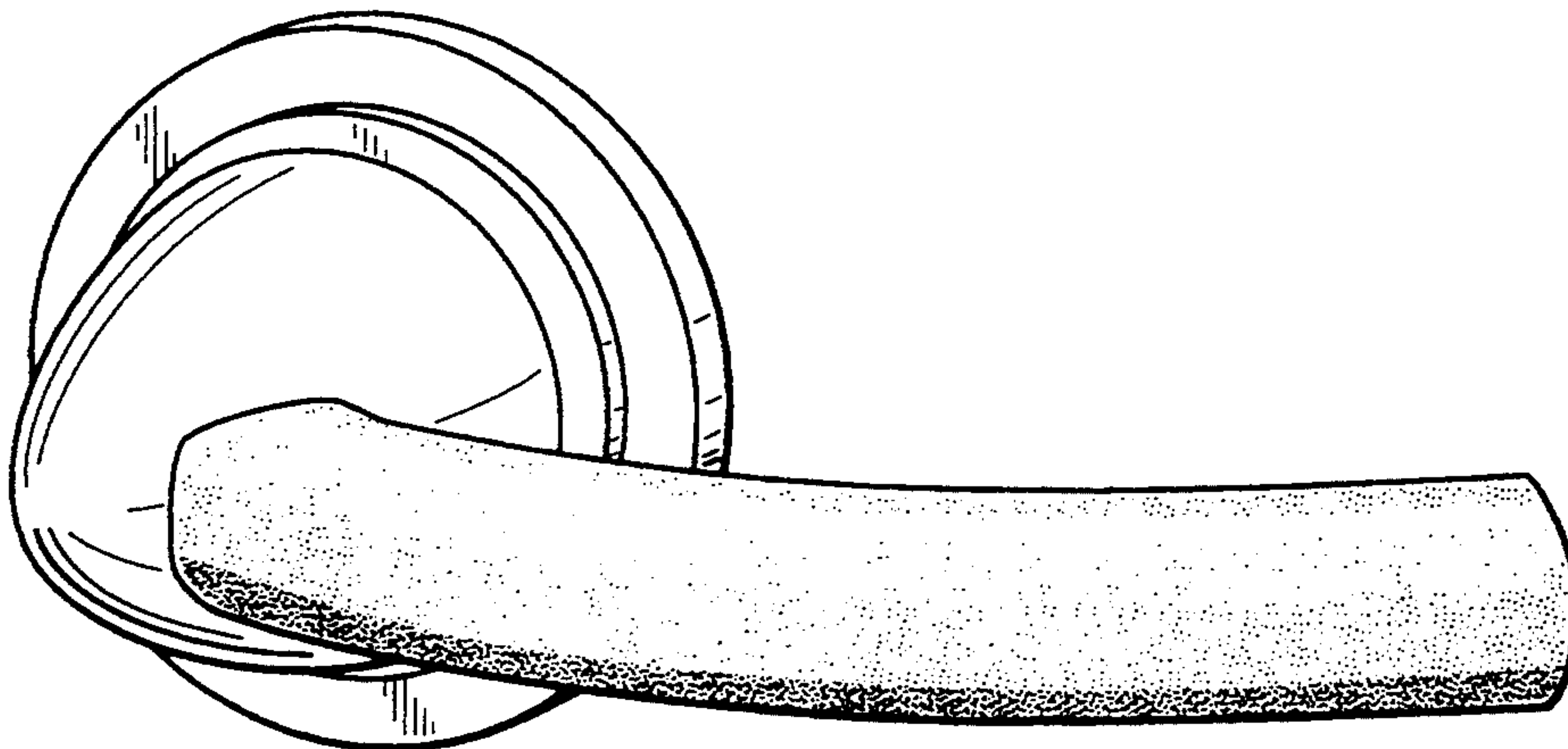
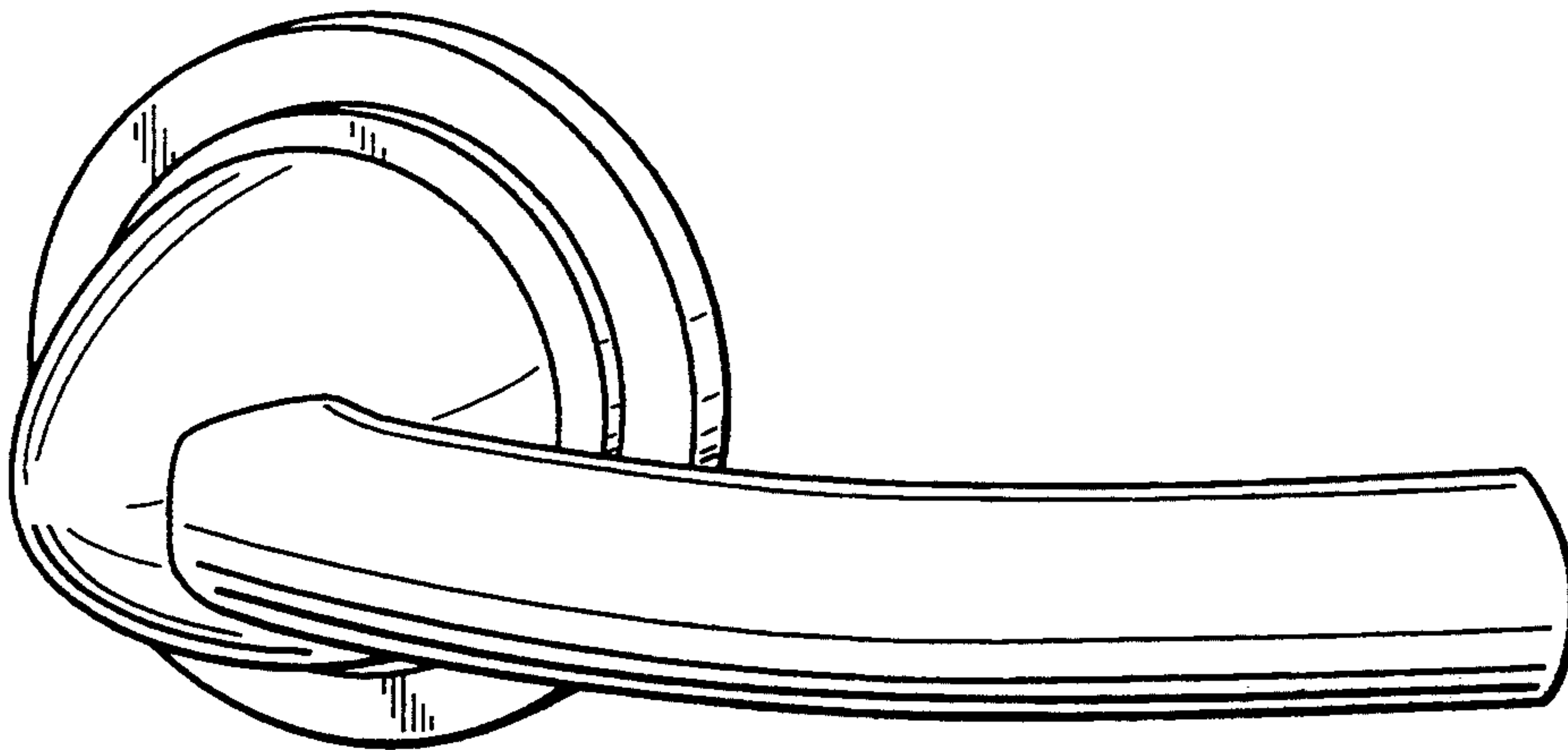
FIG. 4 is a left side view;

FIG. 5 is a right side view;

FIG. 6 is a top view, the bottom view being a mirror image thereof;

FIG. 7 is a perspective view of a second embodiment of the design of FIG. 1, the only difference being that the lever has a finish that contrasts with the rest of the door handle; and,

FIG. 8 is a perspective view of a third embodiment of the design of FIG. 1, the only difference being that the lever support member has a finish that contrasts with the rest of the door handle.



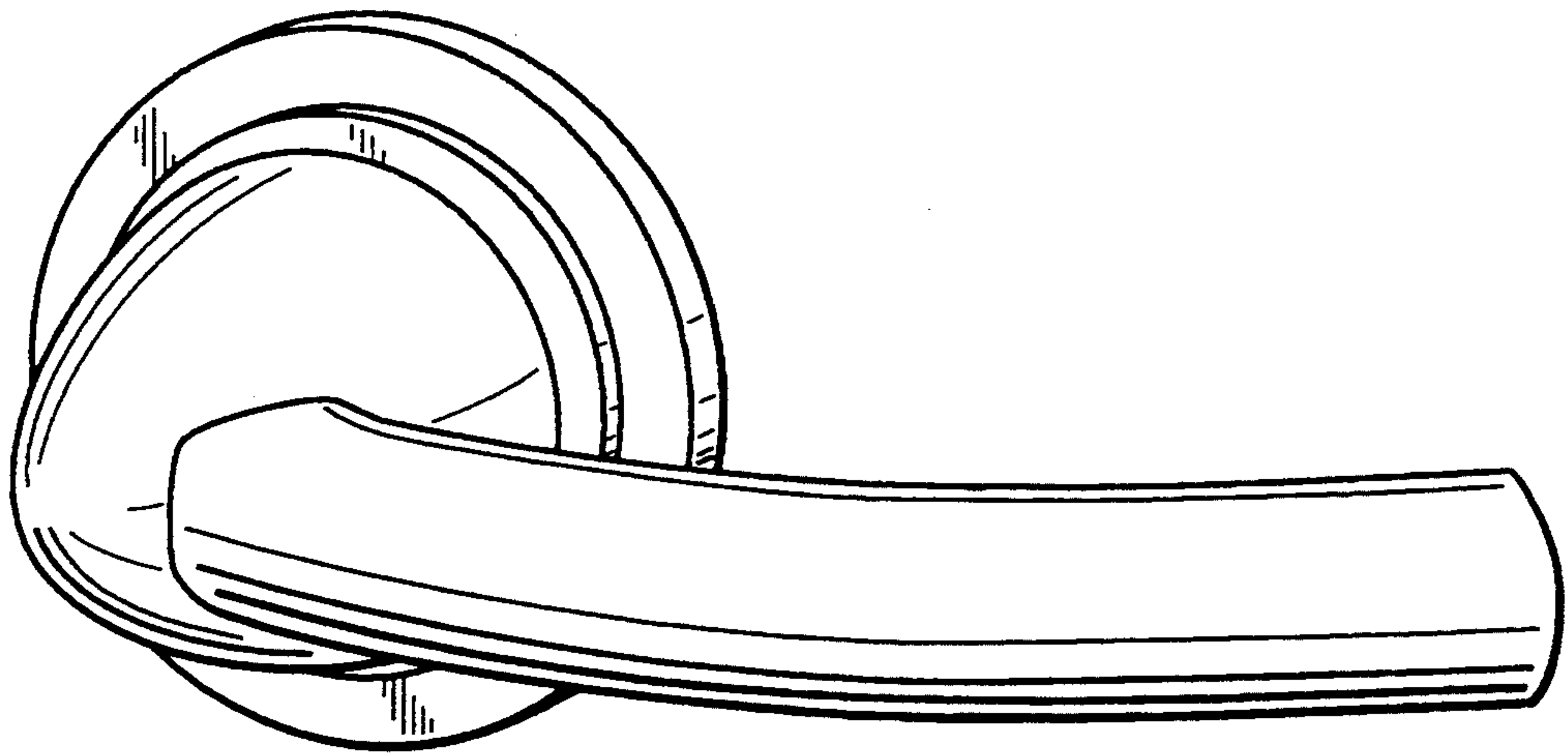


FIG._1

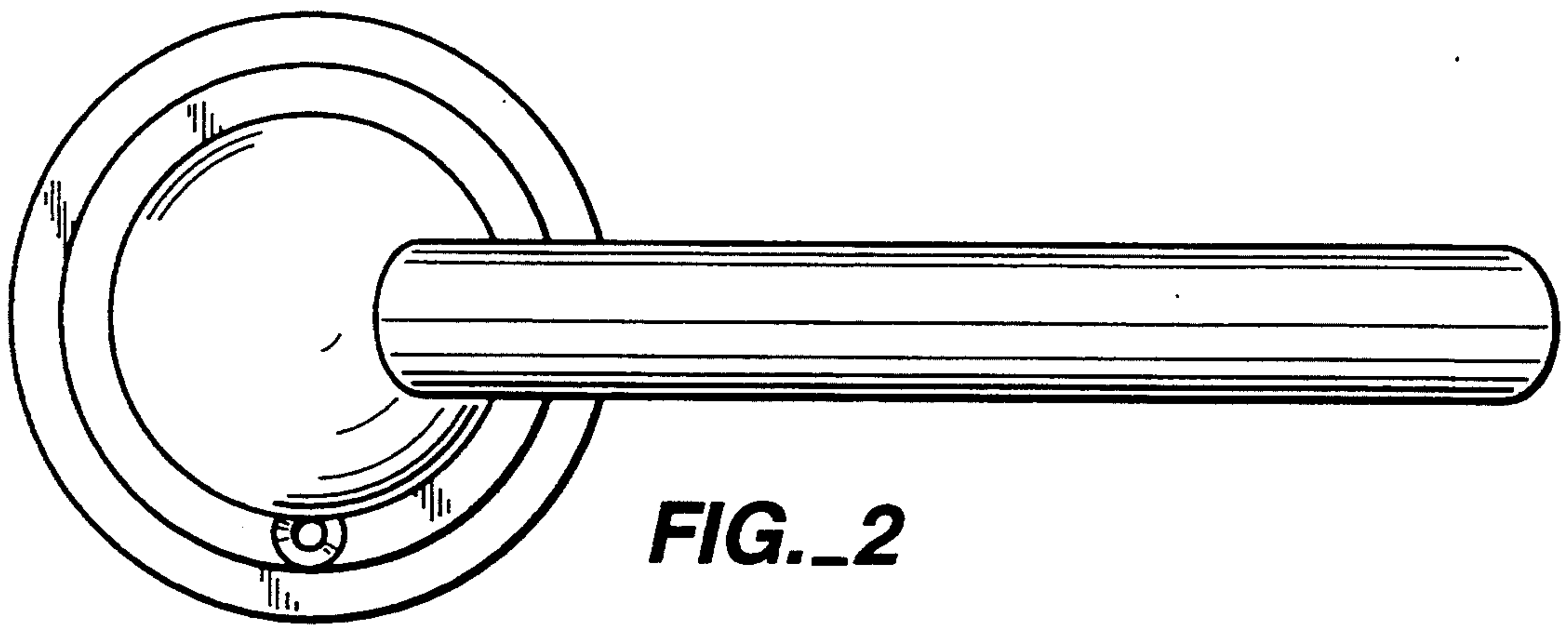


FIG._2

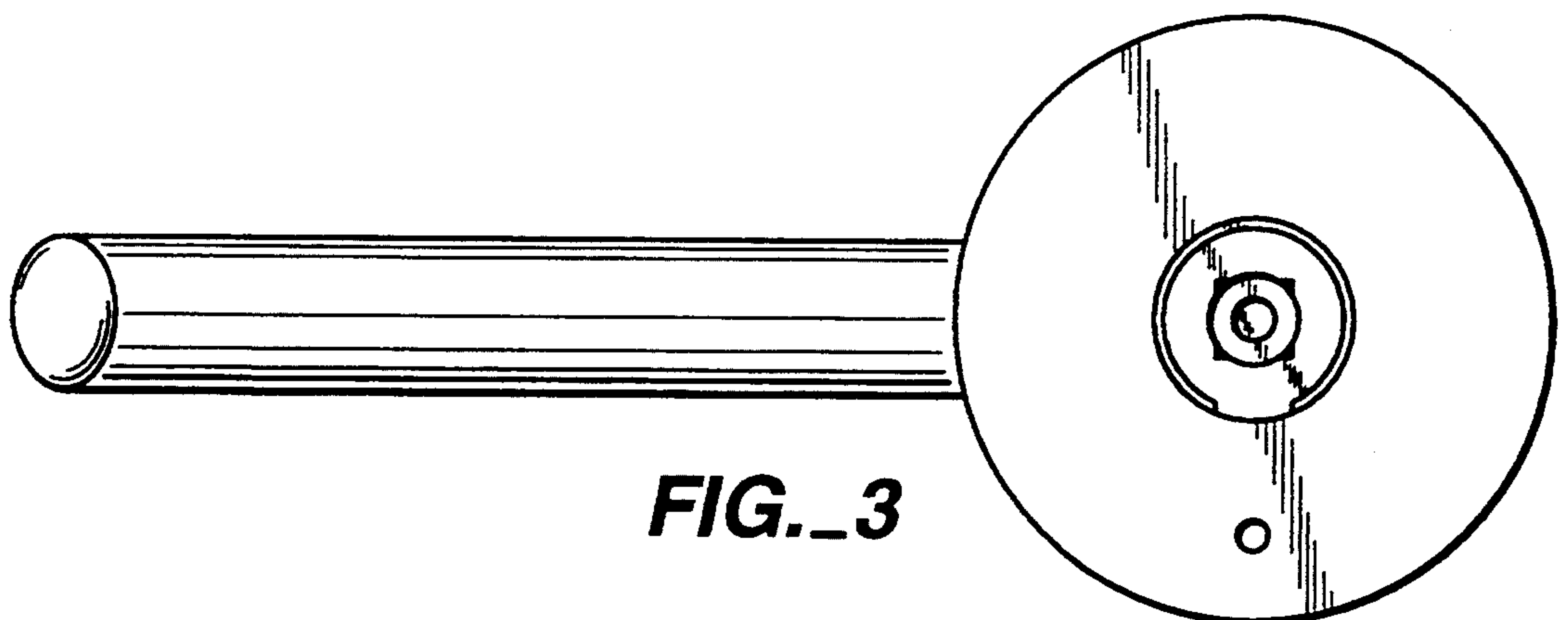


FIG._3

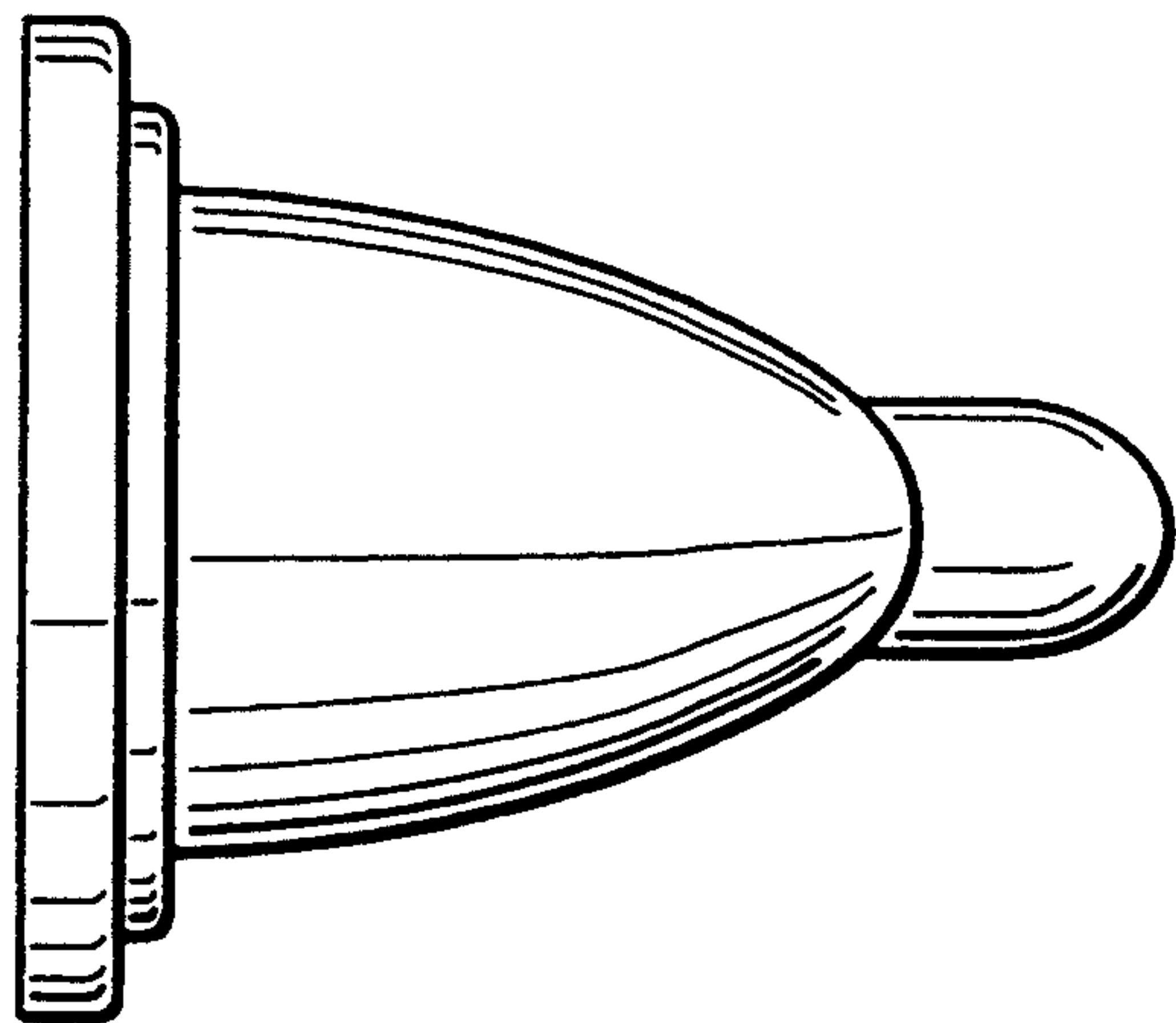


FIG._4

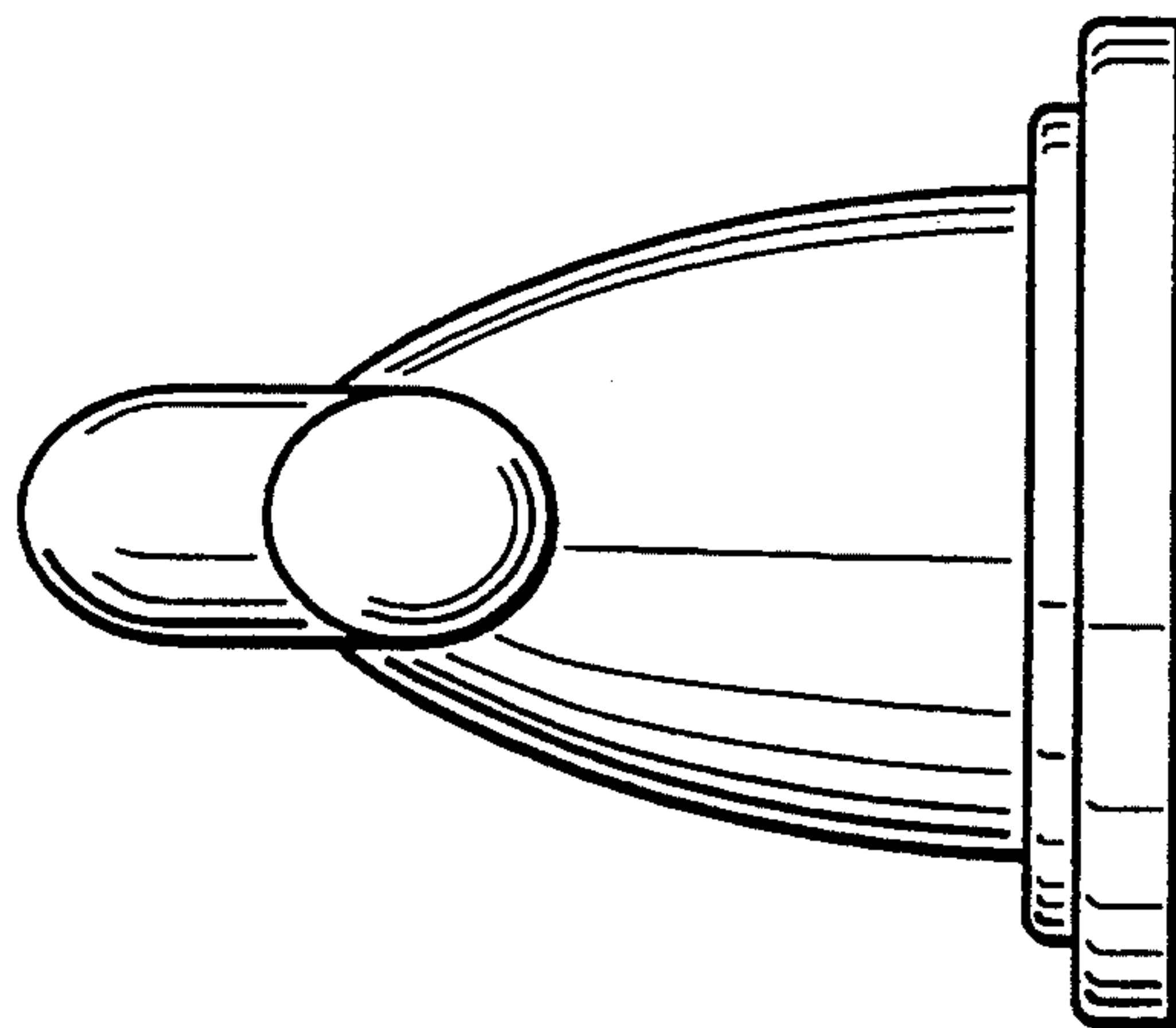


FIG._5

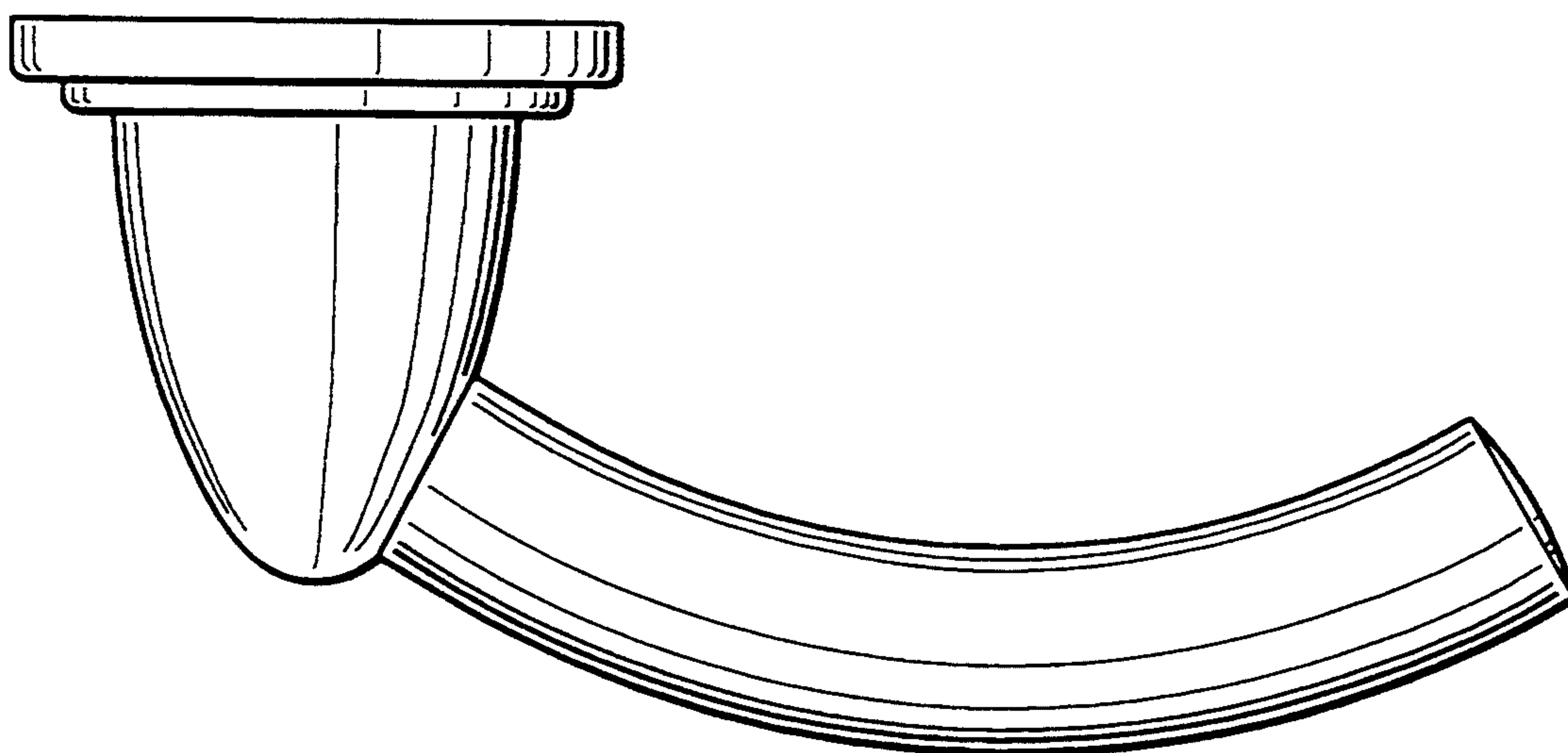


FIG._6

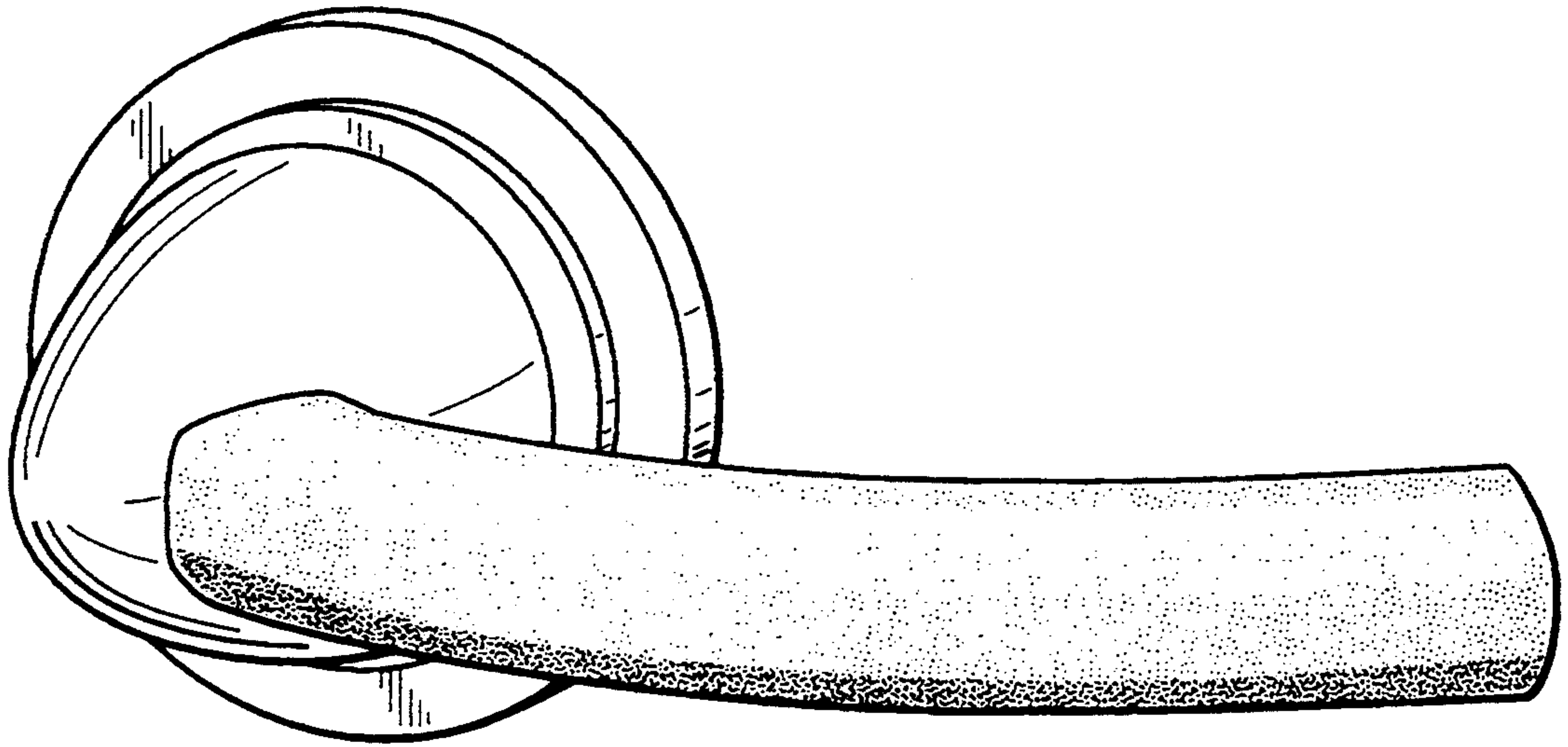


FIG._7

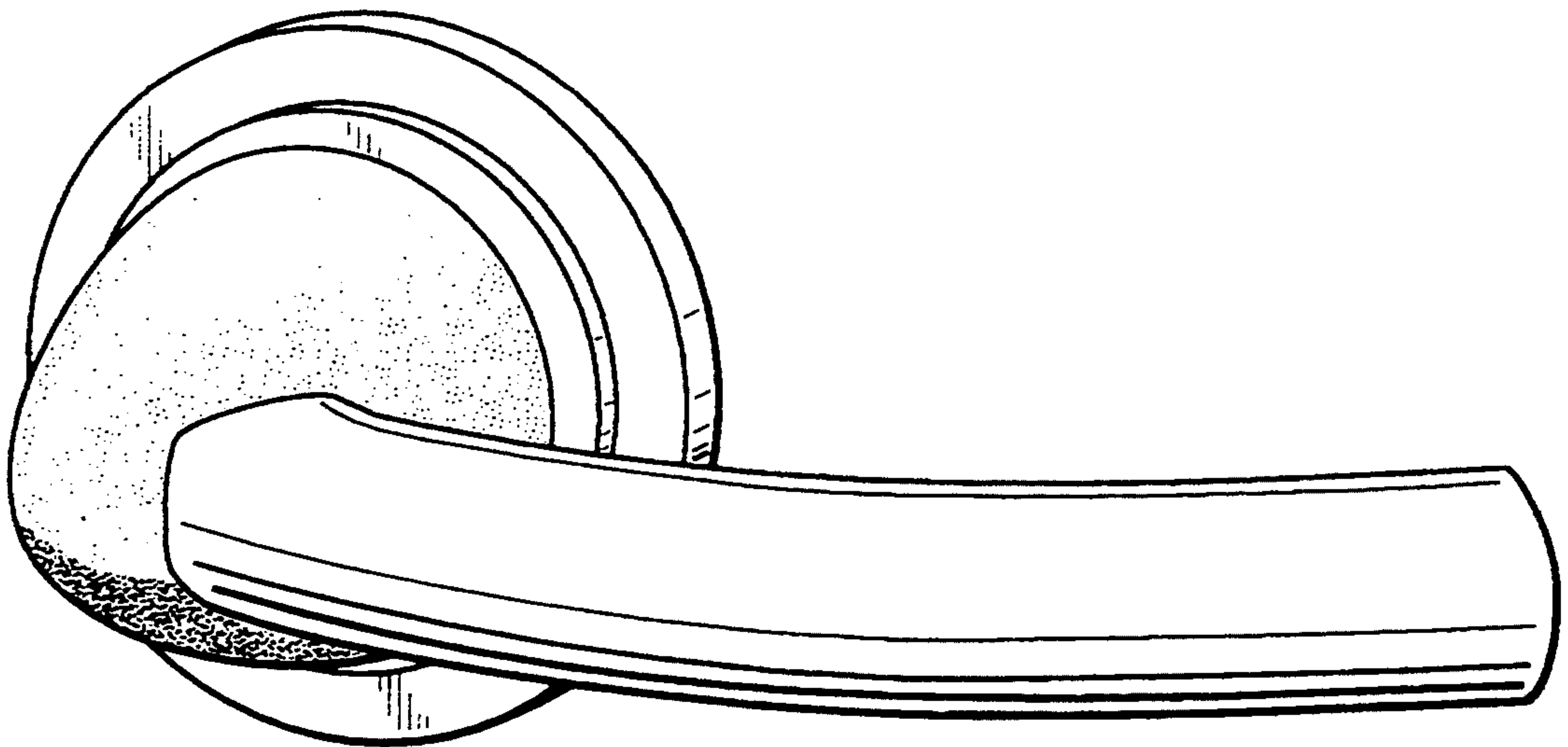


FIG._8