



US00D349226S

# United States Patent [19] Ruyts

[11] Patent Number: Des. 349,226

[45] Date of Patent: \*\* Aug. 2, 1994

[54] GRINDING WHEEL DRESSING TOOL

[76] Inventor: Paul Ruyts, 23423 Summer Pine, Spring, Tex. 77373

[\*\*] Term: 14 Years

[21] Appl. No.: 8,122

[22] Filed: May 10, 1993

[52] U.S. Cl. .... D8/74; 269/97; 269/246; D8/71

[58] Field of Search ..... D8/73, 74; 269/97, 246, 269/247, 240, 261, 284

[56] References Cited

U.S. PATENT DOCUMENTS

D. 255,643	7/1980	Speiser et al. ....	D8/74
D. 263,368	3/1982	Wagster et al. ....	D8/74
D. 287,457	12/1986	Listes .....	D8/74
D. 296,981	8/1988	Clark, Jr. ....	D8/74
D. 340,632	10/1993	Easley .....	D8/74
4,294,441	10/1981	O'Banion et al. ....	269/97
4,736,927	4/1988	Clancy .....	269/246

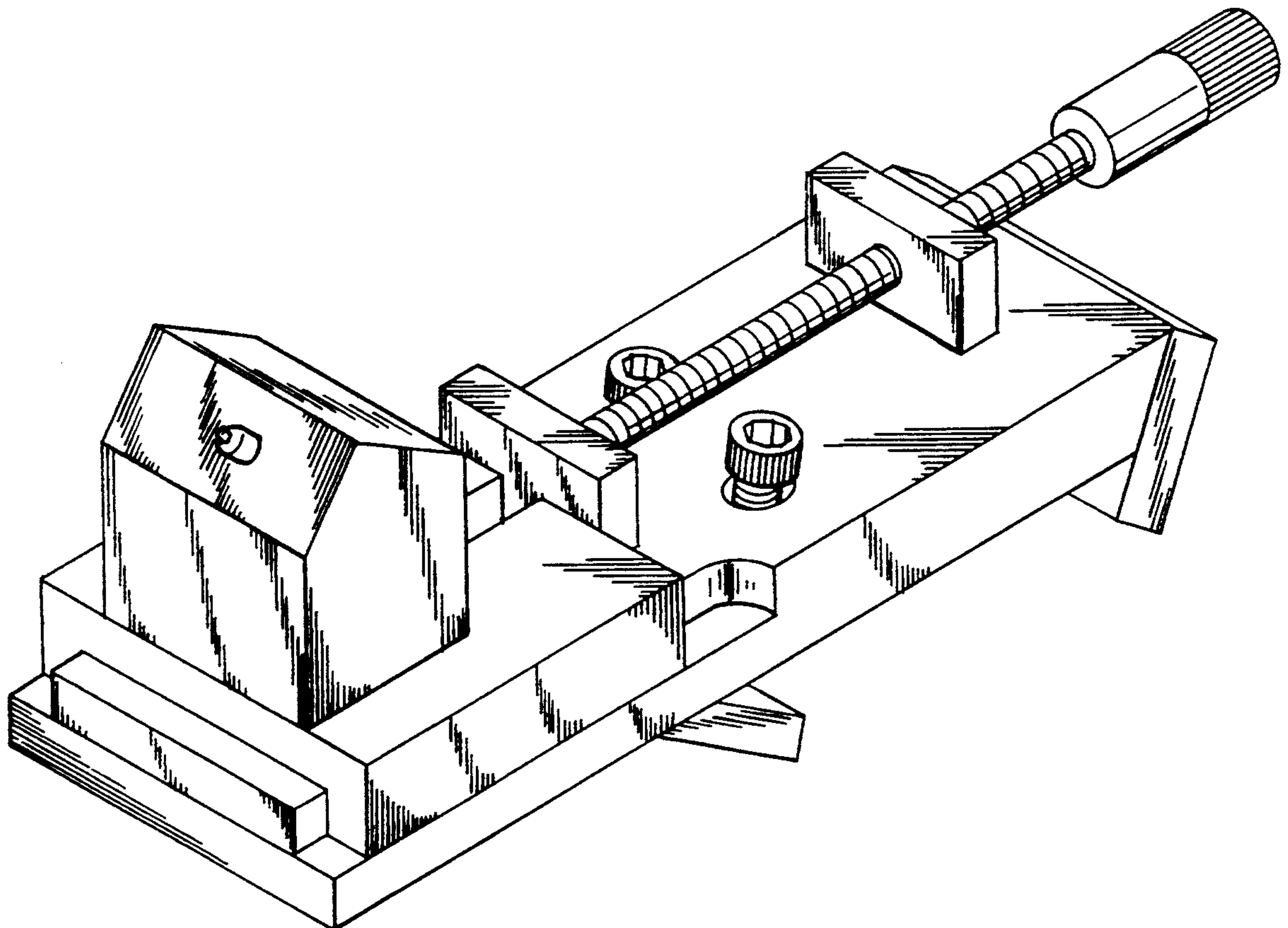
Primary Examiner—Alan P. Douglas  
Assistant Examiner—Jeff H. Musgrove  
Attorney, Agent, or Firm—Kenneth A. Roddy

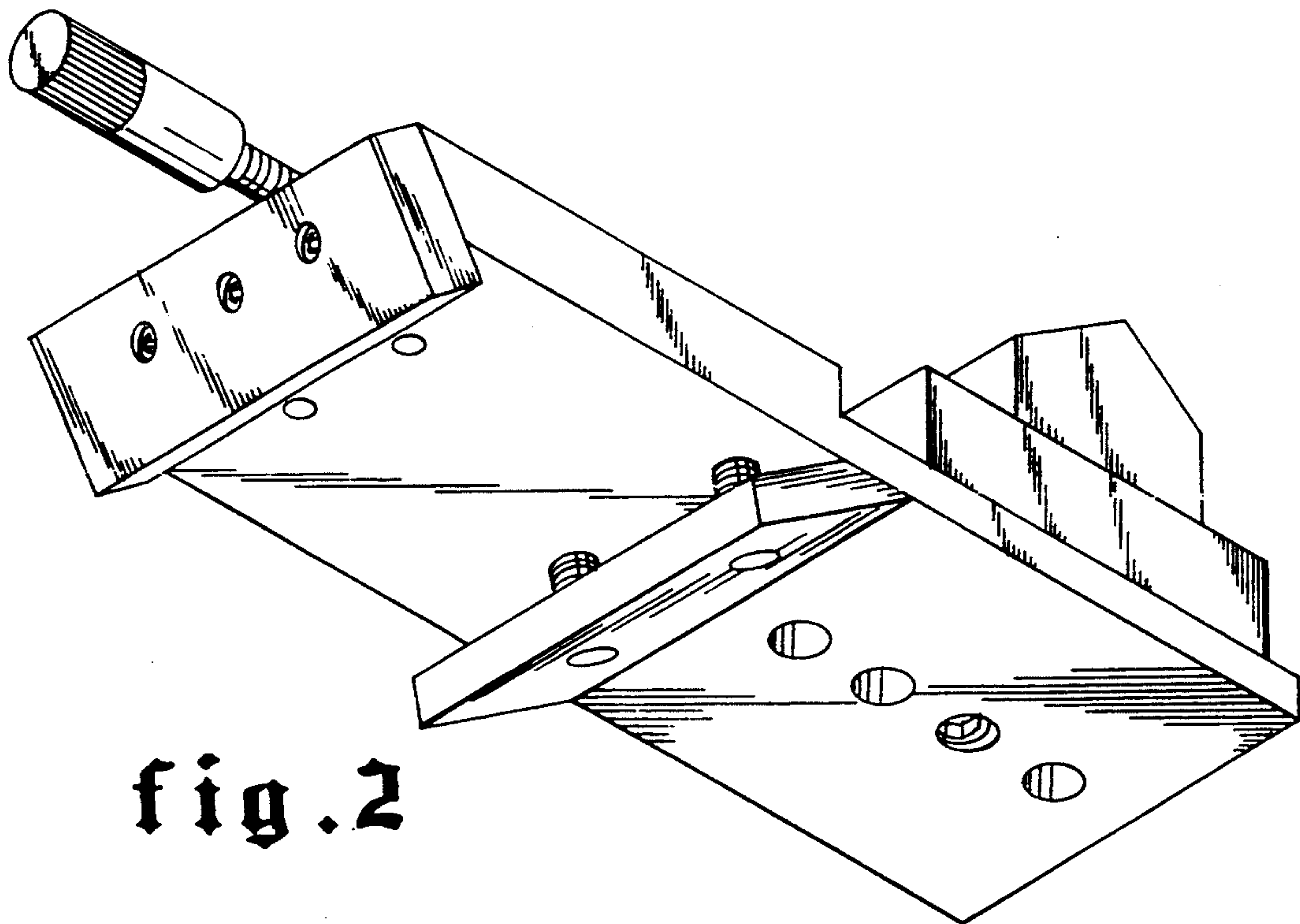
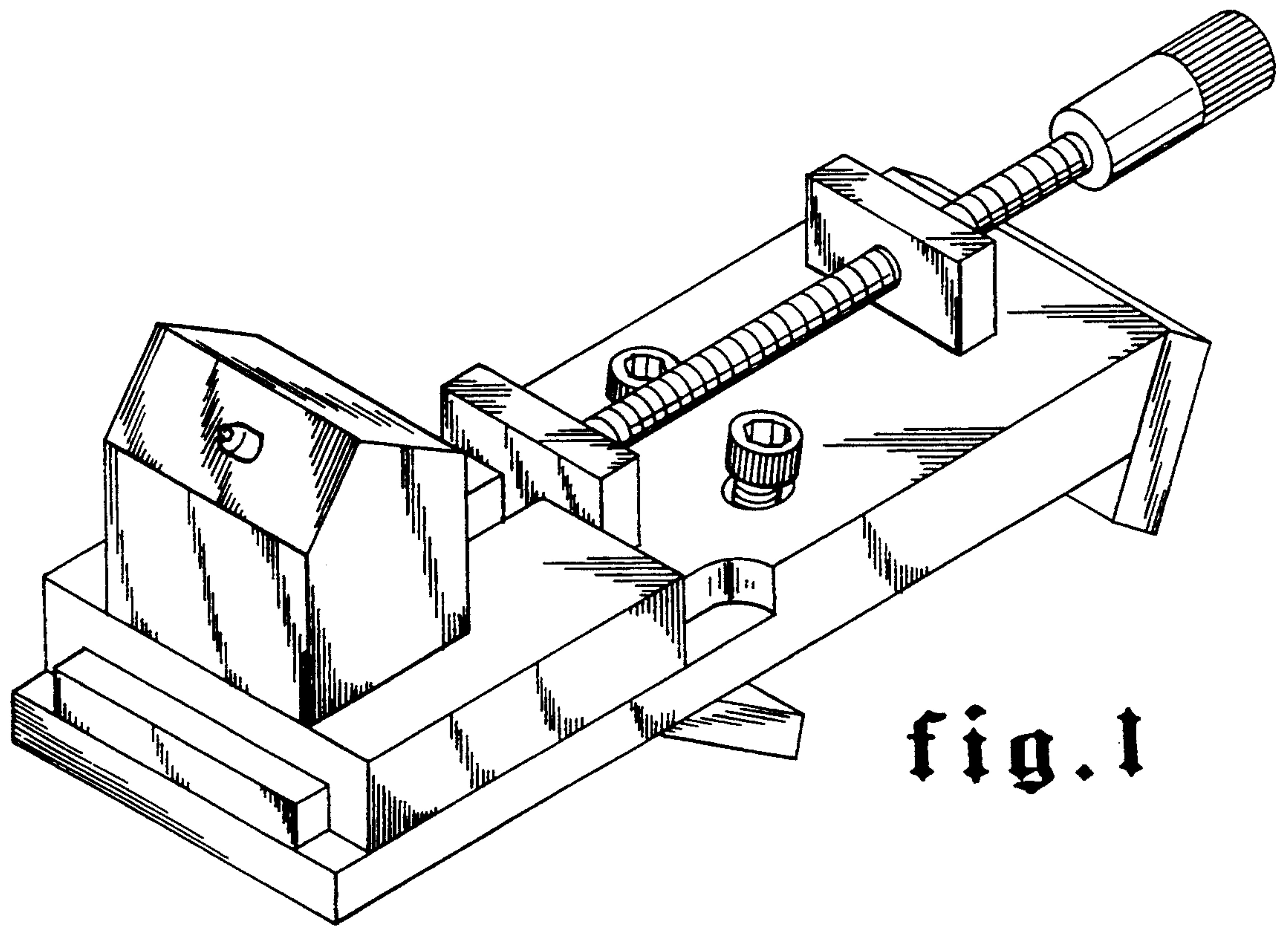
[57] CLAIM

The ornamental design for a grinding wheel dressing tool, as shown and described.

DESCRIPTION

FIG. 1 is an isometric view of a grinding wheel dressing tool showing my new design from the top and one end; FIG. 2 is an isometric view thereof shown from the bottom and opposite end; FIG. 3 is a side elevation thereof, the opposite side being a mirror image of that shown; FIG. 4 is an isometric view of a second embodiment of the grinding wheel dressing tool showing my new design from the top and one end; FIG. 5 is an isometric view thereof shown from the bottom and opposite end; and, FIG. 6 is a side elevation thereof, the opposite side being a mirror image of that shown.





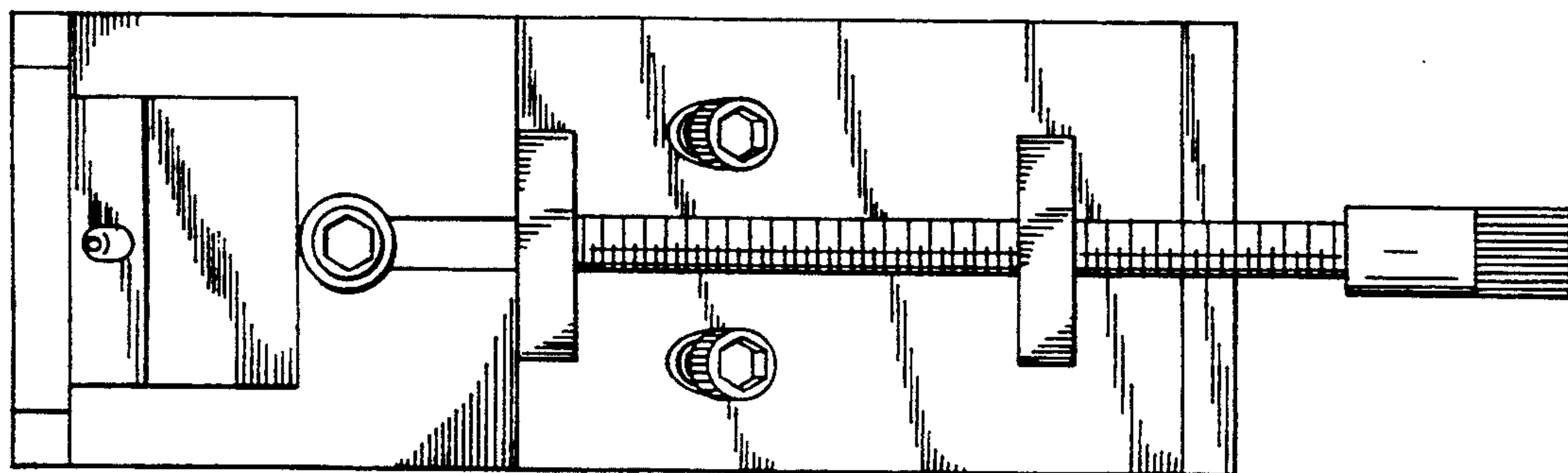


fig. 3

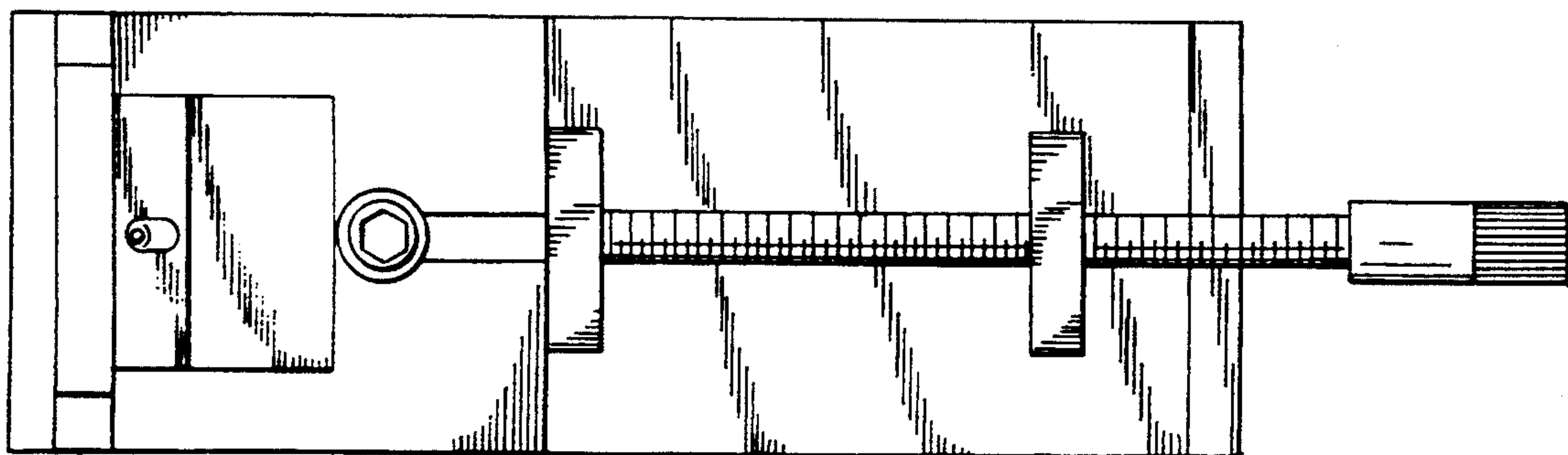


fig. 6



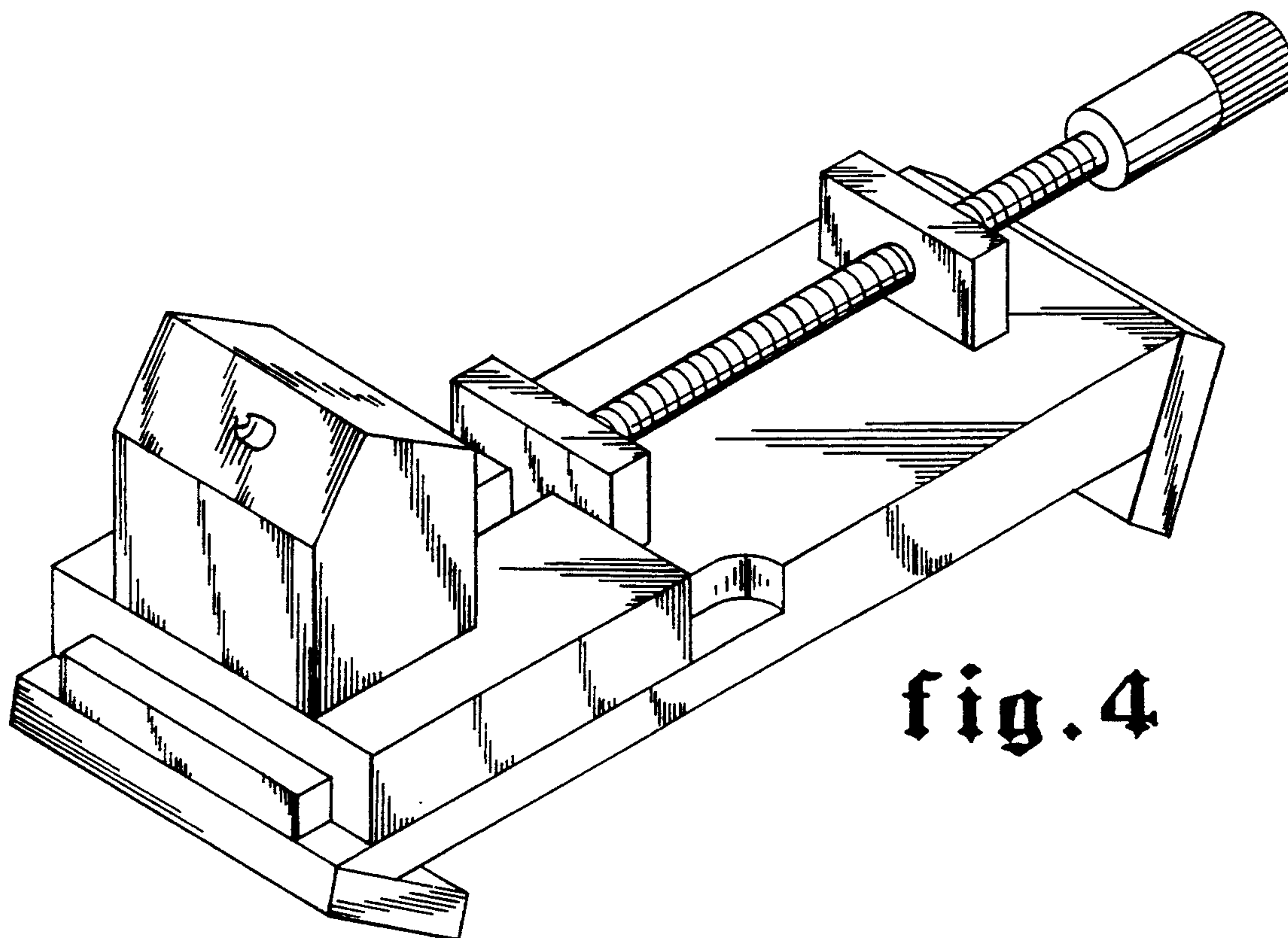


fig. 4

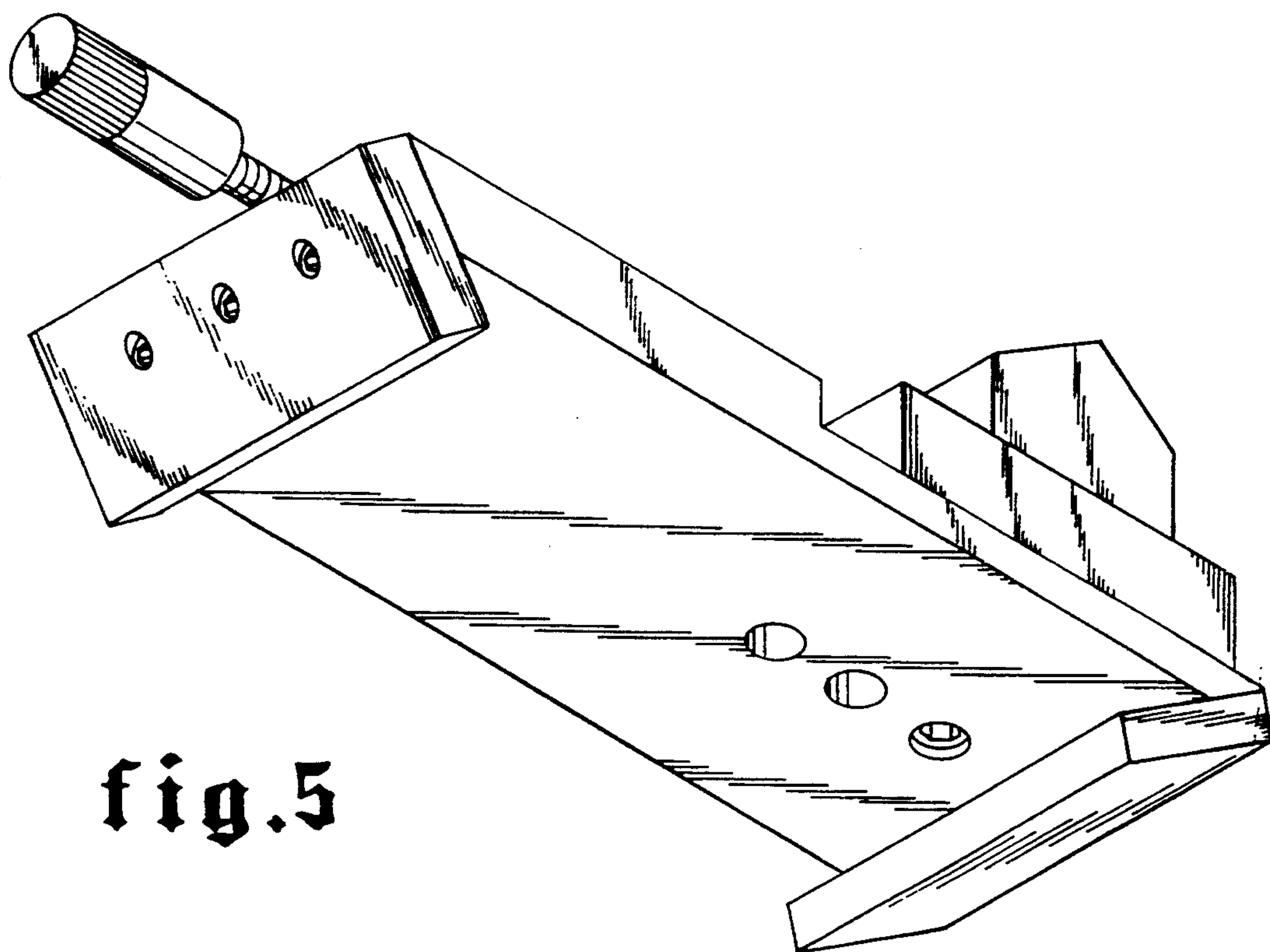


fig. 5