



US00D349220S

# United States Patent [19] Griffin

[11] Patent Number: **Des. 349,220**

[45] Date of Patent: **\*\* Aug. 2, 1994**

[54] **ELECTRIC GRASS TRIMMER AND EDGER**

[75] Inventor: **John Griffin, Phoenix, Ariz.**

[73] Assignee: **McCulloch Corporation, Tucson, Ariz.**

[\*\*] Term: **14 Years**

[21] Appl. No.: **874,568**

[22] Filed: **Apr. 24, 1992**

[52] U.S. Cl. .... **D8/8**

[58] Field of Search ..... **D8/8; 30/276, 390, DIG. 5; 56/12.7, 234, 239, 249, 255, 289, 295; D15/14-18**

[56] **References Cited**

**U.S. PATENT DOCUMENTS**

D. 248,654	7/1978	Ruhl et al. ....	D8/8
D. 249,630	9/1978	Ballas .....	D8/8
D. 251,957	5/1979	Averitt .....	D8/8
D. 251,961	5/1979	Averitt .....	D8/8
D. 253,086	10/1979	Hinklin et al. ....	D8/8
D. 255,764	7/1980	Lombard .....	D8/8
D. 256,090	7/1980	Hinklin et al. ....	D8/8
4,167,812	9/1979	Moore .....	30/276
4,237,610	12/1980	Bradus et al. ....	30/276
4,282,653	8/1981	Comer et al. ....	56/127
4,603,478	8/1986	Anderson .....	30/347
4,631,828	12/1986	Burnett .....	30/347
4,827,702	5/1989	Cerreta .....	30/276

**OTHER PUBLICATIONS**

Washington Post, Sears Pull-Out Feb. 17, 1991 "Craftsman Weedwacker".

*Primary Examiner*—Bernard Ansher  
*Assistant Examiner*—Sandra Morris

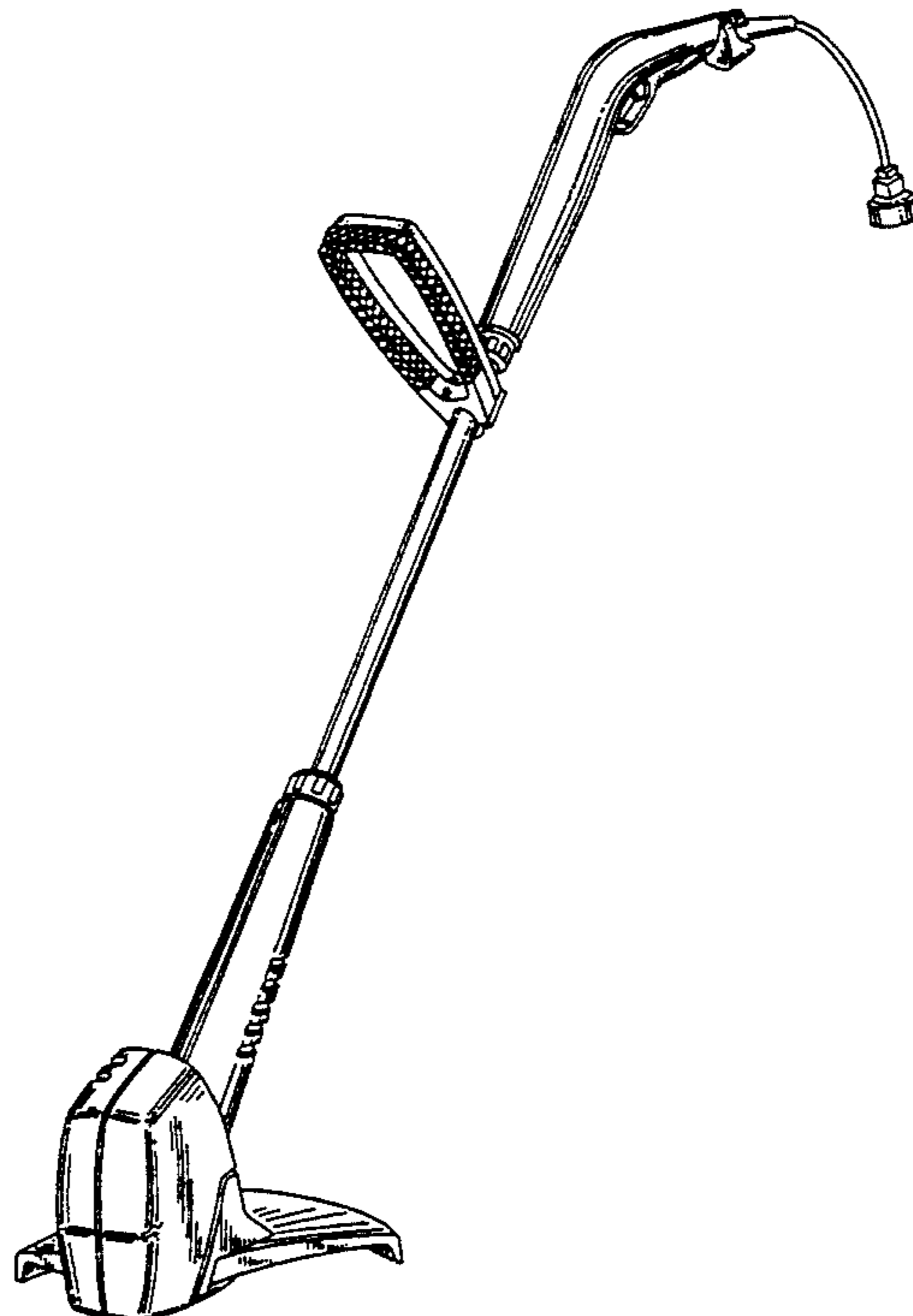
*Attorney, Agent, or Firm*—Marshall, O'Toole, Gerstein, Murray & Borun

[57] **CLAIM**

The ornamental design for an electric grass trimmer and edger, as shown and described.

**DESCRIPTION**

FIG. 1 is a perspective view of an electric grass trimmer and edger showing my new design;  
 FIG. 2 is a side view thereof;  
 FIG. 3 is an enlarged right side elevational view of the bottom portion, shown broken away for ease of illustration;  
 FIG. 4 is an enlarged front elevational view of FIG. 3;  
 FIG. 5 is an enlarged rear elevational view of FIG. 3;  
 FIG. 6 is an enlarged left side elevational view of FIG. 3;  
 FIG. 7 is an enlarged top plan view of FIG. 3;  
 FIG. 8 is an enlarged bottom plan view of FIG. 3;  
 FIG. 9 is an enlarged right side elevational view of the grip port, shown broken away for ease of illustration;  
 FIG. 10 is an enlarged top plan view of FIG. 9;  
 FIG. 11 is an enlarged bottom plan view of FIG. 9;  
 FIG. 12 is an enlarged rear elevational view of FIG. 9;  
 FIG. 13 is an enlarged front elevational view of the secondary handle, shown broken away for ease of illustration;  
 FIG. 14 is an enlarged right side elevational view of FIG. 13;  
 FIG. 15 is an enlarged rear elevational view of FIG. 13;  
 FIG. 16 is an enlarged top plan view of FIG. 13;  
 FIG. 17 is an enlarged bottom plan view of FIG. 13; and,  
 FIG. 18 is a right side elevational view of FIG. 1, shown with the trimmer head rotated in a 90 degree angle.



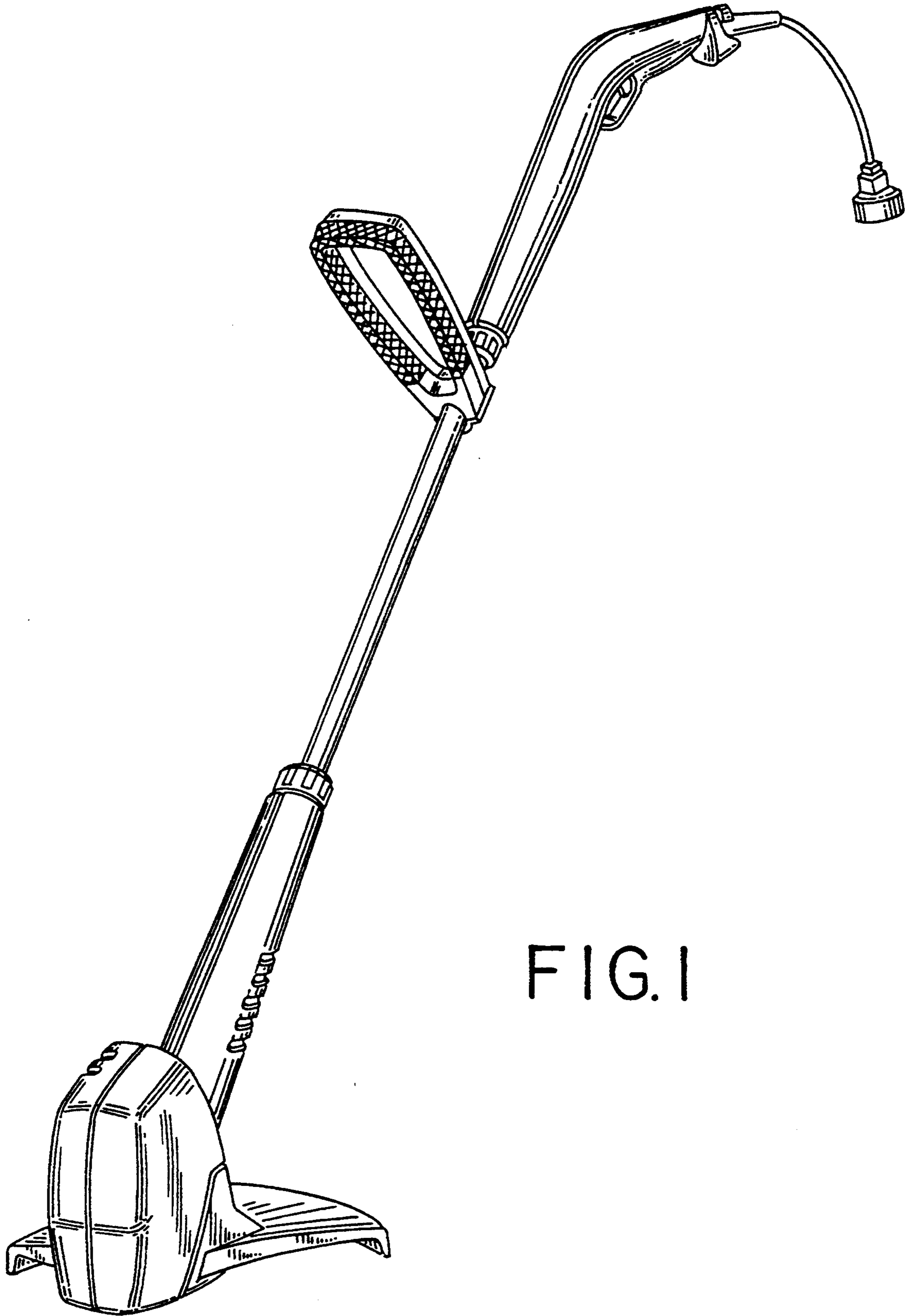


FIG. 1

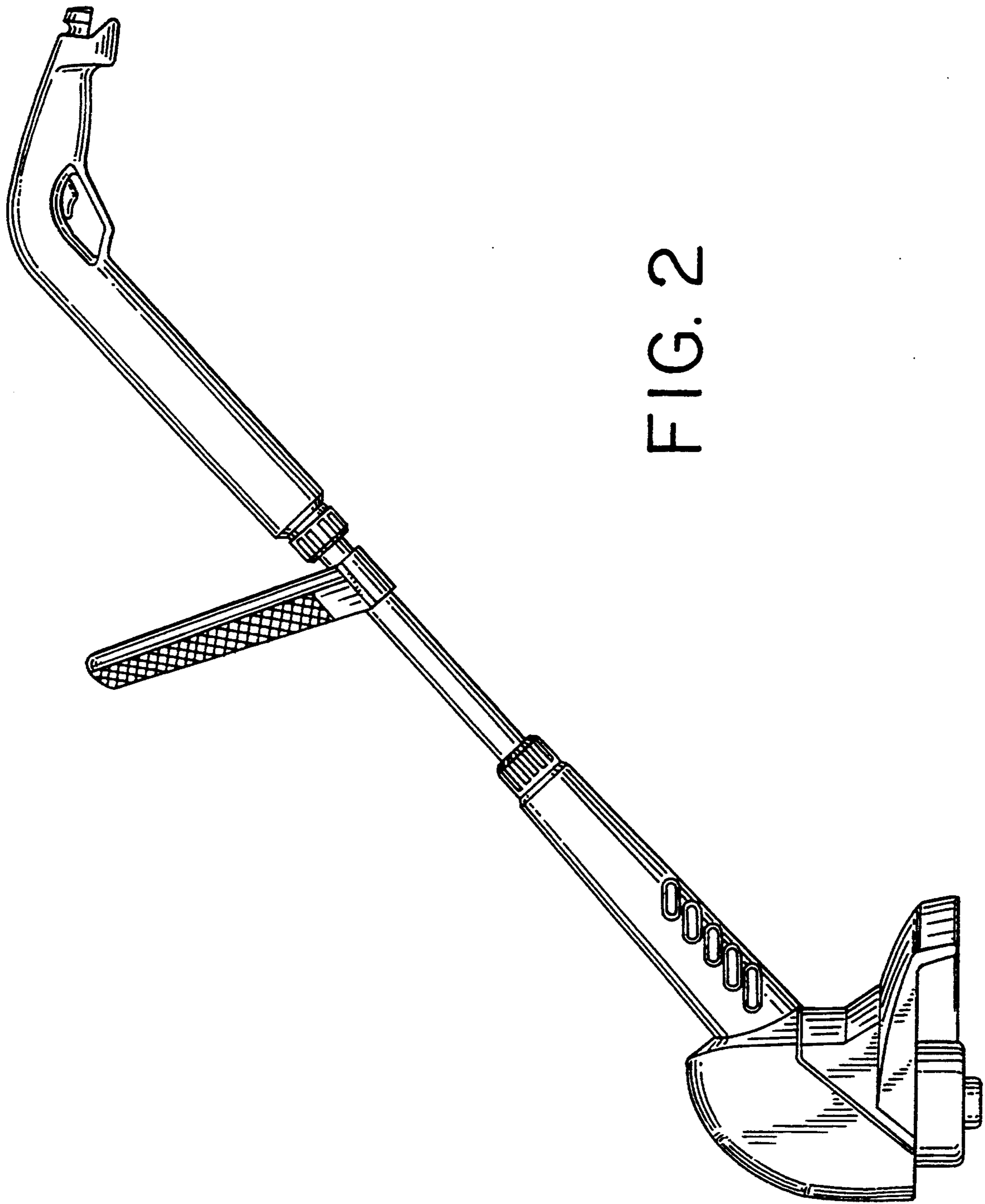


FIG. 2

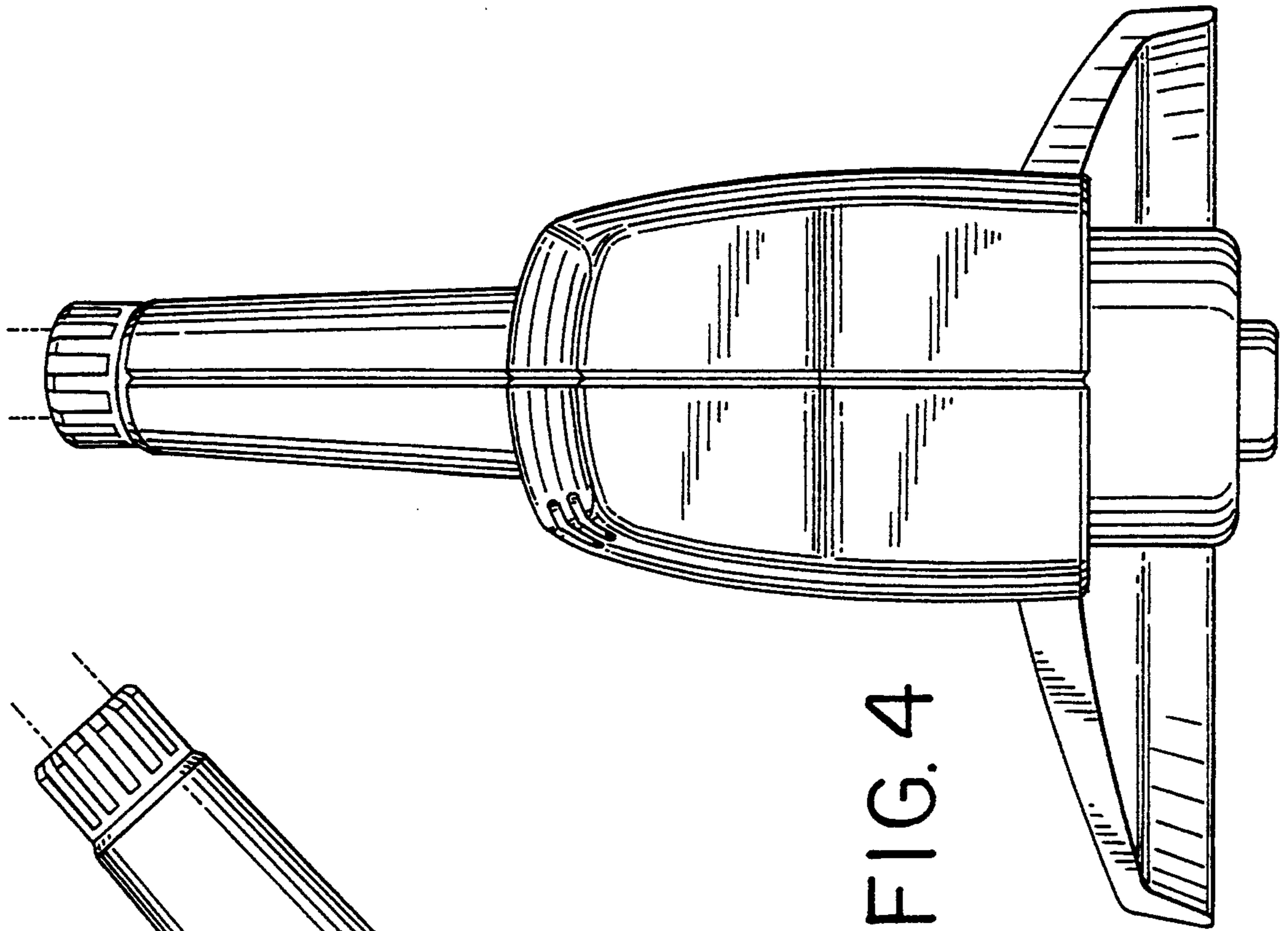


FIG. 4

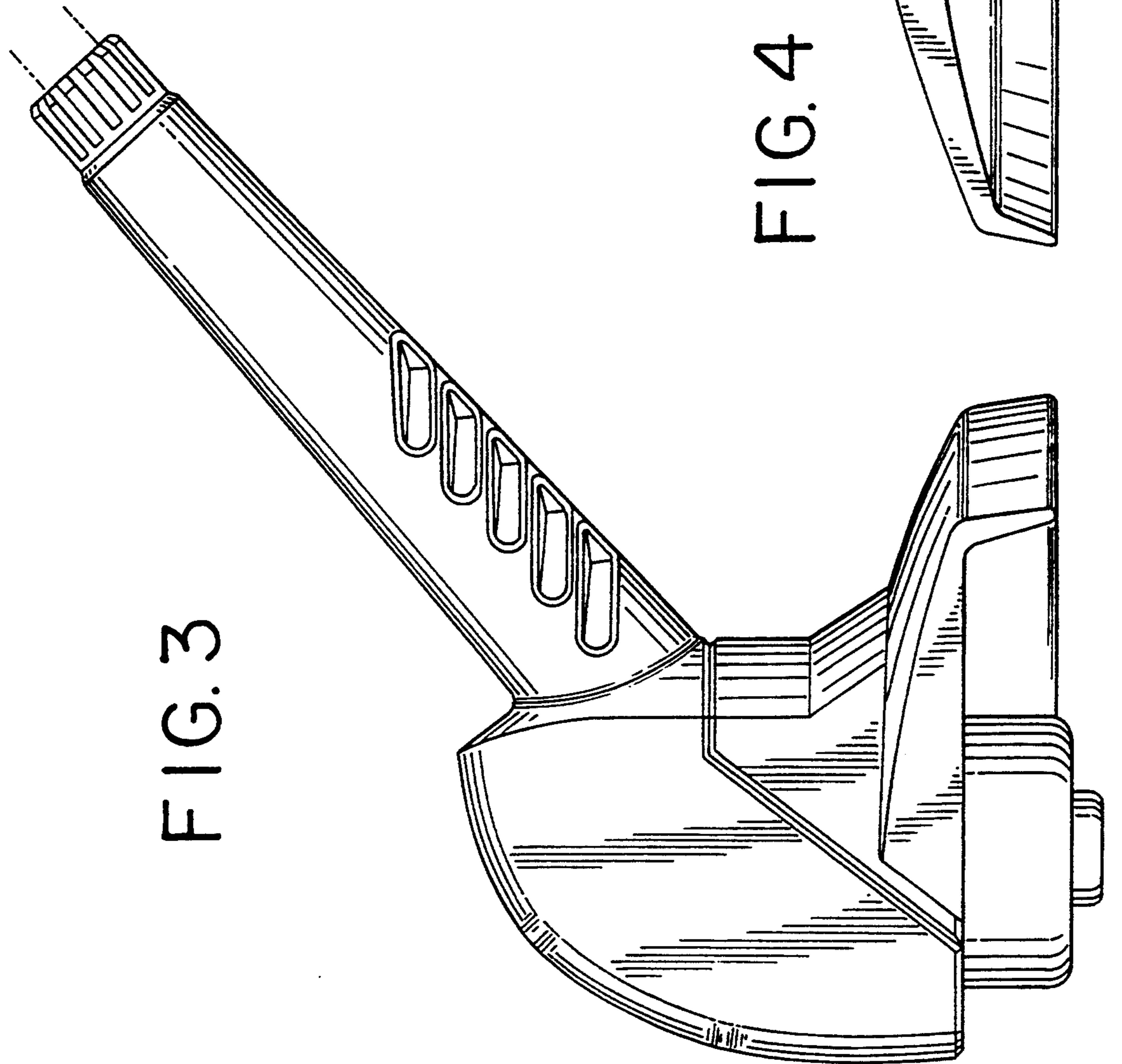


FIG. 3

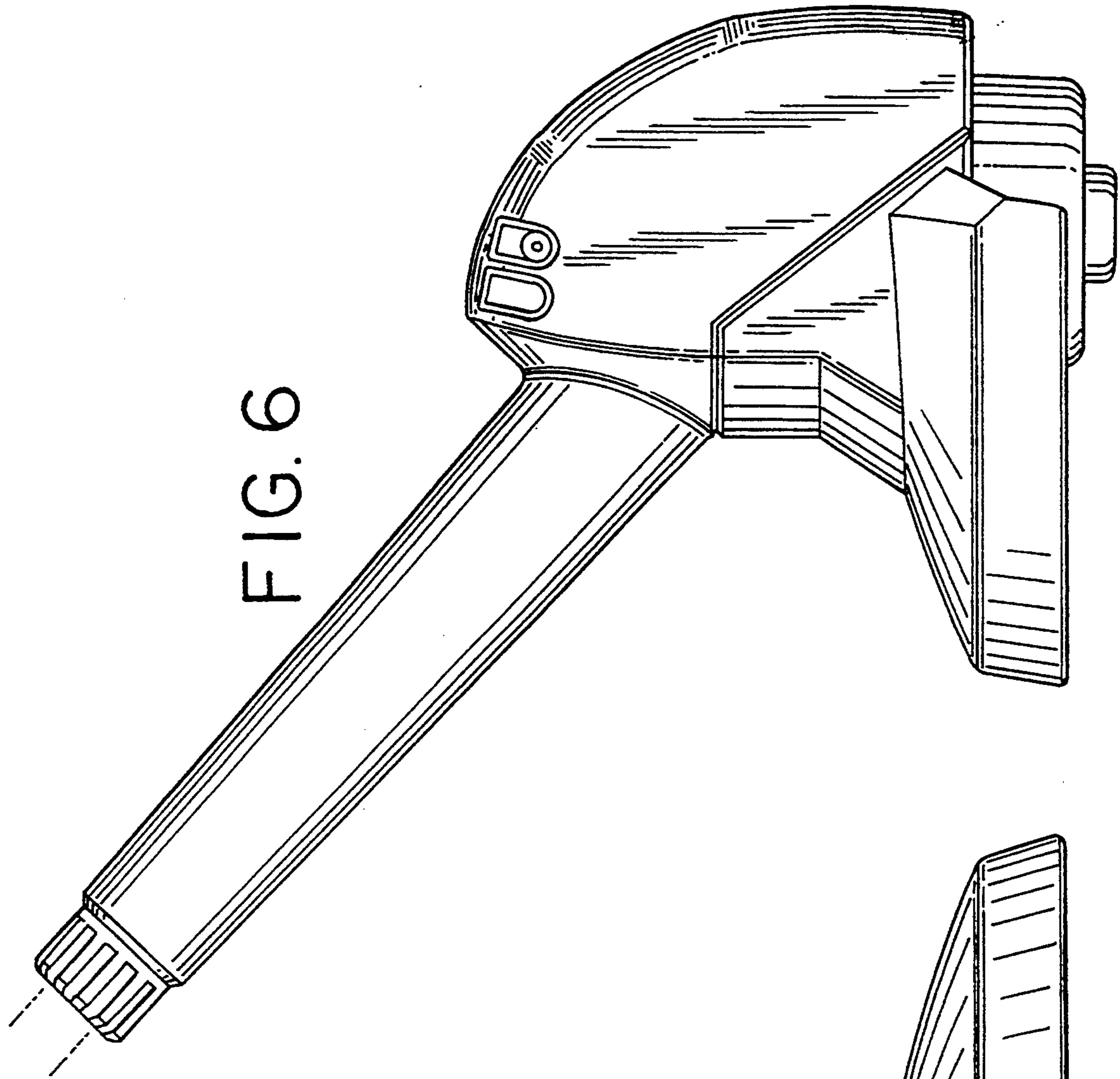


FIG. 6

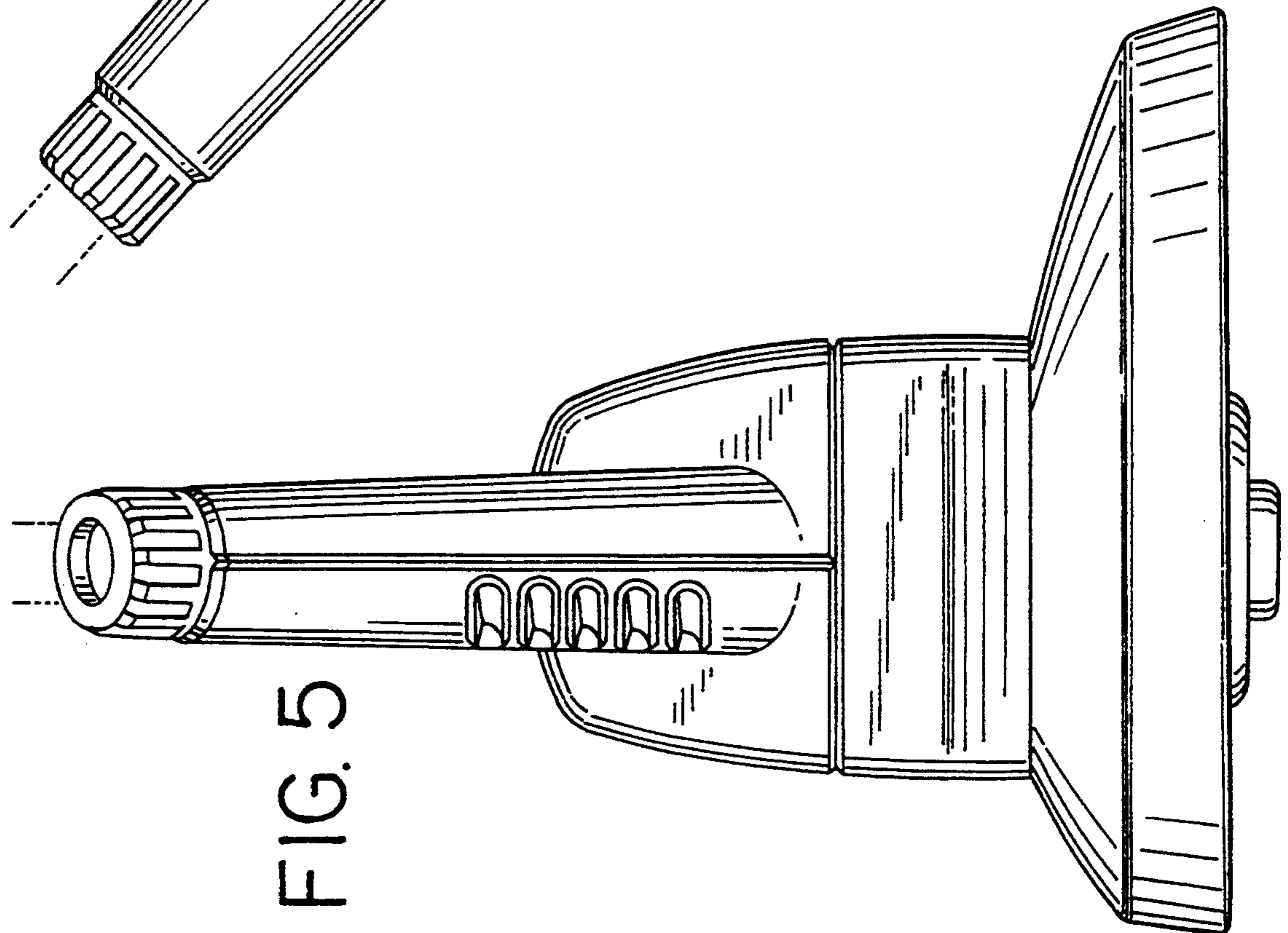


FIG. 5

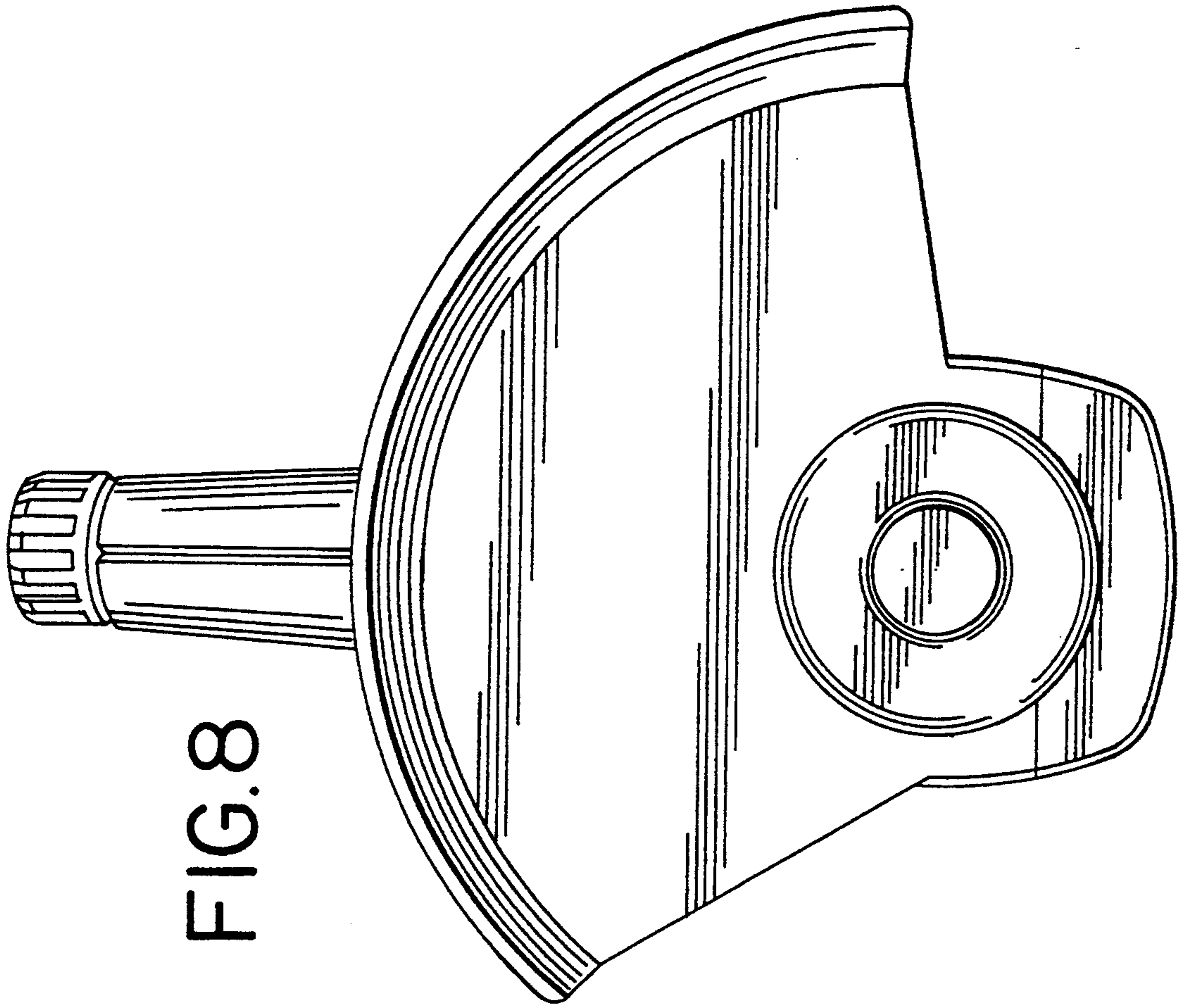


FIG. 8

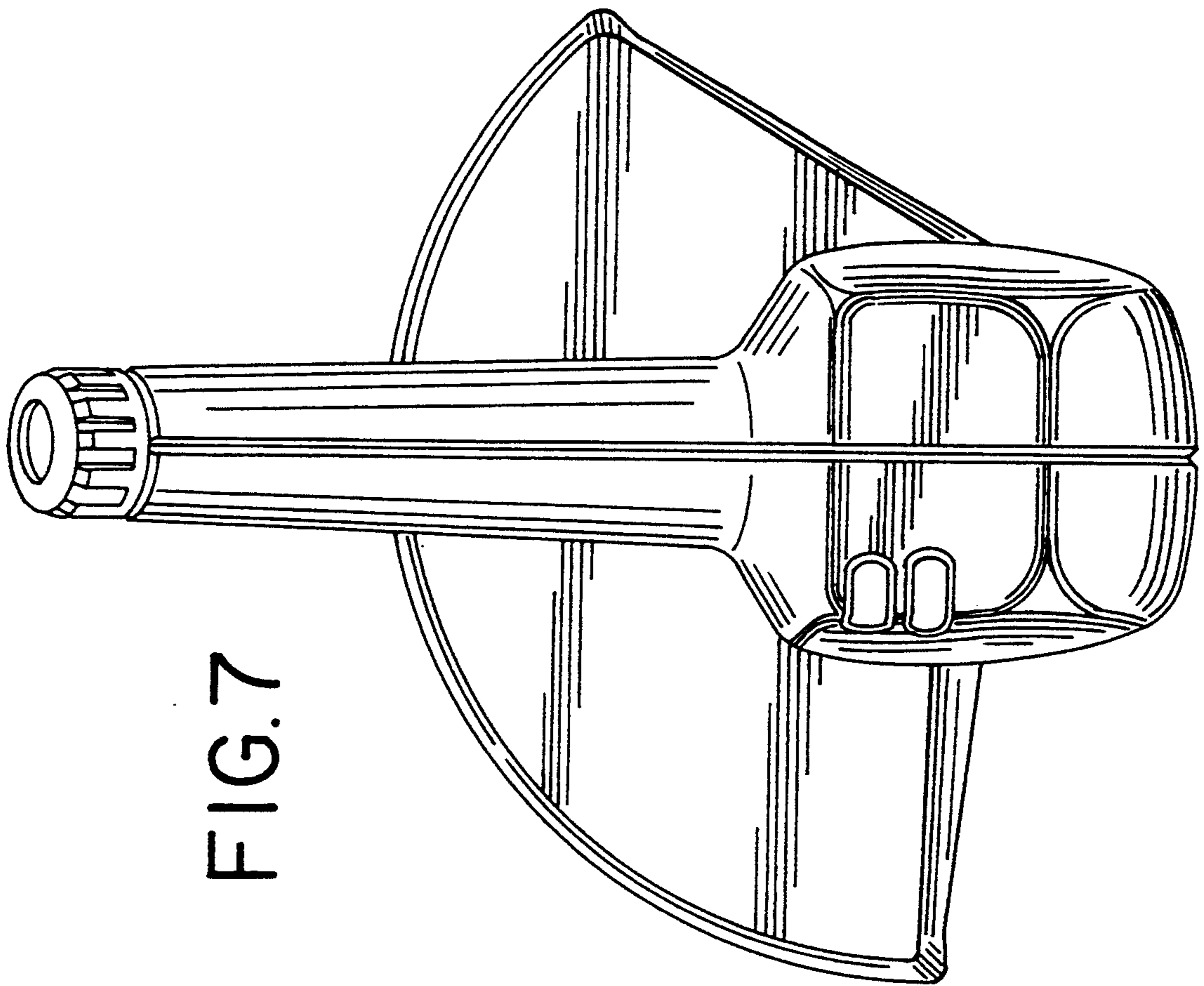


FIG. 7

FIG.10

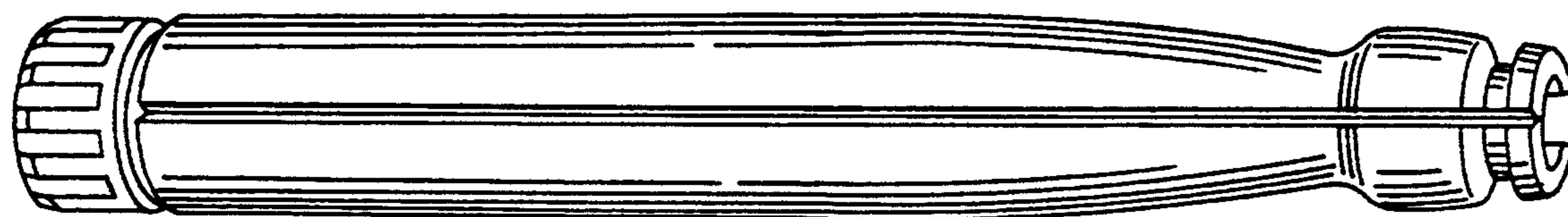


FIG.9

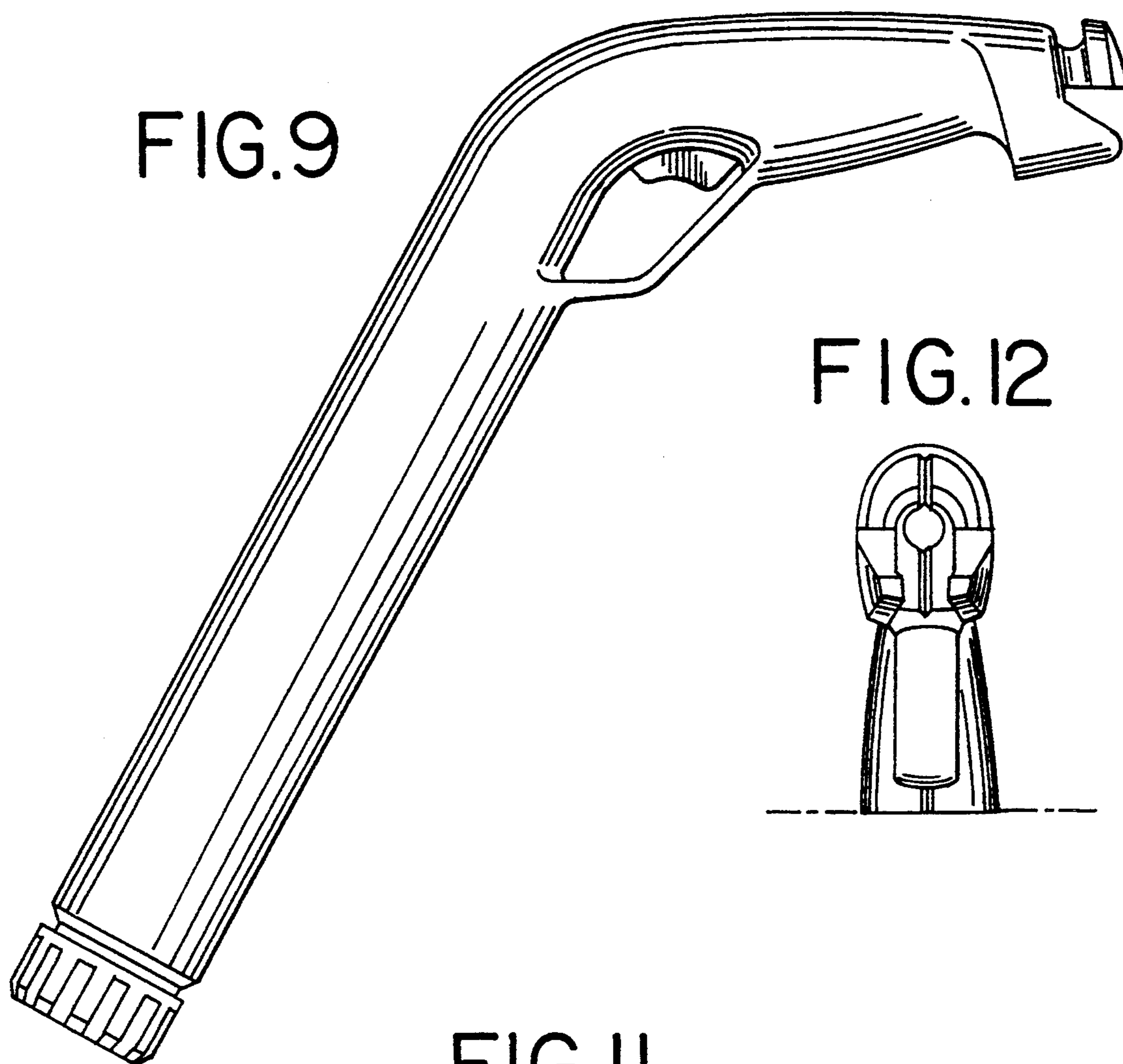


FIG.12

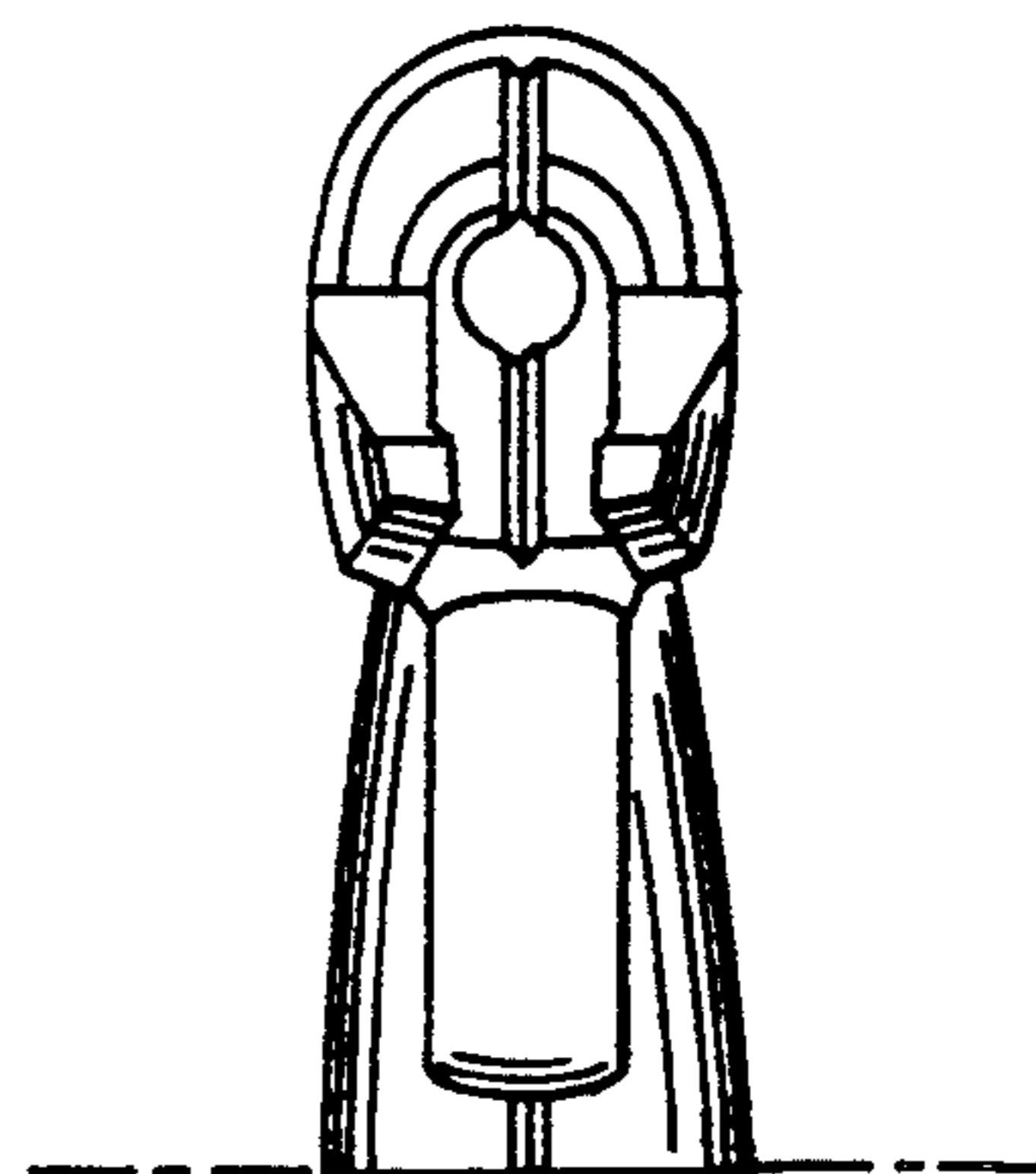


FIG.11

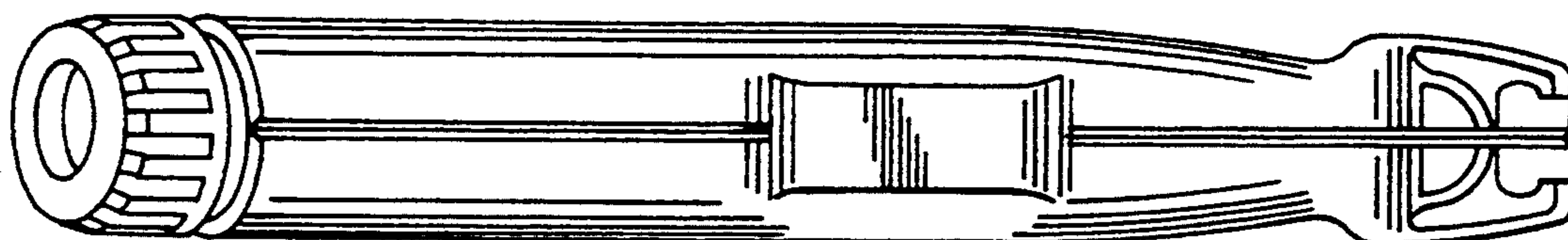


FIG.16

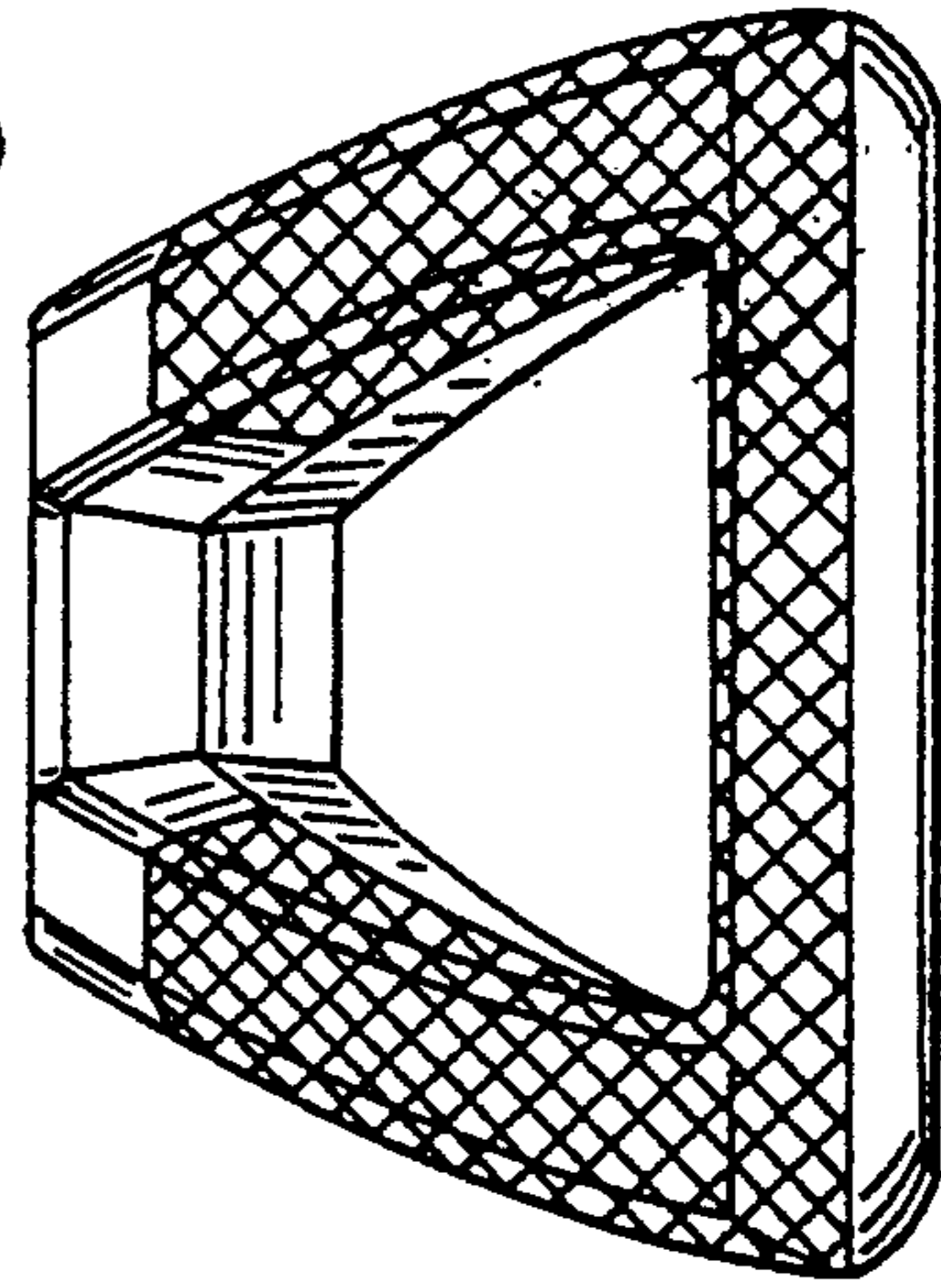


FIG.13

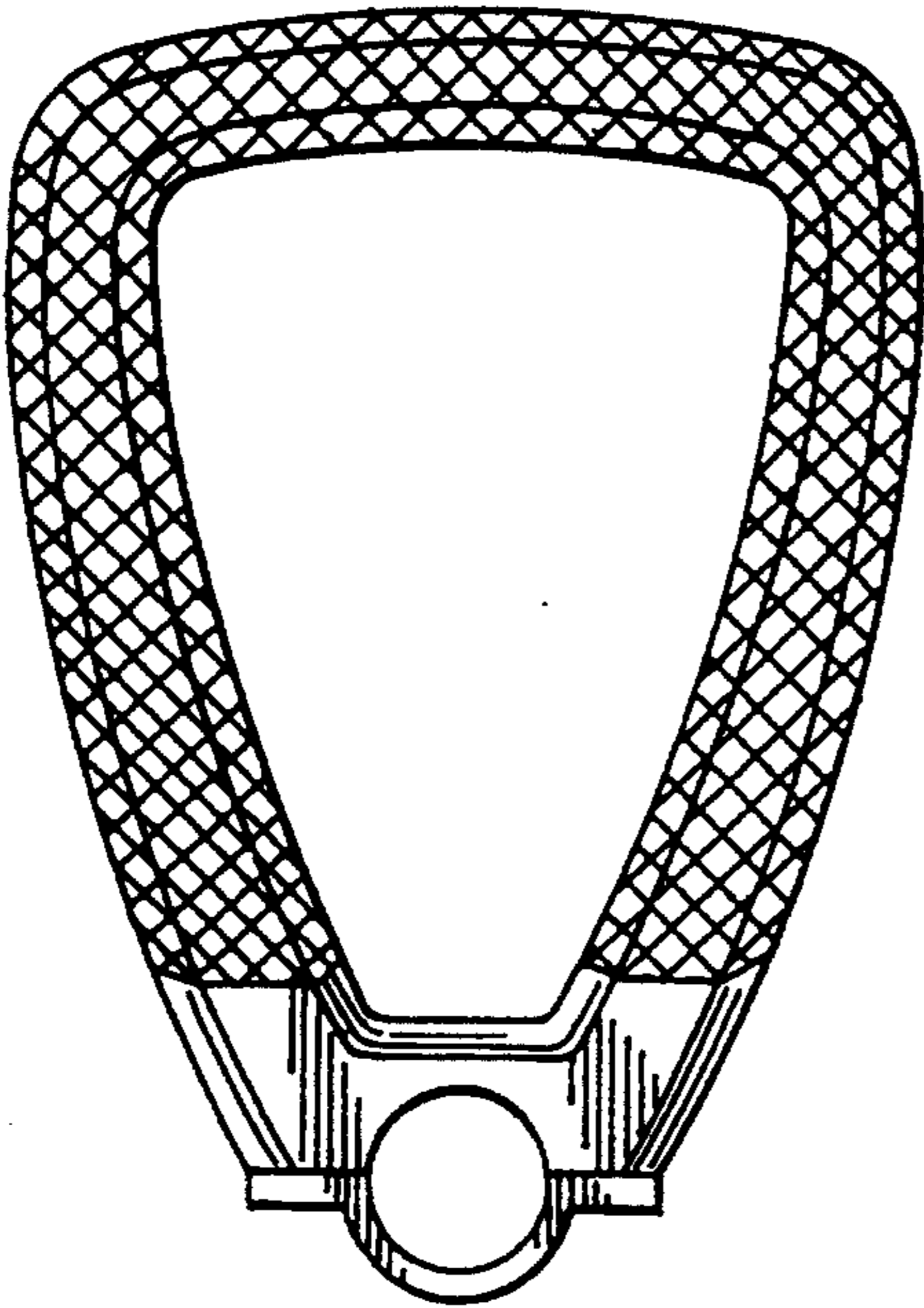


FIG.14

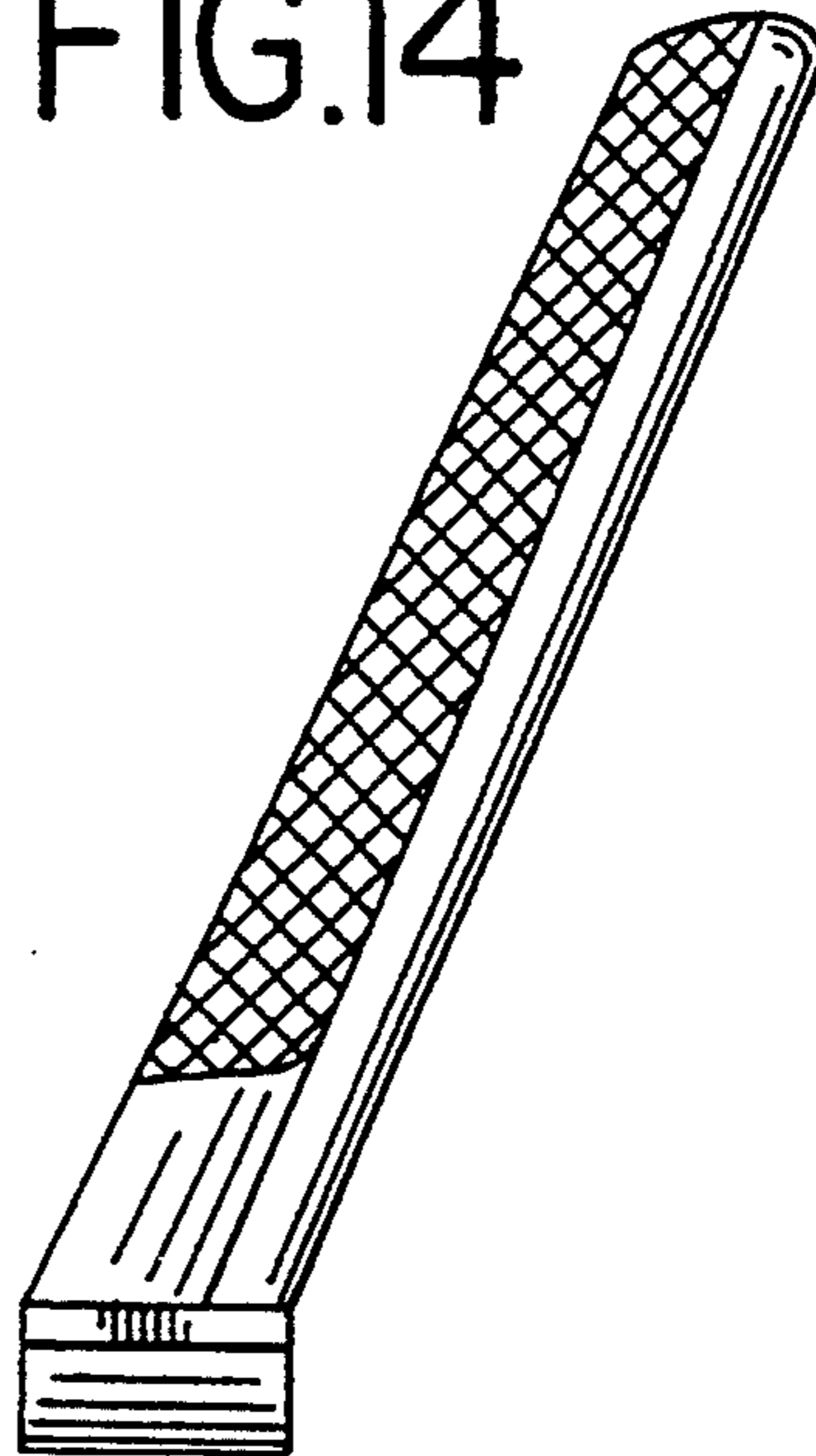


FIG.15

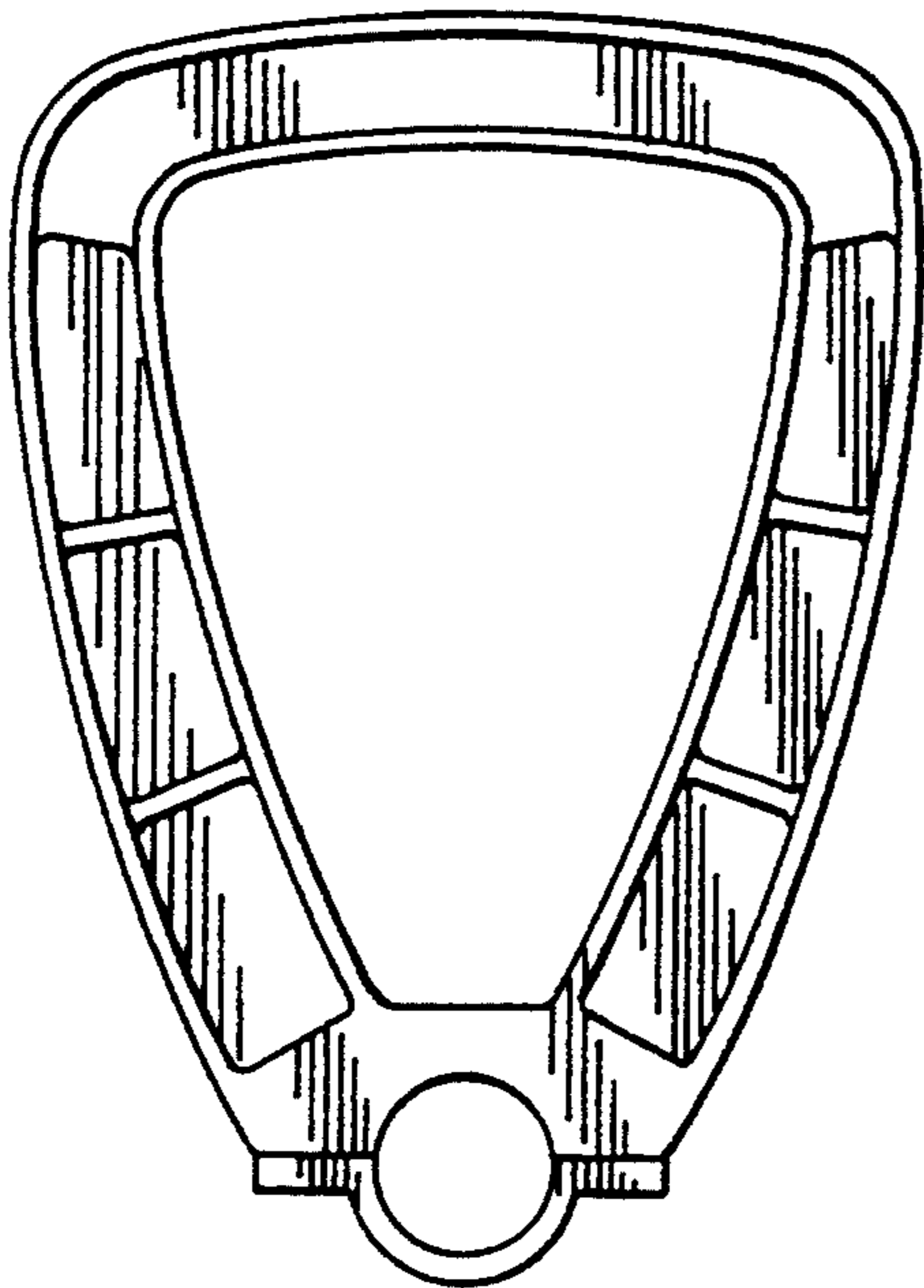
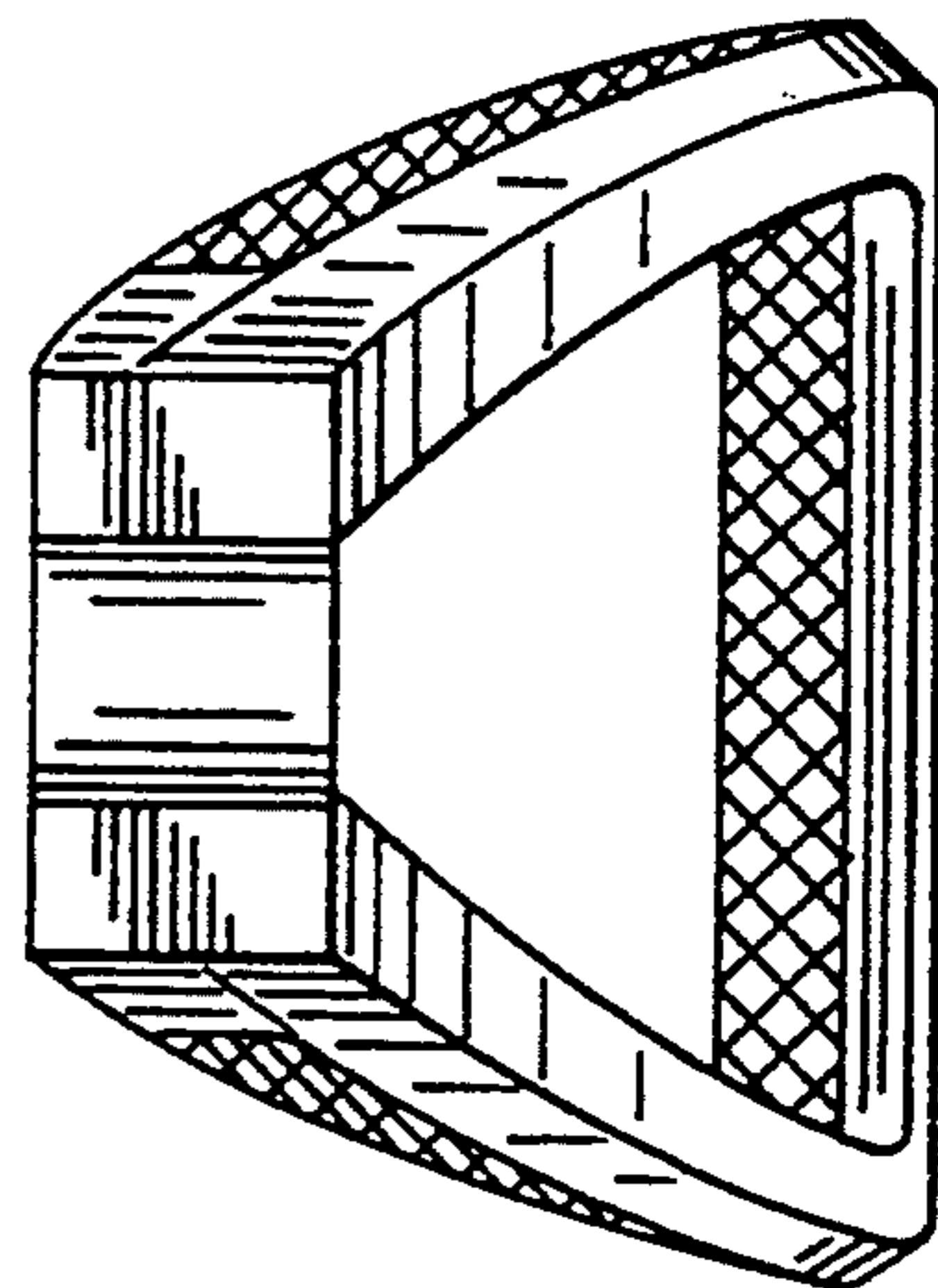


FIG.17





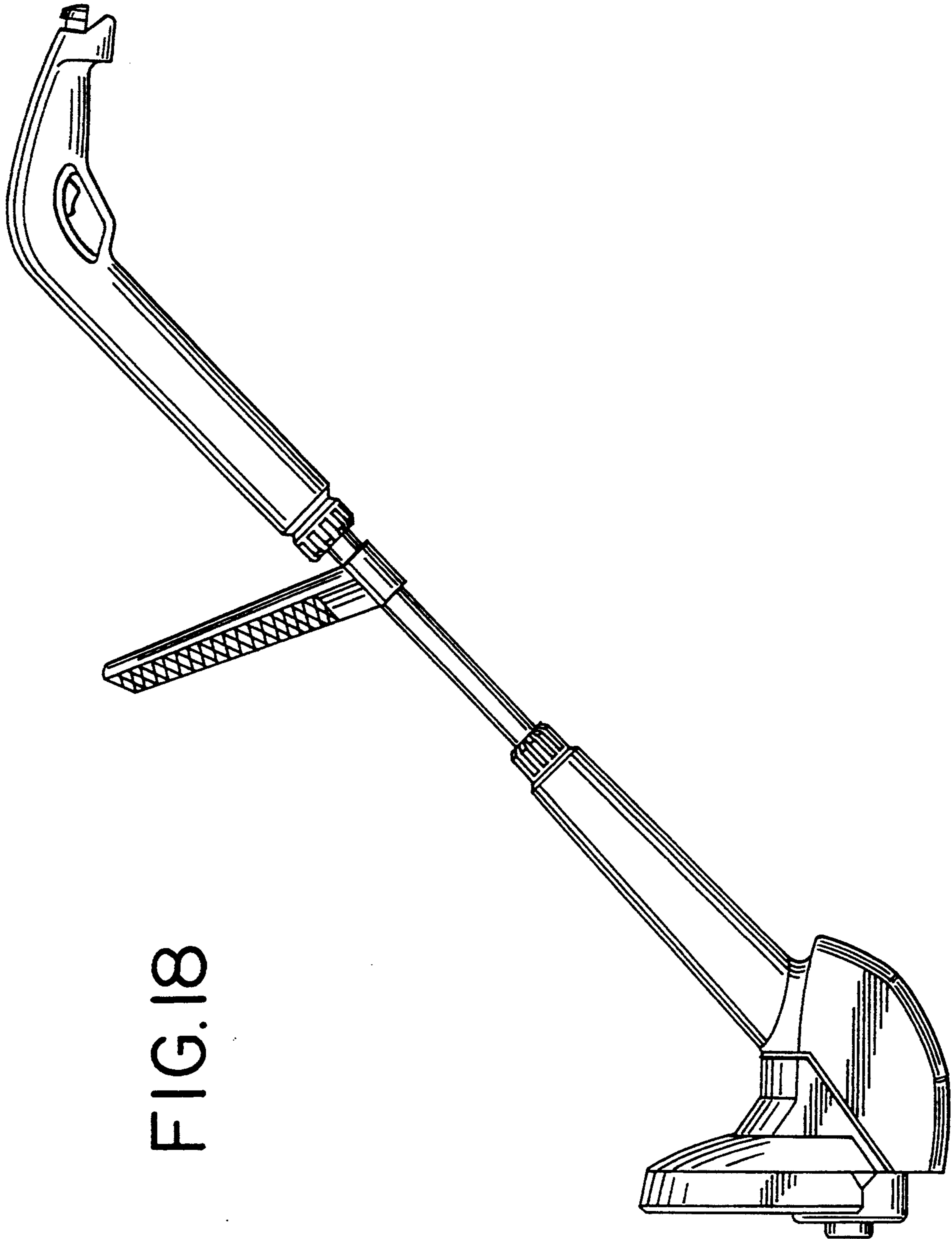


FIG. 18