



US00D349216S

# United States Patent [19]

[11] Patent Number: **Des. 349,216**

Steinfels, III

[45] Date of Patent: **\*\* Aug. 2, 1994**

[54] **BEVERAGE CONTAINER HOLDER**

[76] Inventor: **Victor E. Steinfels, III**, 8627 Gavinton Ct., Dublin, Ohio 43017

[\*] Notice: The portion of the term of this patent subsequent to Jul. 13, 2007 has been disclaimed.

[\*\*] Term: **14 Years**

[21] Appl. No.: **4,728**

[22] Filed: **Feb. 11, 1993**

**Related U.S. Application Data**

[63] Continuation-in-part of Ser. No. 919,558, Jul. 22, 1992, abandoned.

[52] U.S. Cl. .... **D7/623; D7/625**

[58] Field of Search ..... **D7/514-515, D7/533, 509, 604, 606, 619-623; D9/307, 320; 229/1.5 H; 220/737, 739; D11/149**

[56] **References Cited**

**U.S. PATENT DOCUMENTS**

- D. 243,578 3/1977 Danat ..... D7/5
- 250,444 12/1978 Danat et al. .... D7/5
- D. 314,492 2/1991 Weller et al. .... D7/623
- D. 337,242 7/1993 Steingels, III ..... D7/623

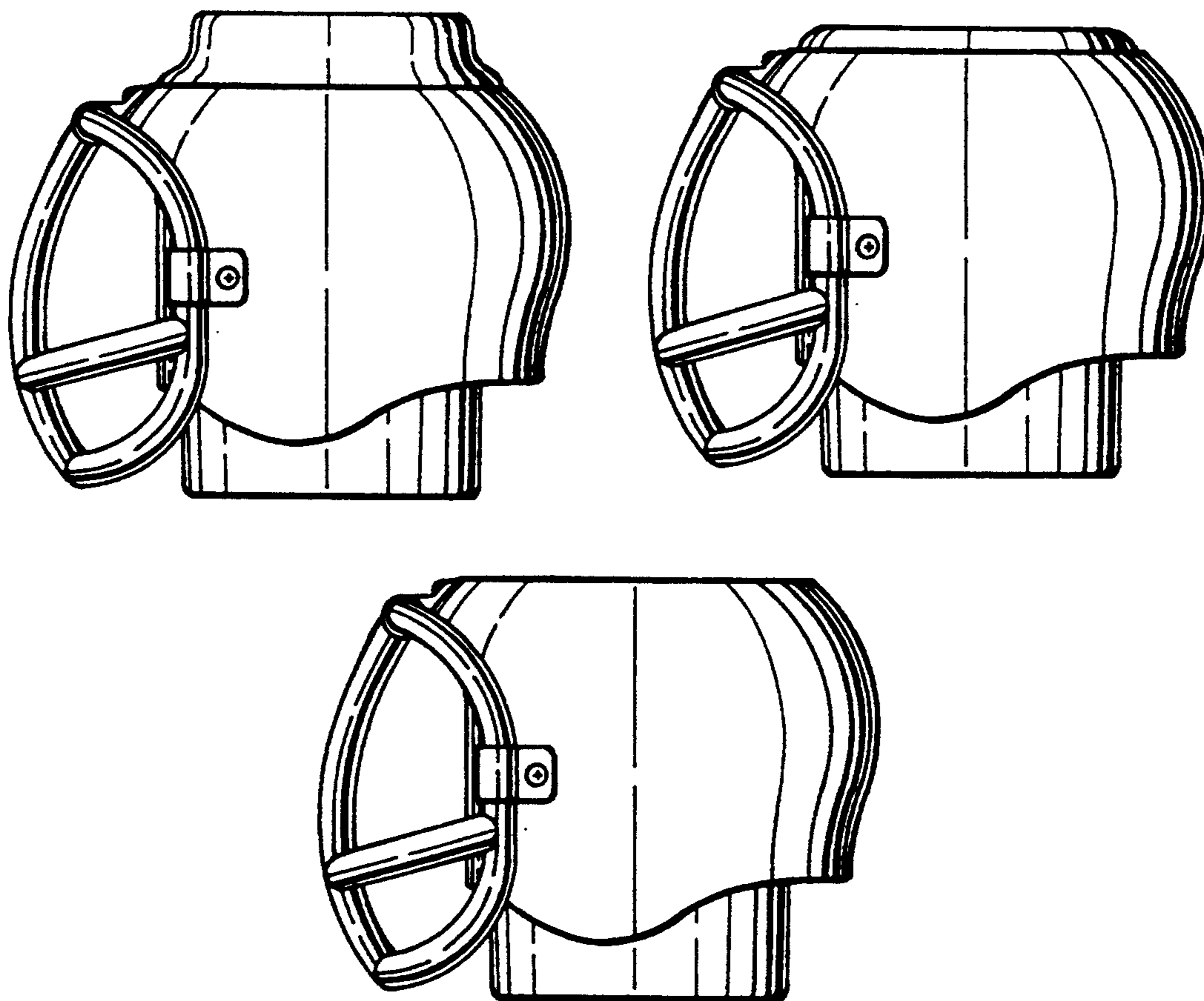
*Primary Examiner*—Terry A. Wallace  
*Attorney, Agent, or Firm*—Mueller and Smith

[57] **CLAIM**

The ornamental design for beverage container holder, as shown and described.

**DESCRIPTION**

FIG. 1 is a front view of the beverage container holder showing my new design;  
 FIG. 2 is a left view thereof;  
 FIG. 3 is a rear view thereof;  
 FIG. 4 is a top view thereof;  
 FIG. 5 is a bottom view thereof;  
 FIG. 6 is a front view of a second embodiment of the beverage container holder showing my new design;  
 FIG. 7 is a left view of a second embodiment thereof;  
 FIG. 8 is a rear view of a second embodiment thereof;  
 FIG. 9 is a top view of a second embodiment thereof;  
 FIG. 10 is a bottom view of a second embodiment thereof;  
 FIG. 11 is a front view of a third embodiment of the beverage container holder showing my new design;  
 FIG. 12 is a left view of a third embodiment thereof;  
 FIG. 13 is a rear view of a third embodiment thereof;  
 FIG. 14 is a top view of a third embodiment thereof;  
 and,  
 FIG. 15 is a bottom view of a third embodiment thereof.



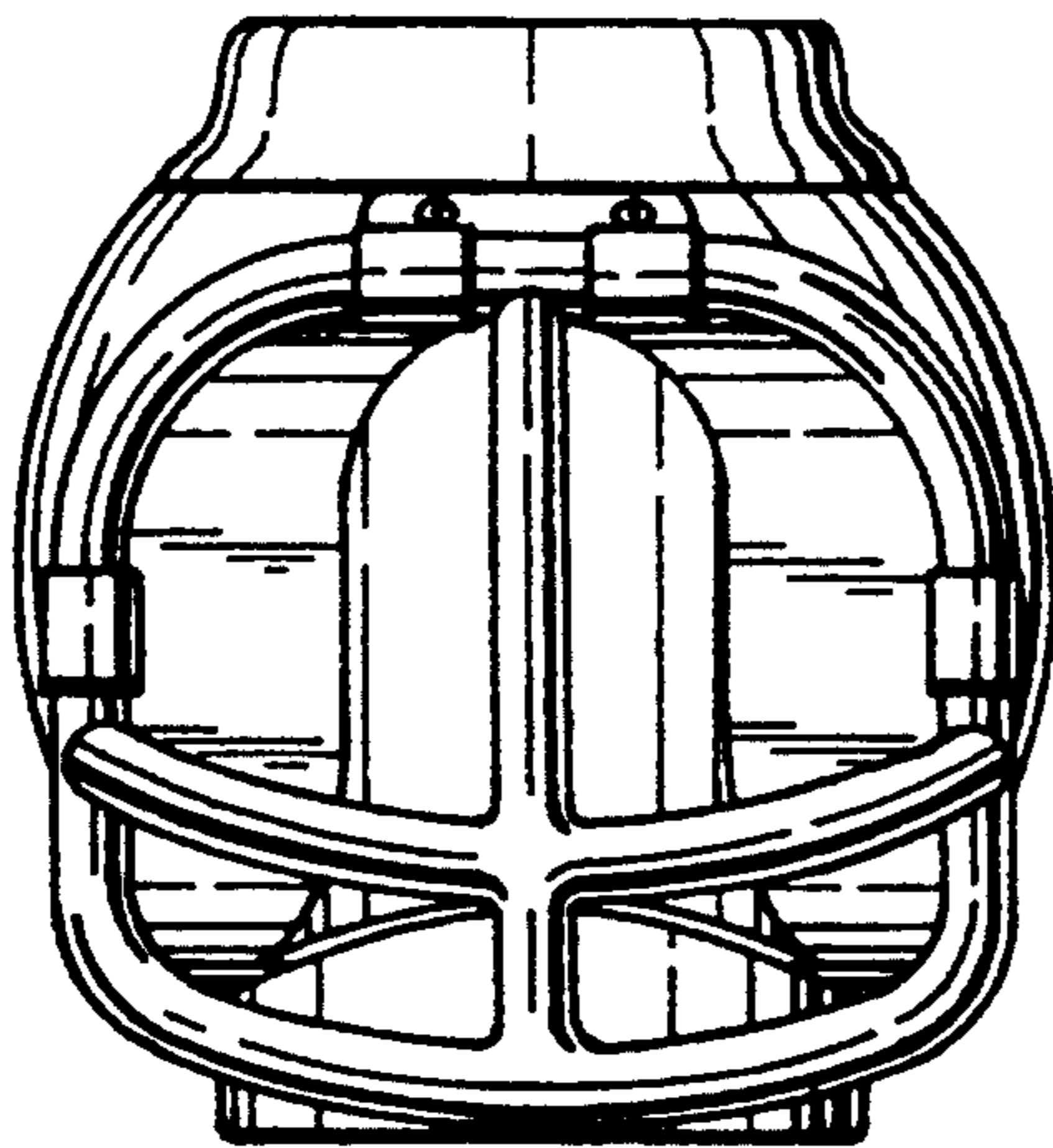


FIG. 1

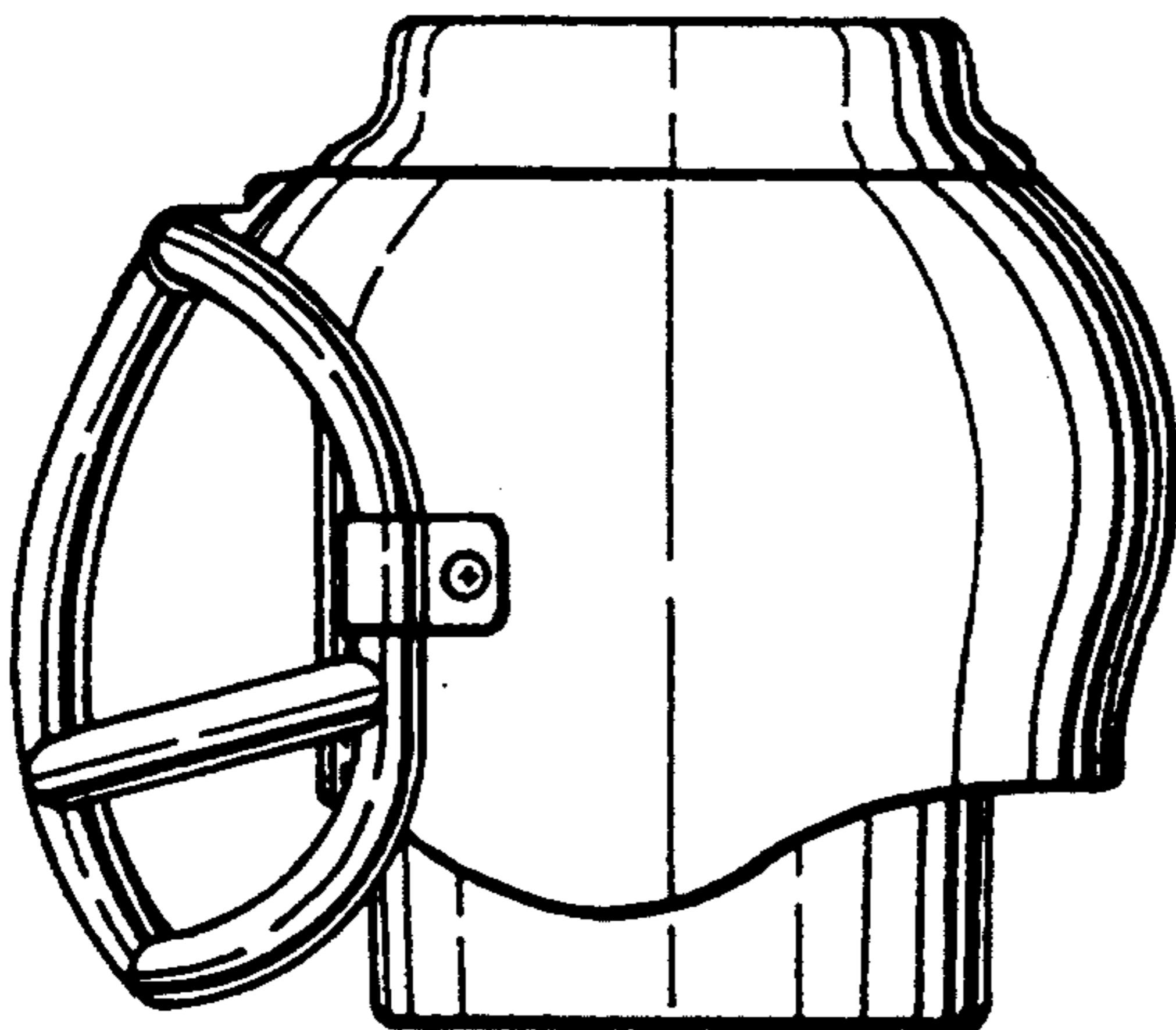


FIG. 2

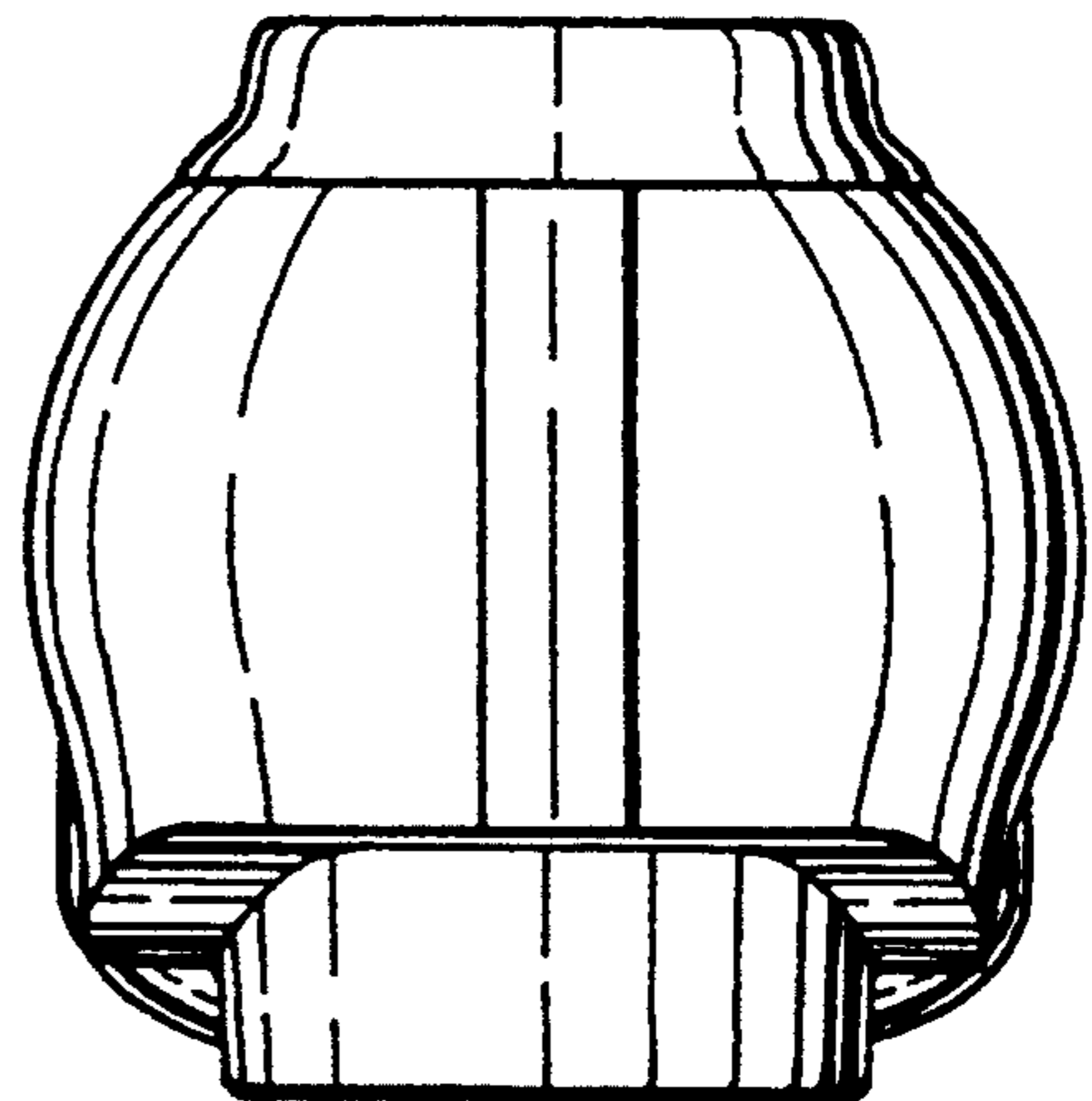


FIG. 3

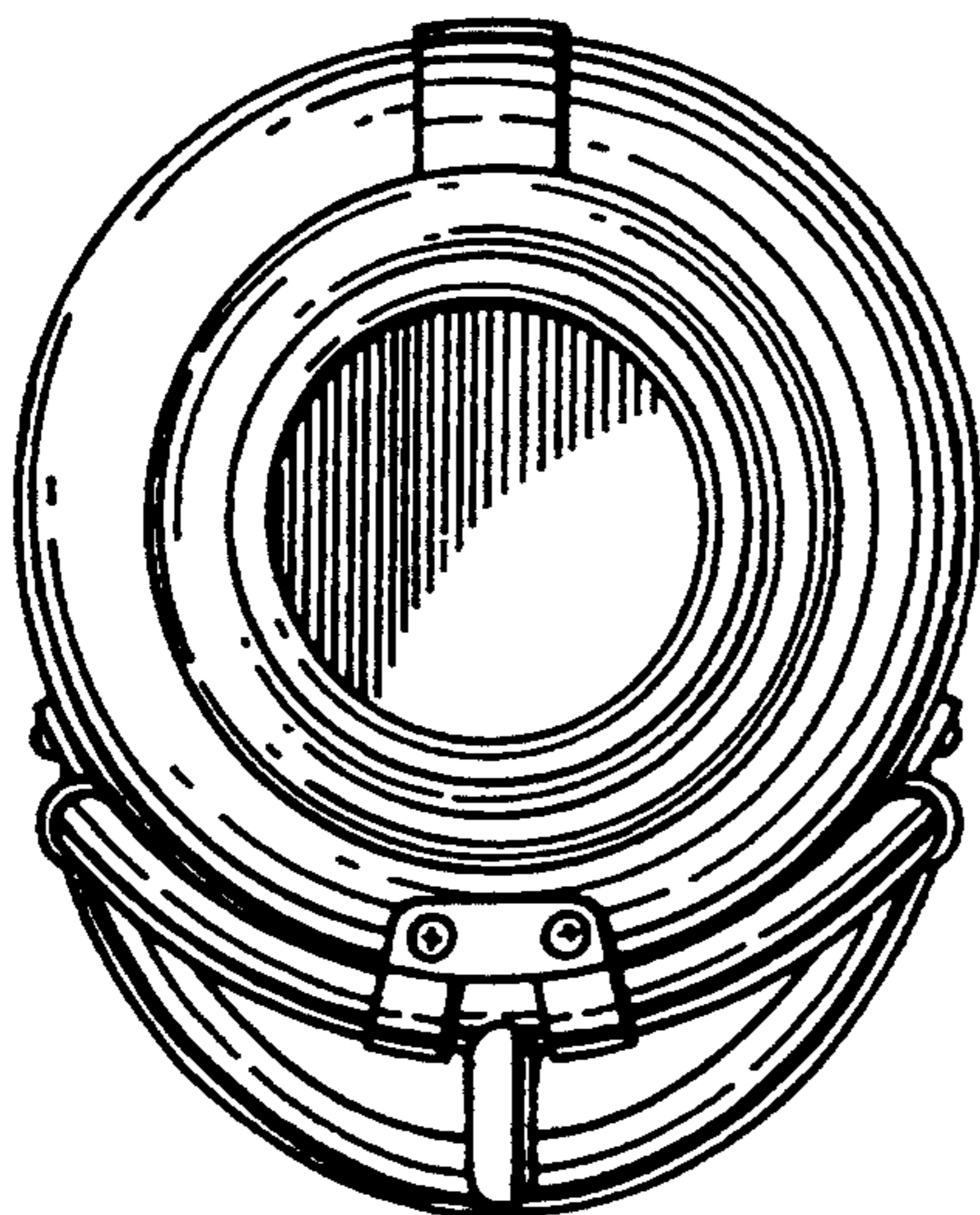


FIG. 4

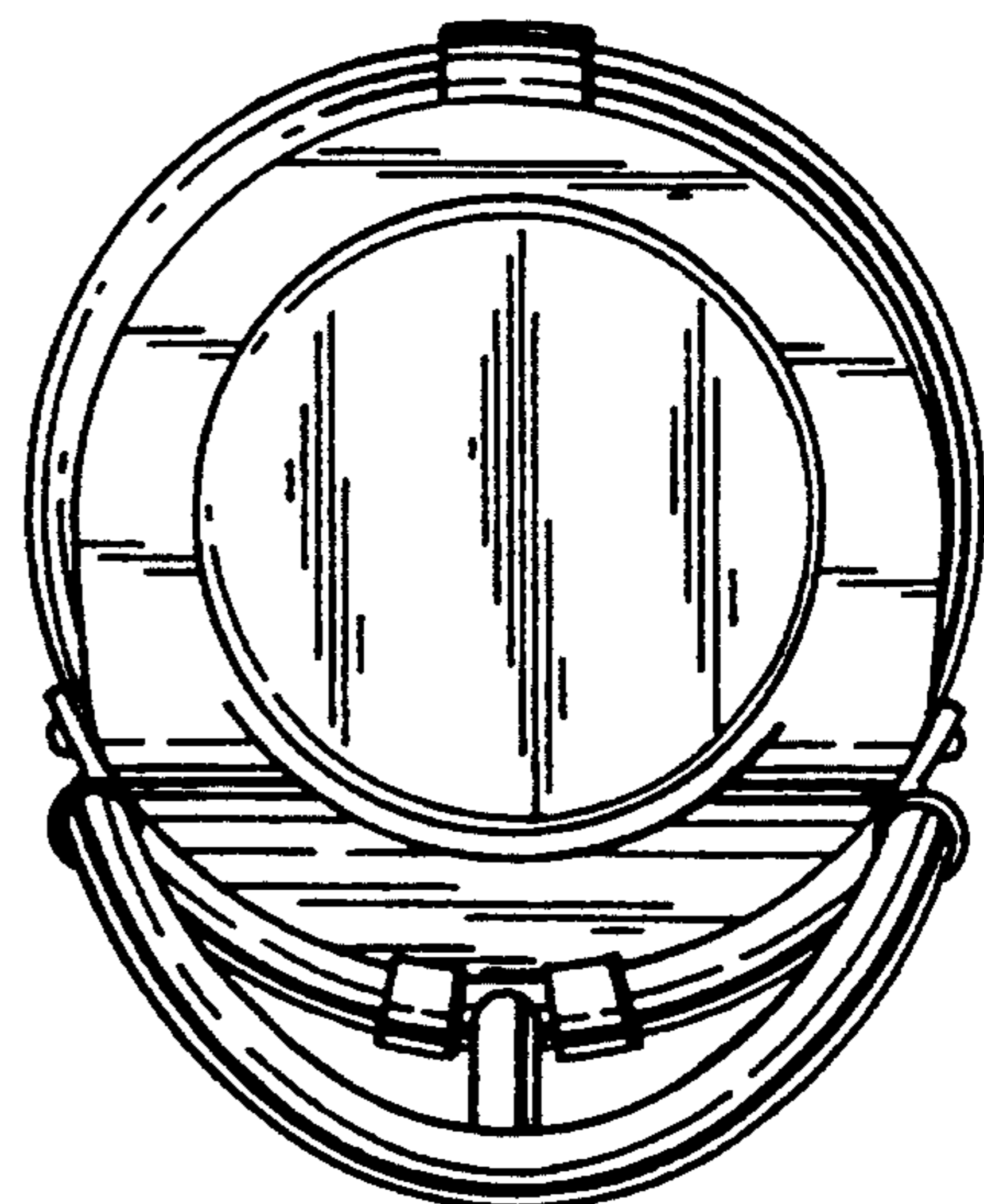


FIG. 5

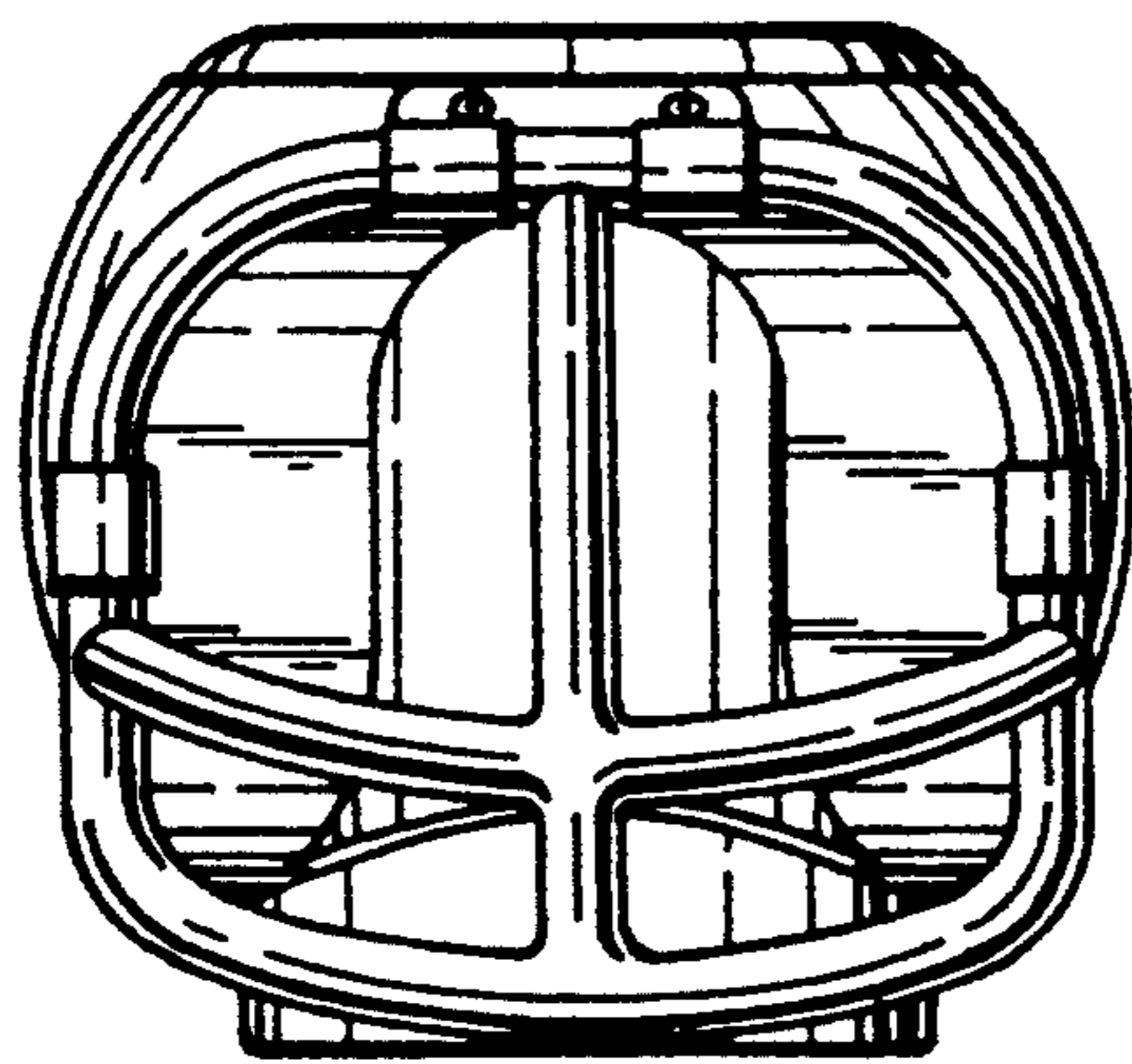


FIG. 6

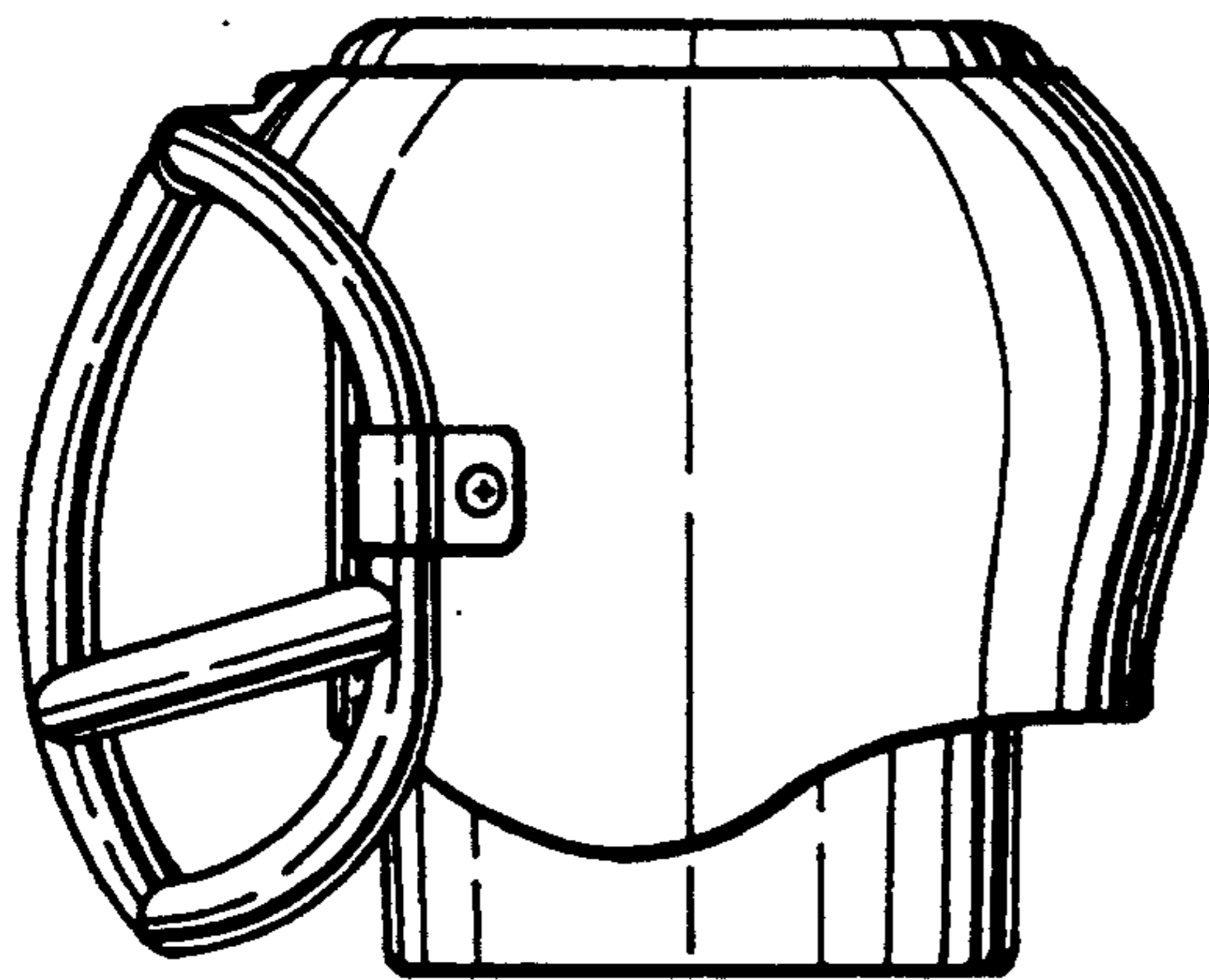


FIG. 7

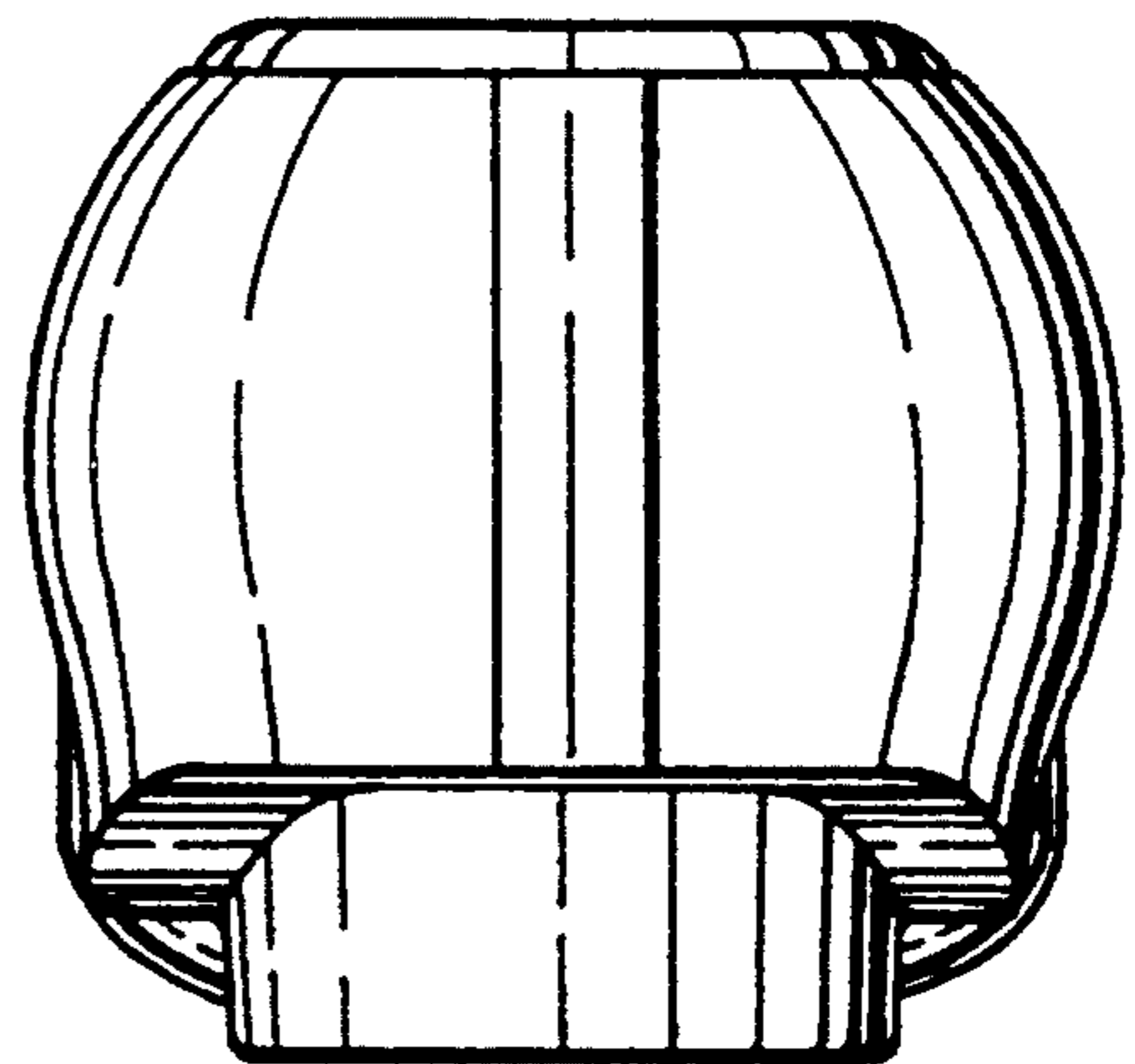


FIG. 8

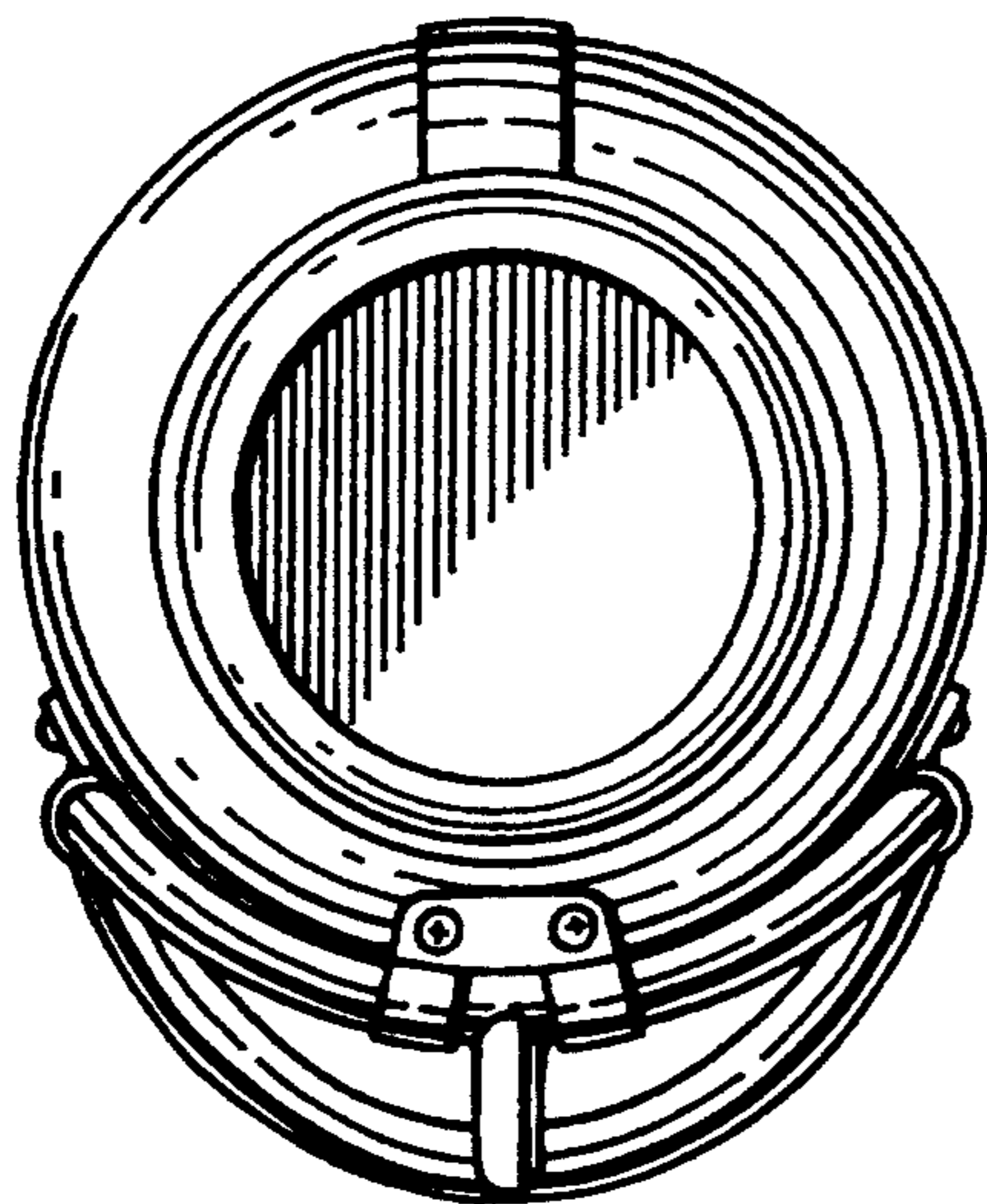


FIG. 9

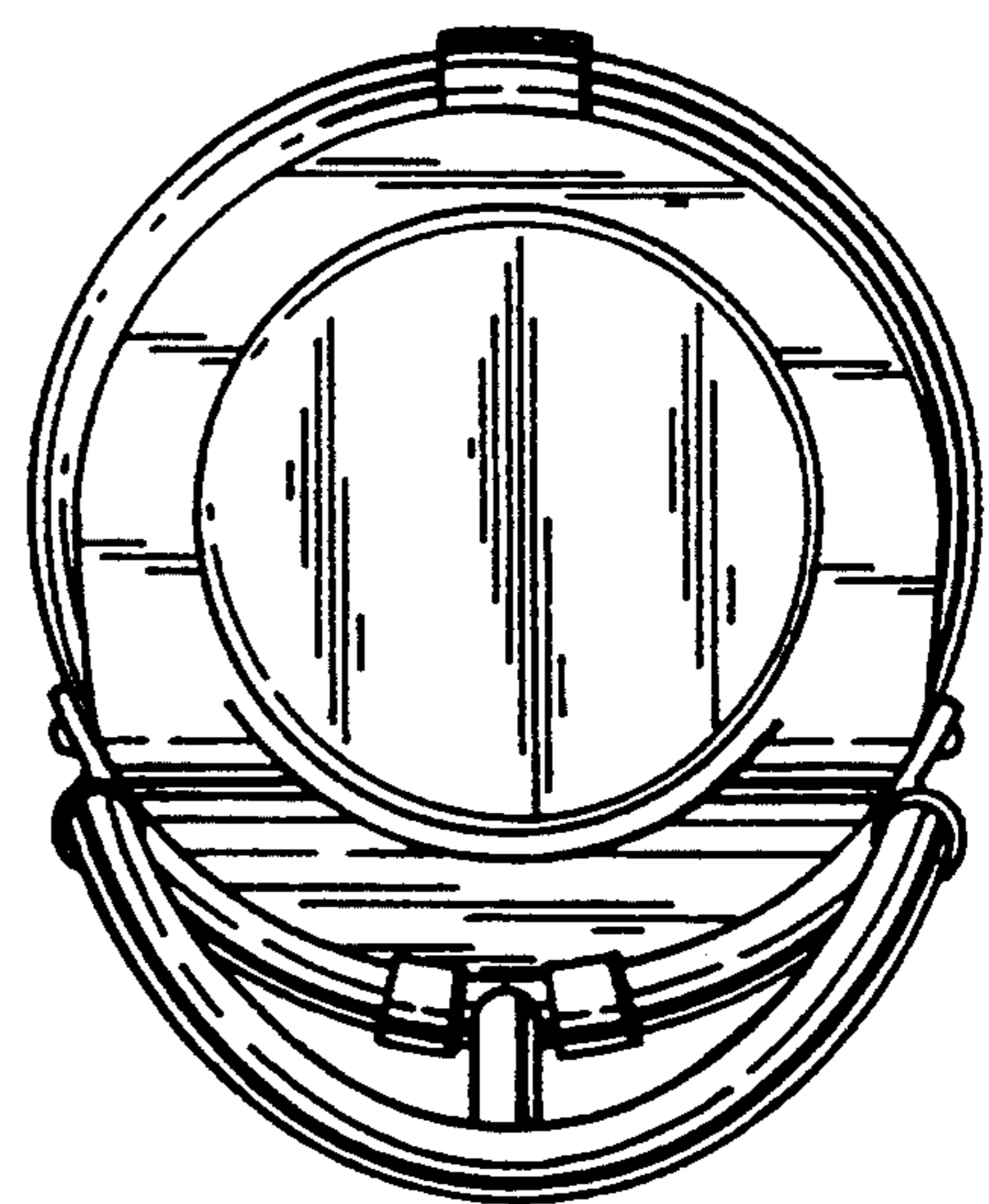


FIG. 10

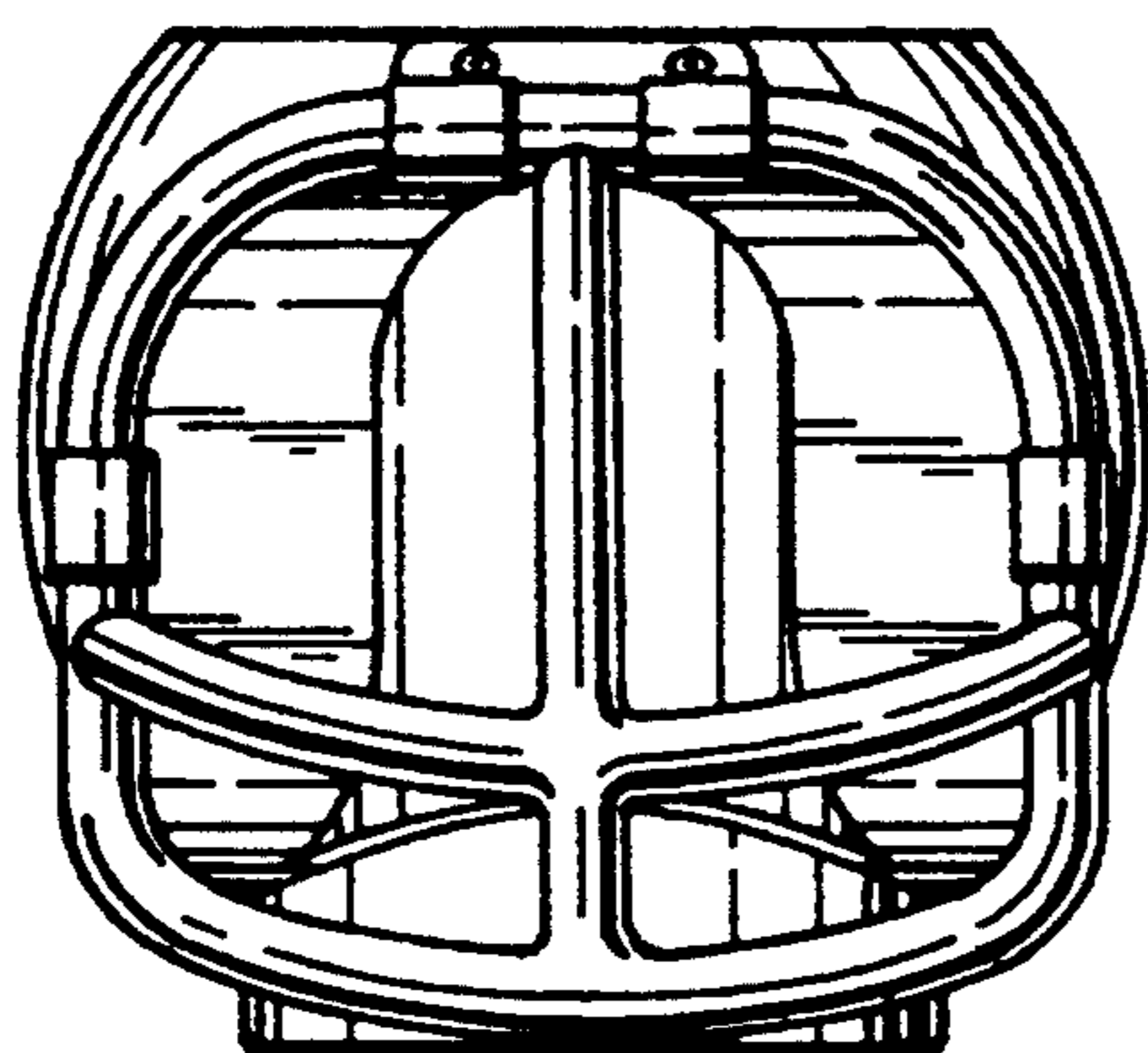


FIG. 11

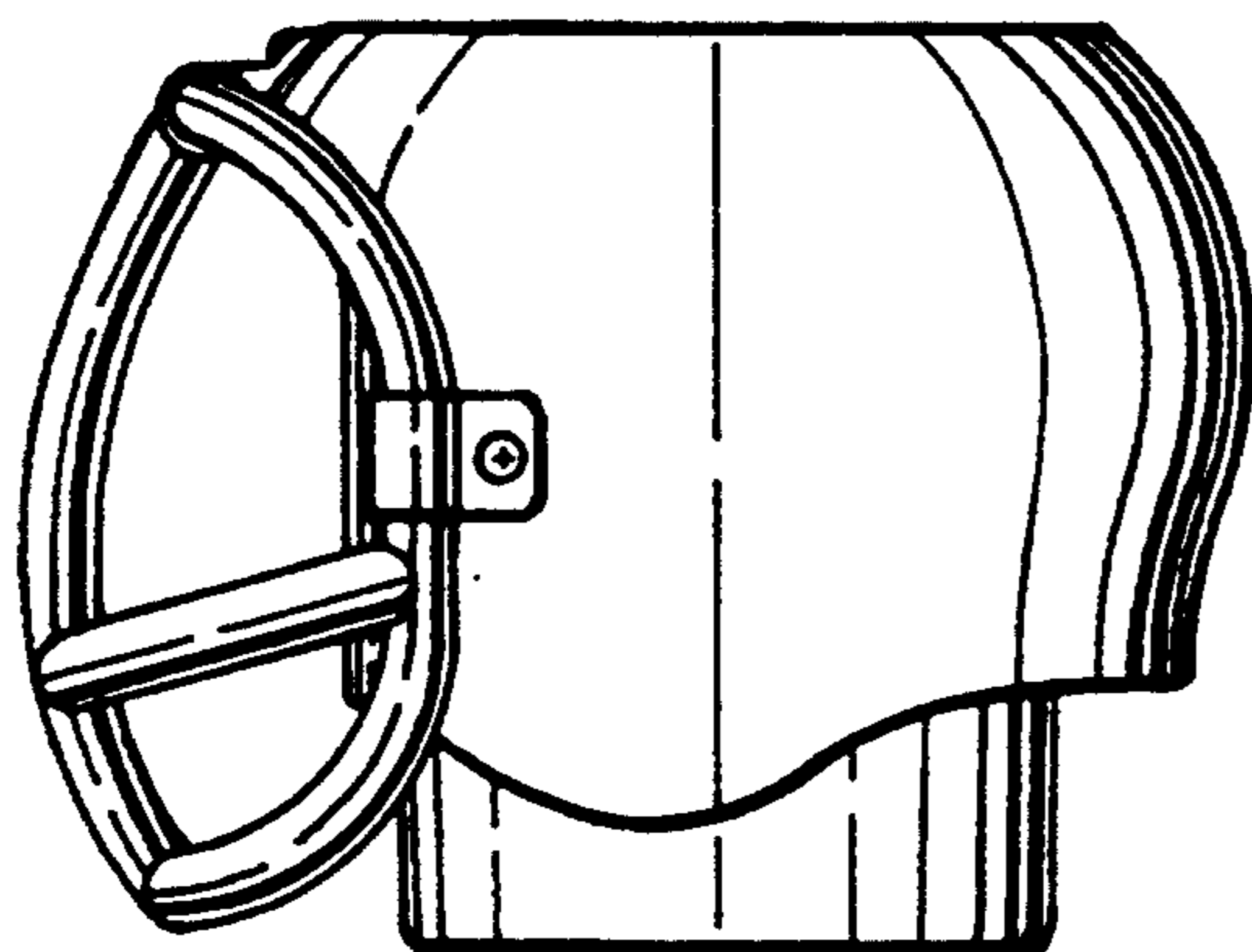


FIG. 12

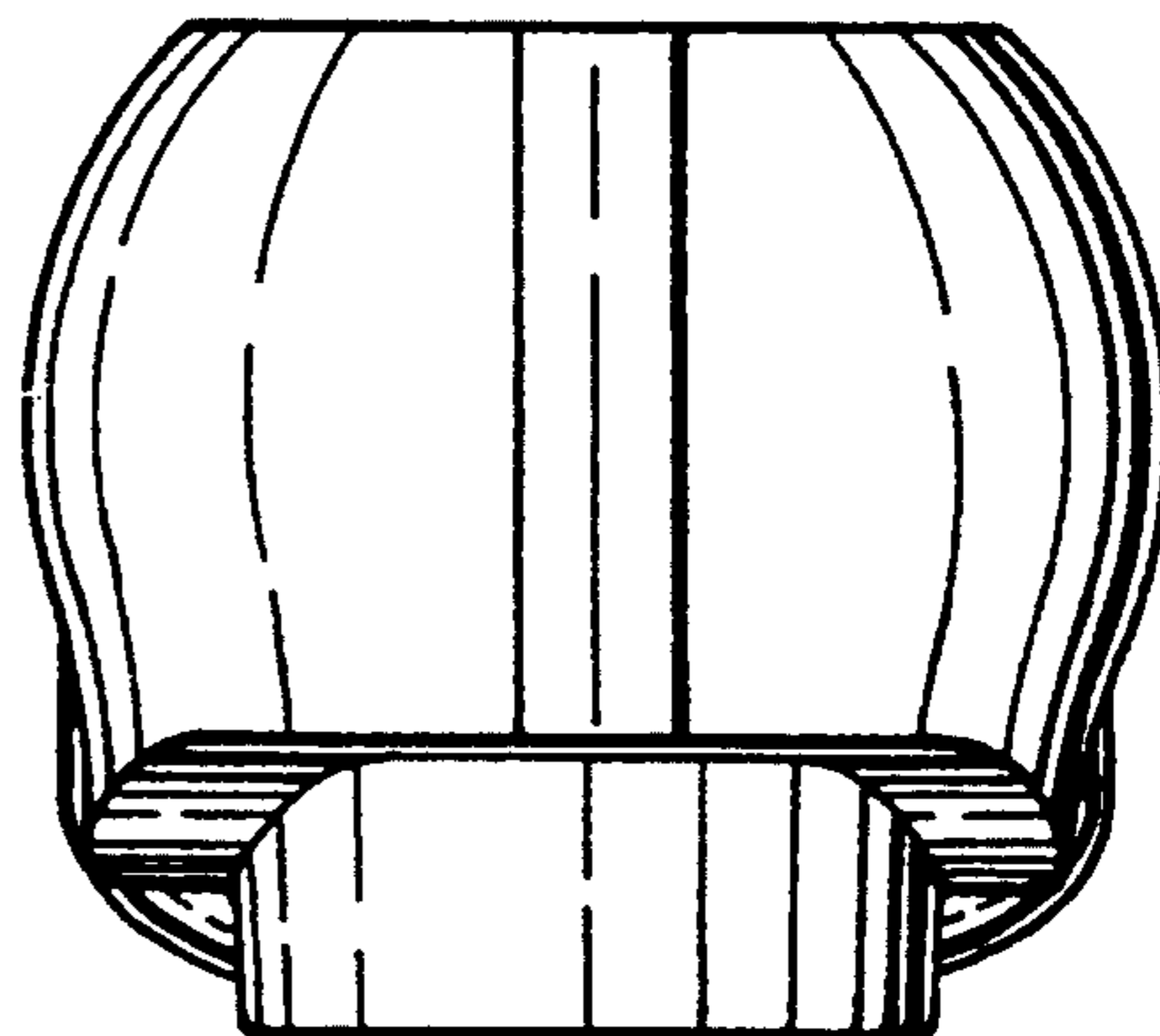


FIG. 13

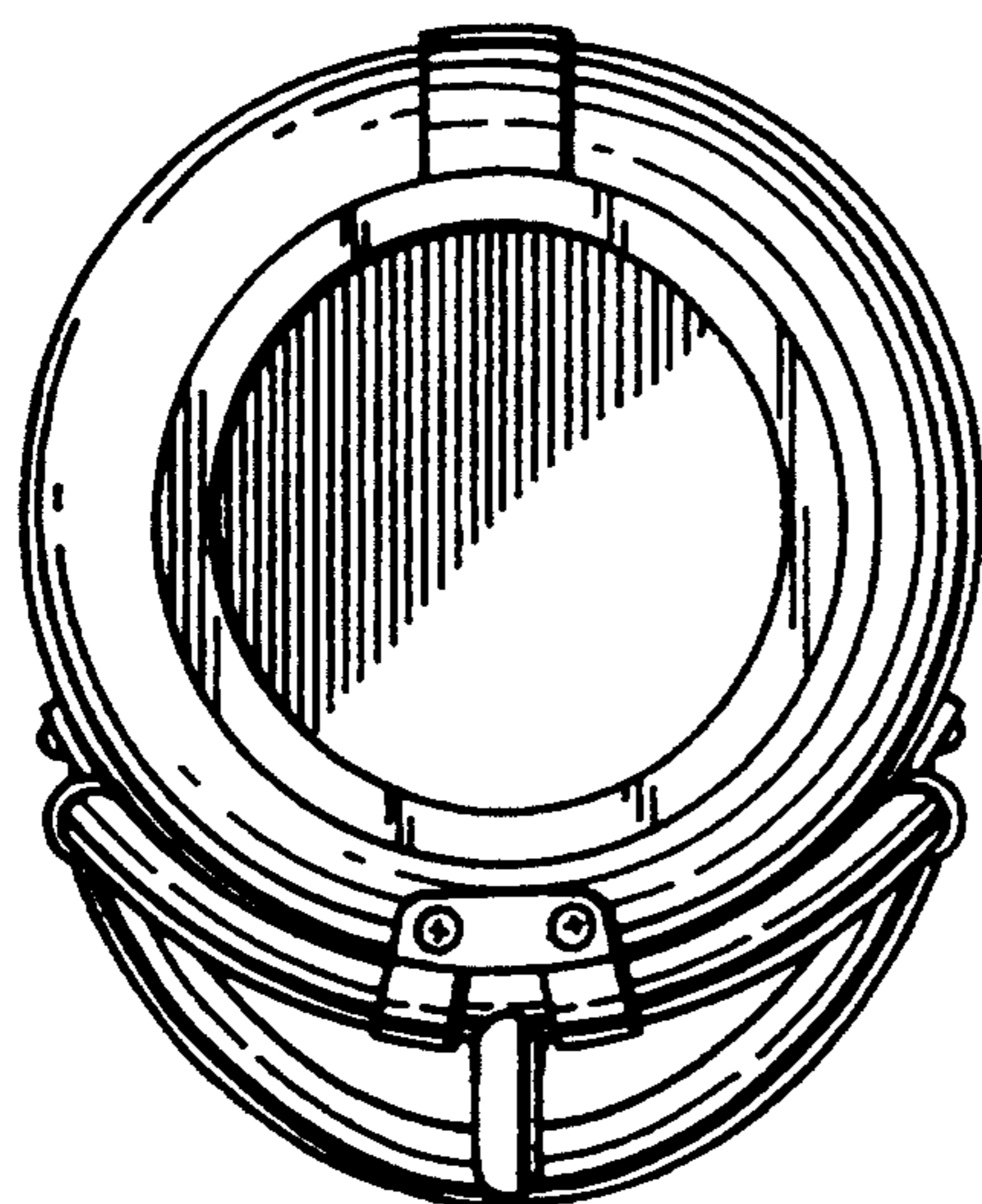


FIG. 14

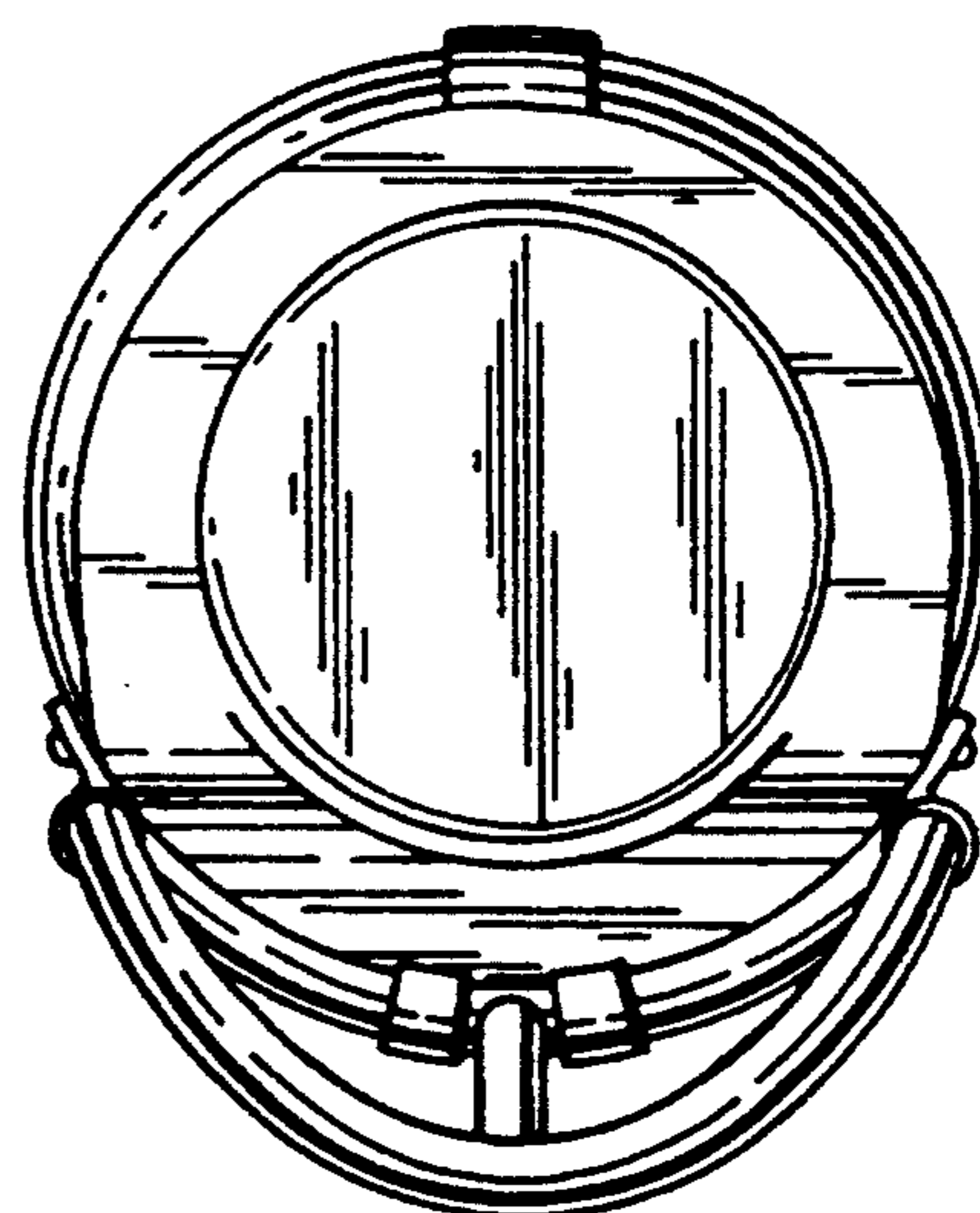


FIG. 15