



US00D349215S

United States Patent [19]

[11] Patent Number: **Des. 349,215**

Mercado

[45] Date of Patent: **** Aug. 2, 1994**

[54] **COMBINED COOLER AND STEREO**

4,939,912 7/1990 Leonovich .
5,235,822 8/1993 Leonovich, Jr. 62/371 X

[76] Inventor: **Victor Mercado, 414 14th St., Union City, N.J. 07087**

Primary Examiner—Terry A. Wallace
Attorney, Agent, or Firm—Terry M. Gernstein

[**] Term: **14 Years**

[57] **CLAIM**

[21] Appl. No.: **4,199**

The ornamental design for a combined cooler and stereo, as shown and described.

[22] Filed: **Jan. 29, 1993**

[52] U.S. Cl. **D7/605**

[58] Field of Search **D7/605-608, D7/629; 62/457.1, 457.7, 371, 530; 220/412; D14/160-168, 188.9**

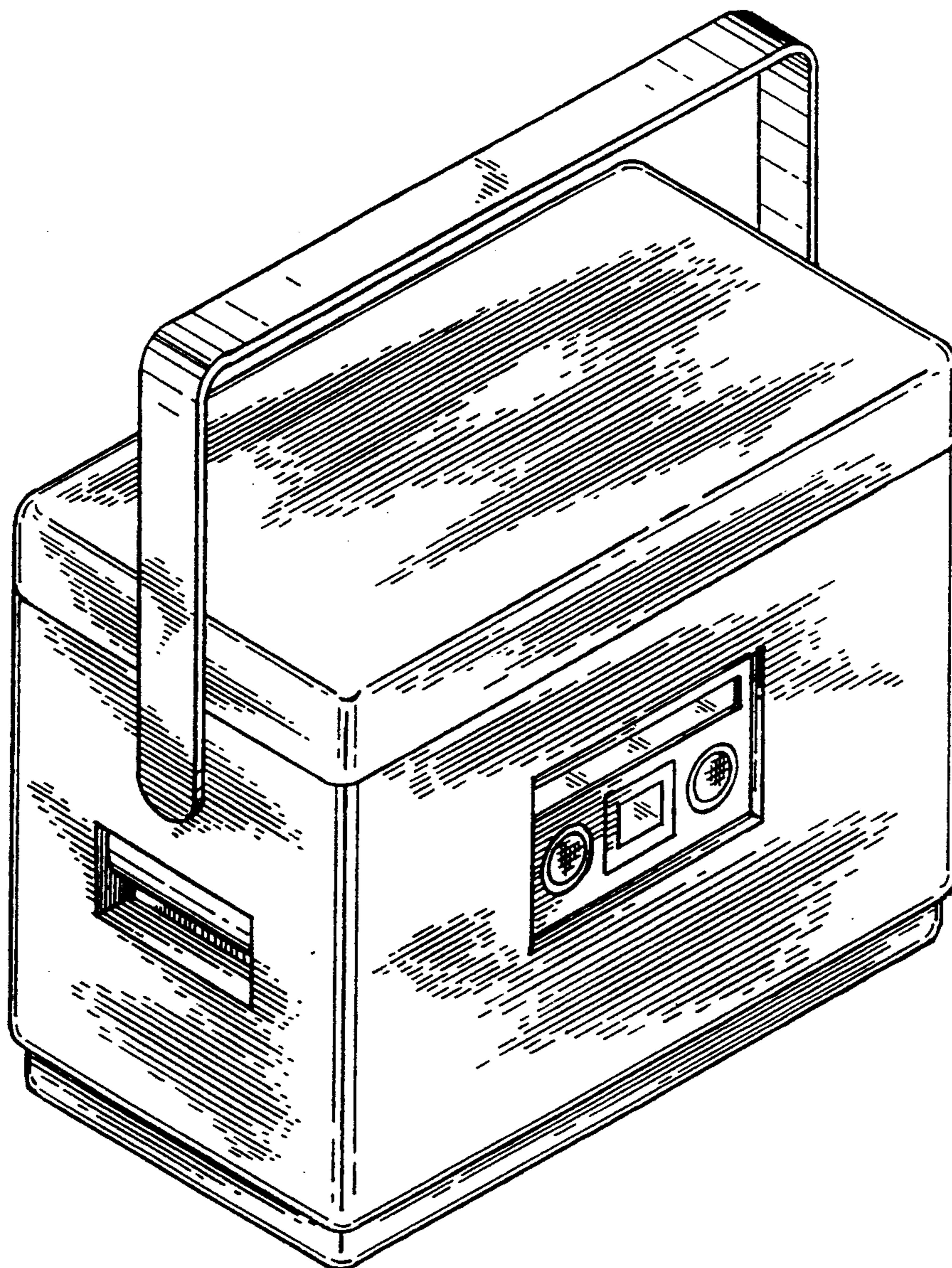
DESCRIPTION

FIG. 1 is a front, top and side perspective view of the combined cooler and stereo showing my new design; FIG. 2 is a front elevational view thereof; FIG. 3 is a rear elevational view thereof; FIG. 4 is a side elevational view thereof, the side opposite being a mirror image of the side shown in FIG. 4; FIG. 5 is a top plan view thereof; and, FIG. 6 is a bottom plan view thereof.

[56] **References Cited**

U.S. PATENT DOCUMENTS

4,571,740 2/1986 Kirby .
4,817,191 3/1989 Adams .



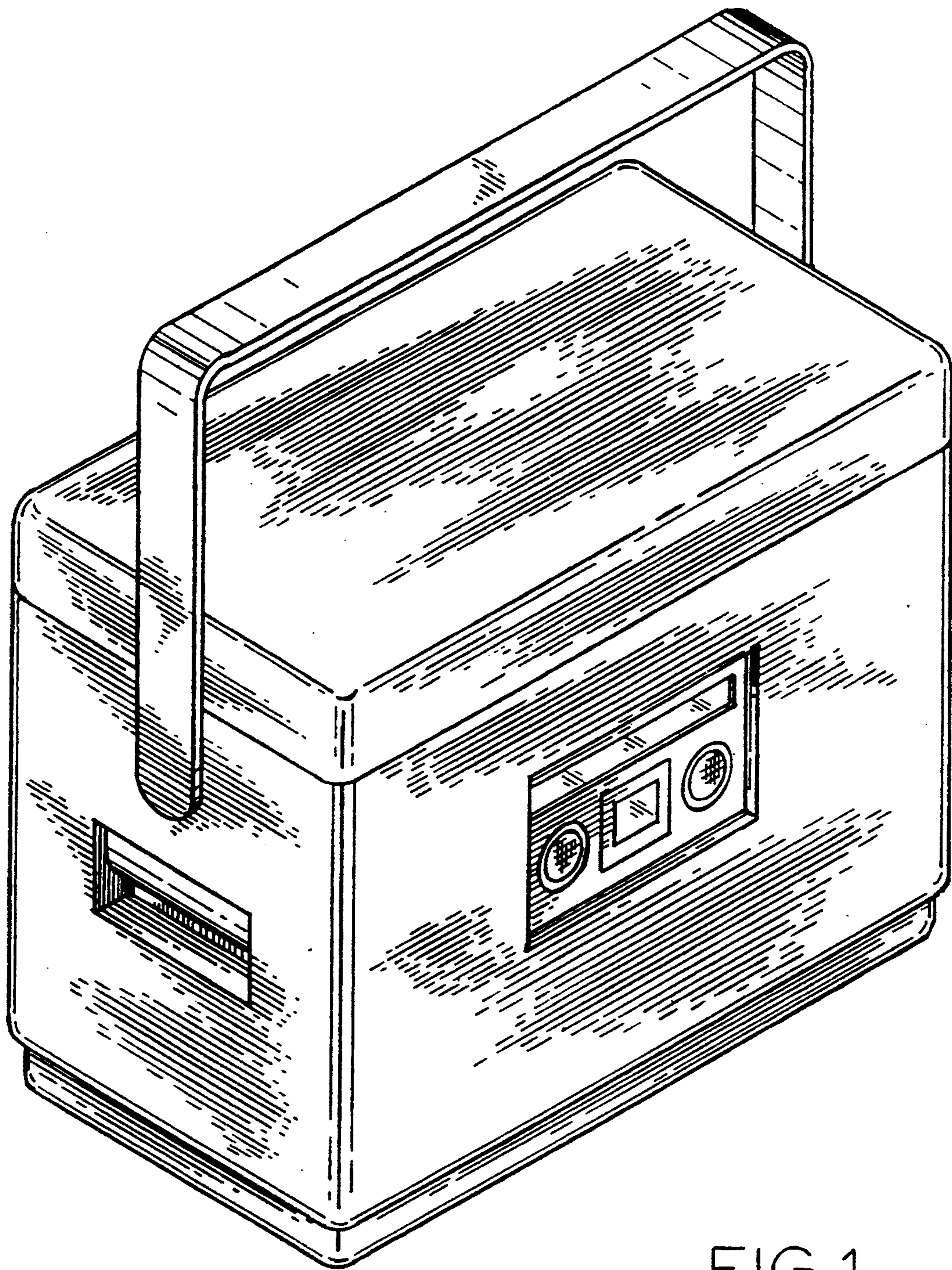


FIG. 1

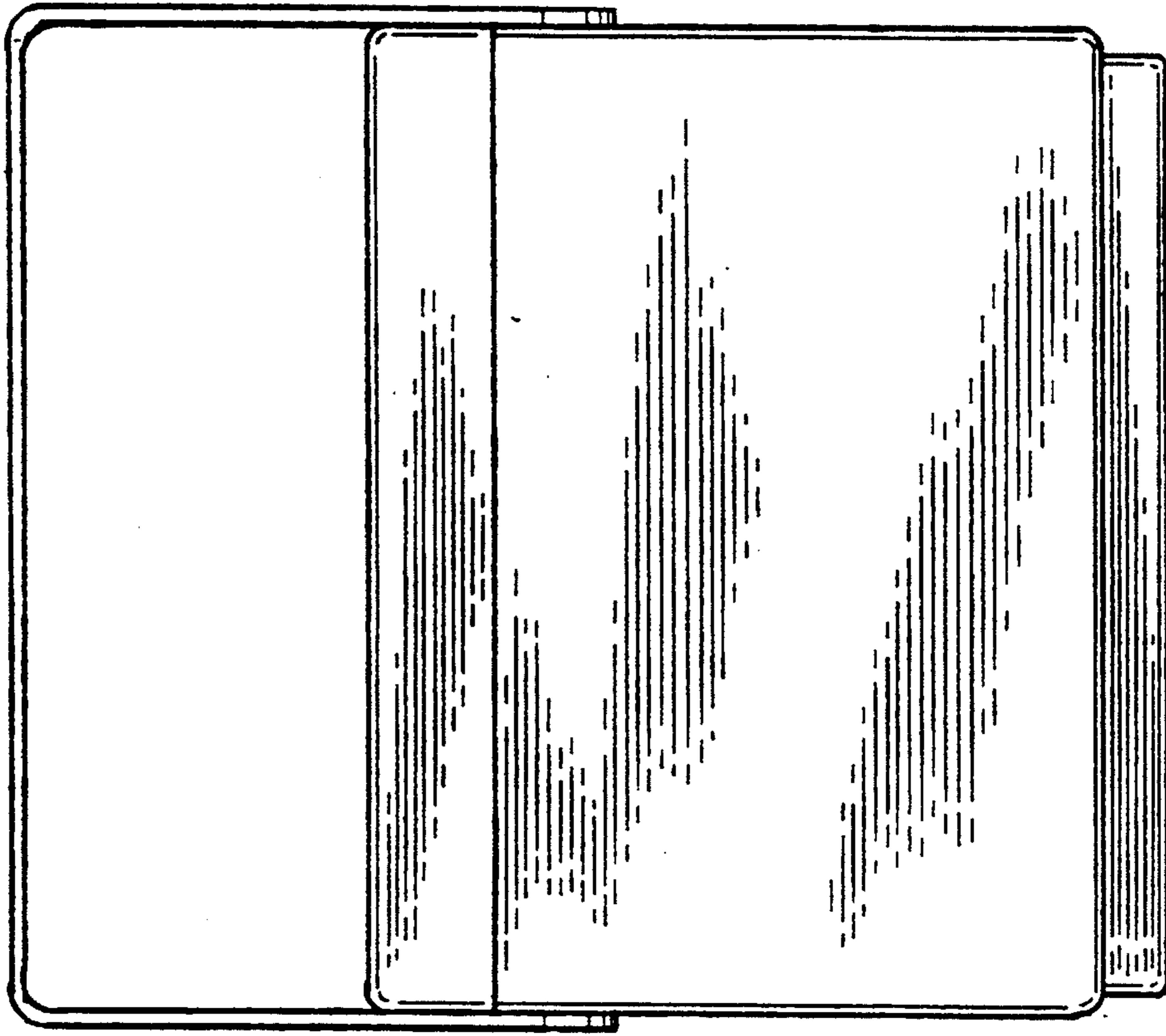


FIG. 3

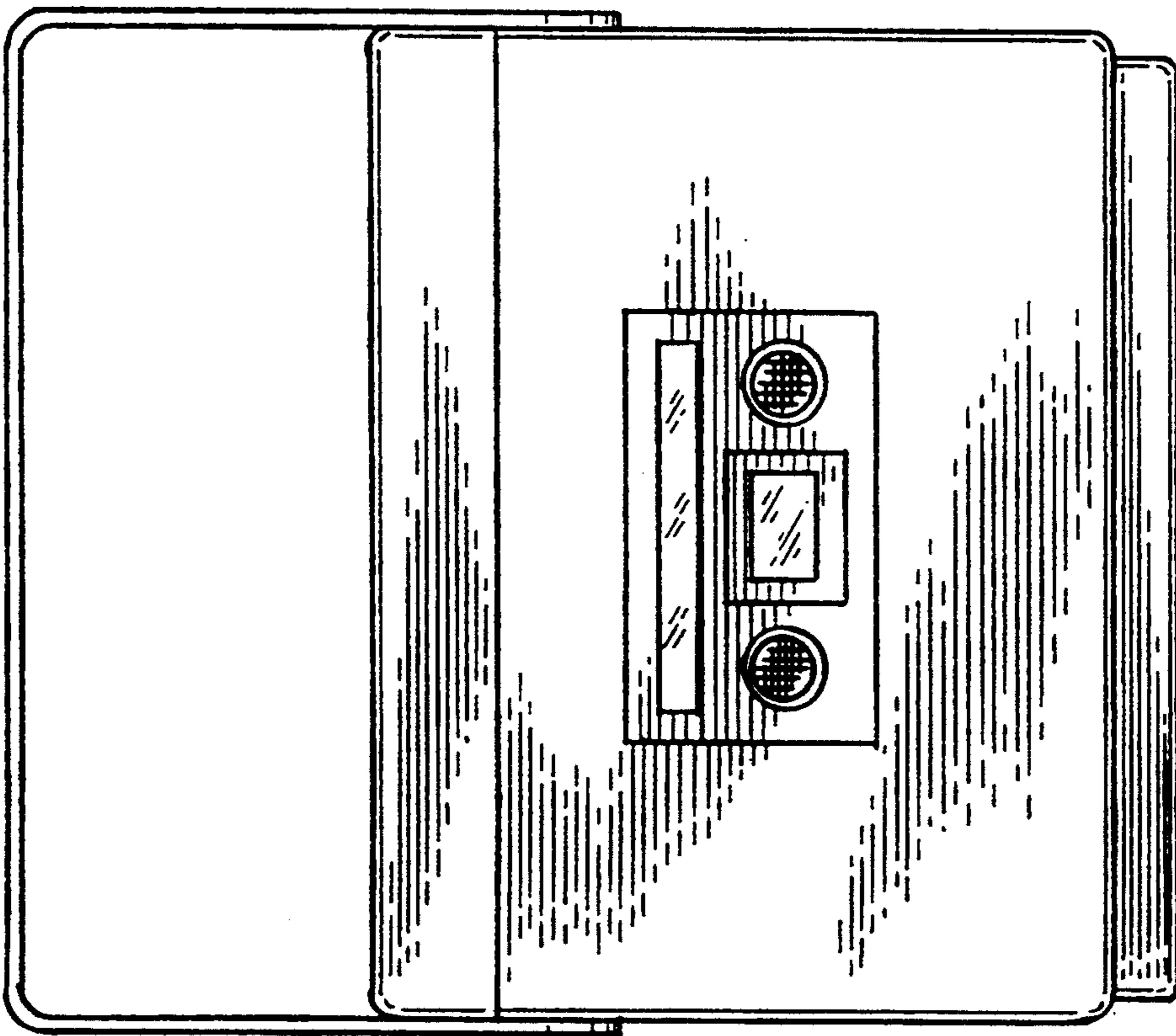


FIG. 2

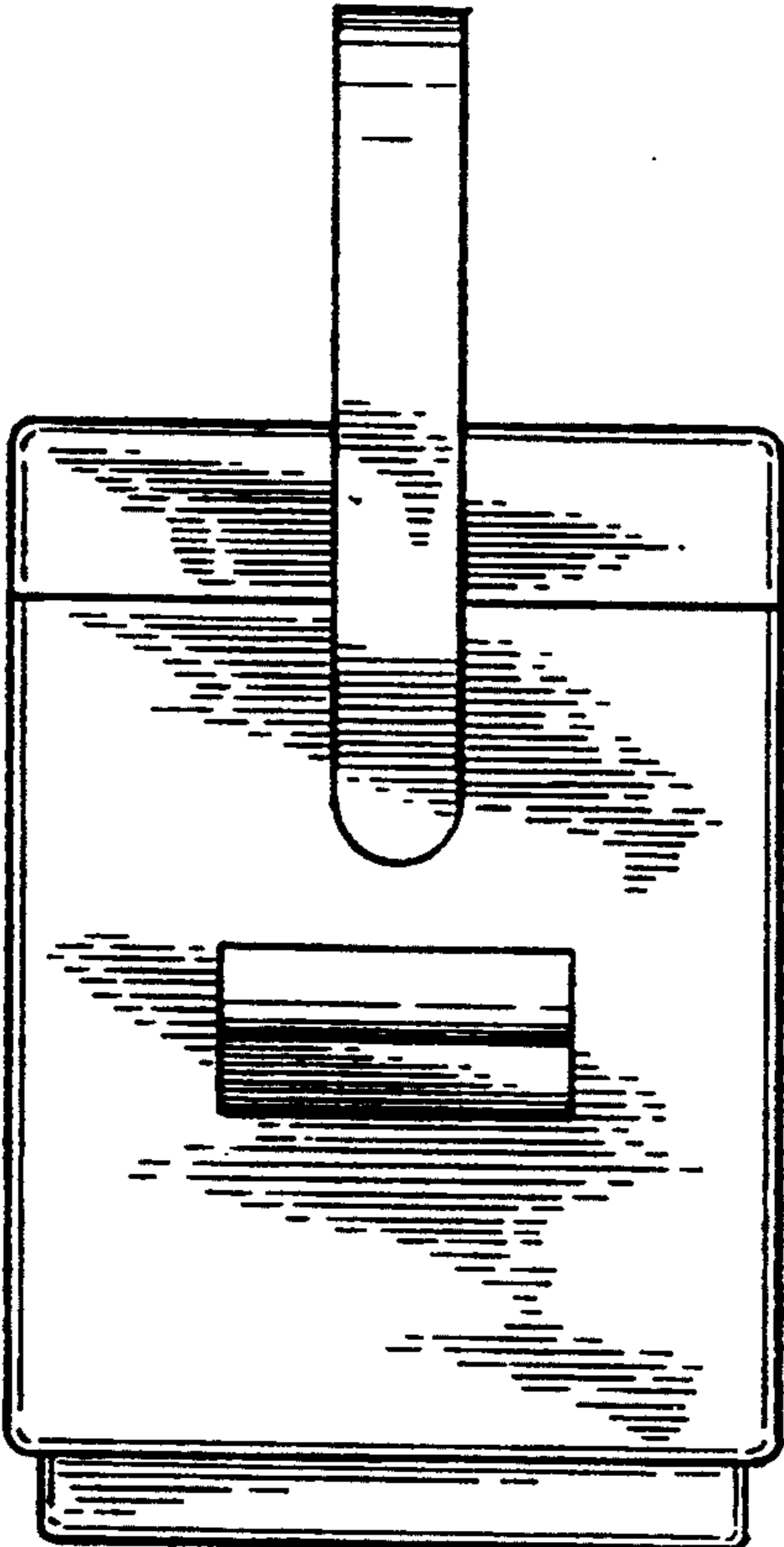


FIG. 4

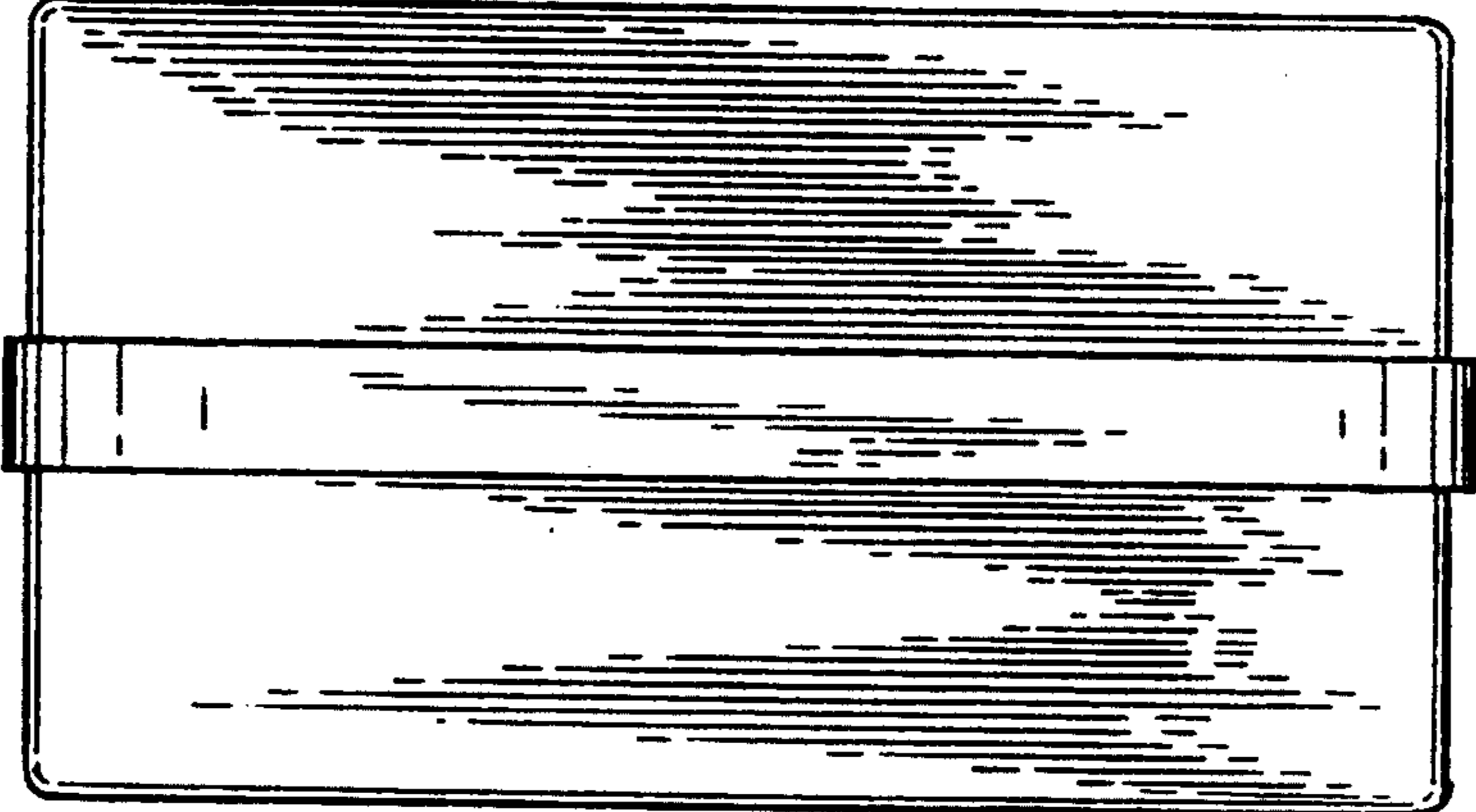


FIG. 5

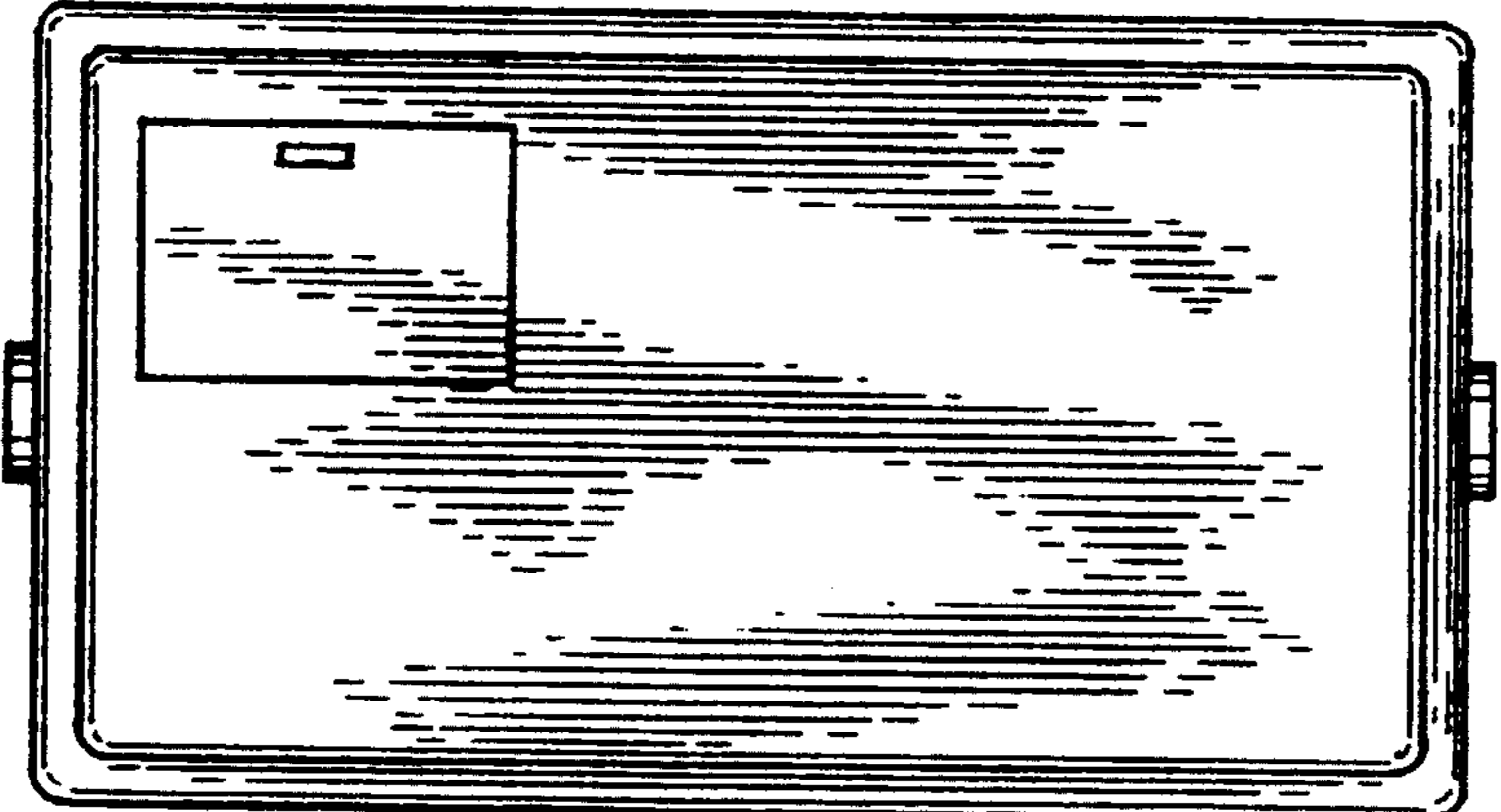


FIG. 6