



US00D349214S

United States Patent [19]

[11] Patent Number: **Des. 349,214**

Wedi

[45] Date of Patent: **** Aug. 2, 1994**

[54] **COOLER LID**

D. 235,195	5/1975	Soucy, Jr. et al.	D7/605 X
D. 296,065	6/1988	Tarozzi et al.	D7/605
D. 327,203	6/1992	Kahl	D7/605

[75] Inventor: **Heiner Wedi**, Emsdetten, Fed. Rep. of Germany

Primary Examiner—Terry A. Wallace
Attorney, Agent, or Firm—Tarolli, Sundheim & Covell

[73] Assignee: **WAECO-Wahning & Co. GmbH**, Emsdetten, Fed. Rep. of Germany

[57] **CLAIM**

[**] Term: **14 Years**

The ornamental design for cooler lid, as shown and described.

[21] Appl. No.: **3,444**

DESCRIPTION

[22] Filed: **Jan. 5, 1993**

[52] U.S. Cl. **D7/605**

[58] Field of Search **D7/605-608,**
D7/629; 62/457.1, 457.7, 371, 530; 220/412

FIG. 1 is a left, front perspective view of a cooler lid showing my new design, the cooler bottom is shown in broken lines for illustrative purposes only;

FIG. 2 is a top plan view thereof;

FIG. 3 is a bottom plan view thereof;

FIG. 4 is a left side elevational view thereof;

FIG. 5 is a right side elevational view thereof;

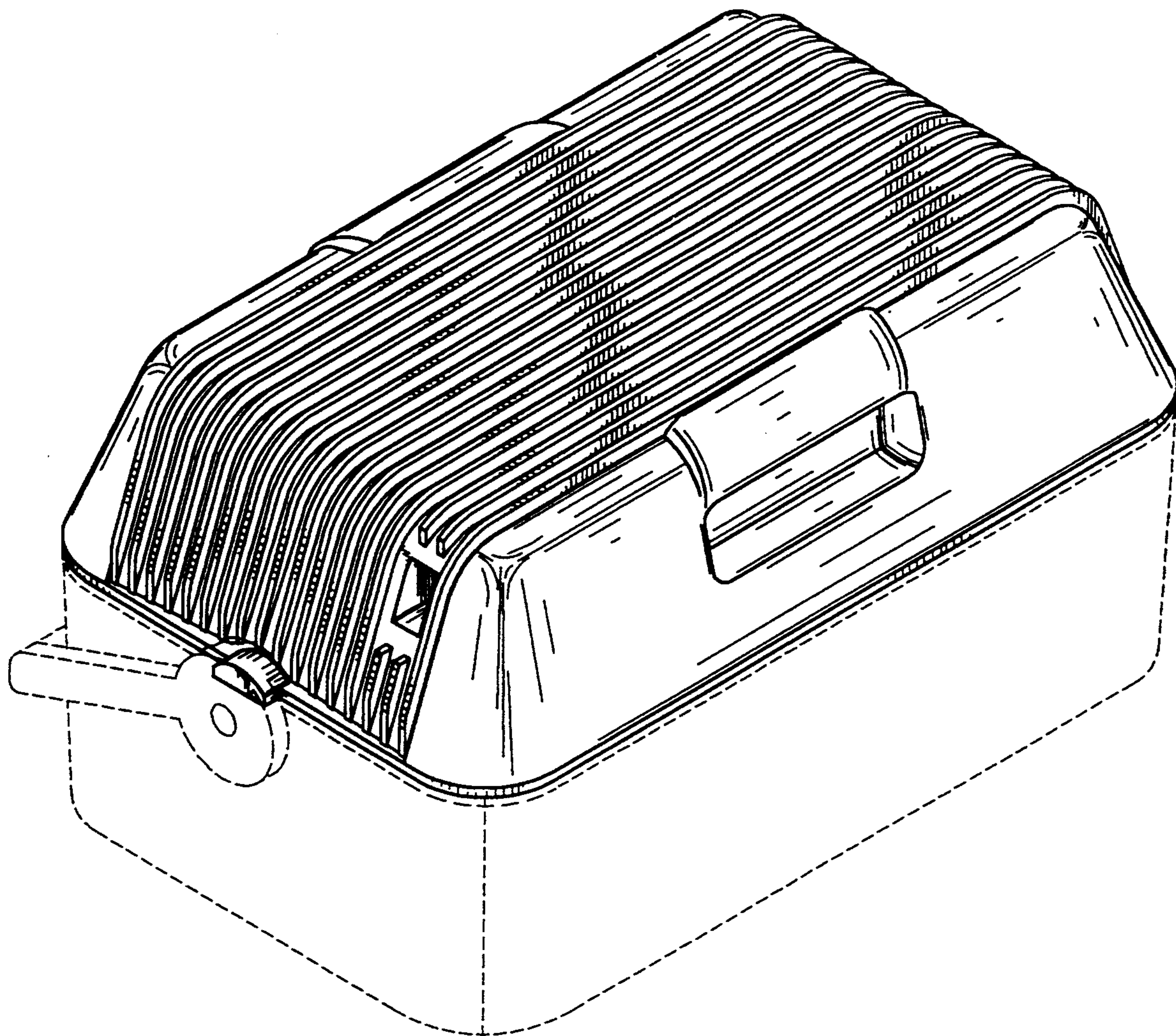
FIG. 6 is a front elevational view thereof; and,

FIG. 7 is a rear elevational view thereof.

[56] **References Cited**

U.S. PATENT DOCUMENTS

D. 220,202	3/1971	Brown et al.	D7/605
D. 232,798	9/1974	Roche	D7/605



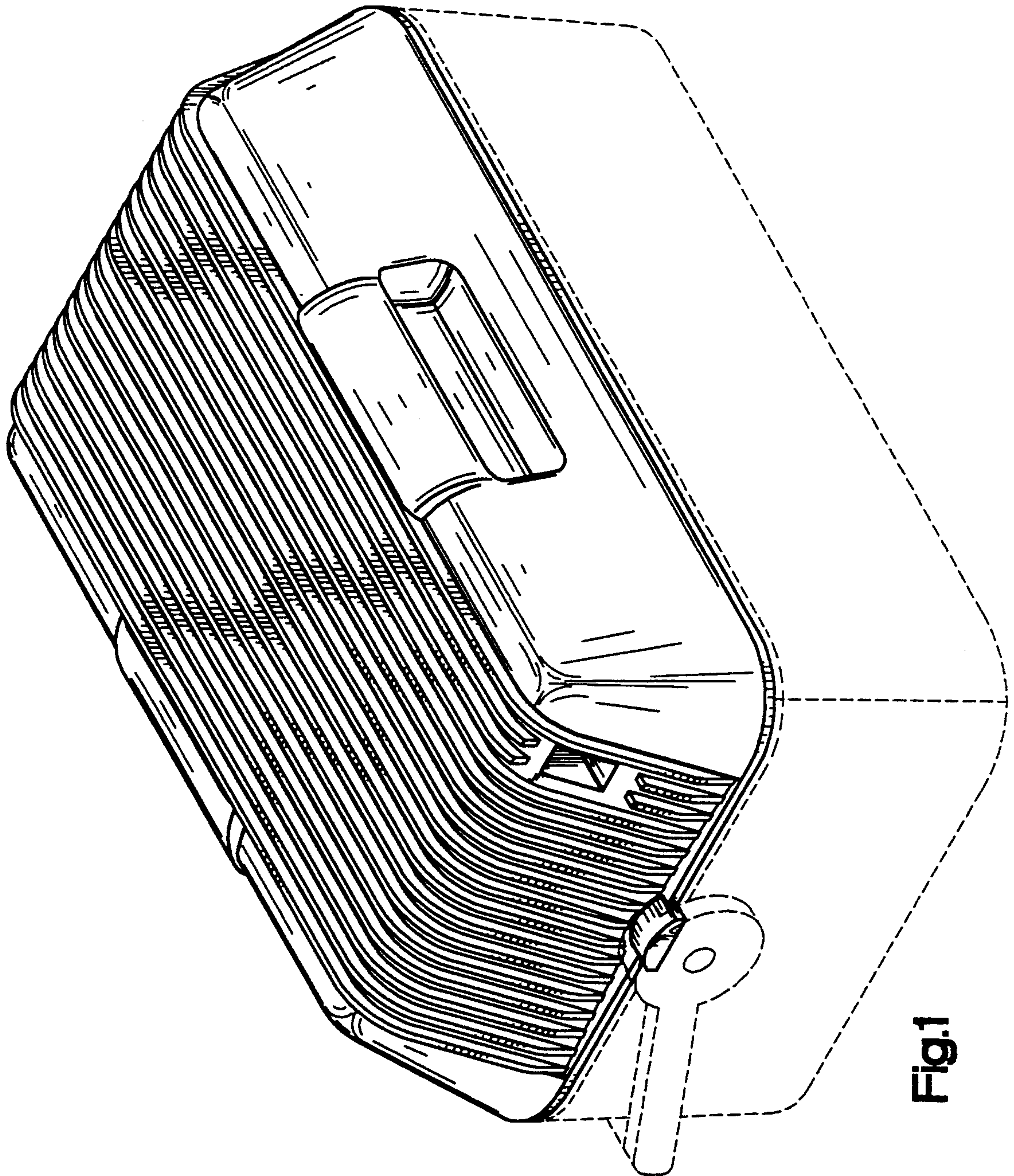


Fig.1

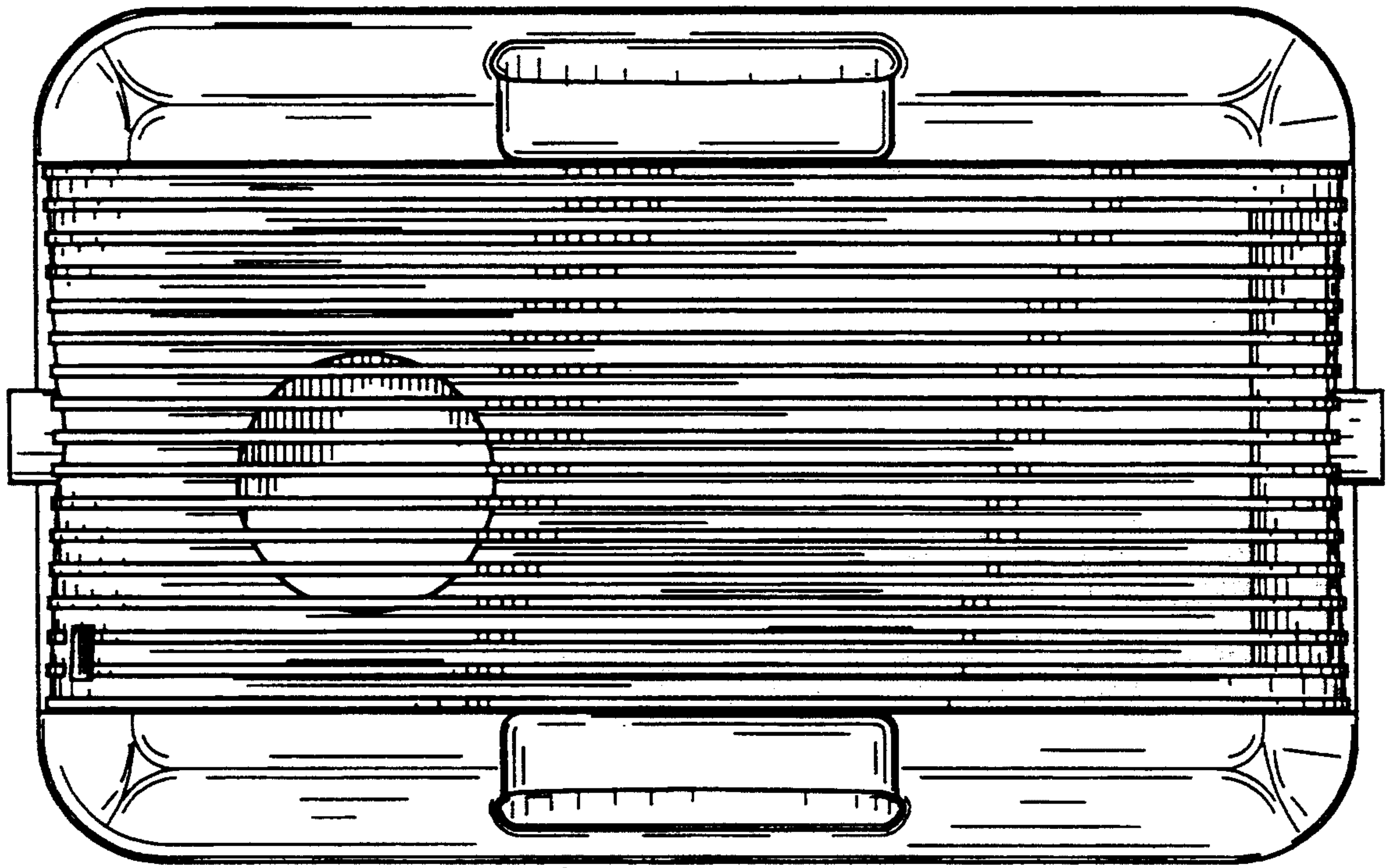


Fig.2

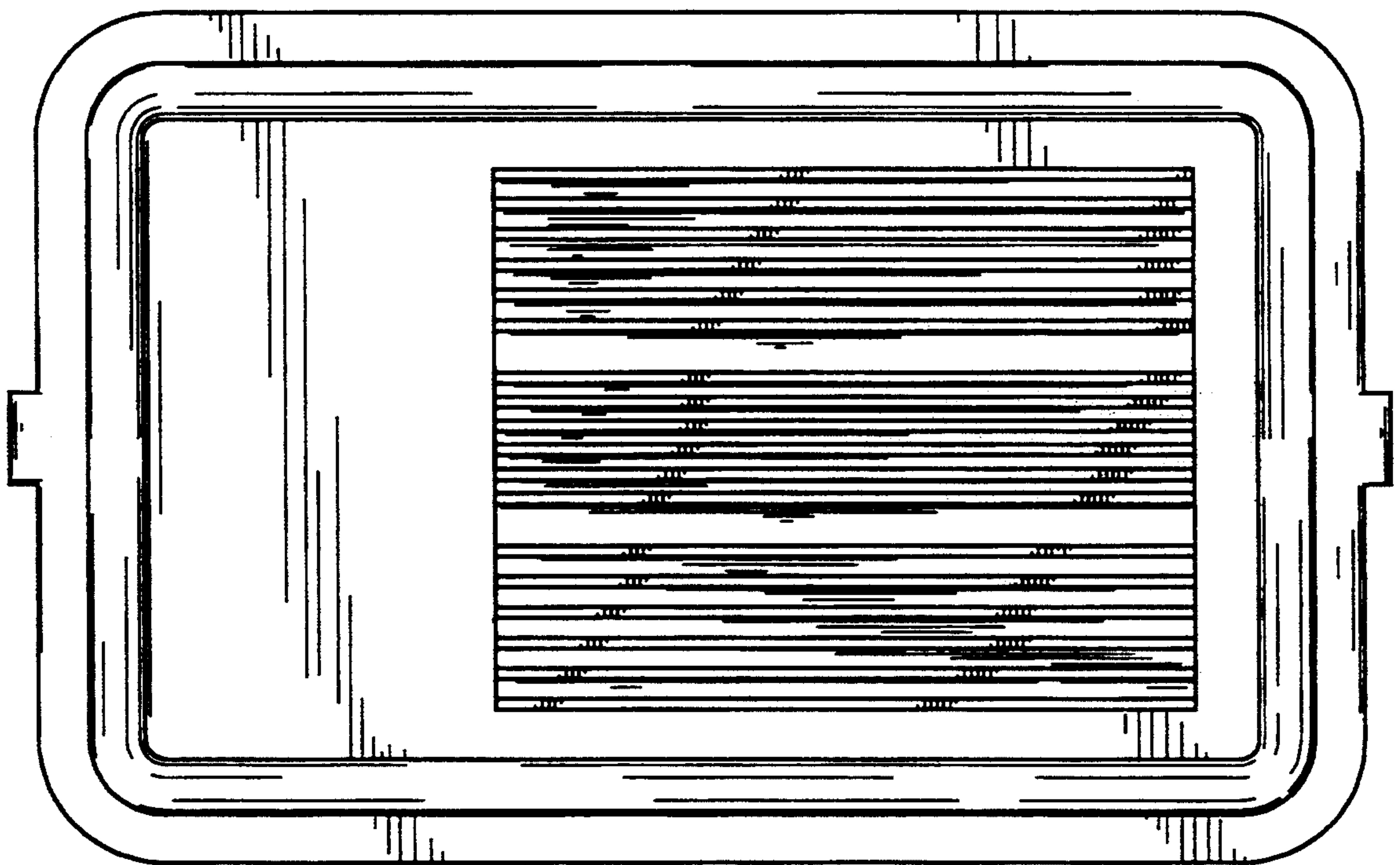


Fig.3

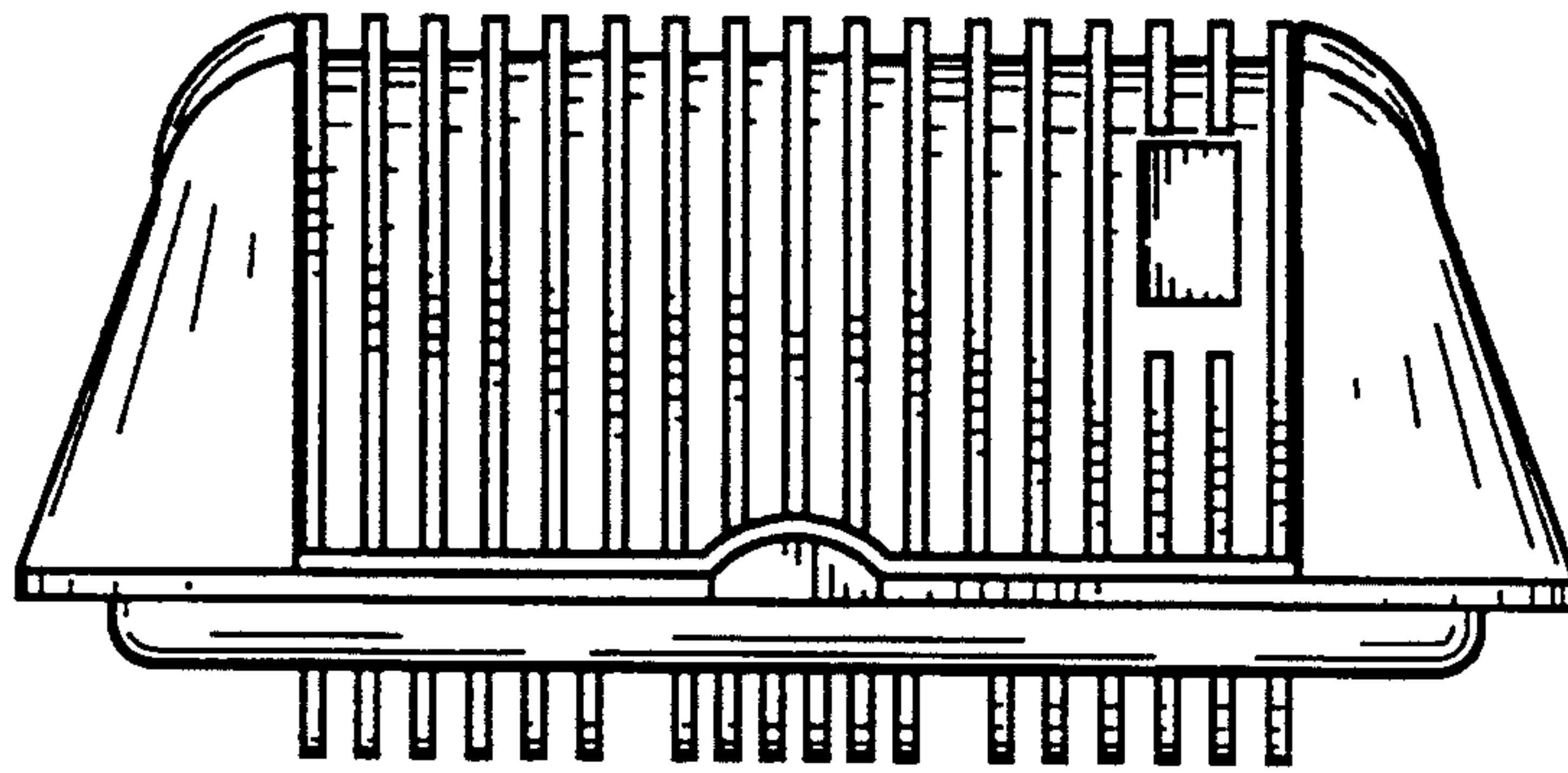


Fig.4

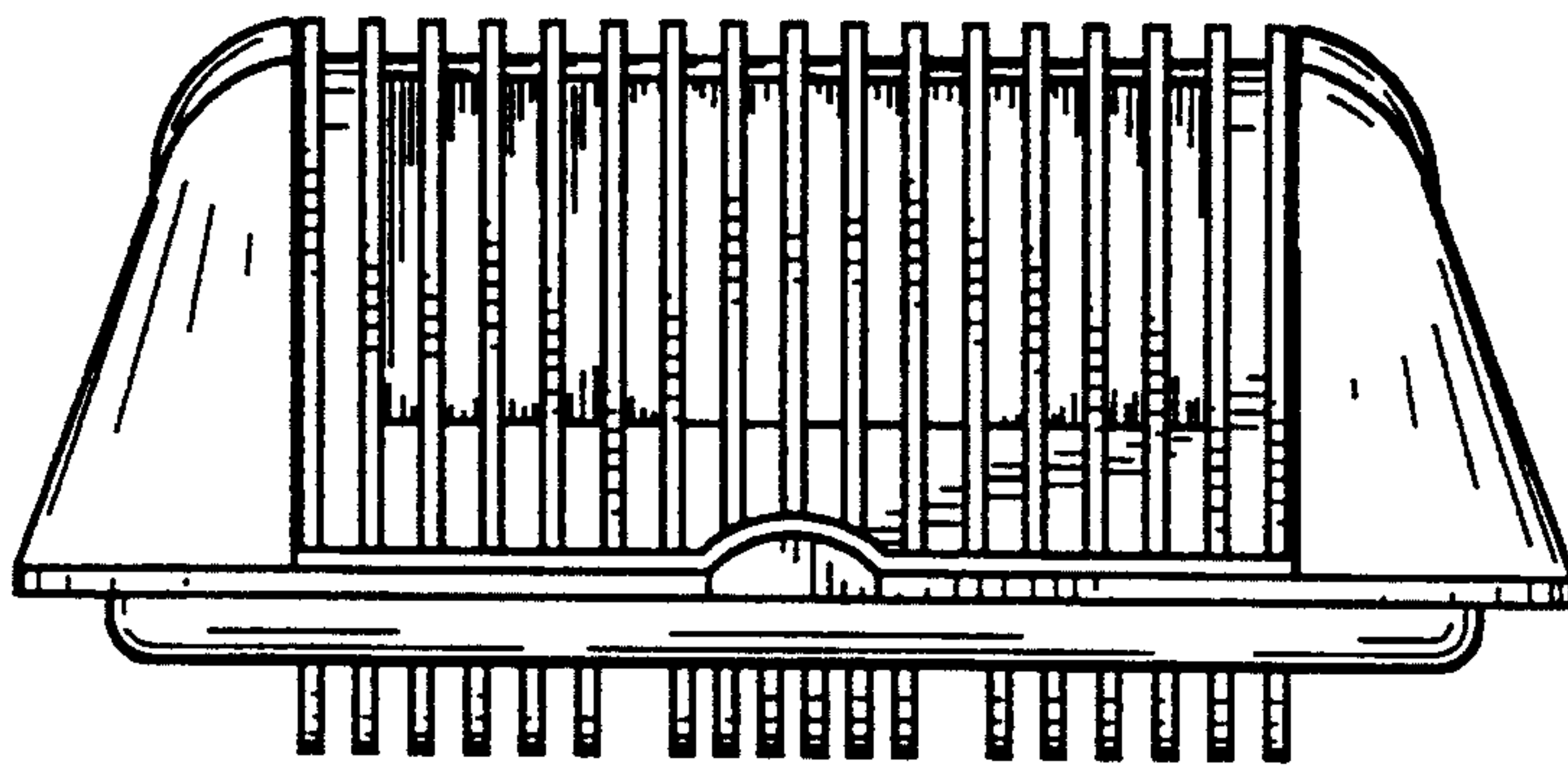


Fig.5

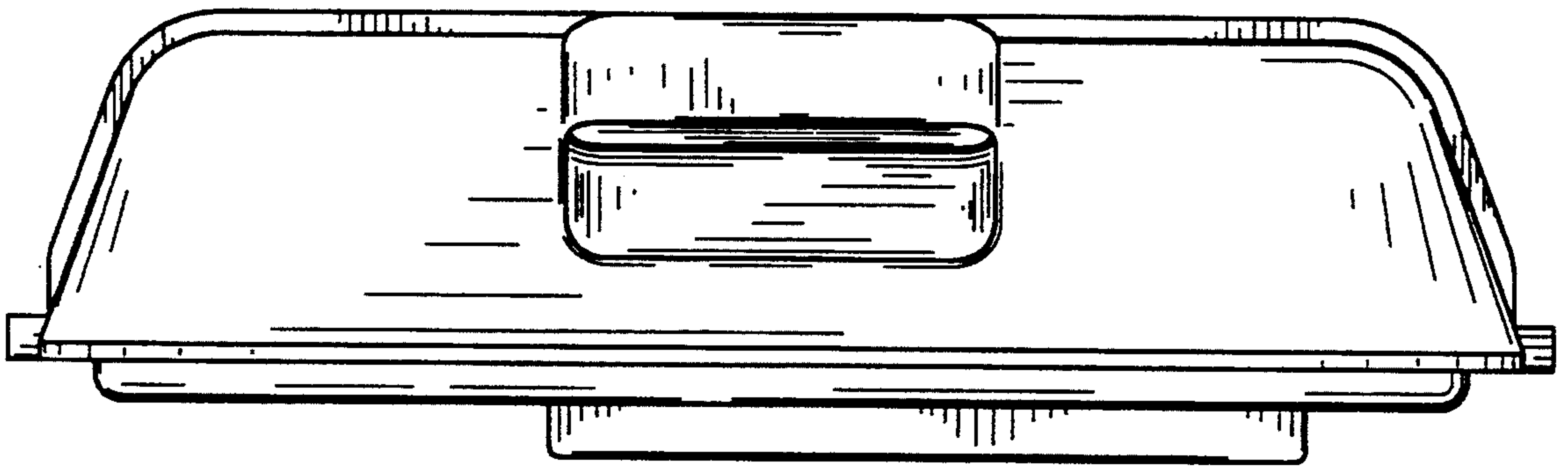


Fig.6

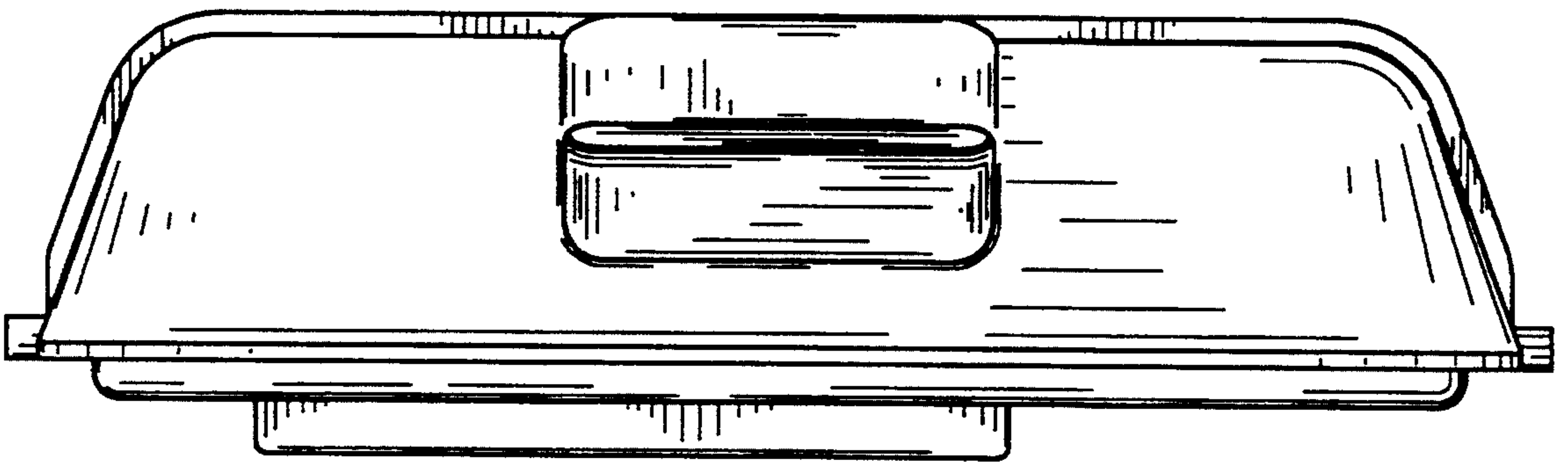


Fig.7