



US00D349212S

United States Patent [19] Lynch

[11] Patent Number: **Des. 349,212**

[45] Date of Patent: **** Aug. 2, 1994**

[54] **COMBINED CUP AND PLATE HOLDER**

[76] Inventor: **C. Richard Lynch**, 2435 S. Broadway #1, Denver, Colo. 80210

[**] Term: **14 Years**

[21] Appl. No.: **6,011**

[22] Filed: **Mar. 17, 1993**

[52] U.S. Cl. **D7/505; D7/619**

[58] Field of Search **D7/396.1, 505, 507, D7/549, 550-553, 701-708, 619-625; 206/549, 557, 562; 211/71, 74; 220/23.83, 574; 248/310, 311.2**

3,179,320 4/1965 Ward .
3,376,974 4/1968 Hilliard .
3,941,286 3/1976 Perkinson .
4,516,685 5/1985 French .
4,732,274 3/1988 Bouton .
4,989,742 2/1991 Powell .

Primary Examiner—Terry A. Wallace
Attorney, Agent, or Firm—Jay K. Malkin

[57] CLAIM

The ornamental design for a combined cup and plate holder, as shown.

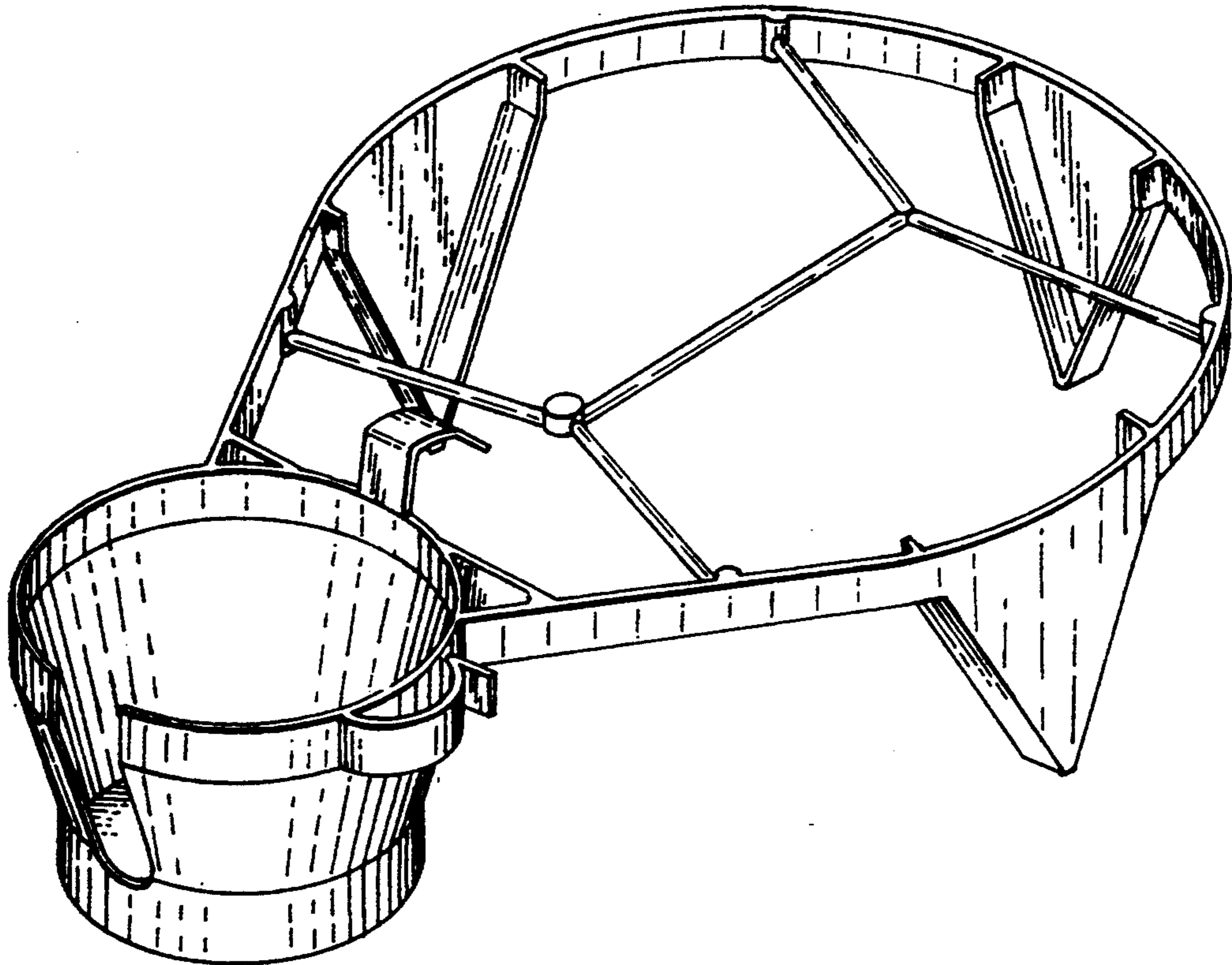
DESCRIPTION

FIG. 1 is a right side perspective view of a combined cup and plate holder showing my new design; FIG. 2 is a top plan view thereof; FIG. 3 is a right side elevational view thereof; FIG. 4 is a left side elevational view thereof; FIG. 5 is a front elevational view thereof; FIG. 6 is a rear elevational view thereof; and, FIG. 7 is a bottom plan view thereof.

[56] References Cited

U.S. PATENT DOCUMENTS

- D. 307,529 5/1990 Baetens .
- D. 332,552 1/1993 Lynch .
- 2,920,804 1/1960 Minton .
- 3,115,251 12/1963 Farrell .



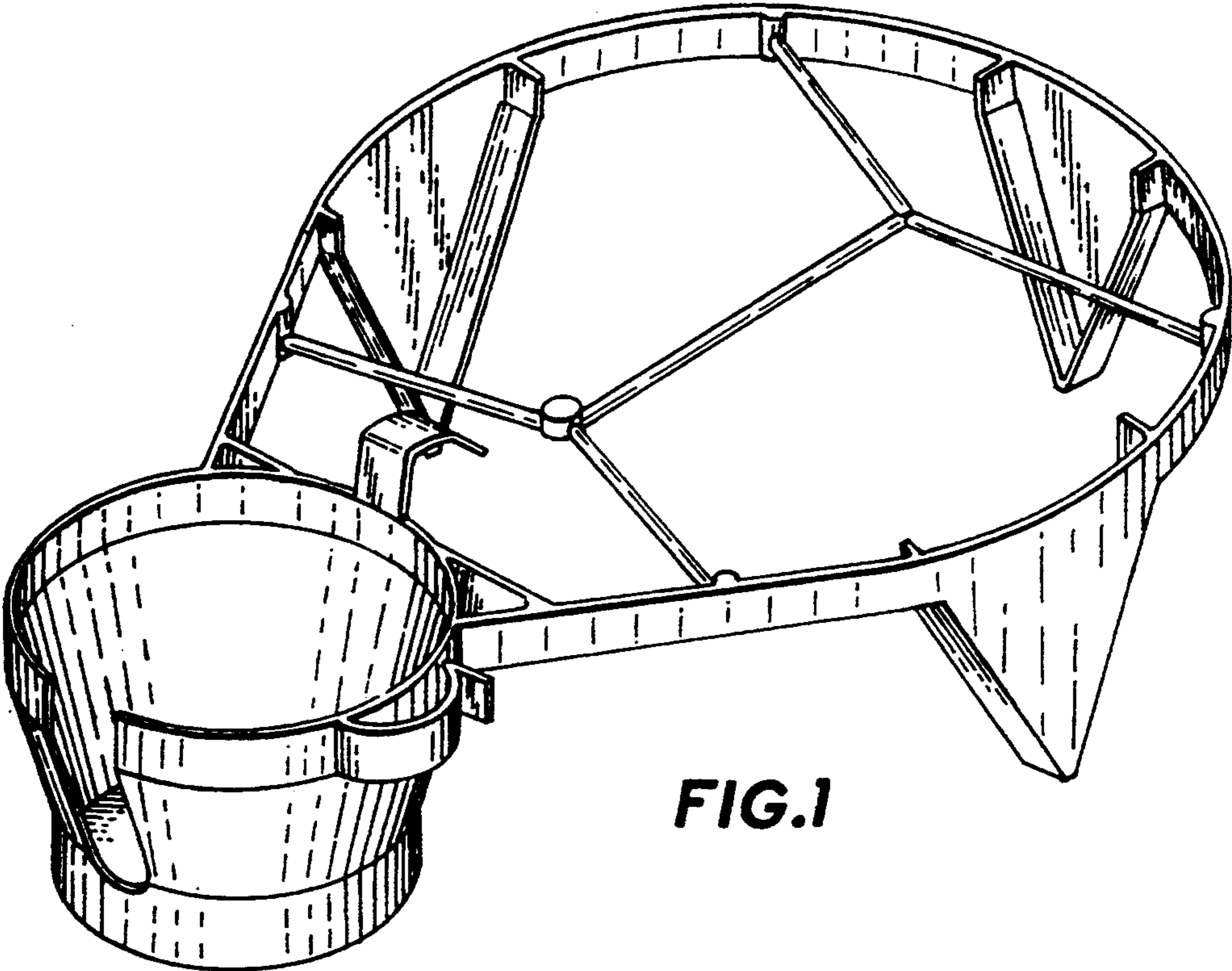


FIG. 1

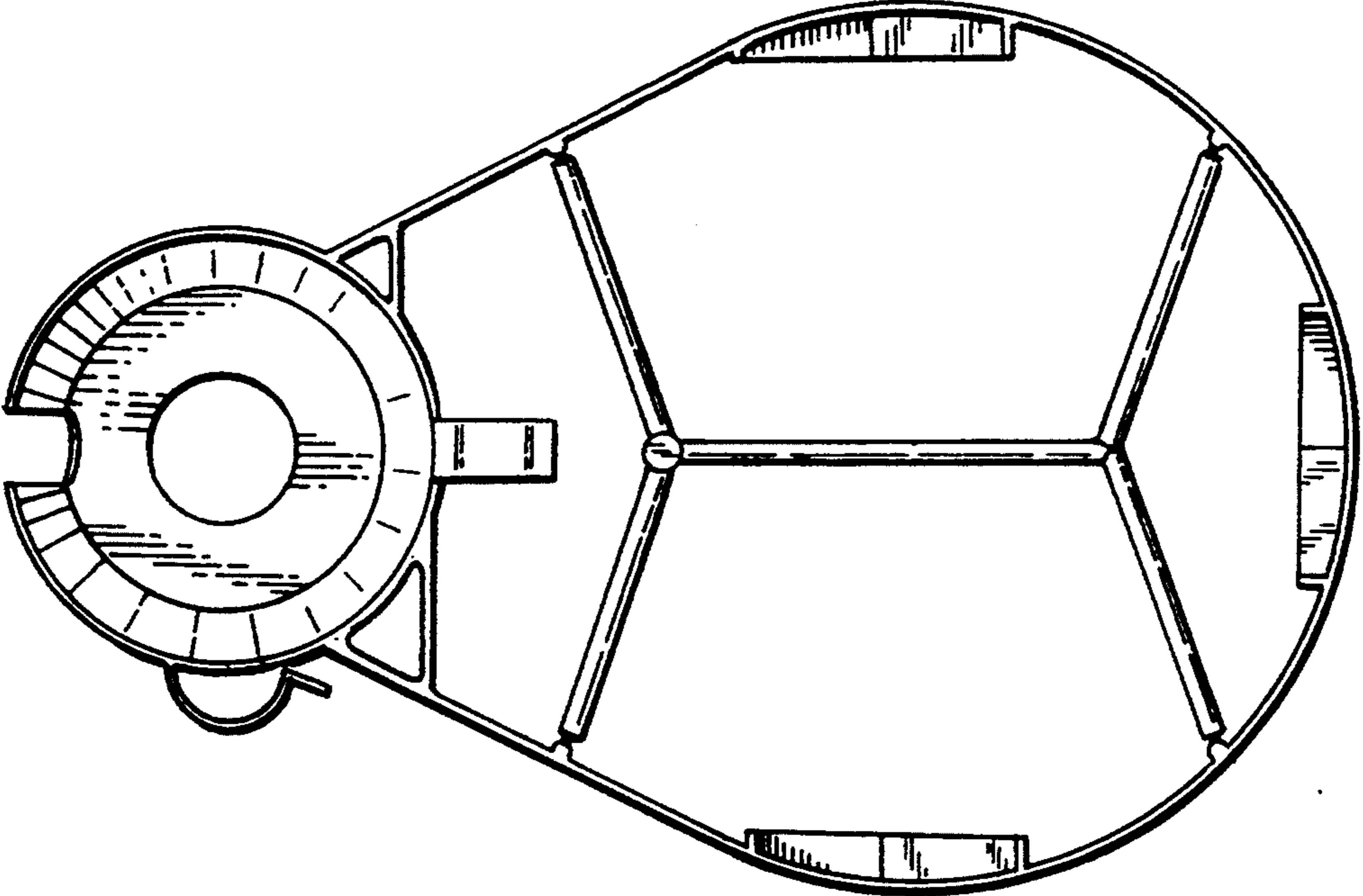


FIG. 2

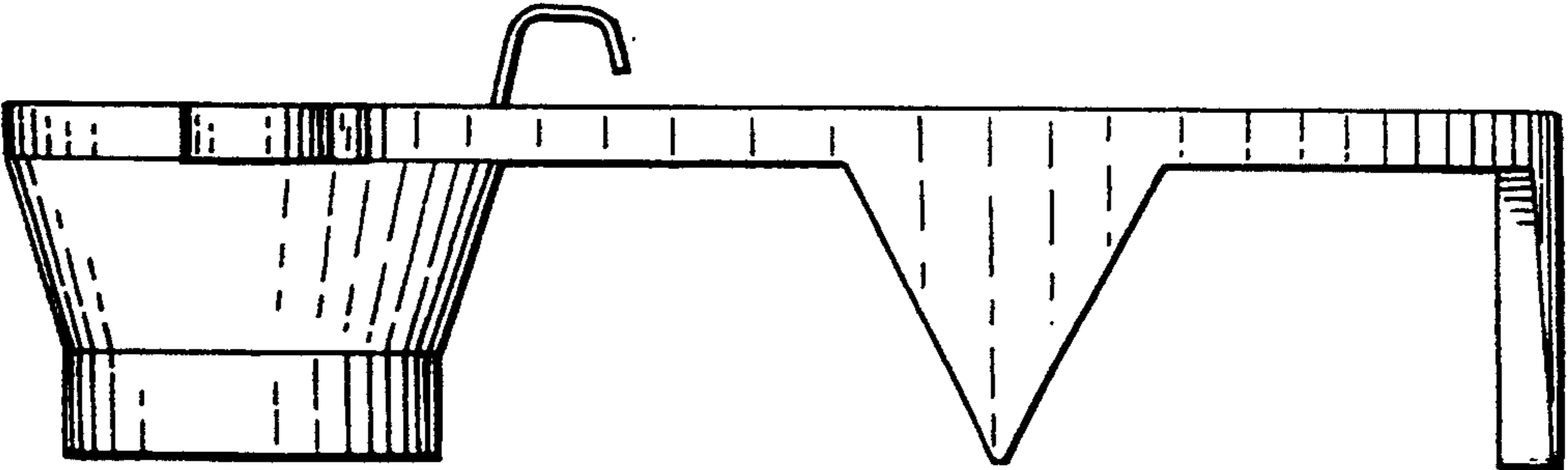


FIG. 3

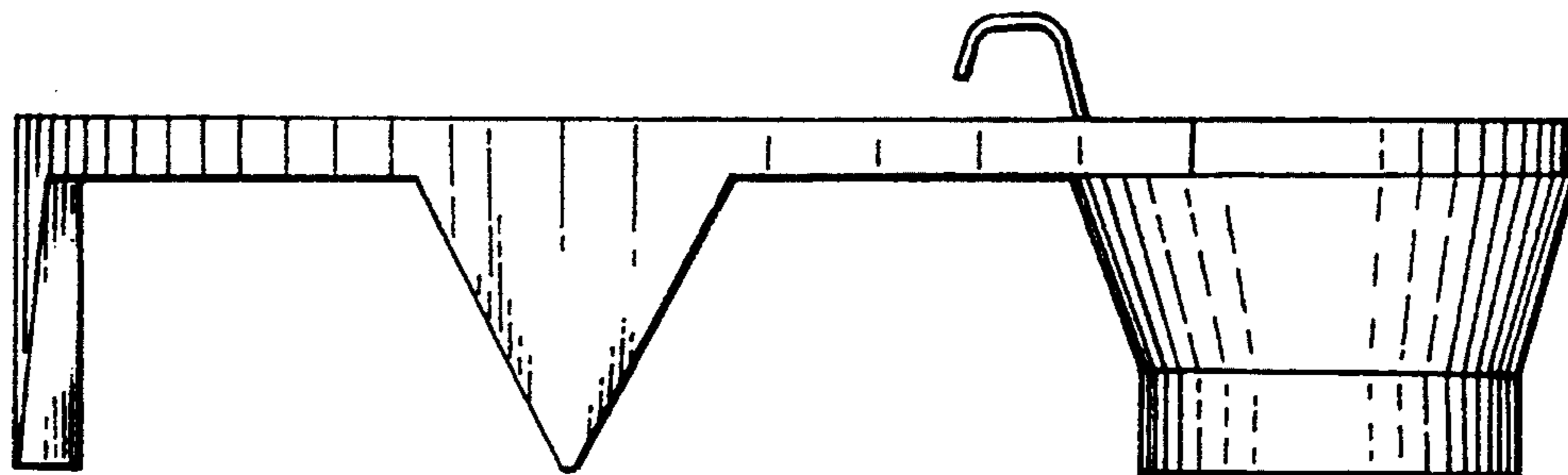


FIG. 4

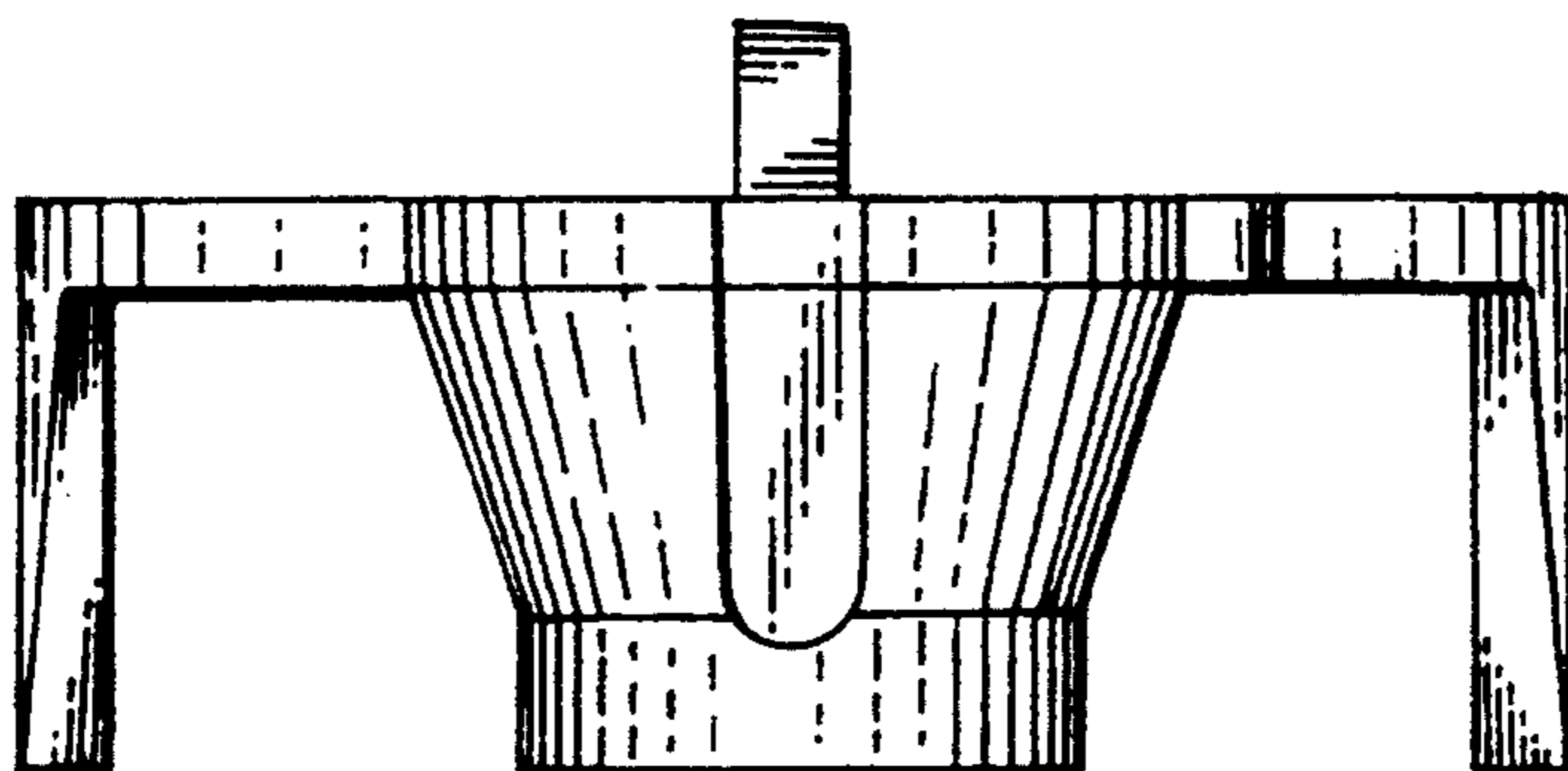


FIG. 5

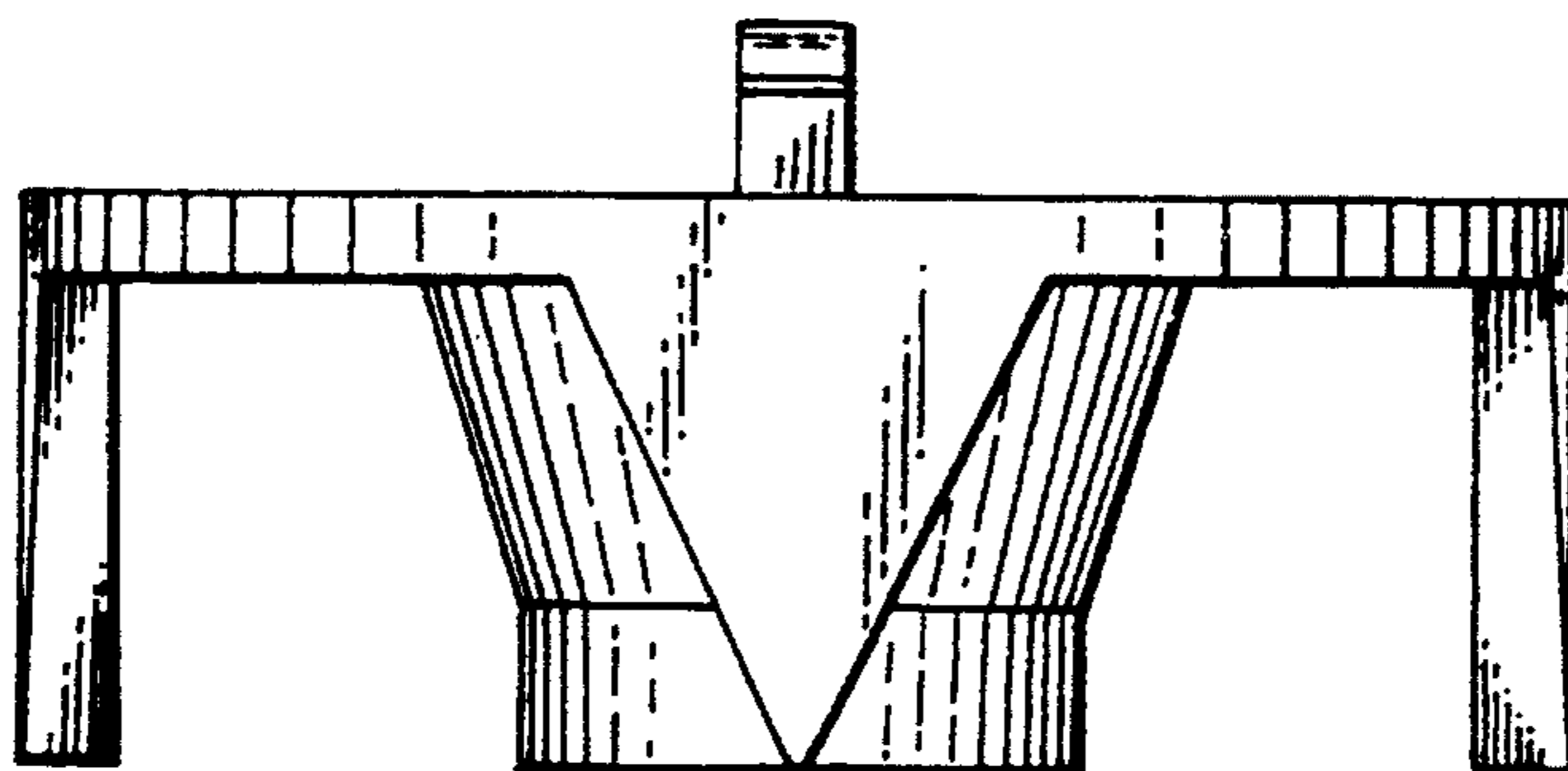


FIG. 6

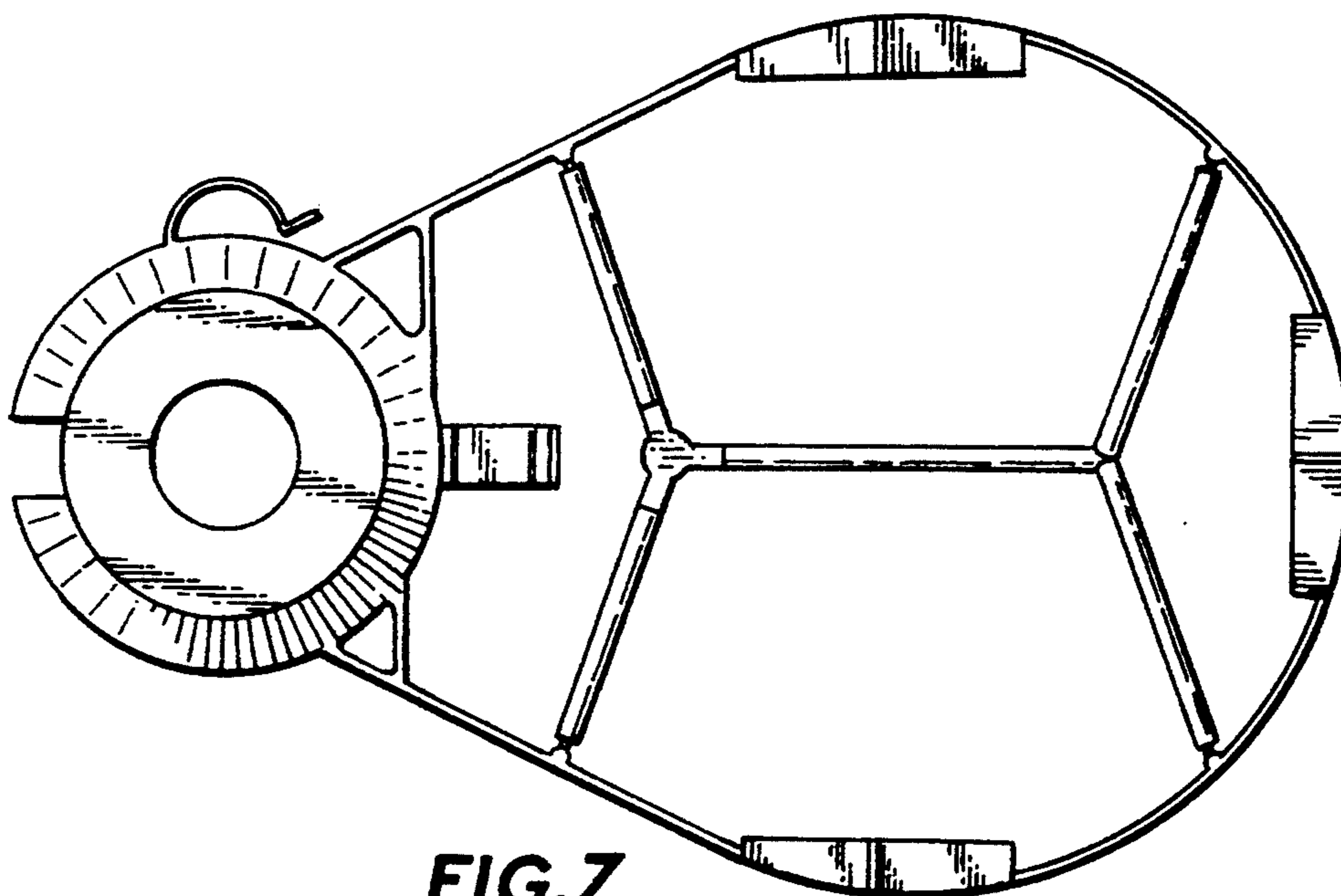


FIG. 7