



US00D349206S

# United States Patent [19]

Fischer et al.

[11] Patent Number: **Des. 349,206**

[45] Date of Patent: **\*\* Aug. 2, 1994**

[54] **SHOWER SOAP HOLDER**

D. 335,232 5/1993 Whitlock ..... D6/525

[76] Inventors: **Dan L. Fischer; Rickie C. Fischer,**  
both of 14690 E. Evans Ave.,  
Aurora, Colo. 80014

[\*\*] Term: **14 Years**

[21] Appl. No.: **3,408**

[22] Filed: **Jan. 8, 1993**

[52] U.S. Cl. .... **D6/536**

[58] Field of Search ..... D6/536, 540; 248/309.1;  
206/77.1; 211/87-88

[56] **References Cited**

### U.S. PATENT DOCUMENTS

- D. 229,138 11/1973 Collins ..... D6/536
- D. 279,640 7/1985 Walbeck ..... D6/536
- D. 285,996 10/1986 Bussell ..... D6/536
- D. 327,596 7/1992 Emery ..... D6/540 X

### OTHER PUBLICATIONS

House Beautiful (Oct. 1964) p. 77, Soap Dish.

*Primary Examiner*—Brian N. Vinson  
*Attorney, Agent, or Firm*—S. Michael Bender

### [57] CLAIM

The ornamental design for a shower soap holder, as shown and described.

### DESCRIPTION

FIG. 1 is a front elevational view of the shower soap holder showing my new design;  
 FIG. 2 is a rear elevational view thereof;  
 FIG. 3 is a left side elevational view thereof;  
 FIG. 4 is a right side elevational view thereof;  
 FIG. 5 is a top plan view thereof; and,  
 FIG. 6 is a bottom plan view thereof.

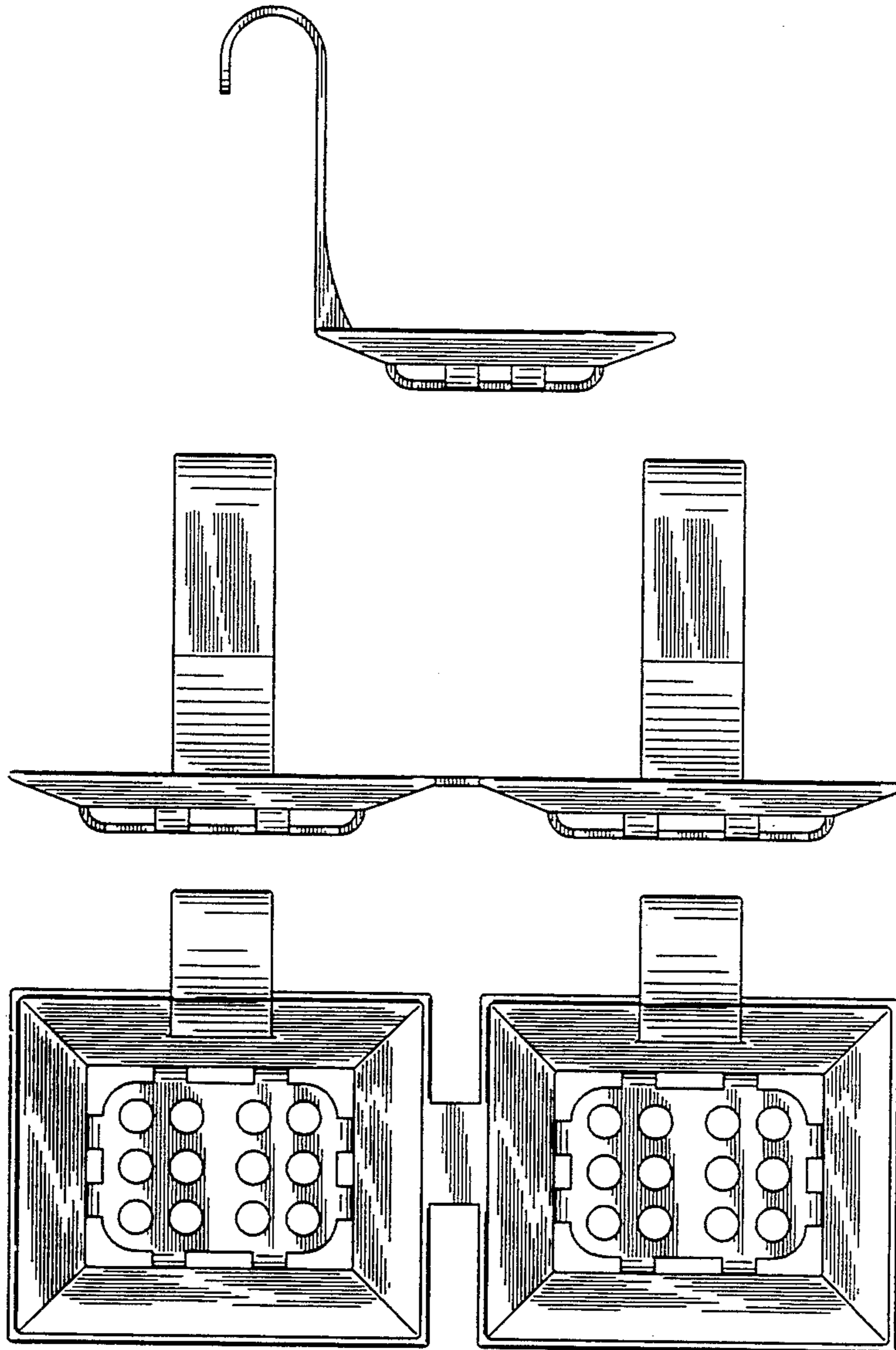


FIG. 1

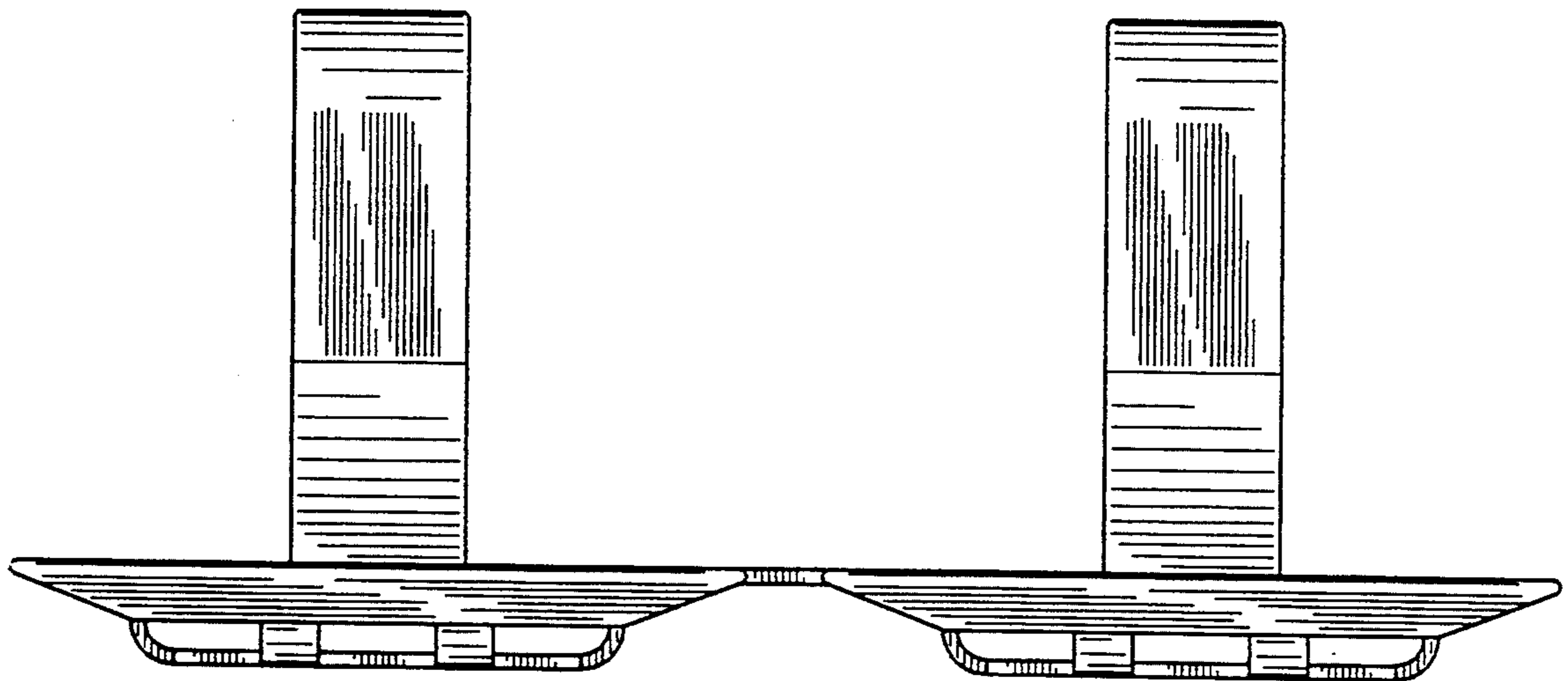


FIG. 2

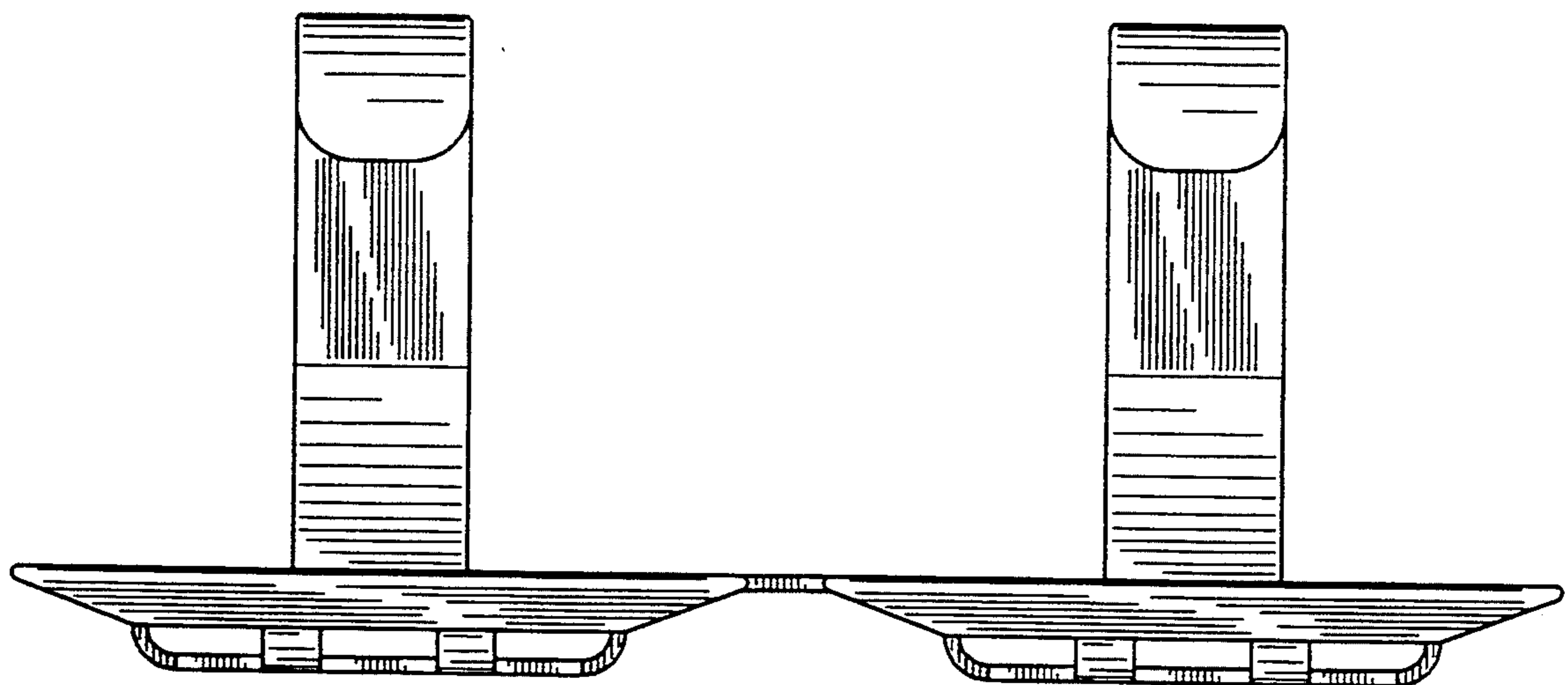


FIG. 3

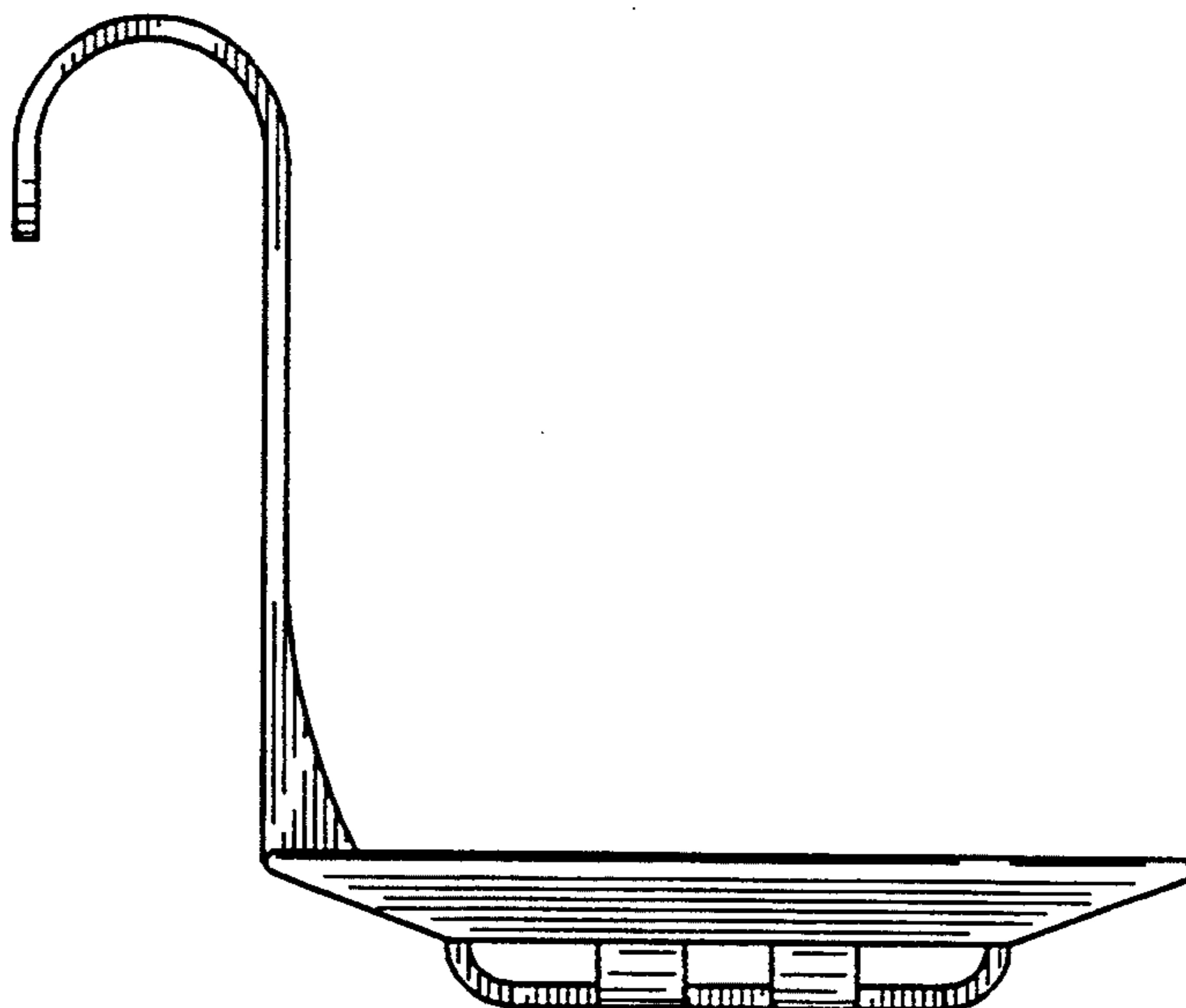


FIG. 4

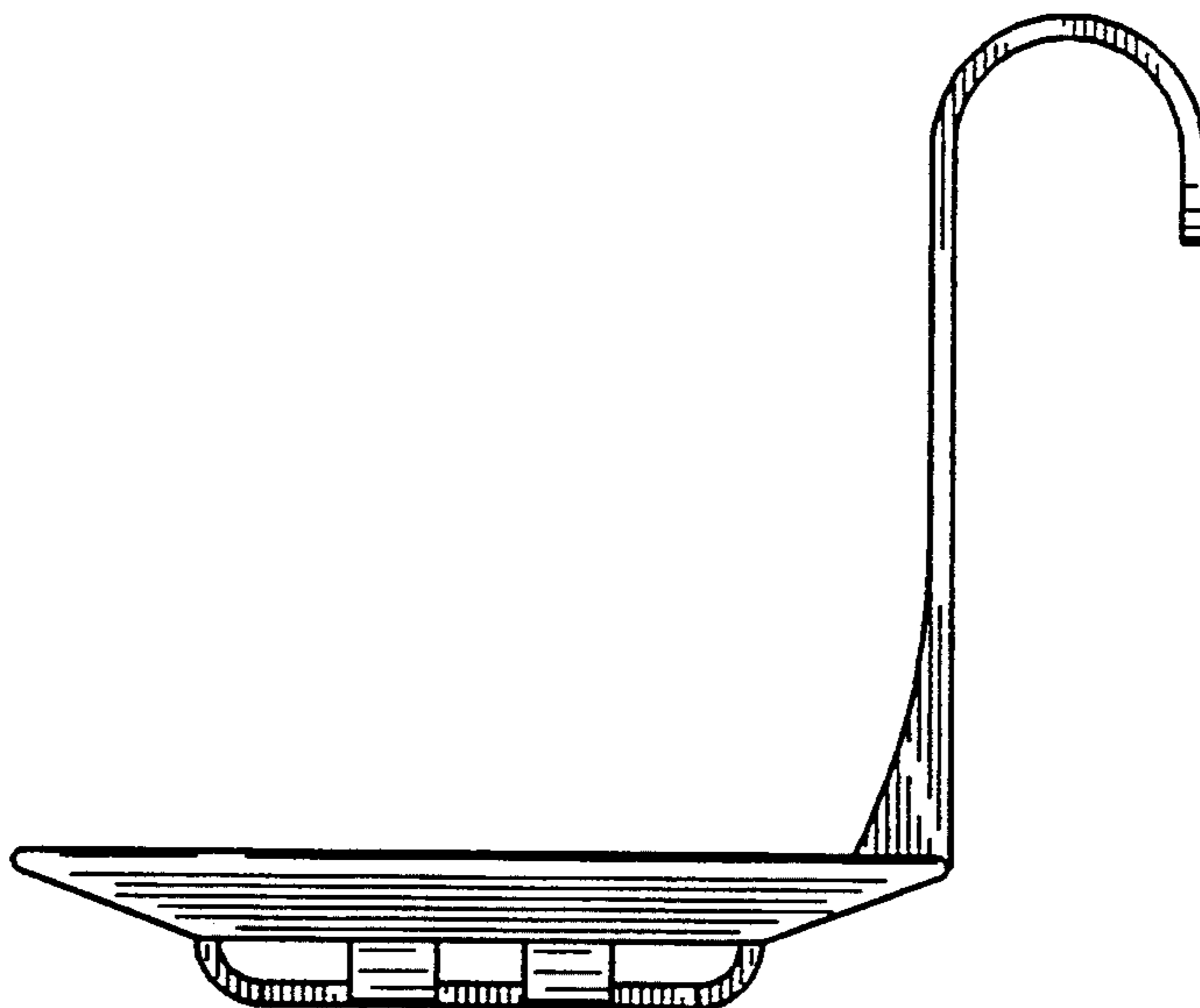


FIG. 5

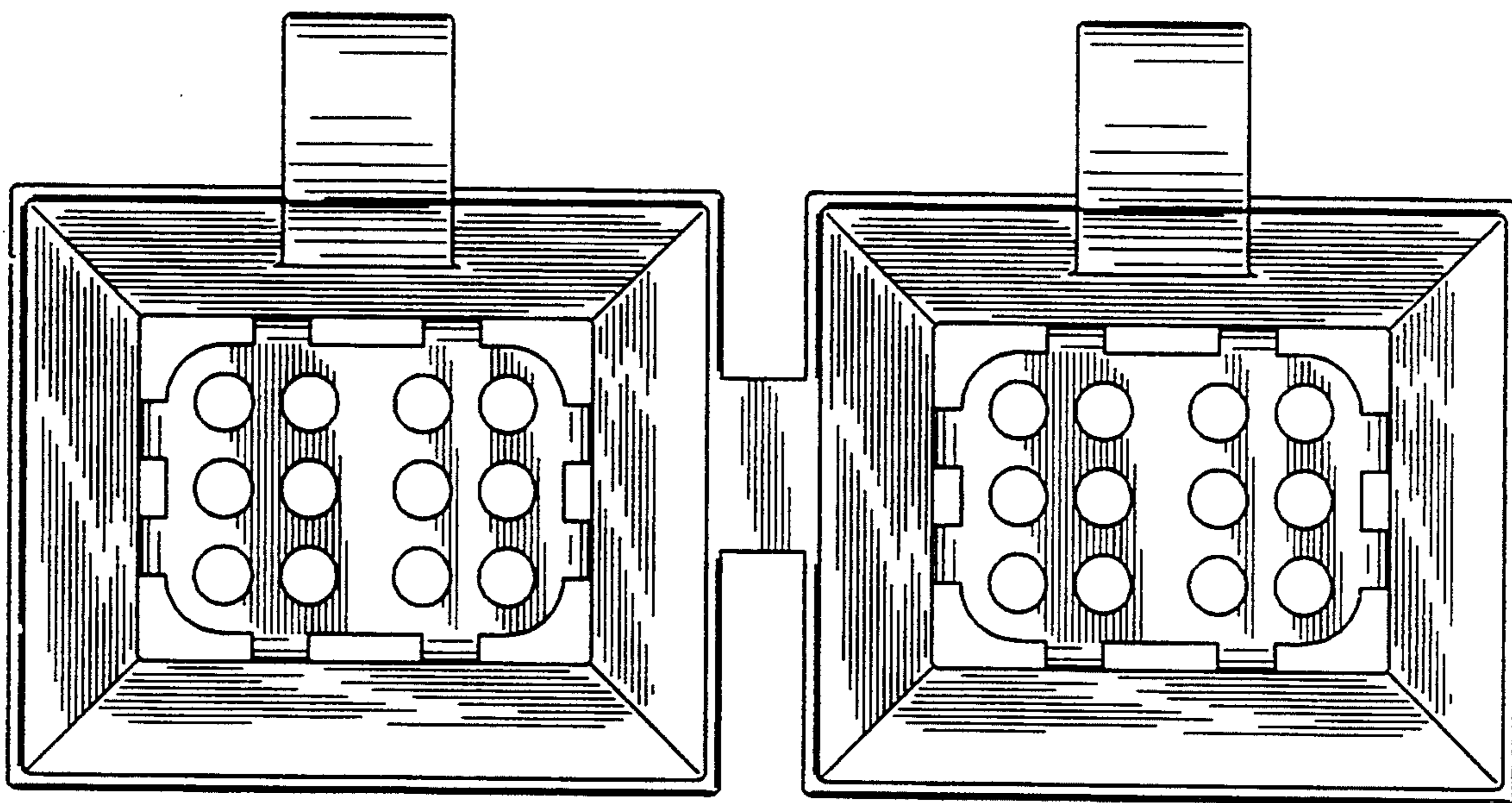


FIG. 6

