



US00D349204S

United States Patent [19]

[11] Patent Number: **Des. 349,204**

Lefebvre

[45] Date of Patent: **** Aug. 2, 1994**

[54] **JEWELRY DISPLAY**

4,541,534 9/1985 Strauss 211/13
5,011,027 4/1991 Van Slett 248/902

[75] Inventor: **Joseph G. Lefebvre**, Barrington, R.I.

[73] Assignee: **International Packaging Corporation**, Pawtucket, R.I.

Primary Examiner—Alan P. Douglas
Assistant Examiner—S. Snapp
Attorney, Agent, or Firm—Salter & Michaelson

[**] Term: **14 Years**

[57] **CLAIM**

[21] Appl. No.: **9,791**

The ornamental design for a jewelry display, as shown.

[22] Filed: **Jun. 21, 1993**

DESCRIPTION

[52] U.S. Cl. **D6/476**

[58] Field of Search D6/465, 466, 467, 468,
D6/469, 470, 449; D3/34; 211/13, 22, 27, 126,
133; 248/902; D16/129

FIG. 1 is a perspective view of a jewelry display showing my new design;

FIG. 2 is a top plan view thereof;

FIG. 3 is a bottom plan view thereof;

FIG. 4 is a left side elevational view thereof;

FIG. 5 is a right side elevational view thereof;

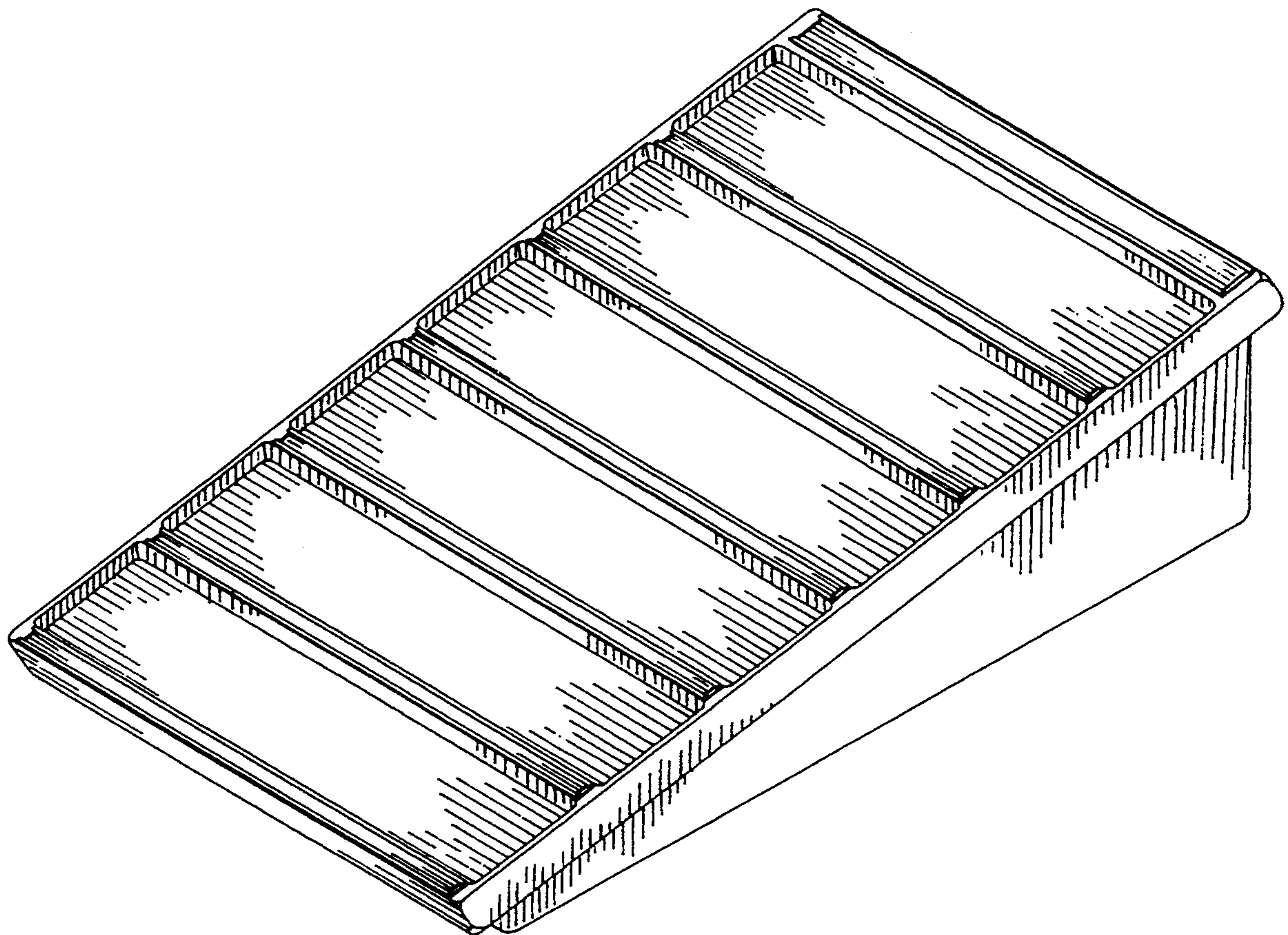
FIG. 6 is a front end view thereof; and,

FIG. 7 is a rear end view thereof.

[56] **References Cited**

U.S. PATENT DOCUMENTS

4,204,602 5/1980 Dunchock 211/13



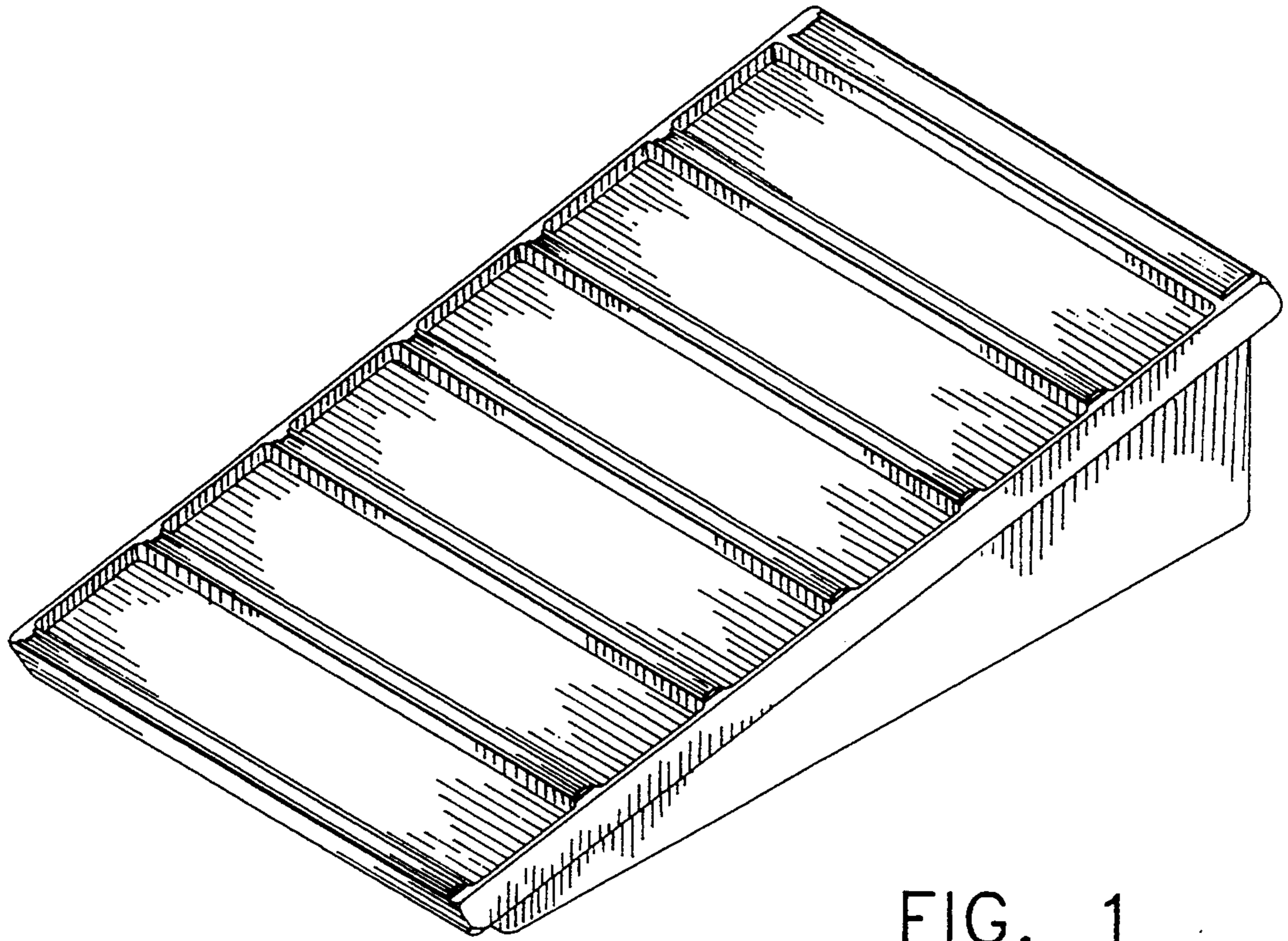


FIG. 1

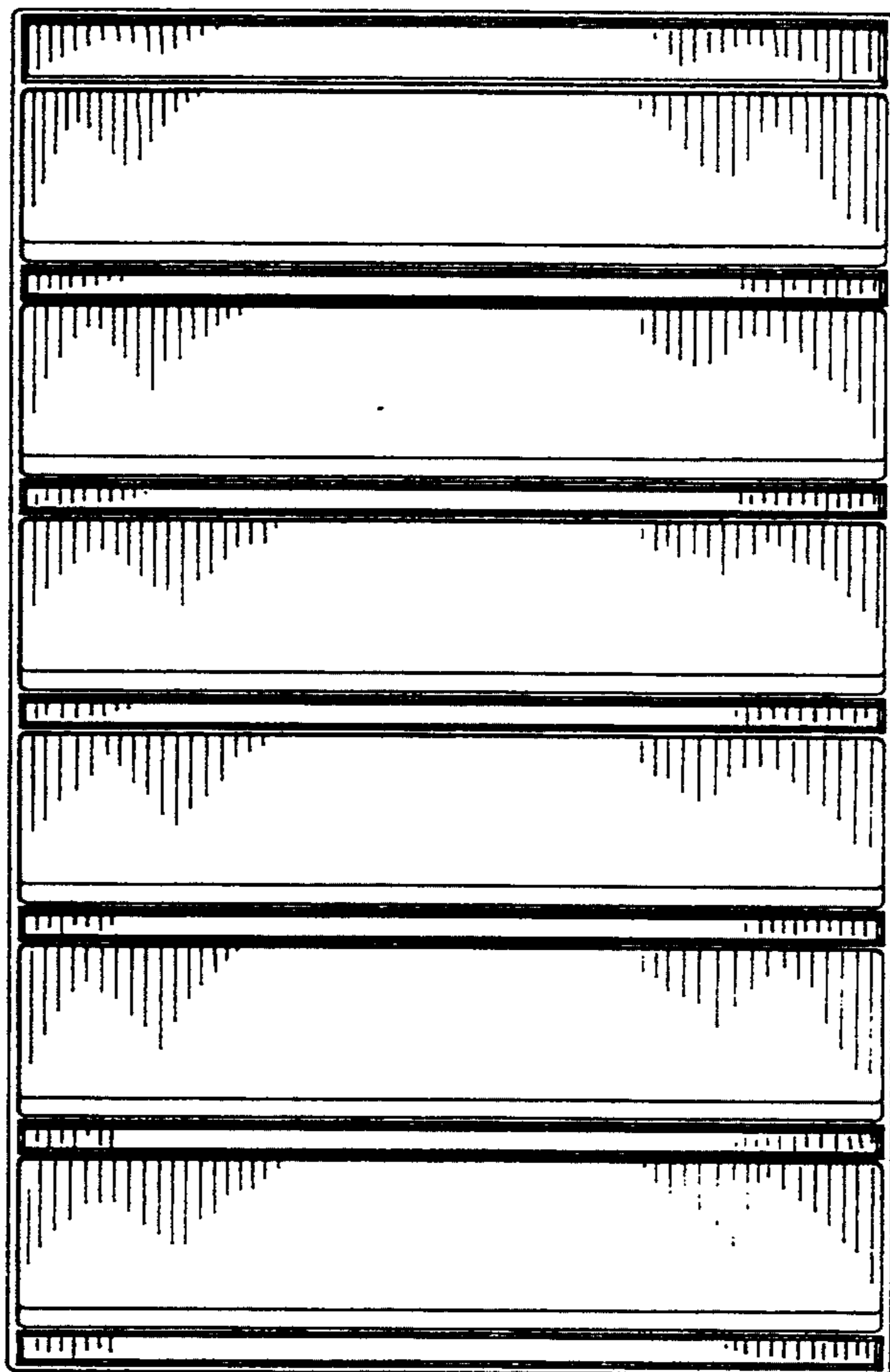


FIG. 2

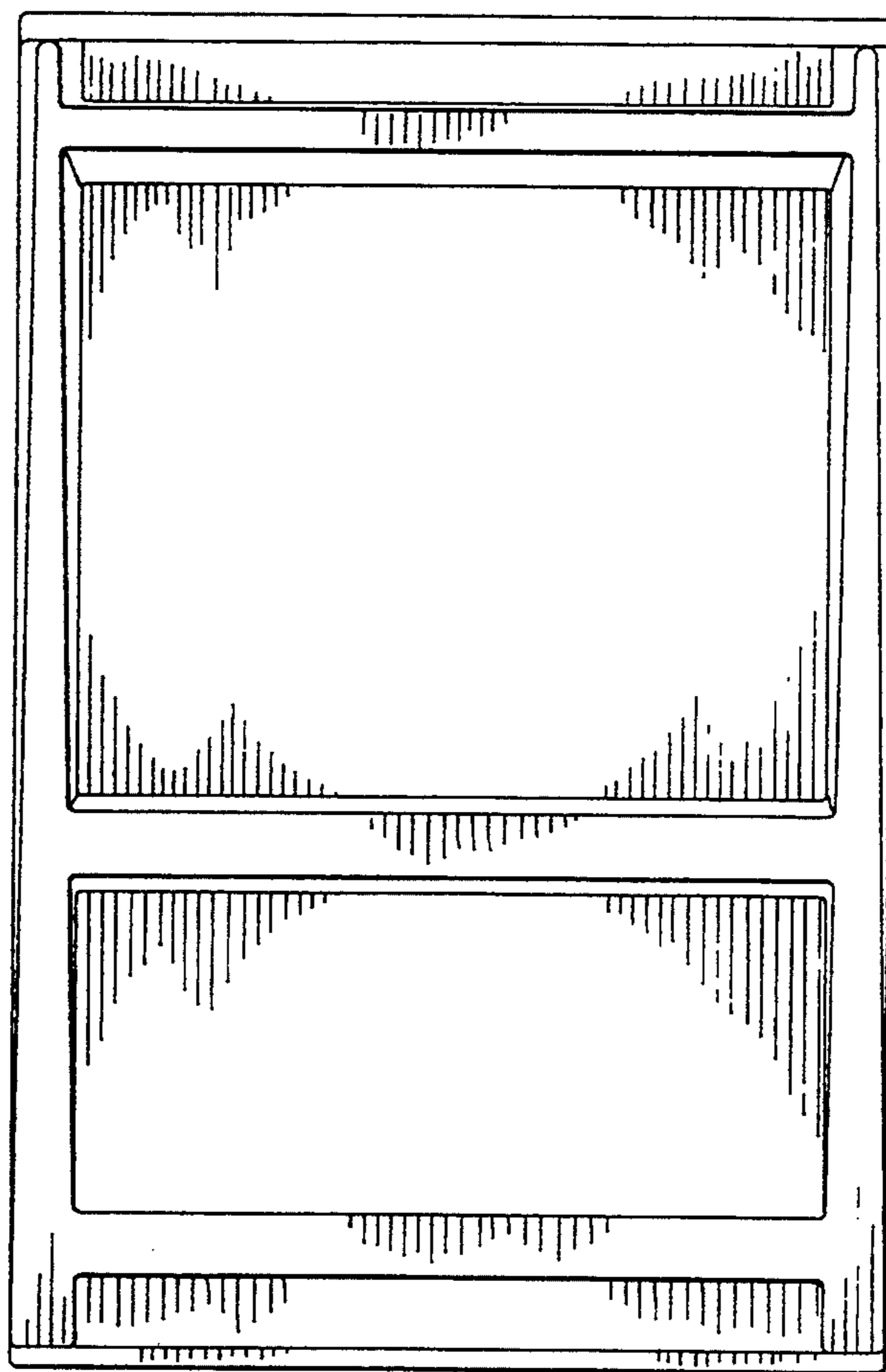


FIG. 3

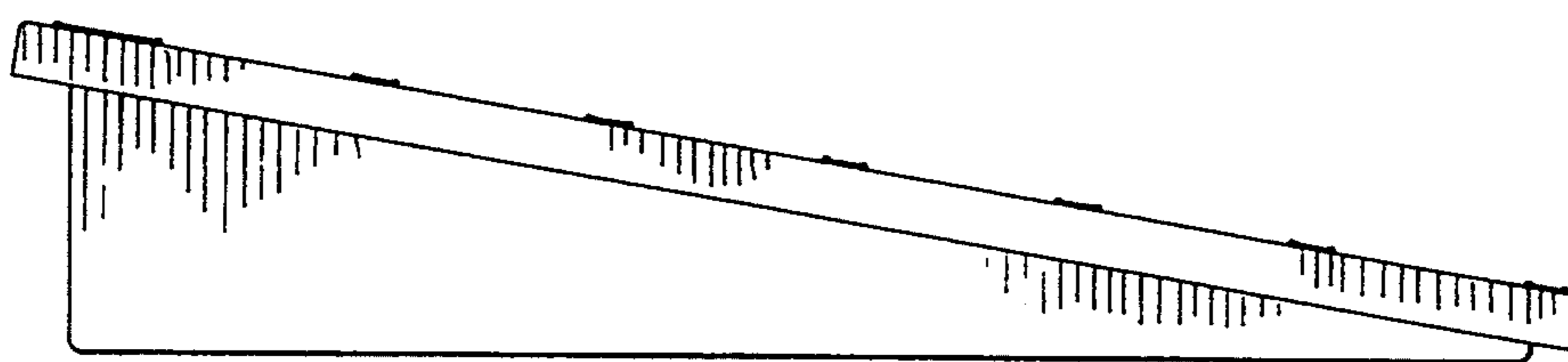


FIG. 4

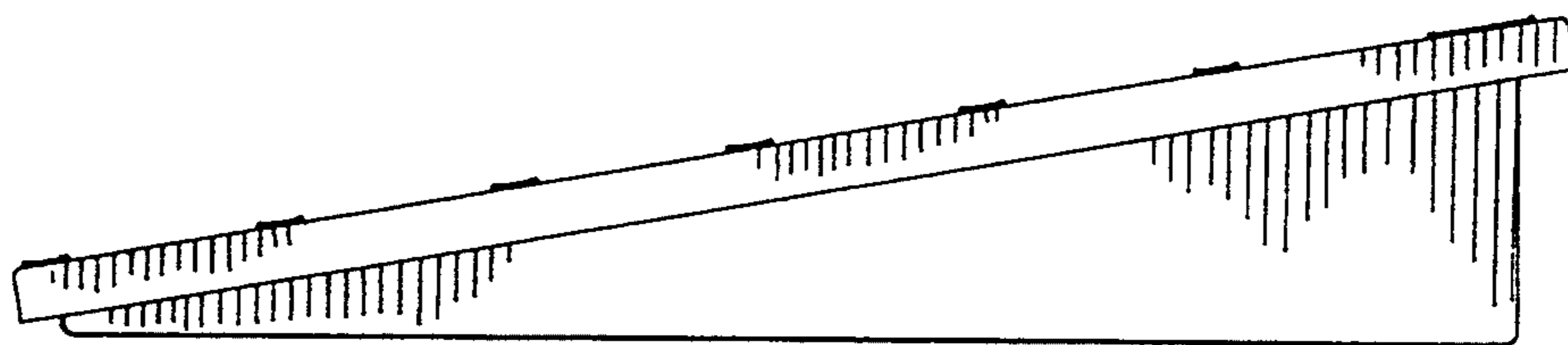


FIG. 5

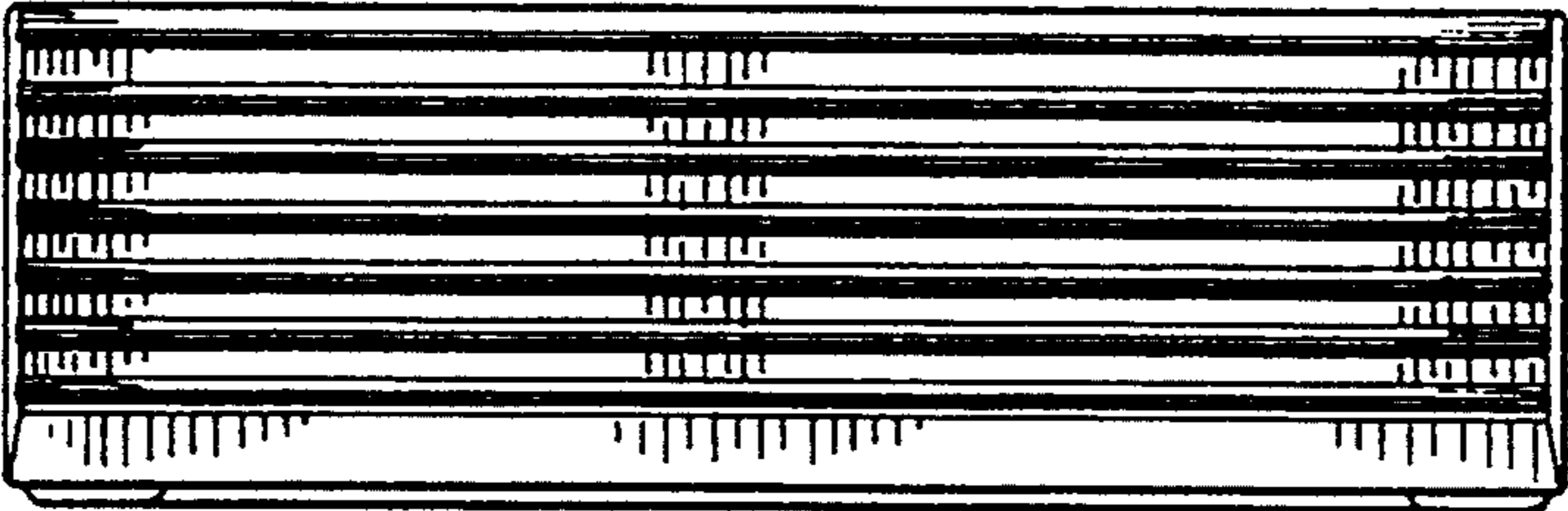


FIG. 6

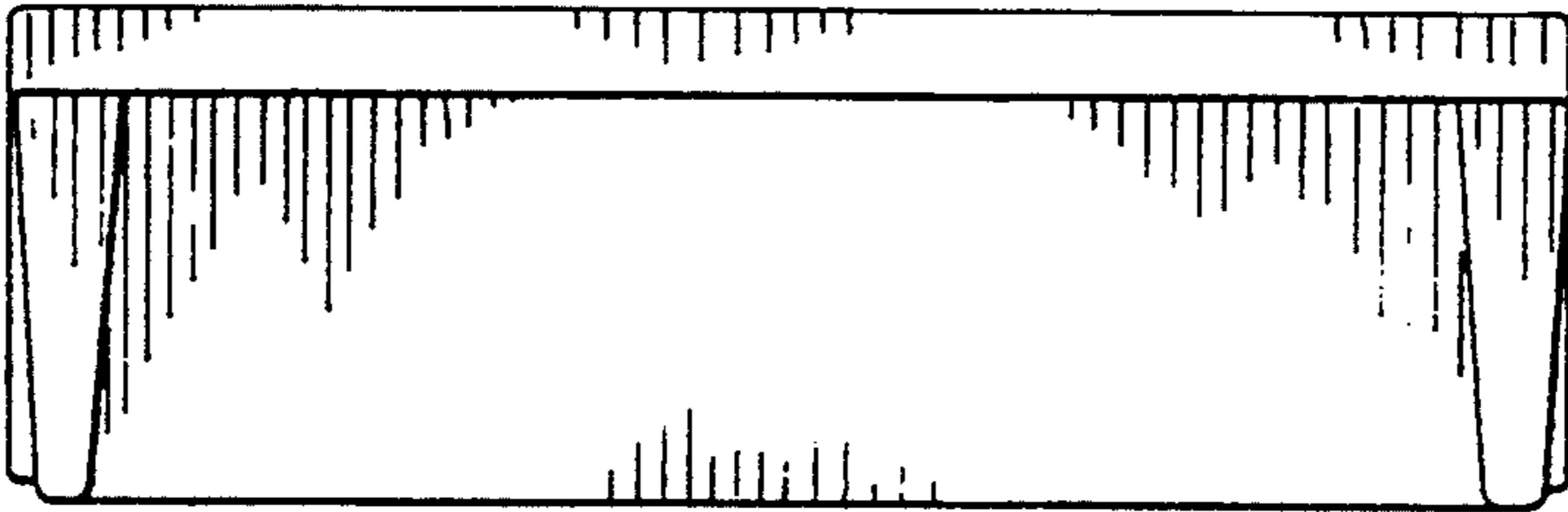


FIG. 7