



US00D349203S

United States Patent [19]

[11] Patent Number: **Des. 349,203**

Kelemen et al.

[45] Date of Patent: **** Aug. 2, 1994**

[54] **REFRIGERATOR AND MERCHANDISE RACK SUPPORT STRUCTURE FOR CHECK OUT AISLES**

[56] **References Cited**

U.S. PATENT DOCUMENTS

- D. 137,791 5/1944 Doner D6/470 X
- D. 142,049 8/1945 Waddell D6/470 X
- D. 334,495 4/1993 Bustos .
- 5,201,191 4/1993 Bustos .

[75] Inventors: **Donald D. Kelemen**, Royston; **Gerald M. Hewell**, Dewy Rose; **J. Marshall Suttles**, Elberton, all of Ga.

Primary Examiner—Alan P. Douglas
Assistant Examiner—S. Snapp
Attorney, Agent, or Firm—Howson and Howson

[73] Assignee: **The Mead Corporation**, Dayton, Ohio

[57] **CLAIM**

[**] Term: **14 Years**

The ornamental design for a refrigerator and merchandise rack support structure for check out aisles, as shown and described.

[21] Appl. No.: **6,433**

DESCRIPTION

[22] Filed: **Mar. 29, 1993**

FIG. 1 is a perspective view of a refrigerator and merchandise rack support structure for check out aisles showing our new design;

[52] U.S. Cl. **D6/470**

FIG. 2 is a top plan view thereof;

[58] Field of Search **D6/470, 471, 472, 436;**

FIG. 3 is a left side elevational view thereof;

312/116, 140.1, 138.1, 139.1

FIG. 4 is a rear elevational view thereof; and,
FIG. 5 is a bottom plan view thereof.

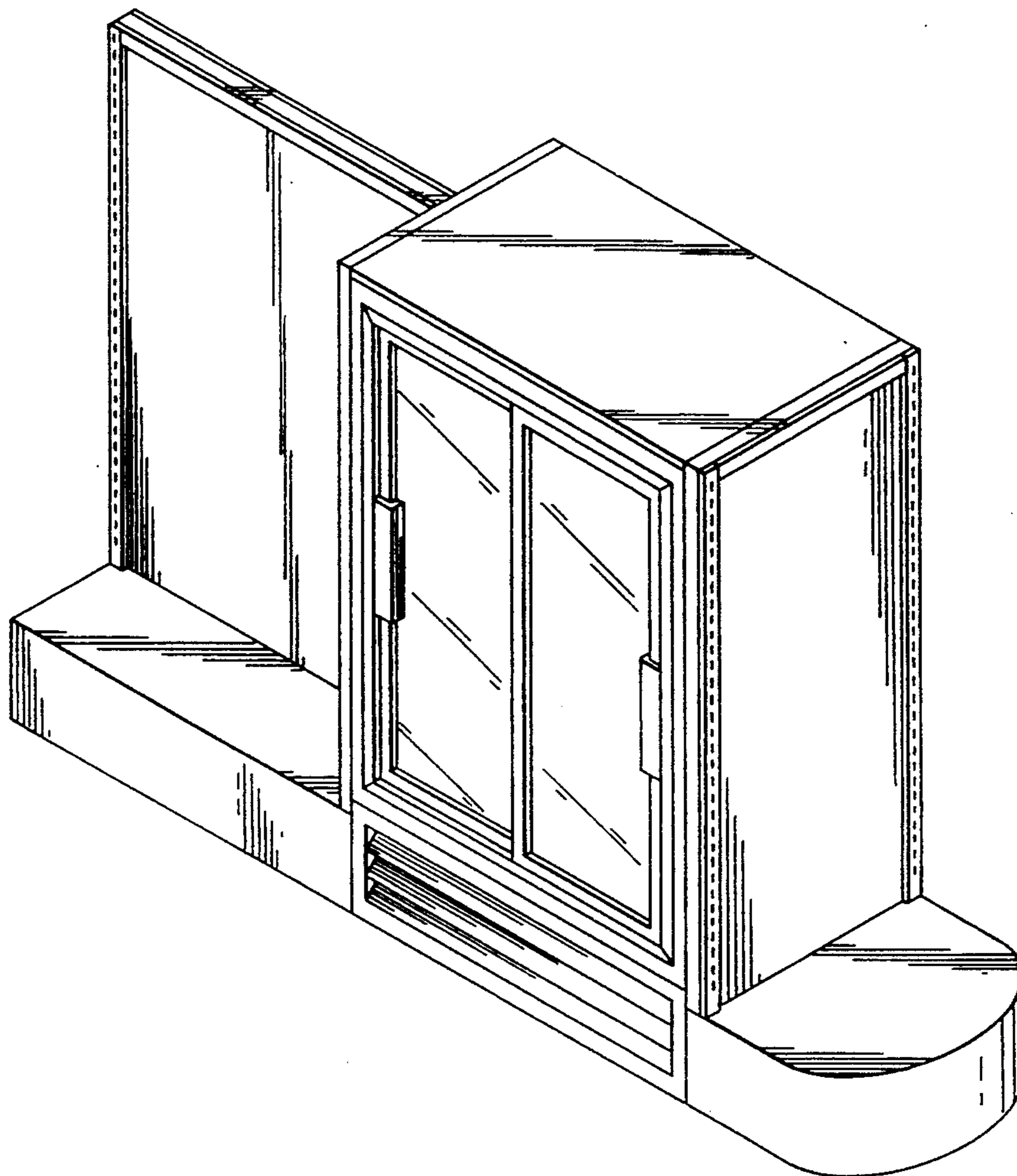


FIG. 1

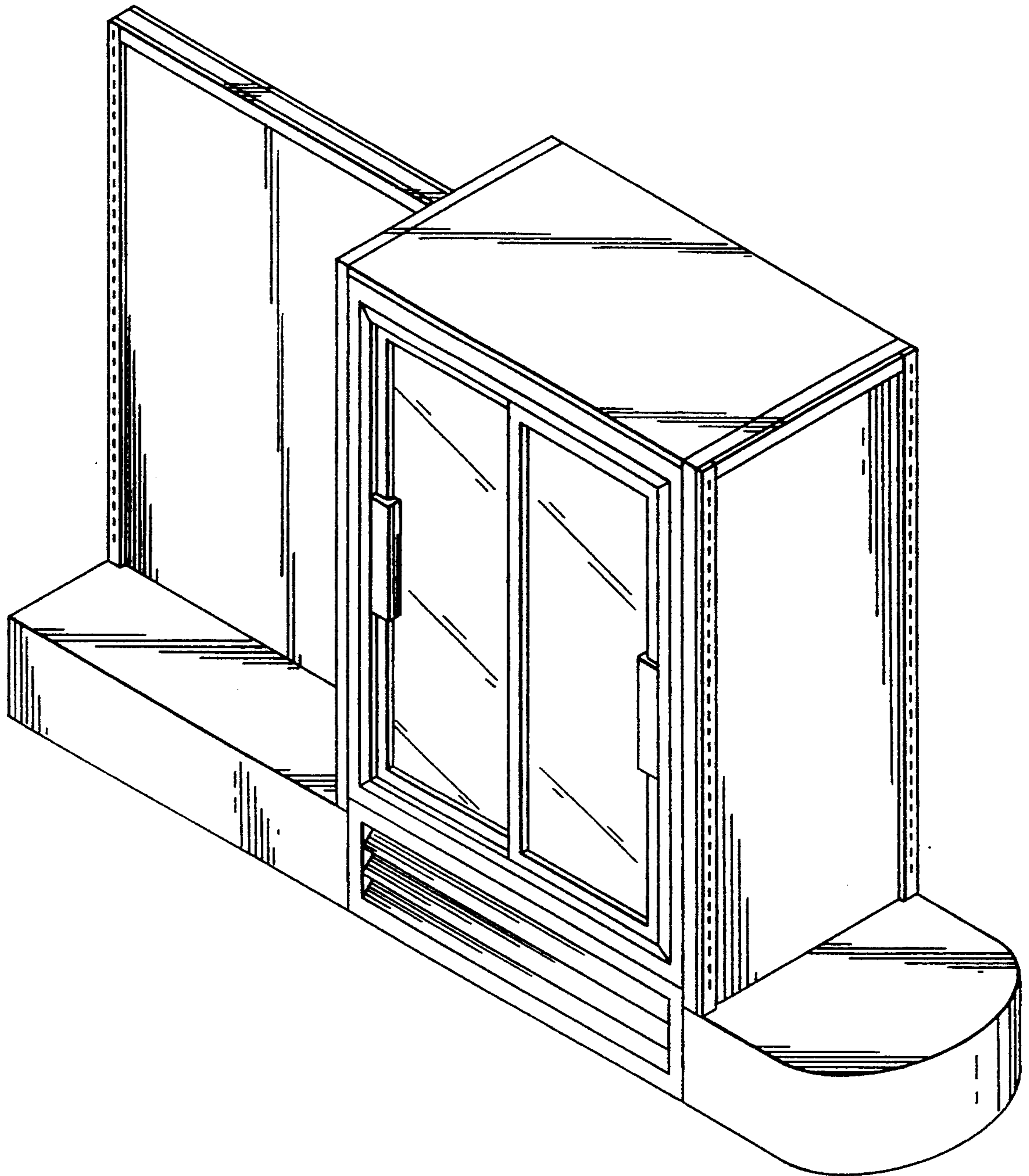


FIG. 2

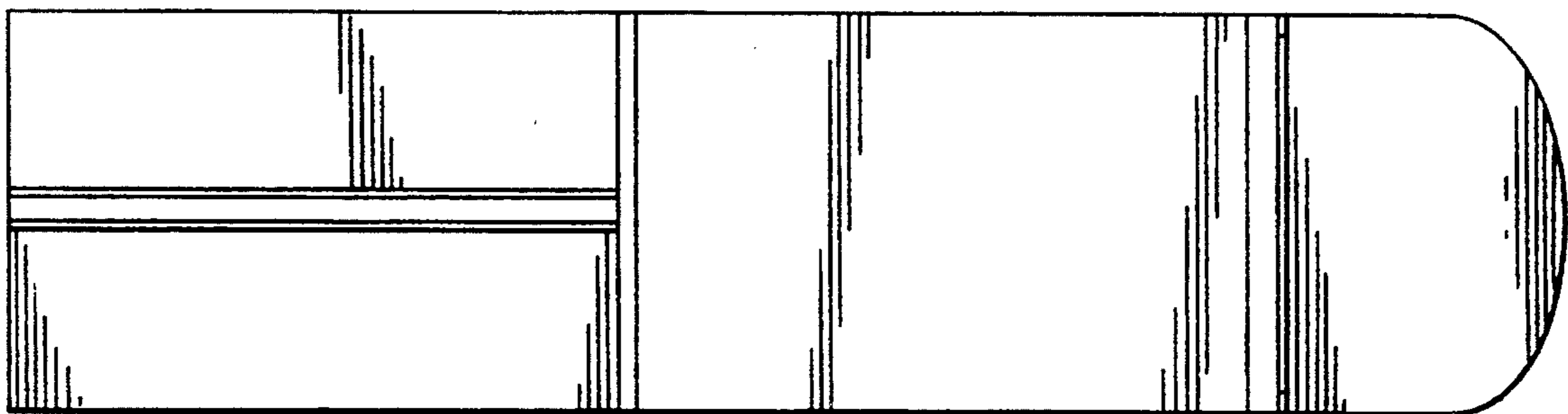


FIG. 4

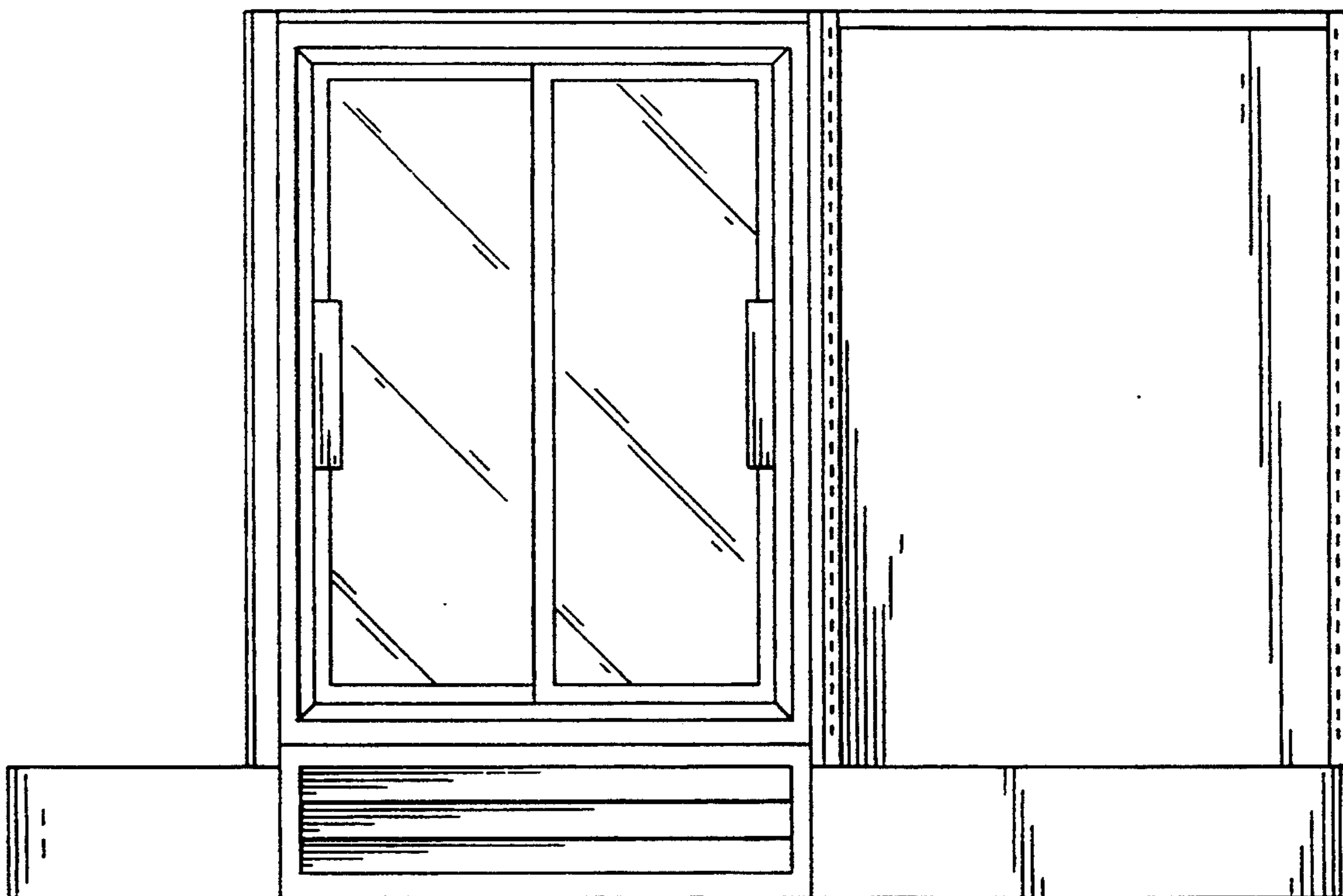


FIG. 3

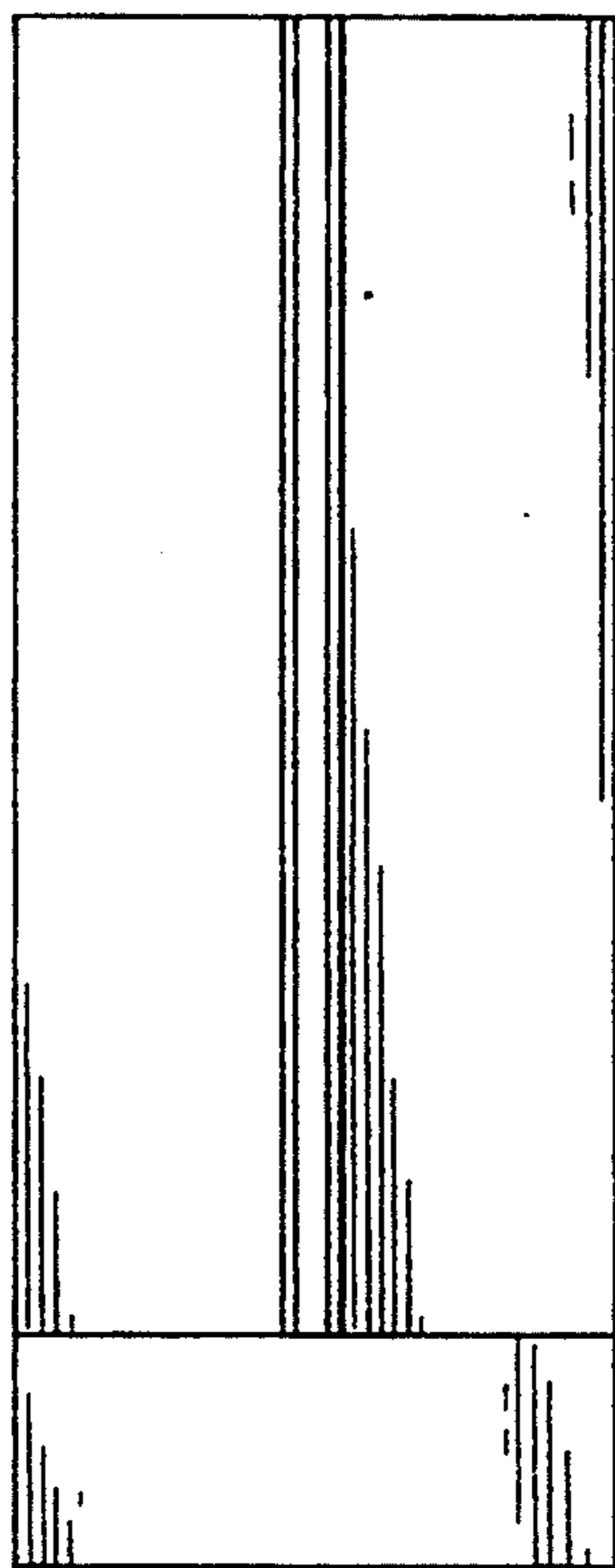


FIG. 5

