



US00D349199S

United States Patent [19]

[11] Patent Number: **Des. 349,199**

Woodhams

[45] Date of Patent: **** Aug. 2, 1994**

[54] BUNK BED FRAME

[76] Inventor: **Walter B. Woodhams**, Rte. #2, Box 270A, Peru, Ind. 46970

[**] Term: **14 Years**

[21] Appl. No.: **952,788**

[22] Filed: **Sep. 30, 1992**

[52] U.S. Cl. **D6/393**

[58] Field of Search D6/388, 382, 390-395, D6/505-508; 5/9.1, 93.1

OTHER PUBLICATIONS

Lullabye, p. 10, Bunk Bed.

Primary Examiner—Nelson C. Holtje

Assistant Examiner—J. E. Seeger

Attorney, Agent, or Firm—Roger M. Rickert

[57] CLAIM

The ornamental design for a bunk bed frame, as shown and described.

DESCRIPTION

FIG. 1 is a perspective view of a bunk bed frame, showing my new design;

FIG. 2 is a side elevation view thereof with the view from the opposite side being substantially the same;

FIG. 3 is an end elevation view thereof with the view from the opposite end being substantially the same;

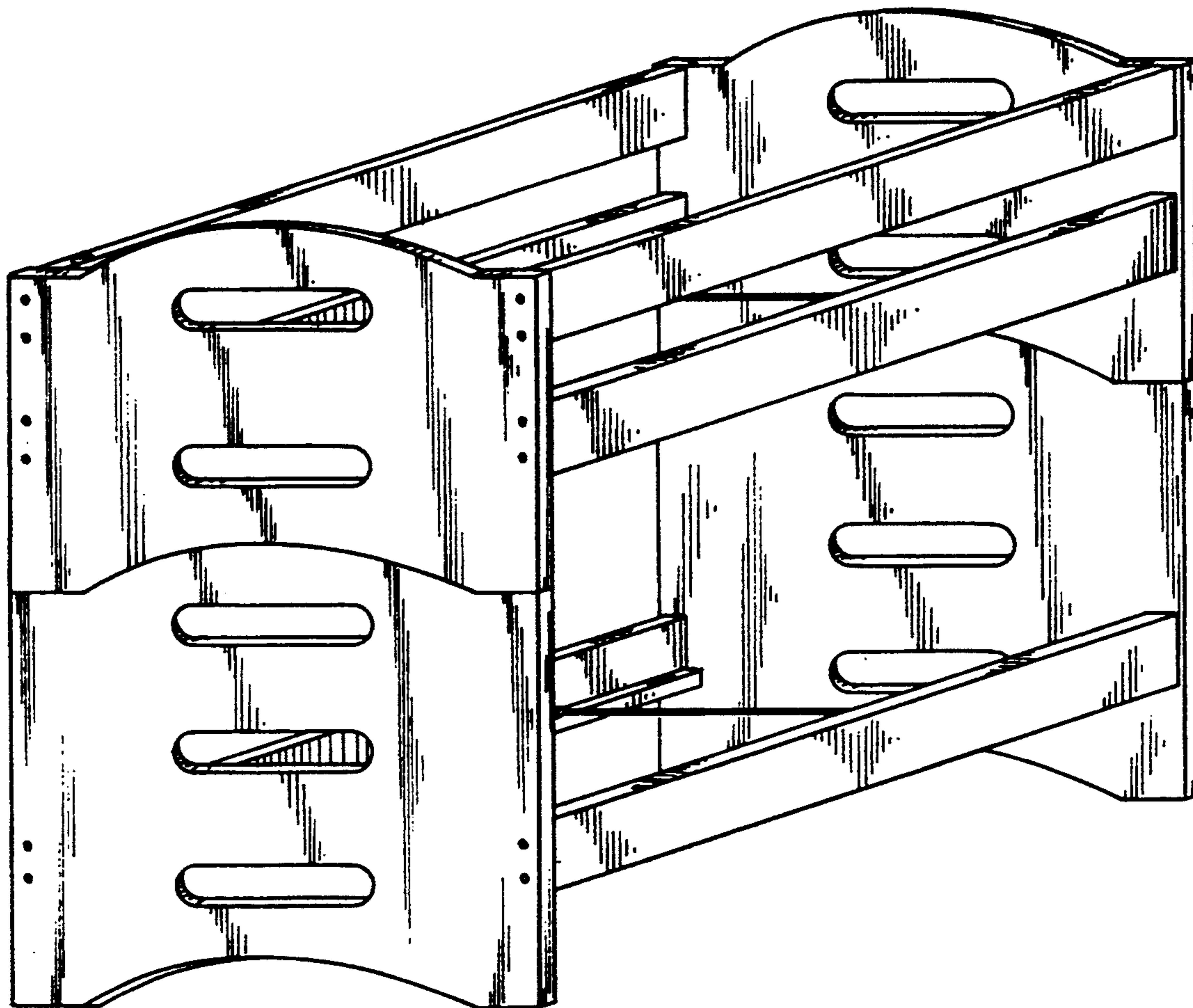
FIG. 4 is a top plan view thereof; and,

FIG. 5 is a bottom plan view thereof.

[56] References Cited

U.S. PATENT DOCUMENTS

D. 222,821	1/1972	Grebolder	D6/382
259,512	6/1882	Eldridge	5/9.1
2,650,371	9/1953	Showalder	5/93.1 X
3,930,699	1/1976	Schnizlein, Jr.	5/9.1 X
5,003,650	4/1991	Caya	5/9.1



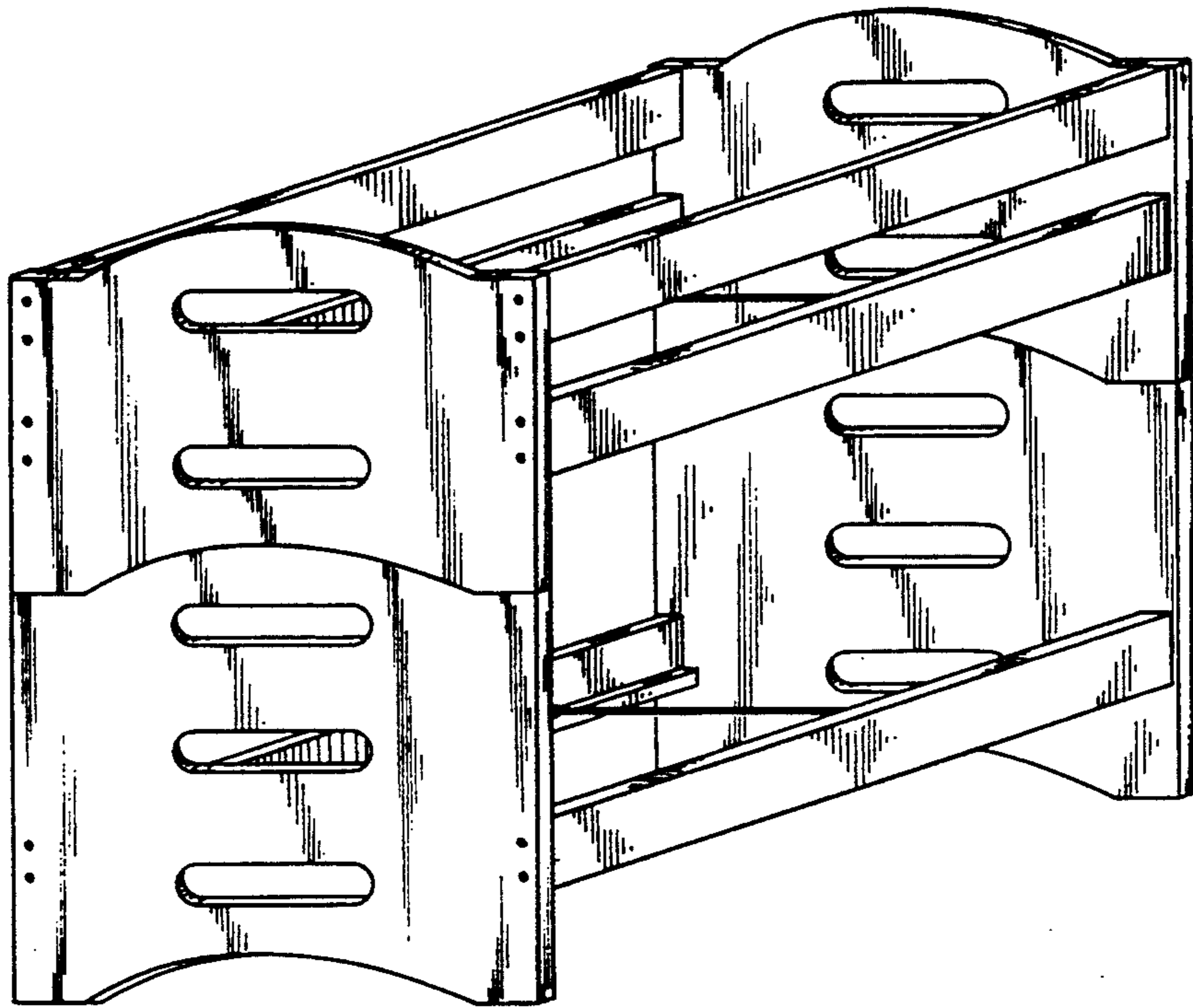


FIG. 1

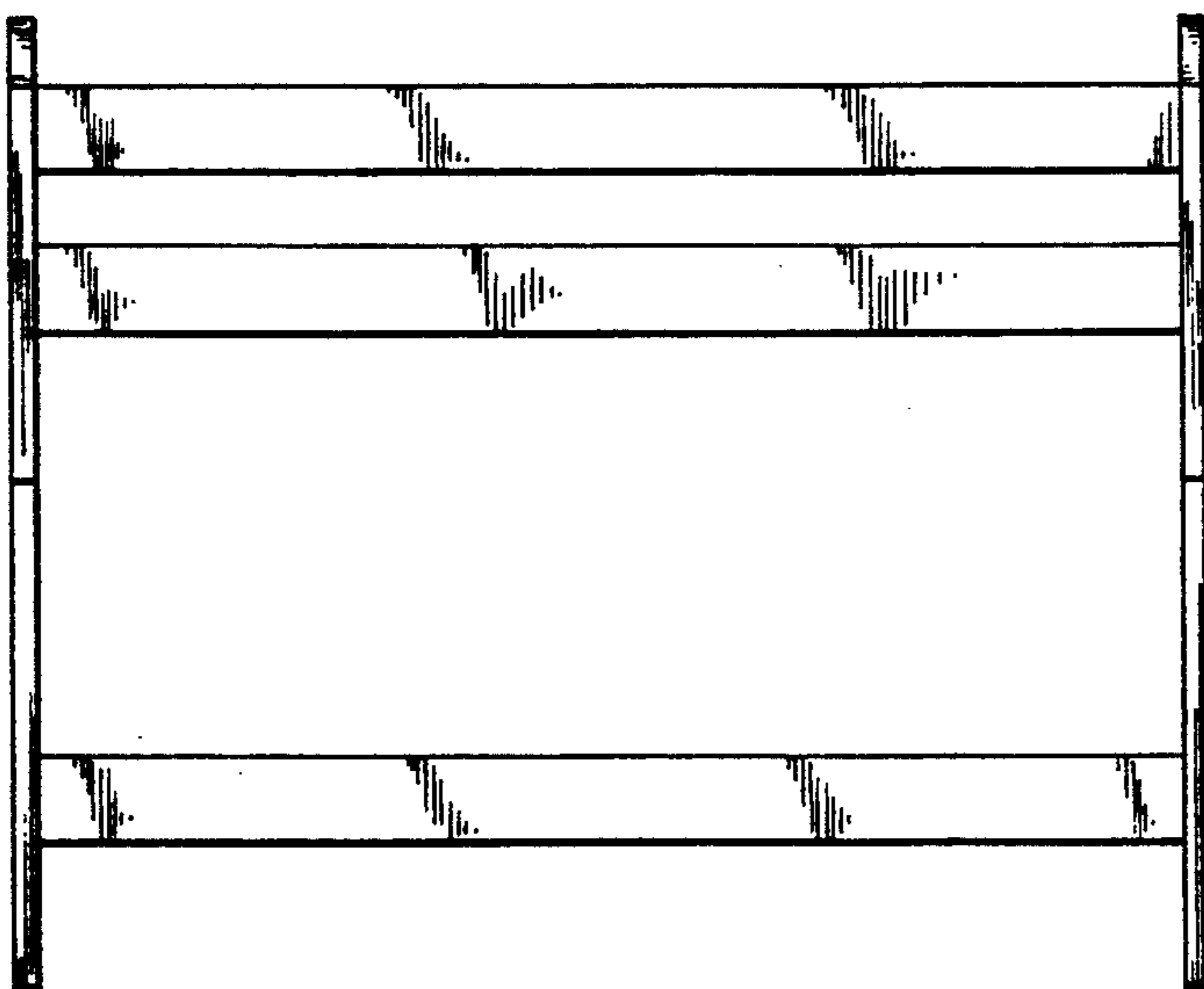


FIG. 2

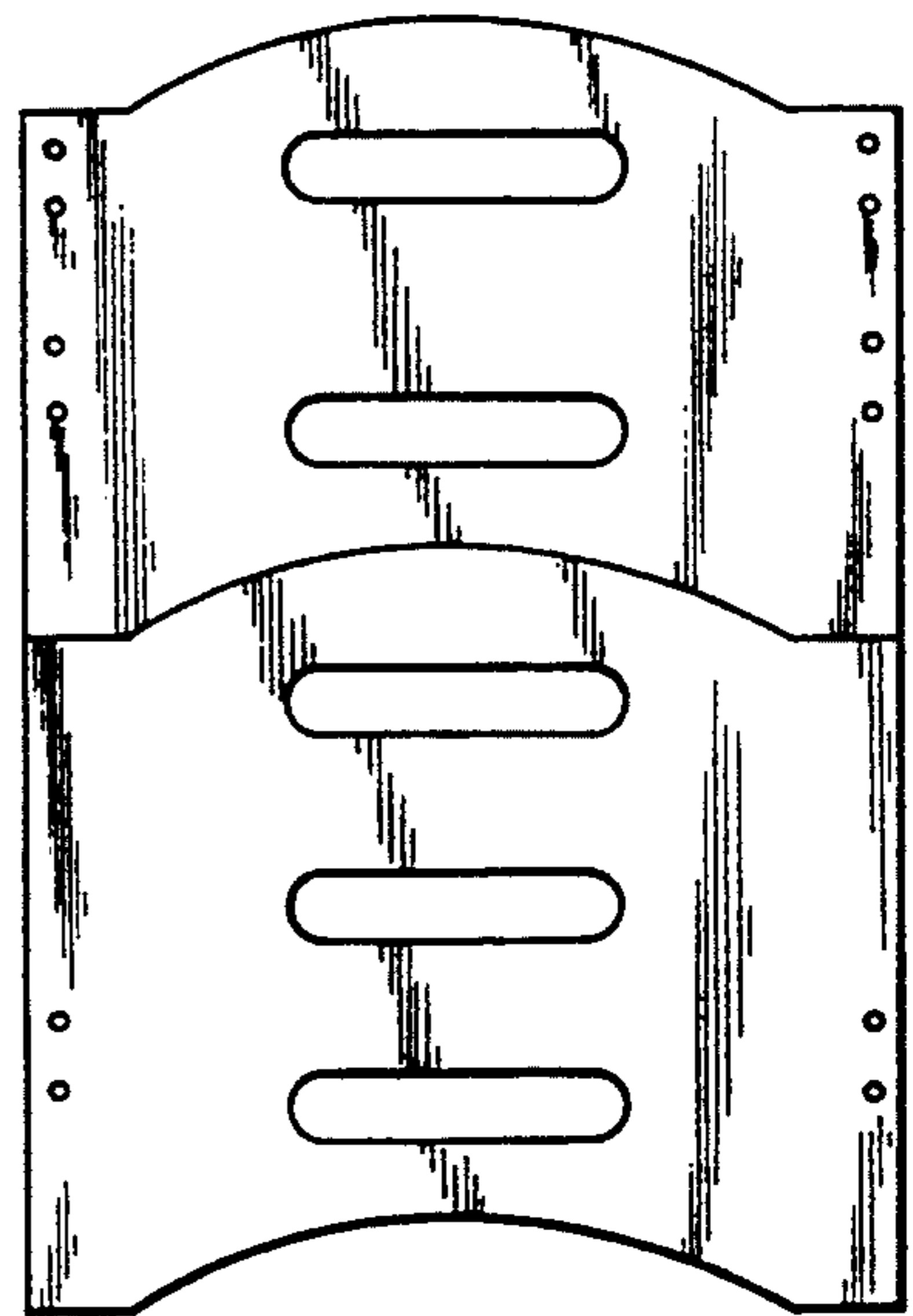


FIG. 3

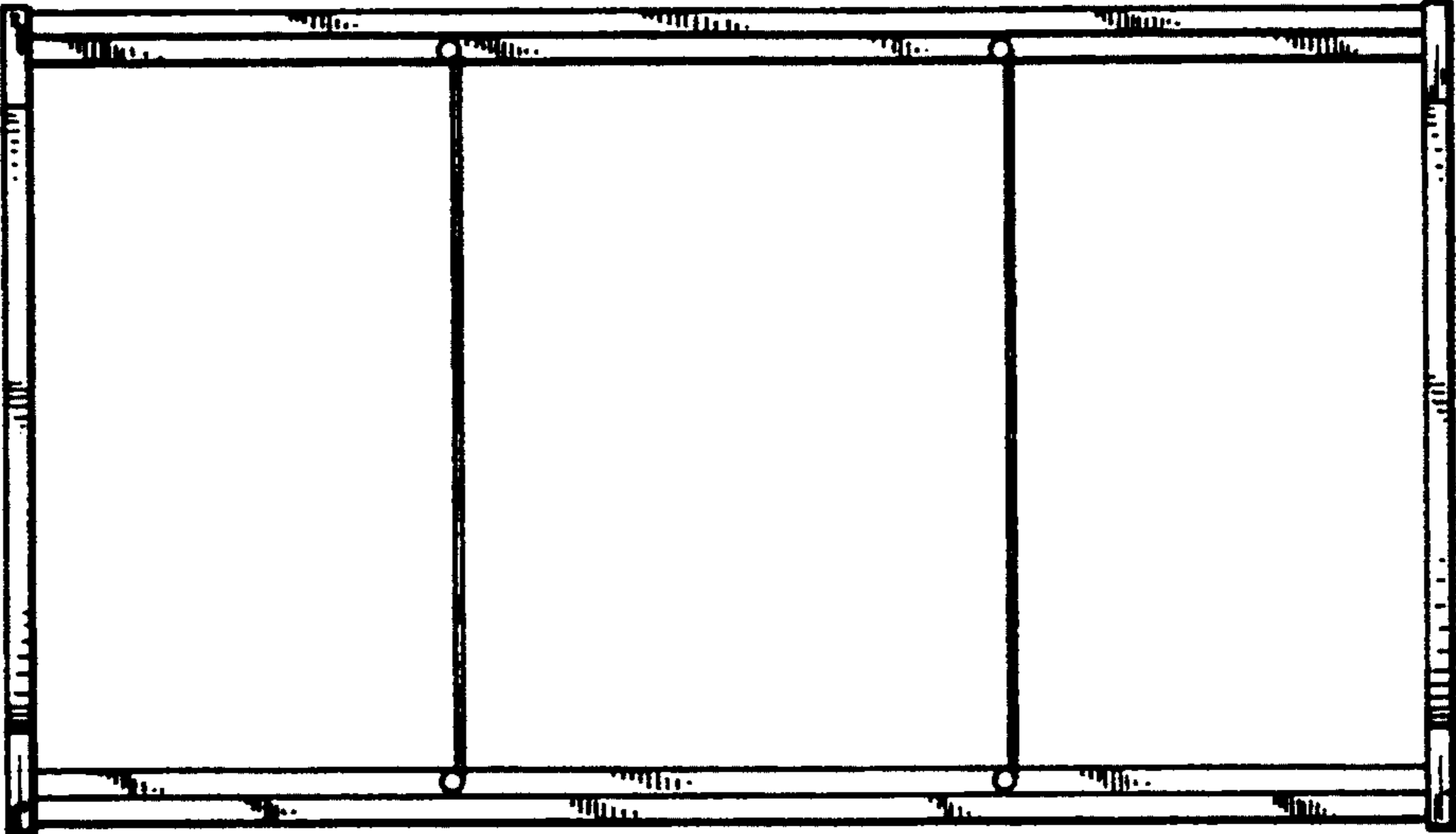


FIG. 4

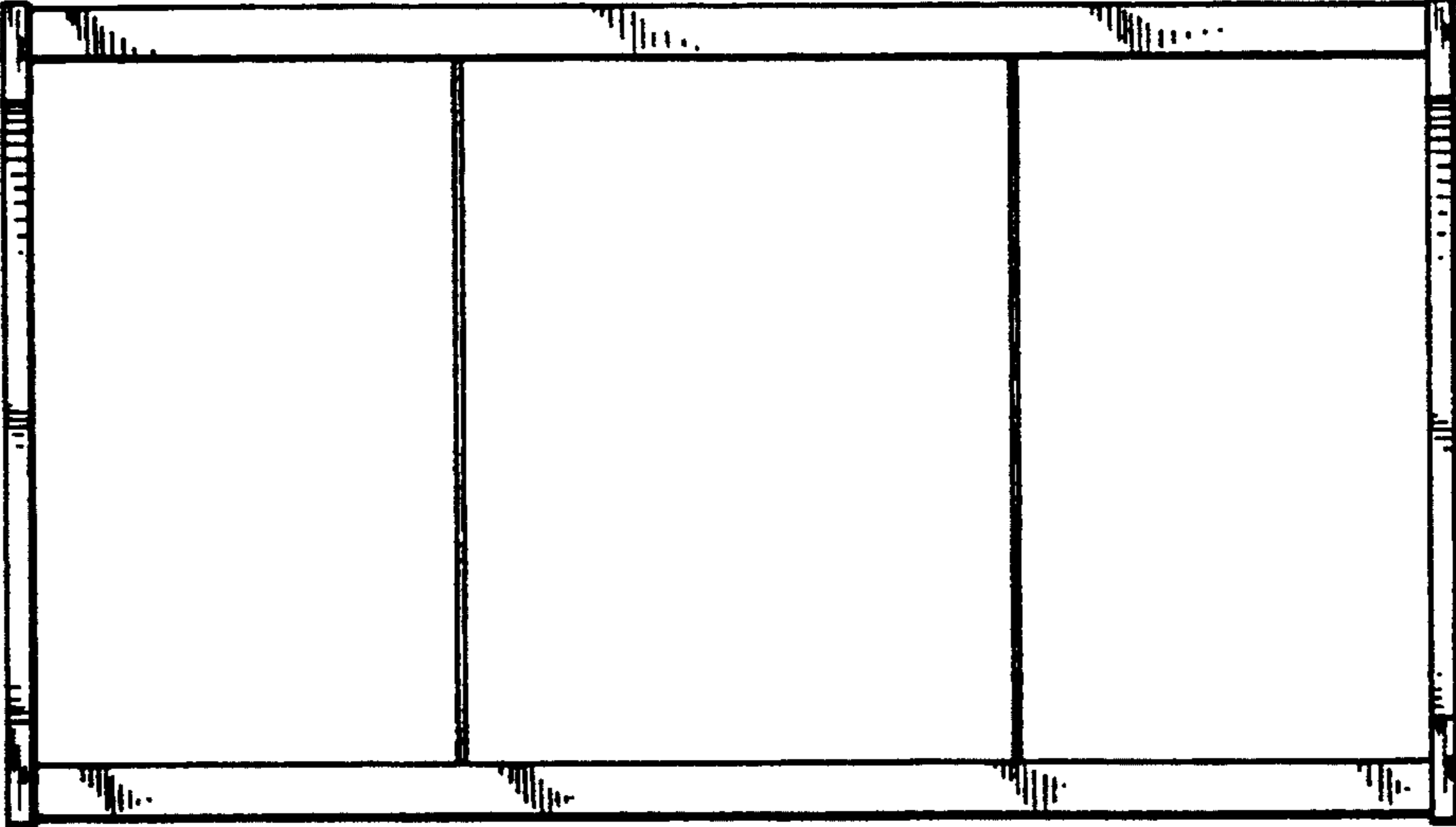


FIG. 5