



US00D349194S

United States Patent [19]

[11] Patent Number: **Des. 349,194**

Hollis

[45] Date of Patent: **** Aug. 2, 1994**

[54] **FOLDING PORTABLE STADIUM SEAT**

[76] Inventor: **Frank J. Hollis, 252 Dusenburg SS, Ore City, Tex. 75683**

[**] Term: **14 Years**

[21] Appl. No.: **4,089**

[22] Filed: **Jan. 27, 1993**

[52] U.S. Cl. **D6/368**

[58] Field of Search **D6/334, 335, 336, 367, D6/368, 379, 500, 501, 502; 297/352, 378.1, 411.36**

3,594,039	7/1971	Harp	297/252
3,994,529	11/1976	Lippert	297/252
4,715,652	12/1987	Ward	297/252
4,781,413	11/1988	Shumack, Jr.	297/252
4,871,209	10/1989	Handelman	297/378

Primary Examiner—Alan P. Douglas
Assistant Examiner—Gary D. Watson
Attorney, Agent, or Firm—Timmons & Kelly

[57] CLAIM

The ornamental design for a folding portable stadium seat, as shown and described.

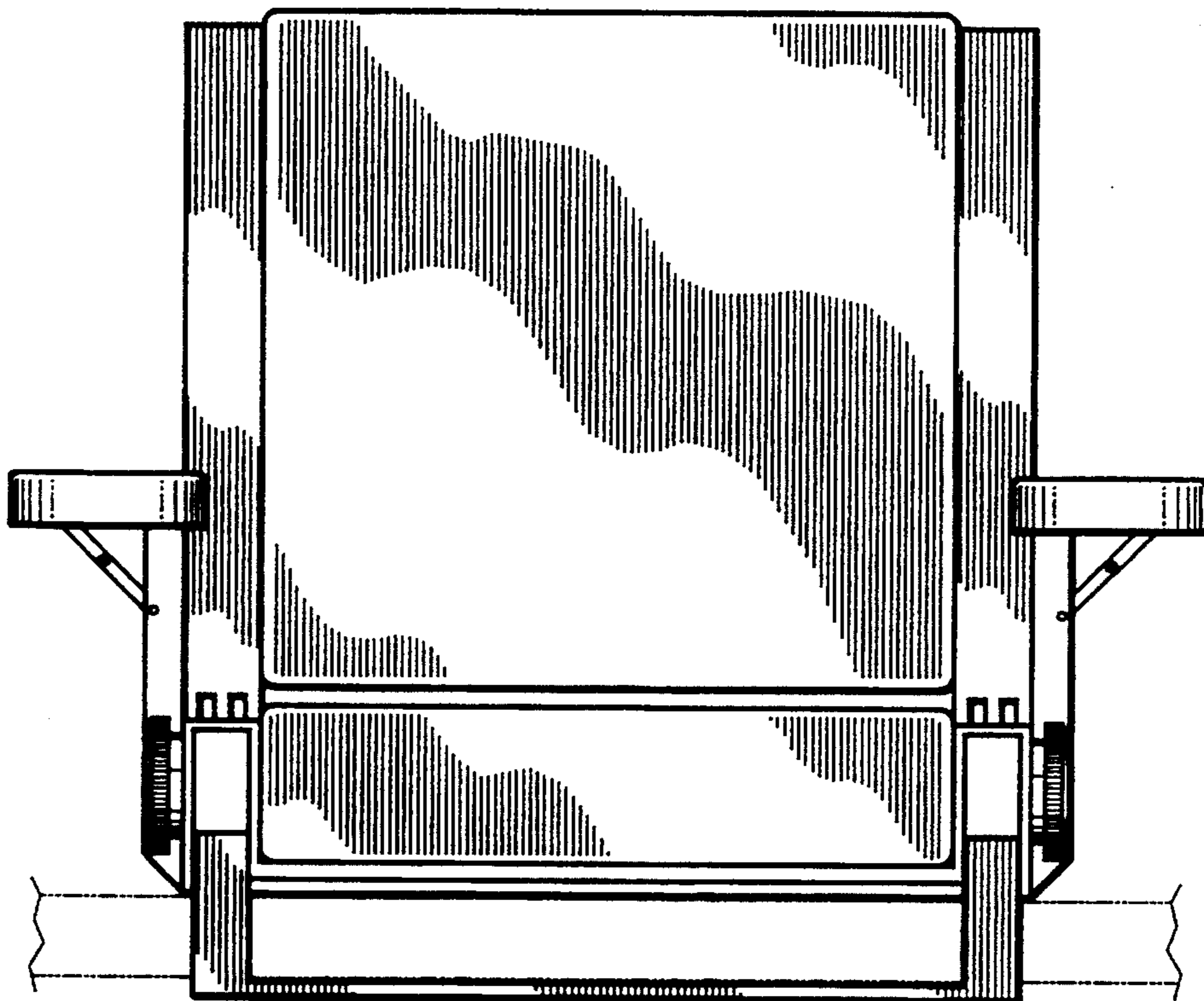
DESCRIPTION

FIG. 1 is a front elevation of a folding portable stadium seat showing my new design; FIG. 2 is a top plan view; FIG. 3 is a side elevation, the opposite side being a mirror image thereof; FIG. 4 is a rear elevation thereof; and, FIG. 5 is a bottom plan view thereof. The broken line showing in all views is for environmental purposes only and forms no part of the claimed design.

[56] References Cited

U.S. PATENT DOCUMENTS

D. 121,266	7/1940	Archer	D6/368
D. 252,658	8/1979	Kressin	D6/368
D. 262,252	12/1981	Marrison	D6/334
D. 330,639	11/1992	Munro et al.	D6/335
D. 335,773	5/1993	Douglas	D6/336
D. 340,142	10/1993	Totoro	D6/367
2,466,361	4/1949	Bjornskaas	155/133
2,536,157	1/1951	Campanelli	155/133
3,560,047	2/1971	Davis	297/188



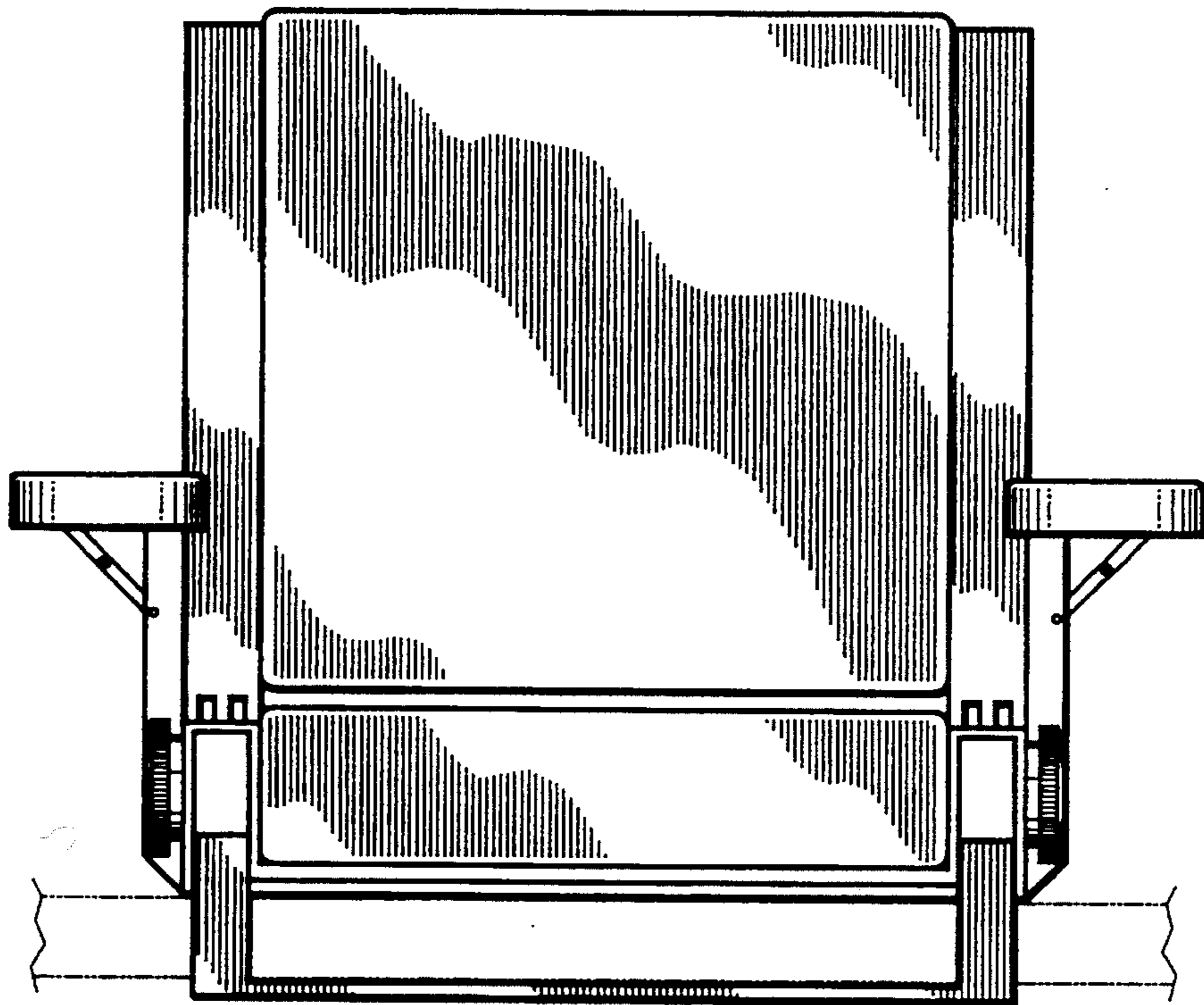


Fig.1

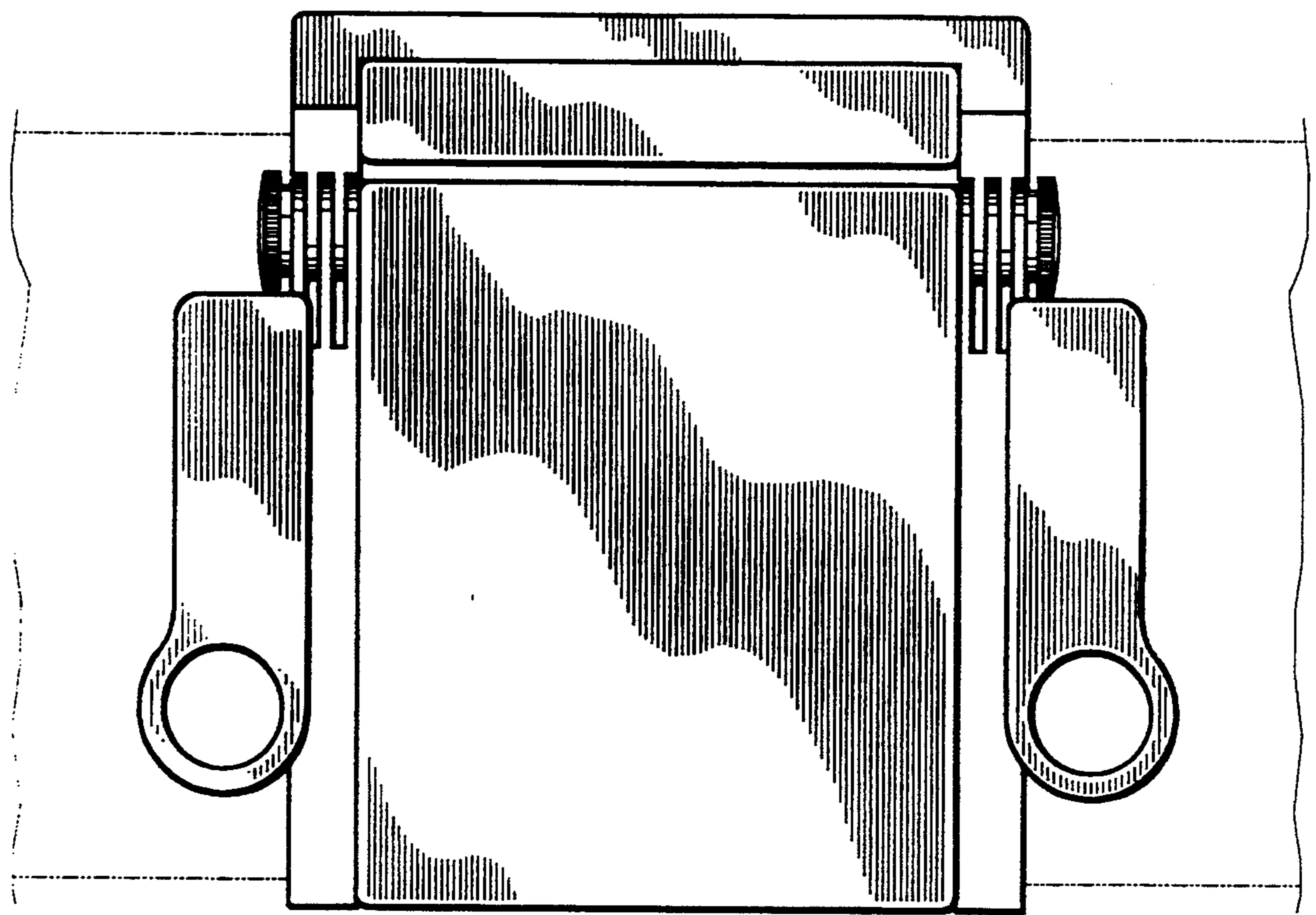


Fig.2

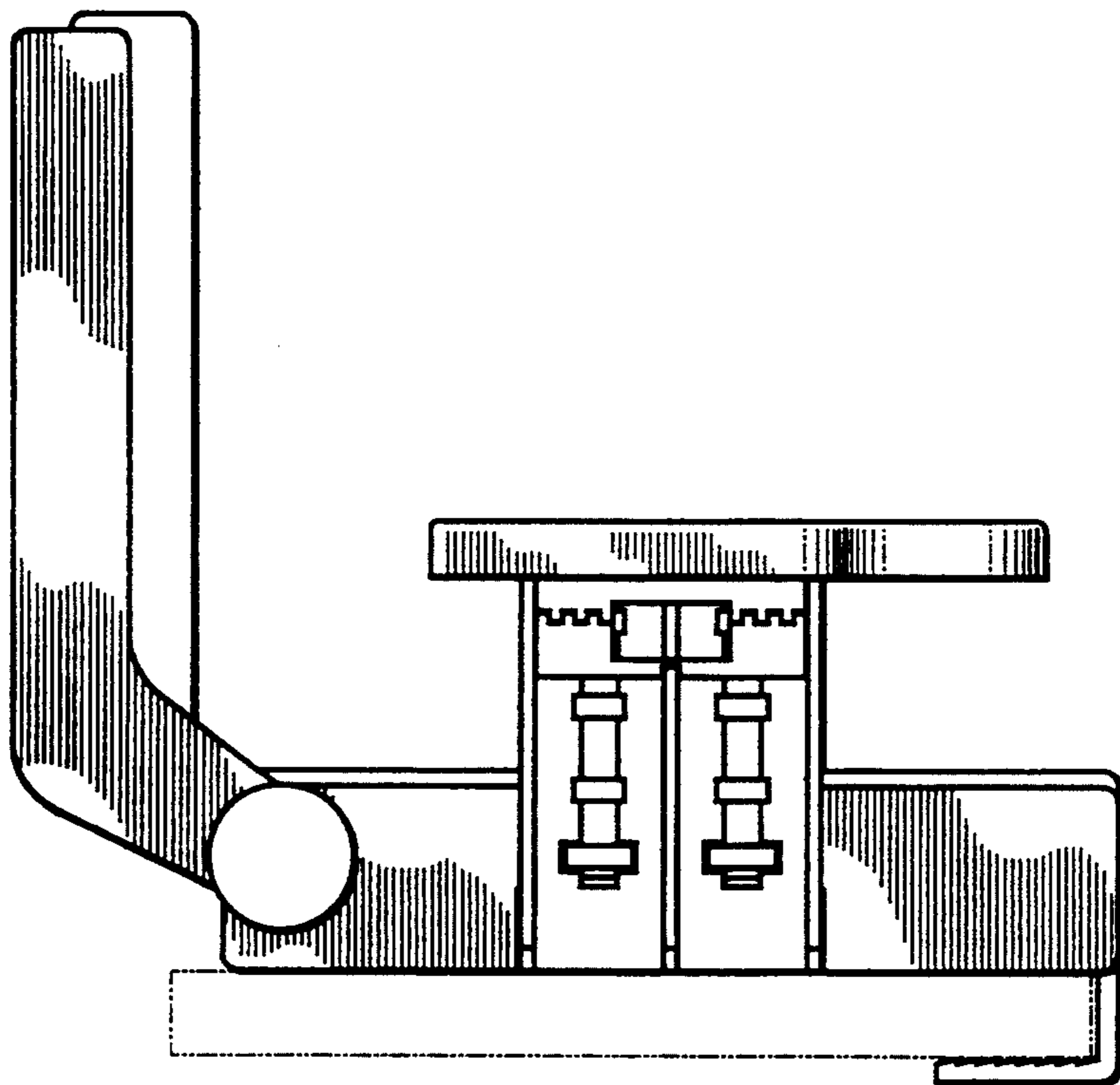


Fig.3

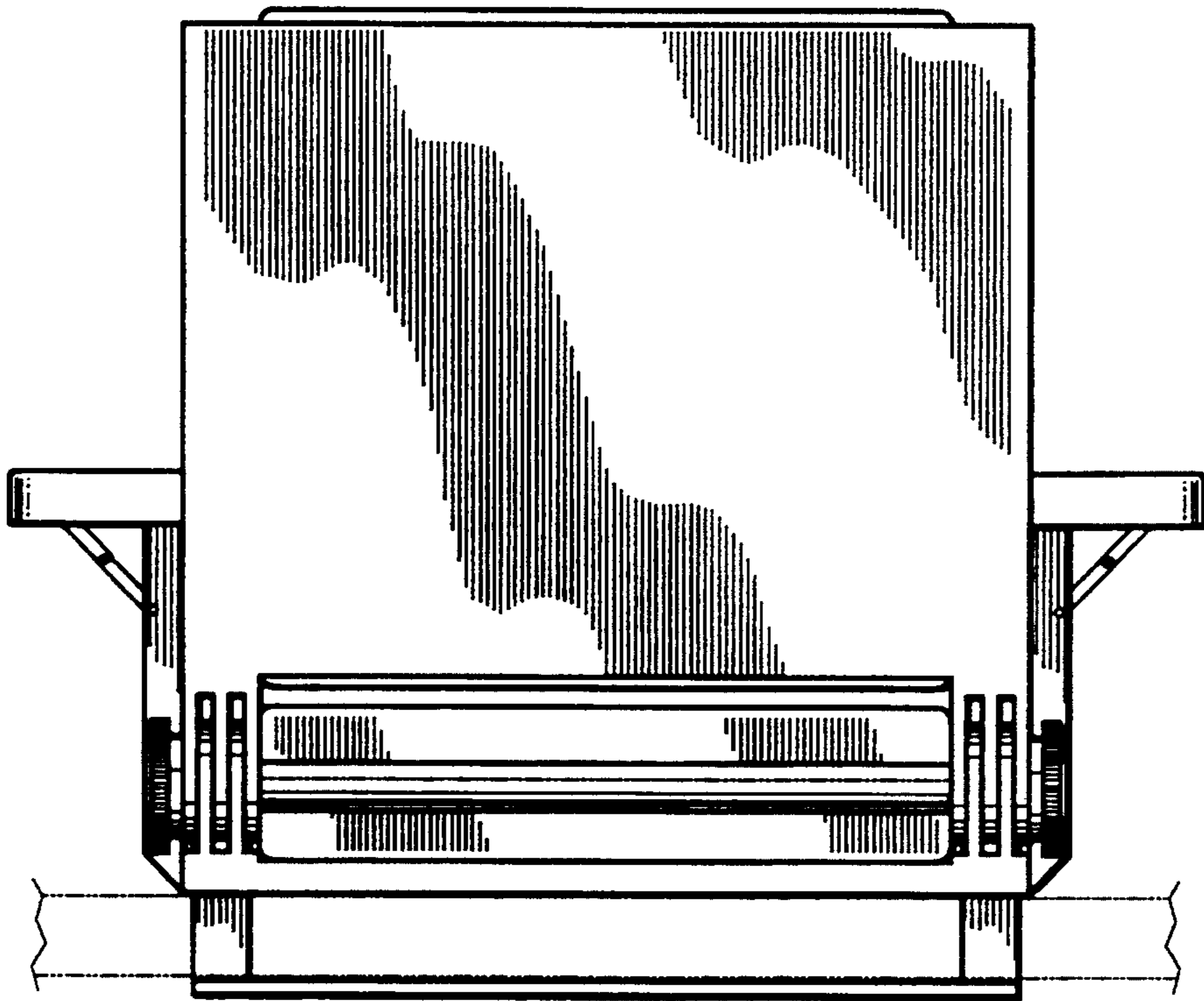


Fig.4

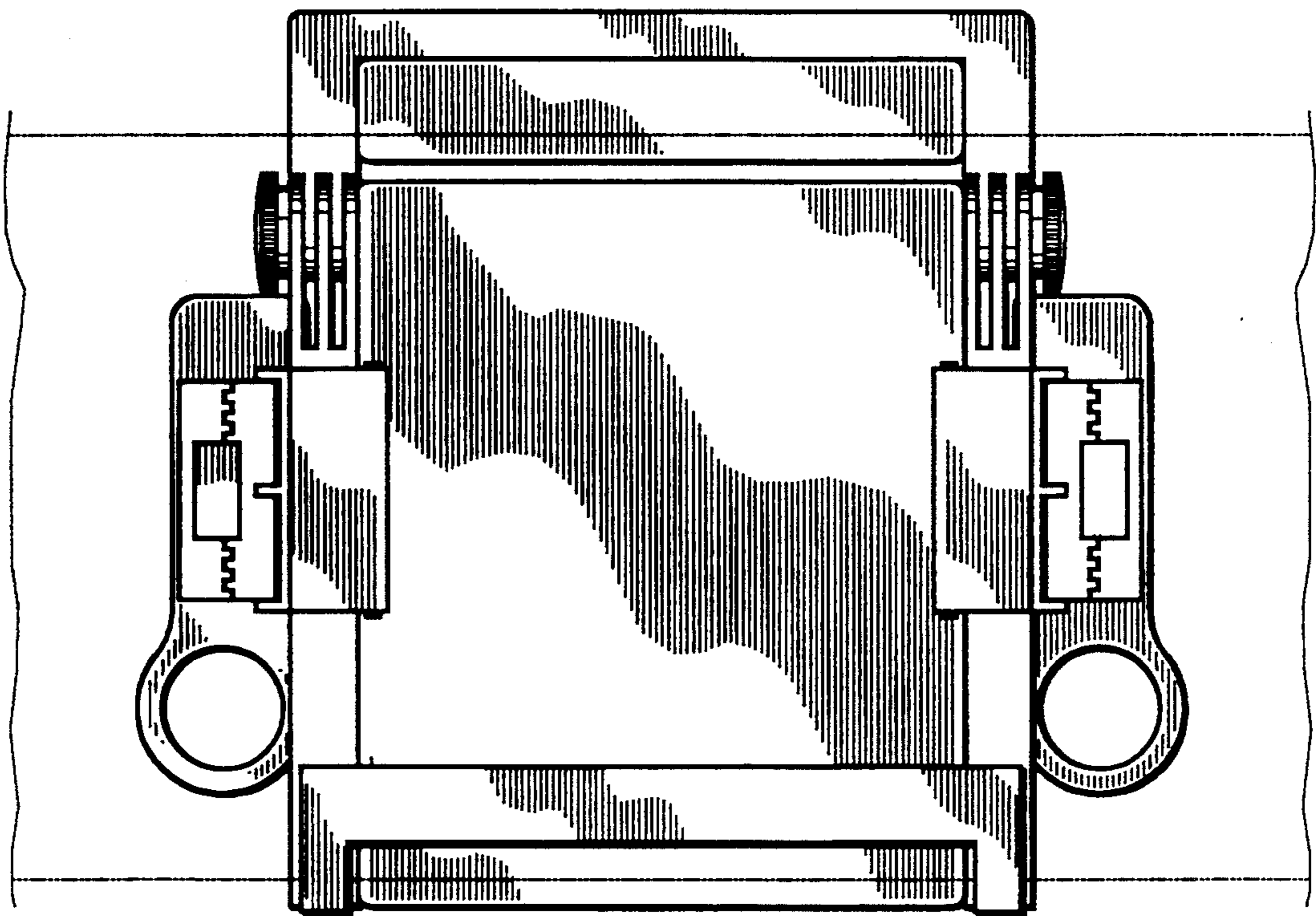


Fig.5