



US00D349193S

United States Patent [19]

[11] Patent Number: **Des. 349,193**

Sloan et al.

[45] Date of Patent: **** Aug. 2, 1994**

[54] **COMBINED BRUSH AND SCRAPER**

[56] **References Cited**

[75] Inventors: **James F. Sloan**, Greenville; **David B. Joyner**, Winterville, both of N.C.

U.S. PATENT DOCUMENTS

- D. 197,637 3/1964 Vallis D4/118
- D. 249,599 9/1978 Whitaker D4/118
- D. 333,920 3/1983 Vetter D4/118 X
- D. 334,845 4/1993 Ricciareli et al. D4/138

[73] Assignee: **Empire Brushes, Inc.**, Greenville, N.C.

Primary Examiner—Wallace R. Burke
Assistant Examiner—Lavone D. Tabor
Attorney, Agent, or Firm—Kirschstein et al.

[**] Term: **14 Years**

[57] CLAIM

The ornamental design for a combined brush and scraper, as shown.

[21] Appl. No.: **3,550**

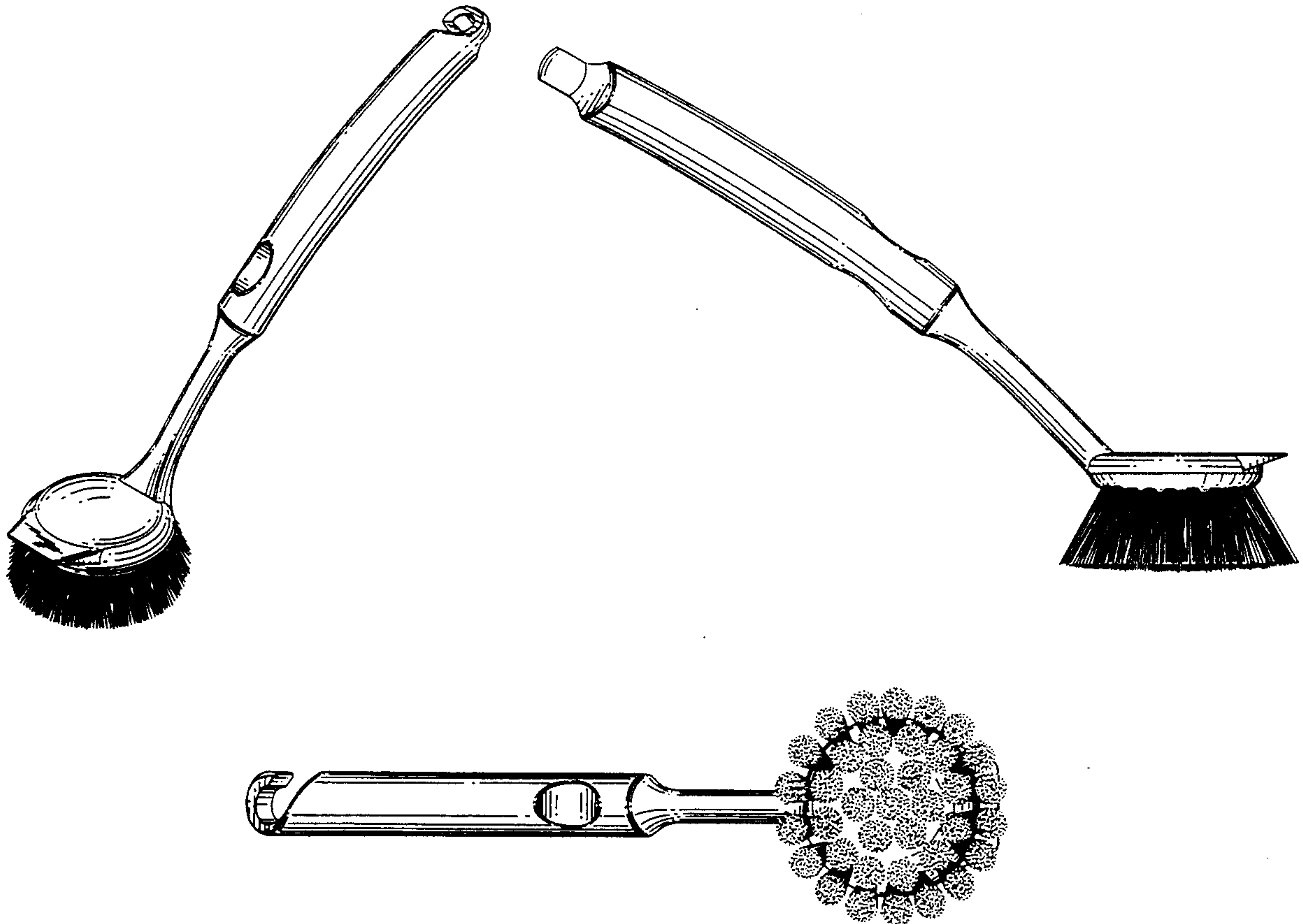
DESCRIPTION

[22] Filed: **Jan. 12, 1993**

FIG. 1 is a top, front, and left side perspective view of a combined brush and scraper showing our new design; FIG. 2 is an enlarged front elevational view thereof; FIG. 3 is a top plan view thereof; FIG. 4 is a right side elevational view thereof; FIG. 5 is a rear elevational view thereof; and, FIG. 6 is a bottom plan view thereof.

[52] U.S. Cl. **D4/118; D4/127; D4/132; D32/42**

[58] Field of Search **D4/116, 118, 127, 130, D4/132, 138; 15/105, 111, 112, 143.1, 159.1, 160; D32/42**



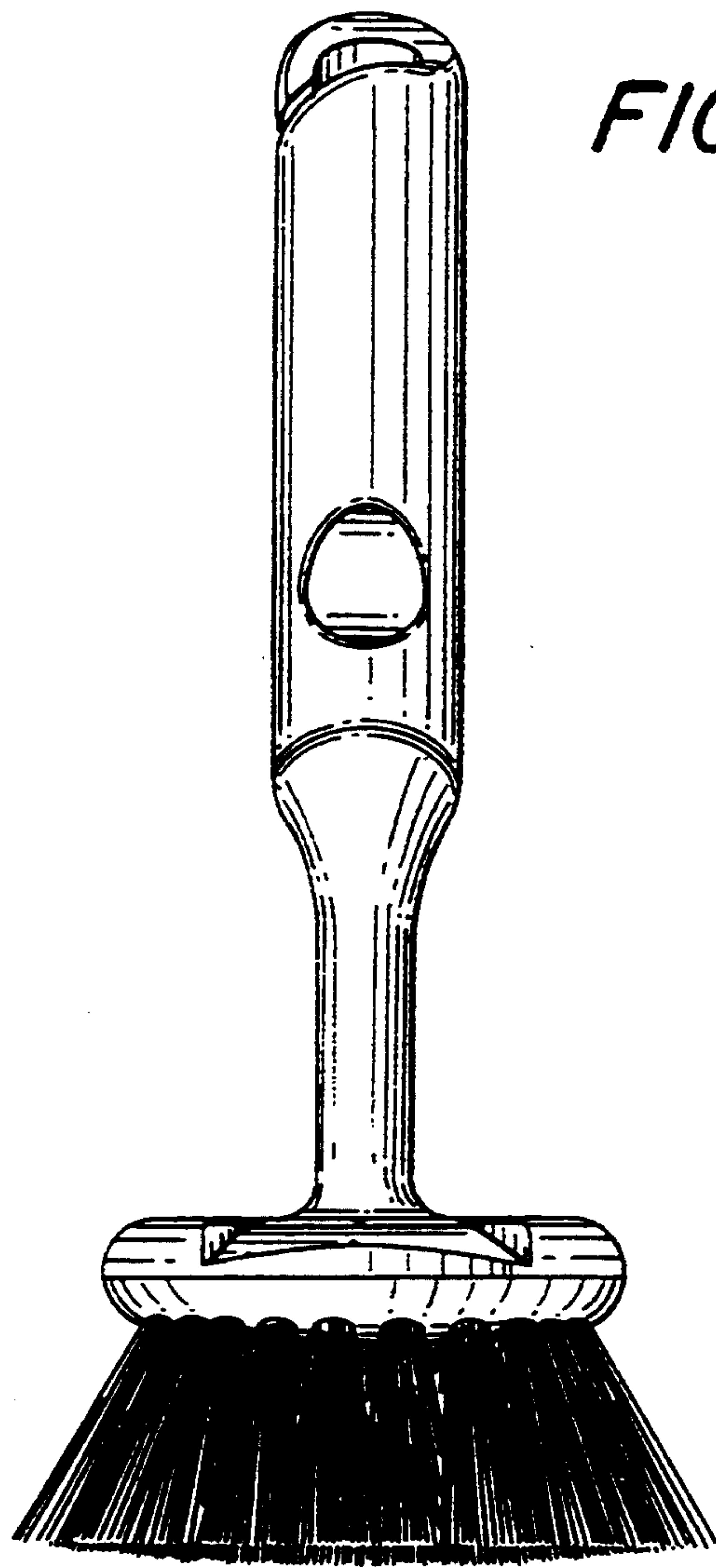


FIG. 2



FIG. 1

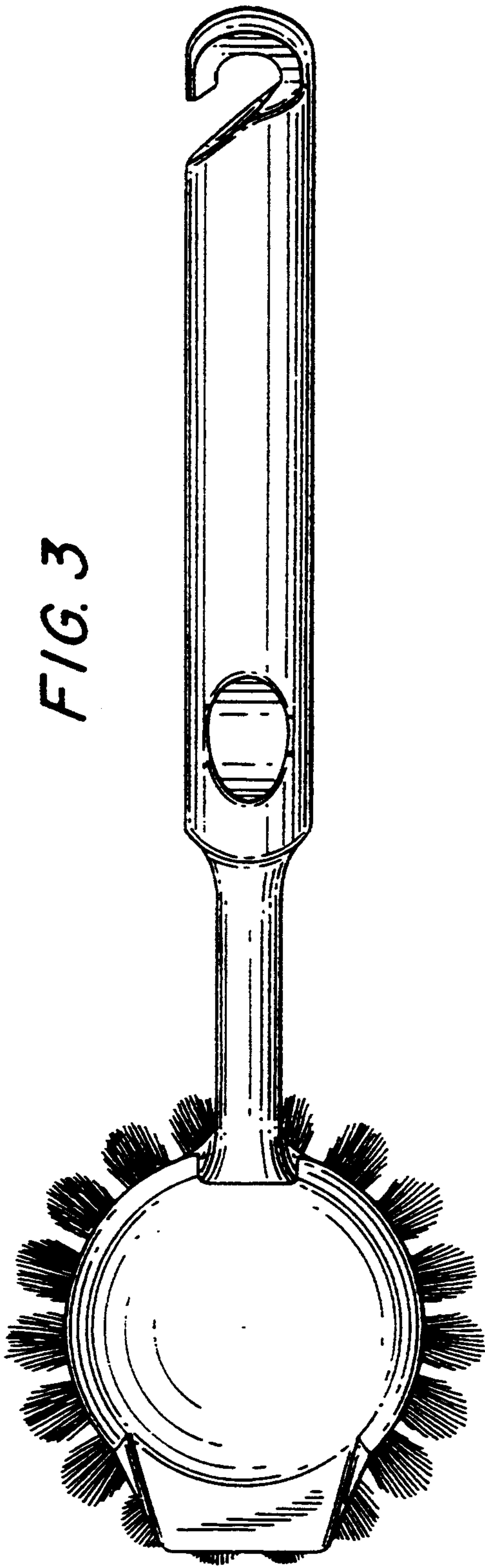


FIG. 3

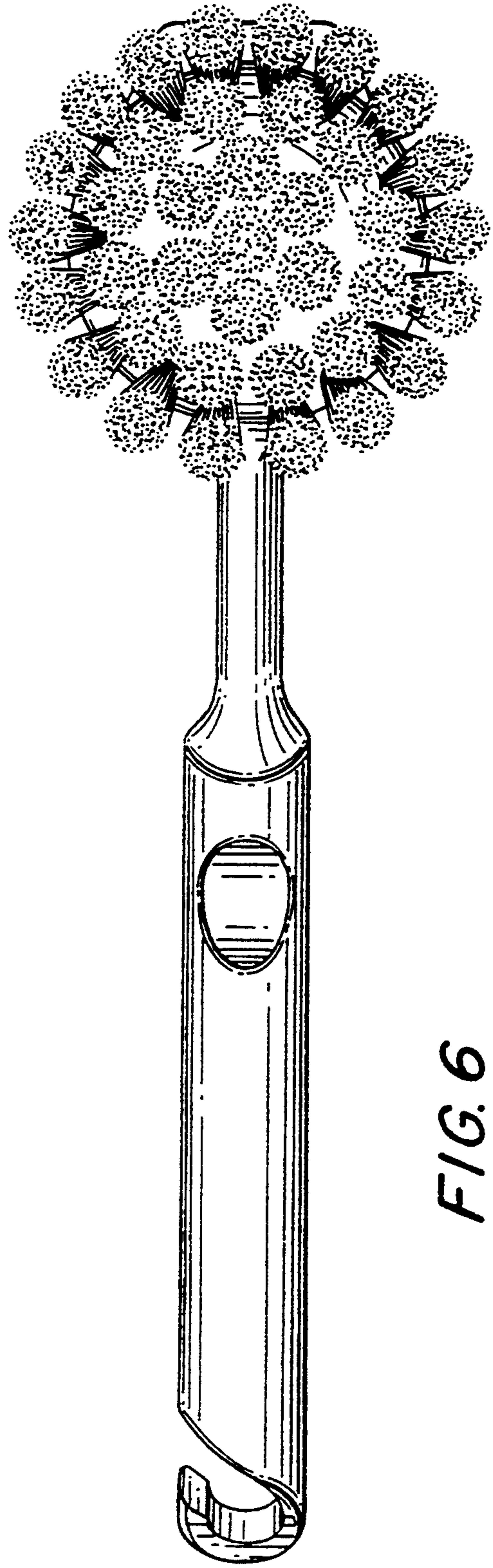


FIG. 6

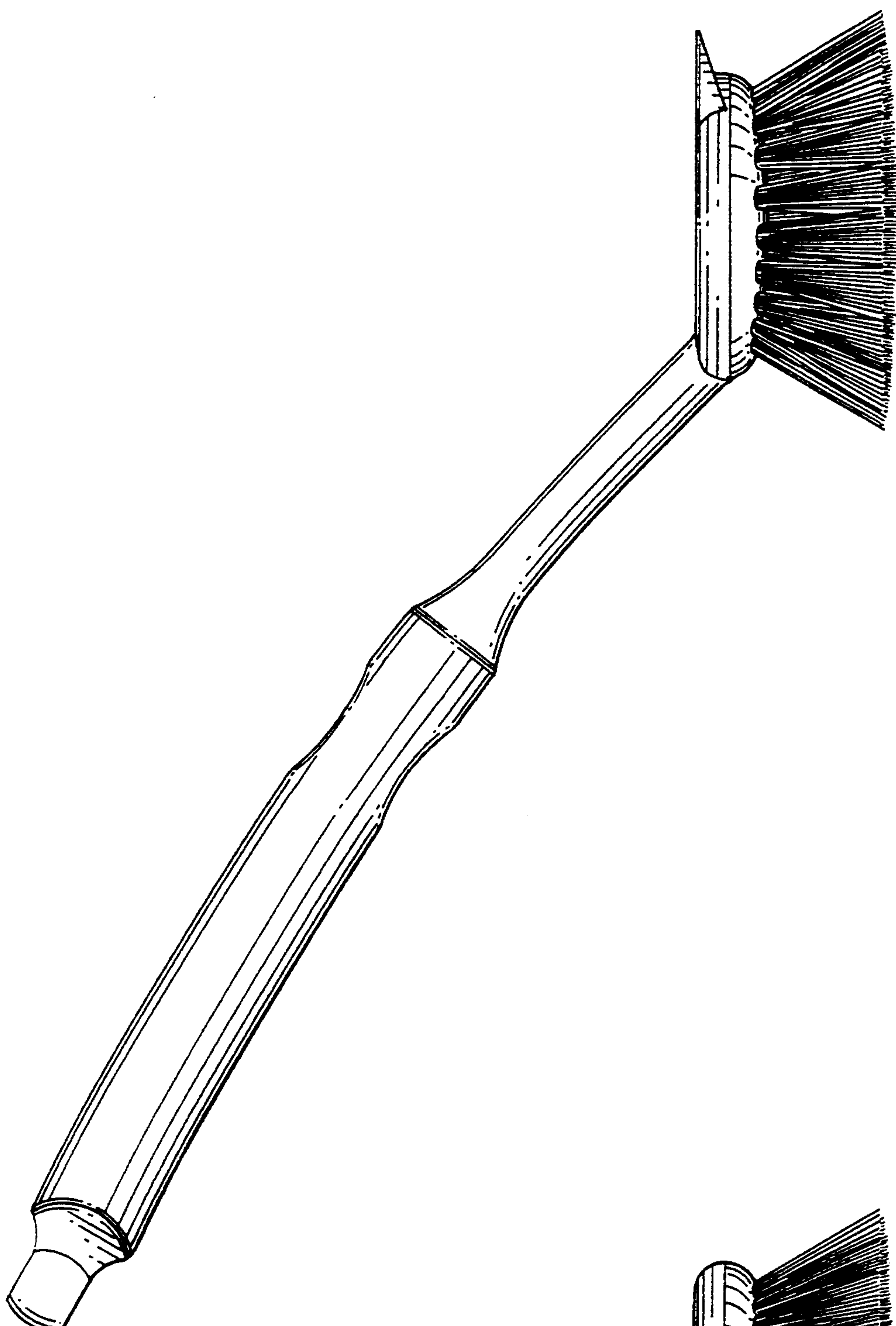


FIG. 4

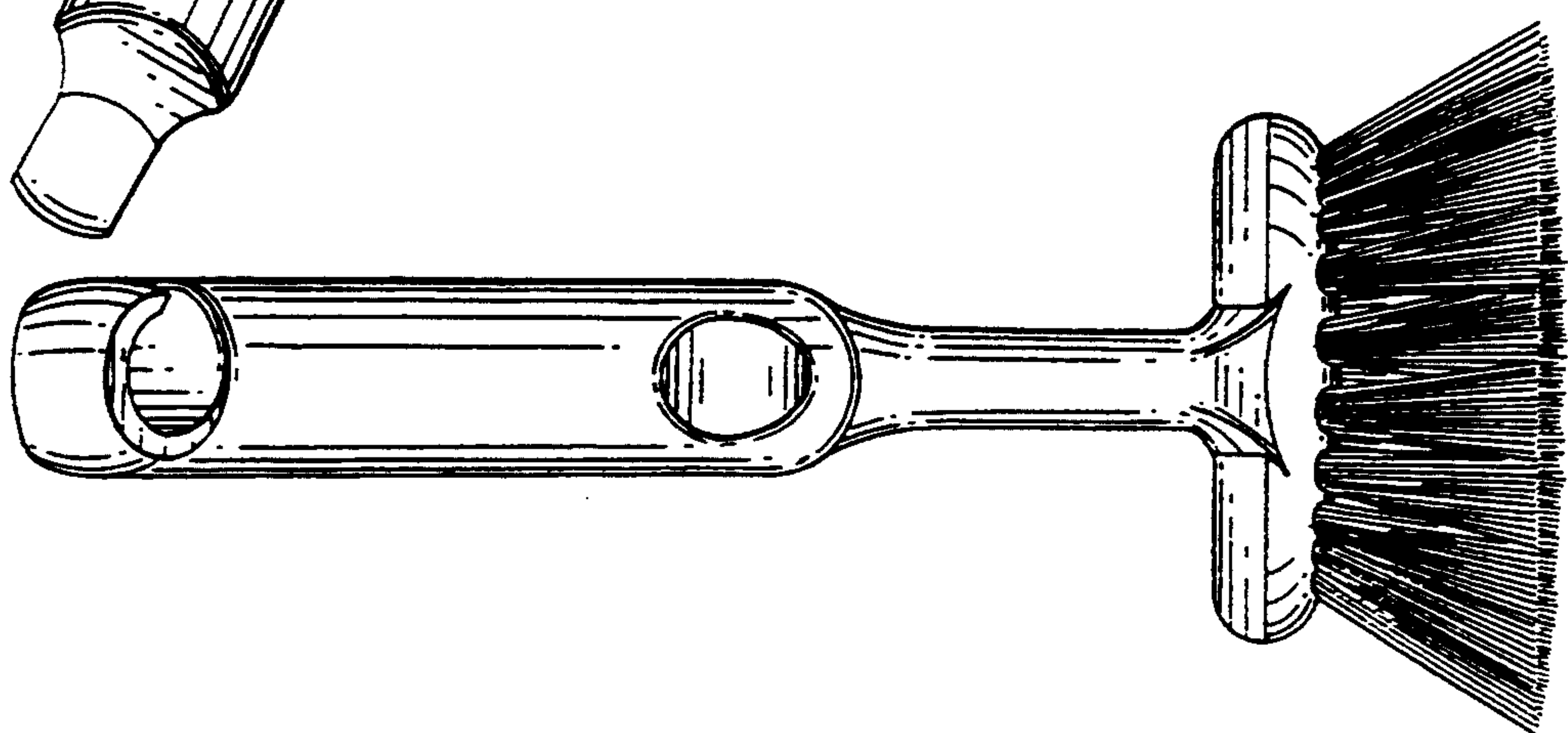


FIG. 5