



US00D349192S

United States Patent [19] Leung

[11] Patent Number: **Des. 349,192**

[45] Date of Patent: **** Aug. 2, 1994**

[54] **CRATE**

[75] Inventor: **Jhi Hung Leung**, Hong Kong, China

[73] Assignee: **Star Industrial Co., Ltd.**, Hong Kong, China

[**] Term: **14 Years**

[21] Appl. No.: **880,367**

[22] Filed: **May 6, 1992**

[30] **Foreign Application Priority Data**

Nov. 20, 1991 [GB]	United Kingdom	2019081
[52] U.S. Cl.		D3/313
[58] Field of Search	229/106, 108, 109; 206/508, 509, 518, 564; 220/23.6; D34/40, 42, 43, 45, 46, 27	

[56] **References Cited**

U.S. PATENT DOCUMENTS

D. 236,168	7/1975	Johnson	D9/424 X
D. 239,337	3/1976	Johnson	D34/40
D. 249,185	8/1978	Carroll et al.	D34/40
D. 304,637	11/1989	Chabot	D34/40
3,870,188	3/1975	Buffett	220/675
4,093,070	6/1978	Stahl	206/518 X
5,035,326	7/1991	Stahl	206/511 X

OTHER PUBLICATIONS

LewiSystems Product Selection Guide, p. 24.
LewiSystems Product Selection Guide, p.28.

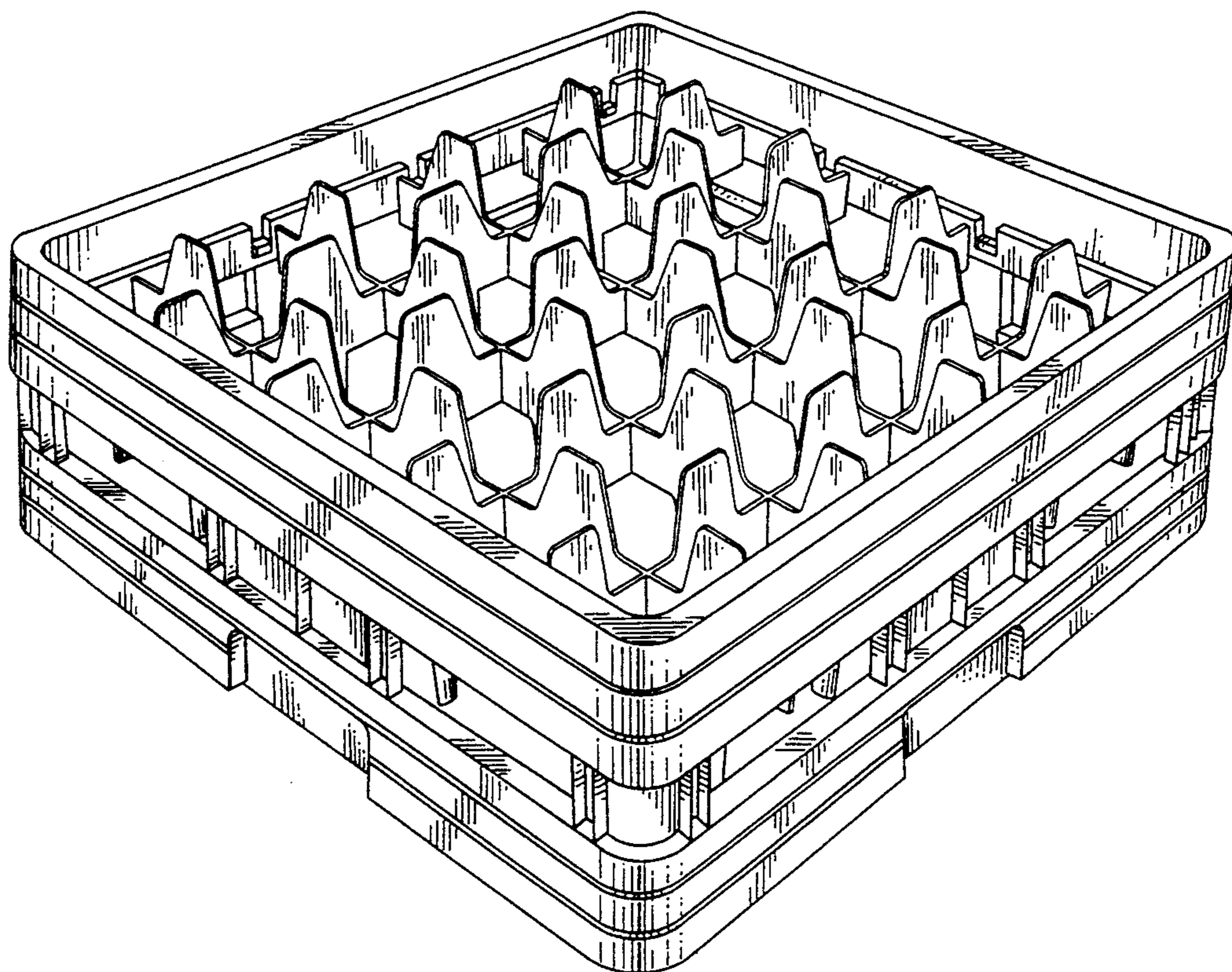
Primary Examiner—B. J. Bullock
Assistant Examiner—Cheri Cohen
Attorney, Agent, or Firm—Larson & Taylor

[57] **CLAIM**

The ornamental design for a crate, as shown and described.

DESCRIPTION

FIG. 1 is a perspective view of a crate in a fully assembled condition showing my new design;
 FIG. 2 is a side elevational view thereof, all sides being identical;
 FIG. 3 is a perspective view of the upper section shown separately for clarity of illustration;
 FIG. 4 is a side elevational view of the upper section thereof;
 FIG. 5 is a top plan view of the upper section thereof;
 FIG. 6 is a bottom plan view of the upper section thereof;
 FIG. 7 is a perspective view of the lower section shown separately for clarity of illustration;
 FIG. 8 is a side elevational view of the lower section thereof;
 FIG. 9 is a bottom plan view of the lower section thereof; and,
 FIG. 10 is a top plan view of the lower section.



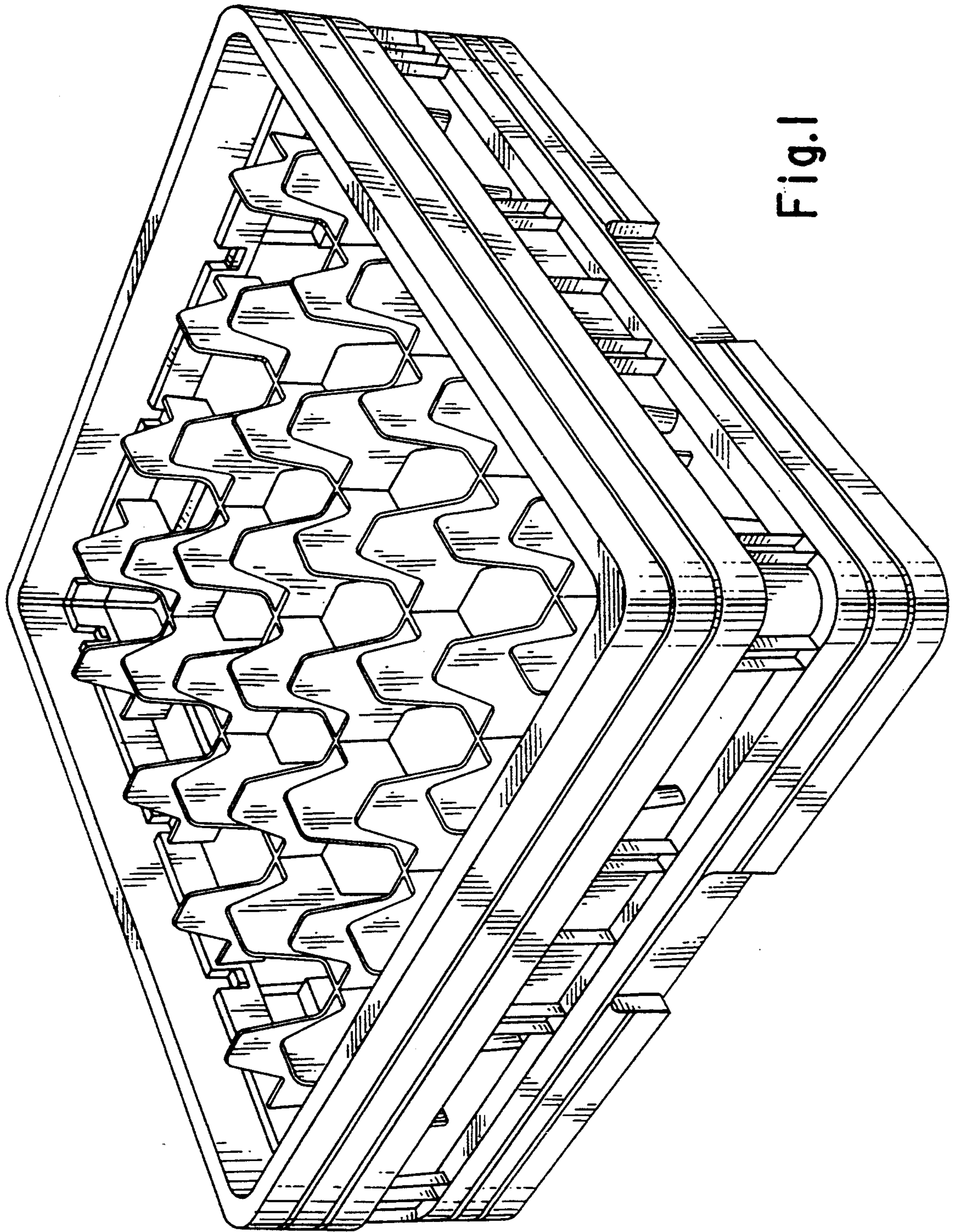


Fig. 1

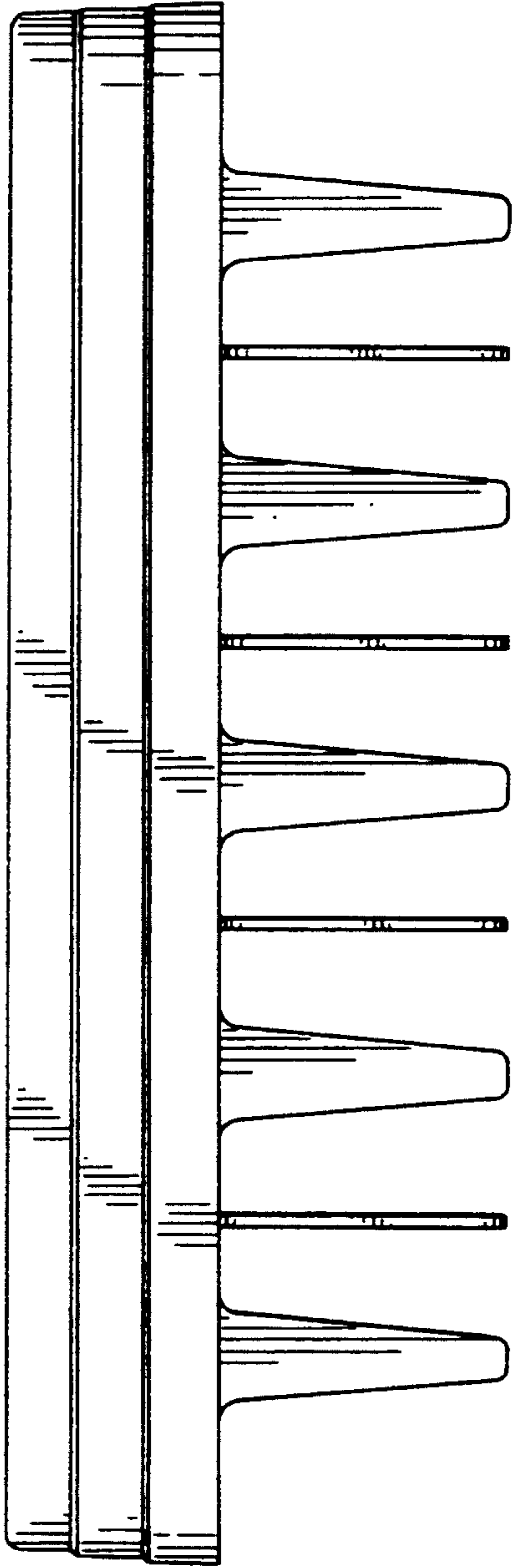


Fig.4

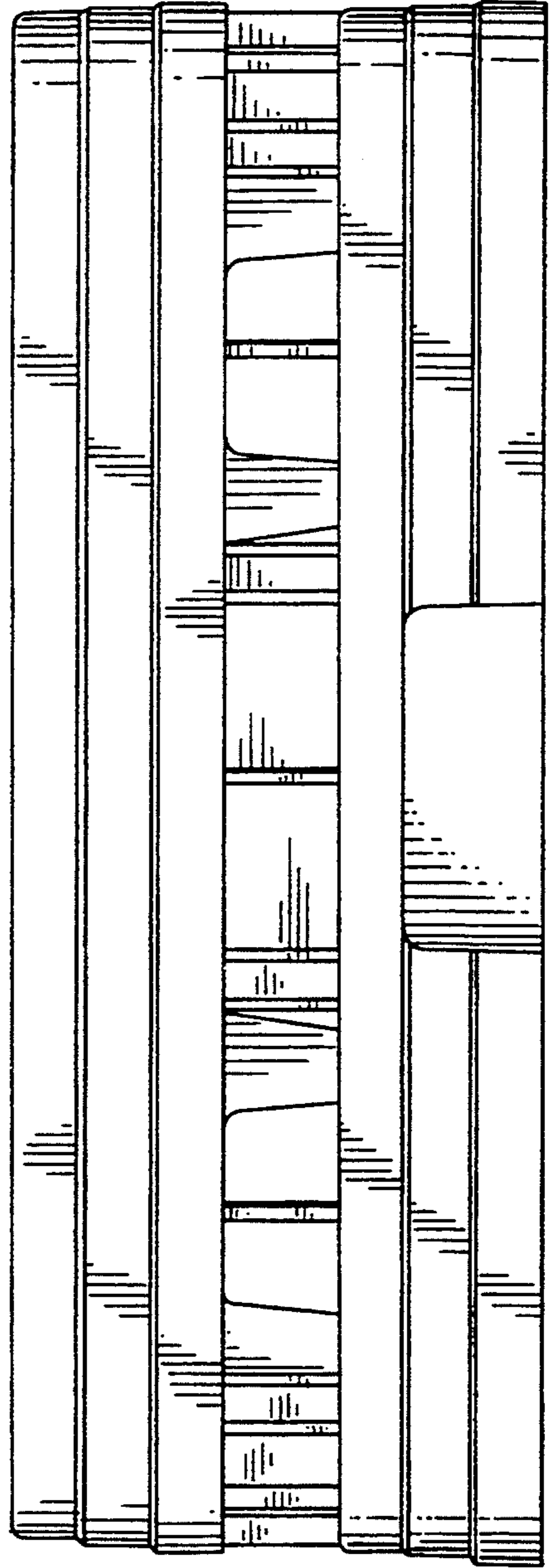


Fig.2

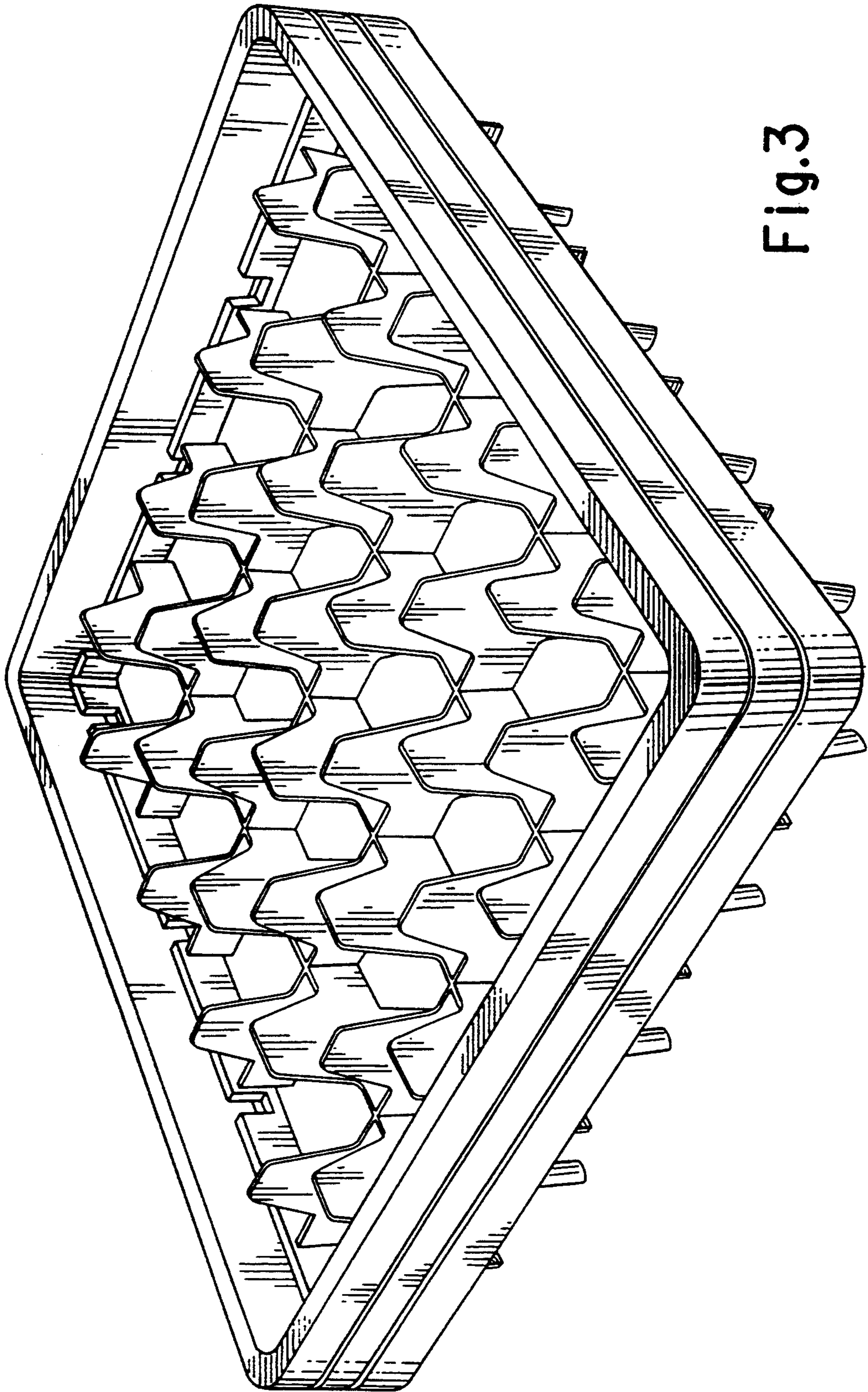


Fig.3

Fig.5

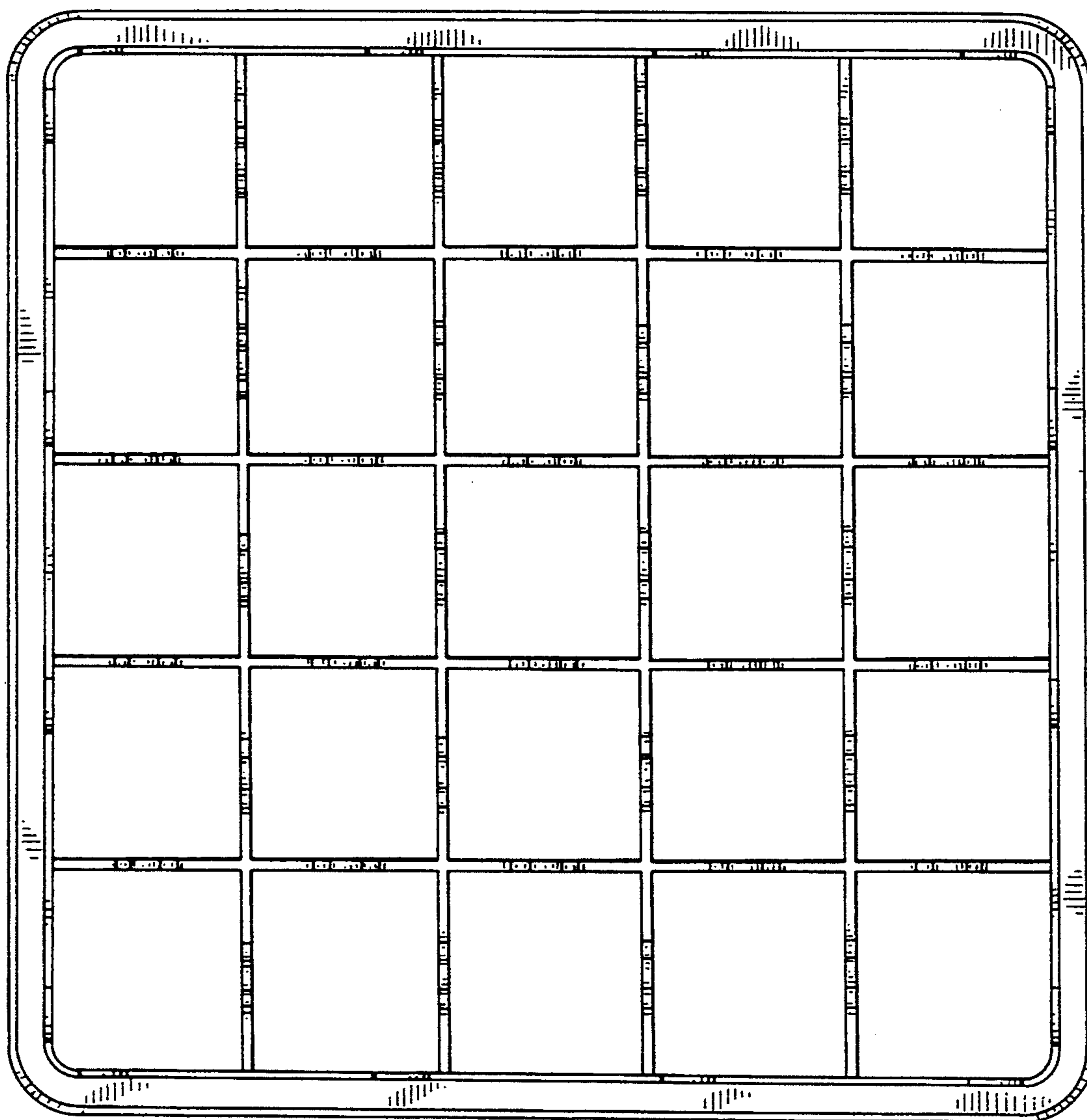
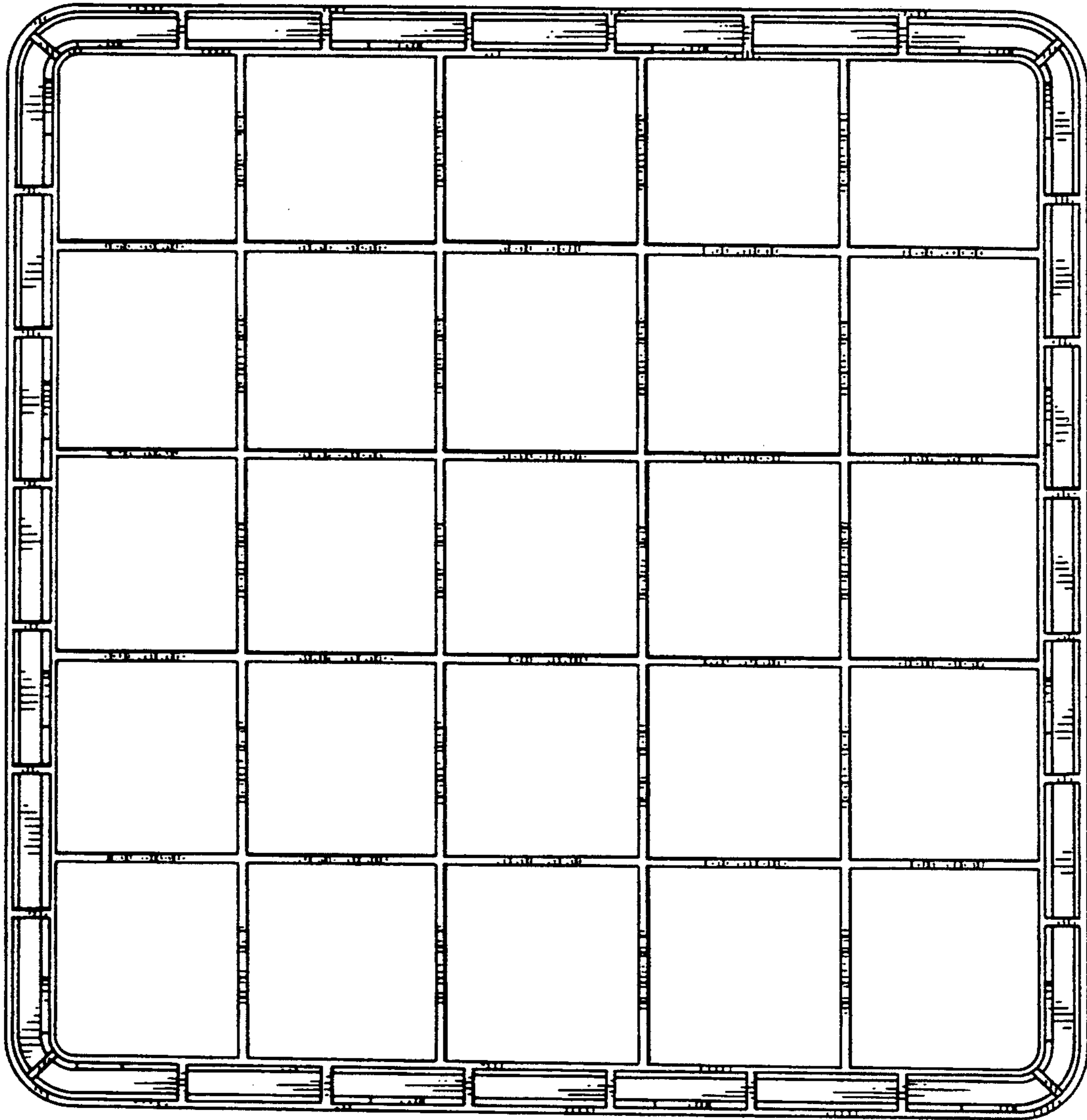


Fig.6



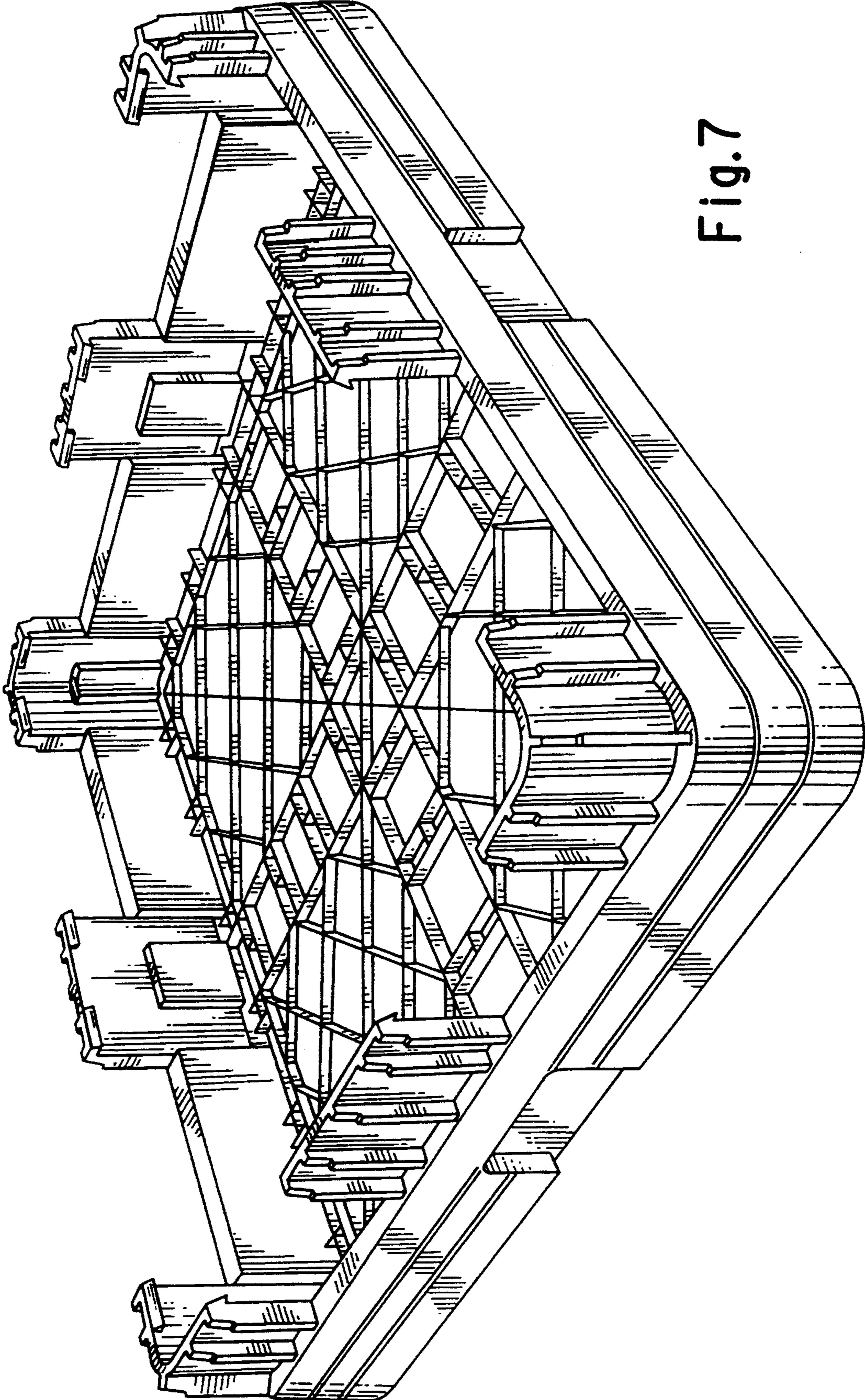


Fig. 7

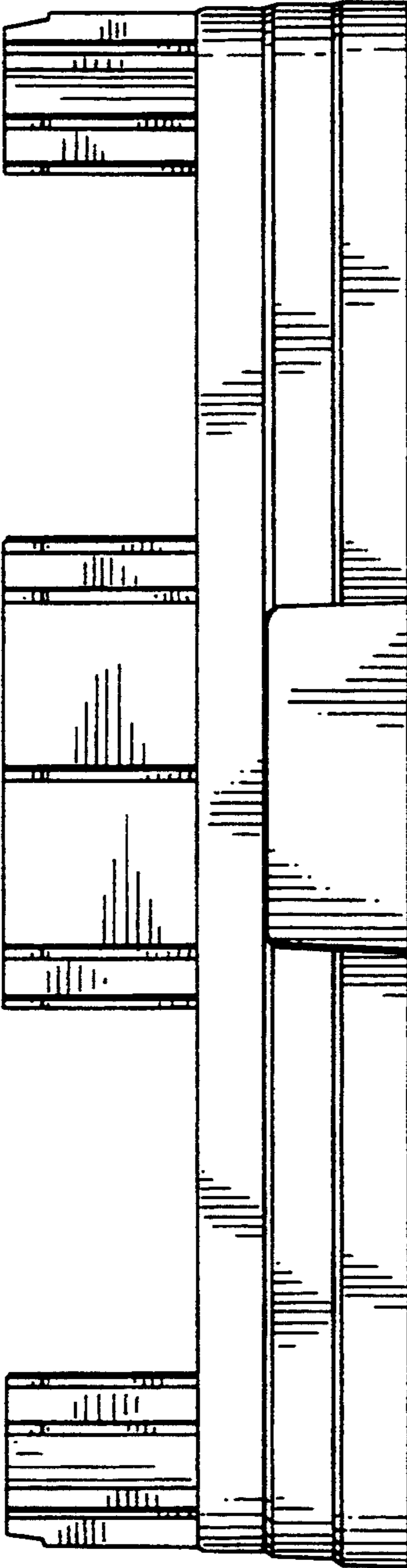


Fig.8

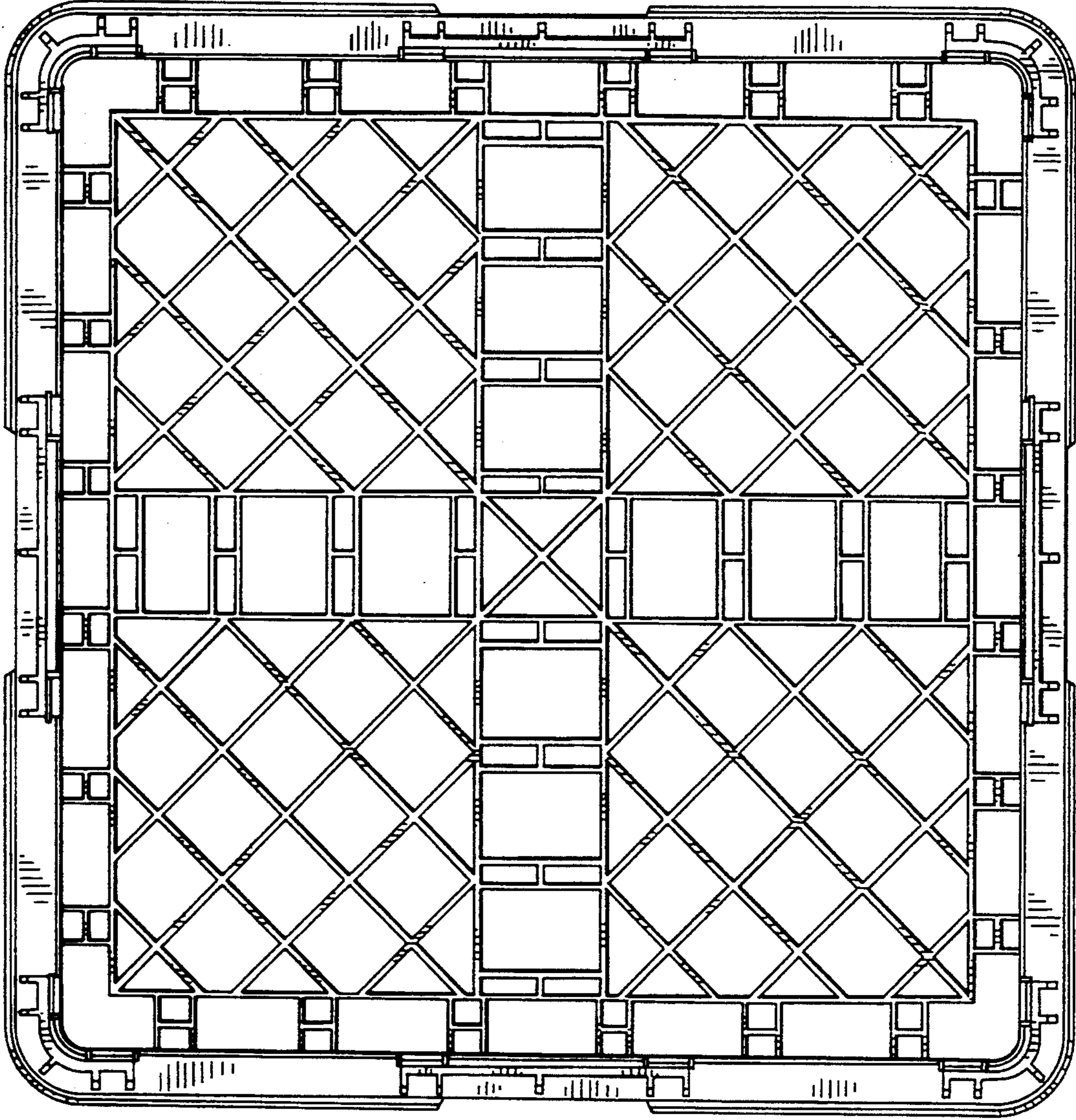


Fig.9

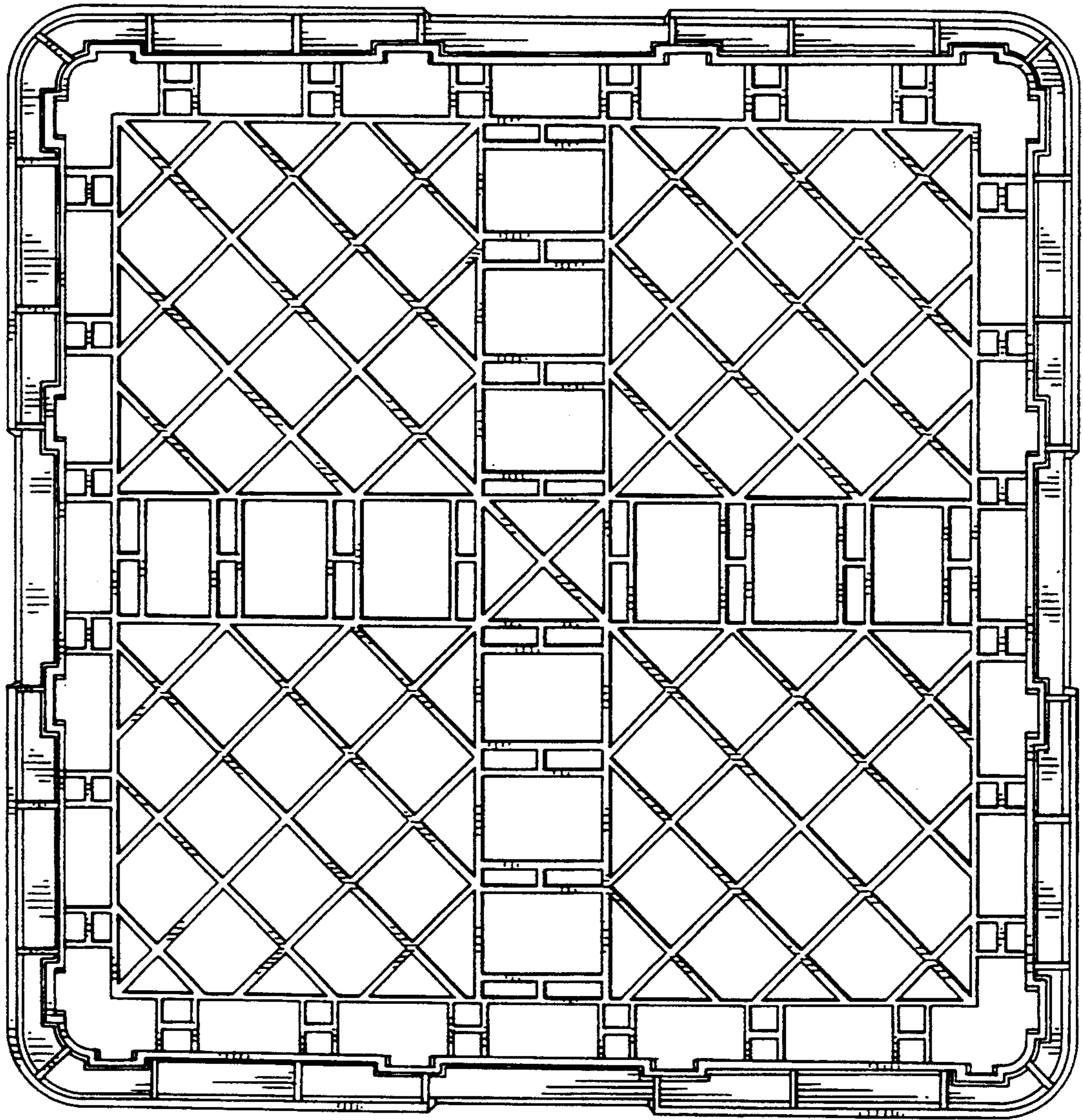


Fig.10