



US00D349189S

United States Patent [19] Hong

[11] Patent Number: **Des. 349,189**

[45] Date of Patent: **** Aug. 2, 1994**

[54] **KEY HOLDER**

3,589,155 3/1969 Kamp 70/459
3,893,315 7/1975 Kamp 70/456 R

[75] Inventor: **Seung D. Hong**, Seoul, Rep. of Korea

[73] Assignee: **Logos Co., Ltd.**, Kyunggi, Rep. of Korea

[**] Term: **14 Years**

[21] Appl. No.: **14,778**

[22] Filed: **Nov. 2, 1993**

[30] **Foreign Application Priority Data**

Jul. 8, 1993 [KR] Rep. of Korea 93-13537

[52] U.S. Cl. **D3/208**

[58] Field of Search D3/61-65,
D3/103, 207-212; 70/456 B, 456 R, 457, 458,
460, 459; D18/10; D20/18

[56] **References Cited**

U.S. PATENT DOCUMENTS

- D. 246,154 10/1977 Tsang D3/210
- D. 303,997 10/1989 Grossiord D3/211
- D. 320,957 10/1991 Yuki D11/200 X
- 2,511,651 6/1950 Schlitz D3/207
- 3,111,152 11/1963 Goessling D3/207
- 3,126,729 3/1964 Leopoldi D3/61

OTHER PUBLICATIONS

Hong Kong Enterprise Jun. 1991 p. 693 Item #KC713, upper left of page.

Primary Examiner—A. Hugo Word
Assistant Examiner—R. Seifert
Attorney, Agent, or Firm—Fisher & Associates

[57] **CLAIM**

The ornamental design for a key holder, as shown and described.

DESCRIPTION

FIG. 1 is a perspective view of an ornamental design for a key holder according to the present invention; FIG. 2 is a perspective view of thereof in use; FIG. 3 is a top plan view of thereof; FIG. 4 is a bottom plan view thereof; FIG. 5 is a front view of thereof; FIG. 6 is a right side view of thereof, the left side being a mirror image thereof; FIG. 7 is a rear side view of thereof; and, FIG. 8 is a cross-sectioned view taken along the lines 8—8 of FIG. 5.



FIG. 1

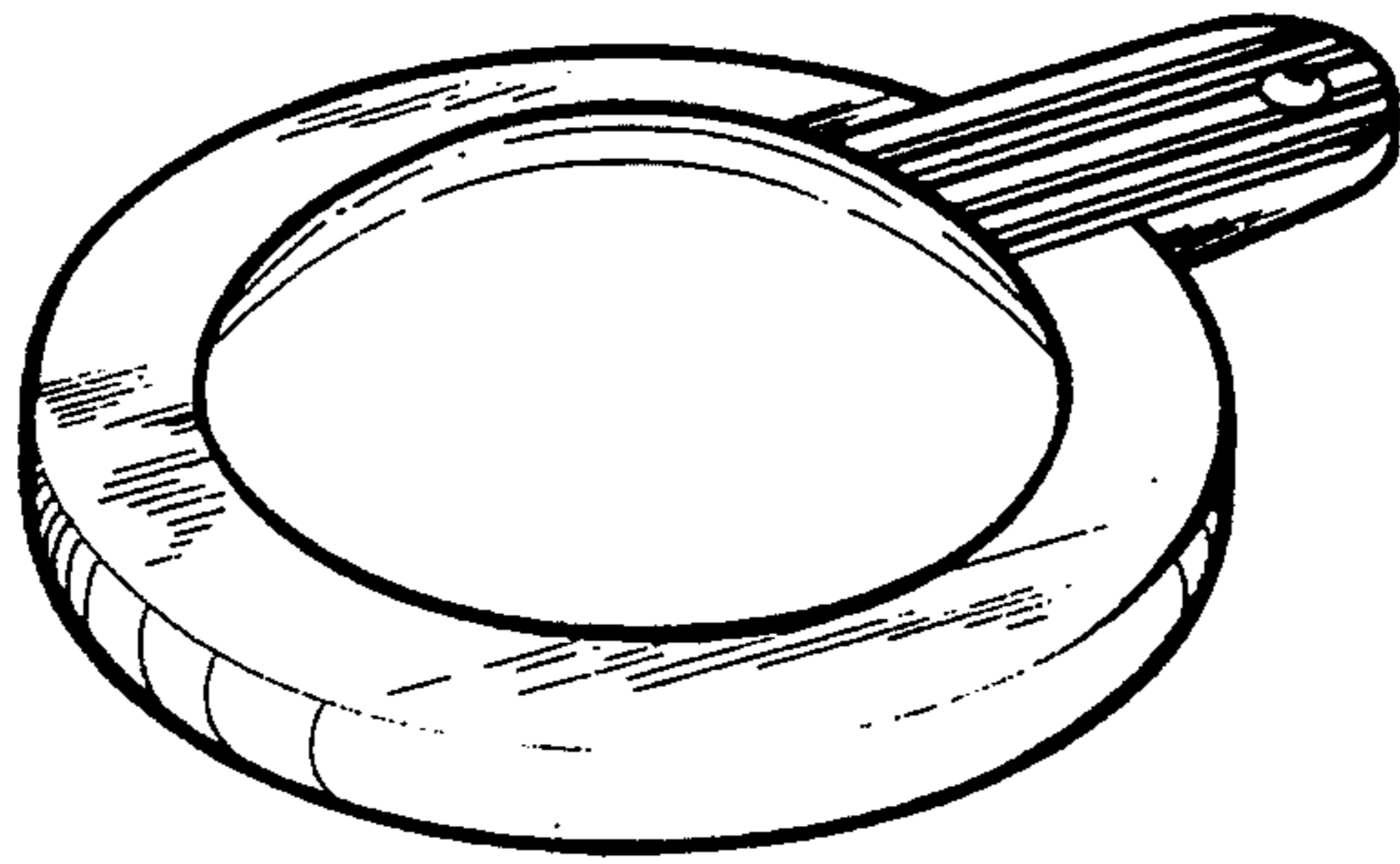


FIG. 2

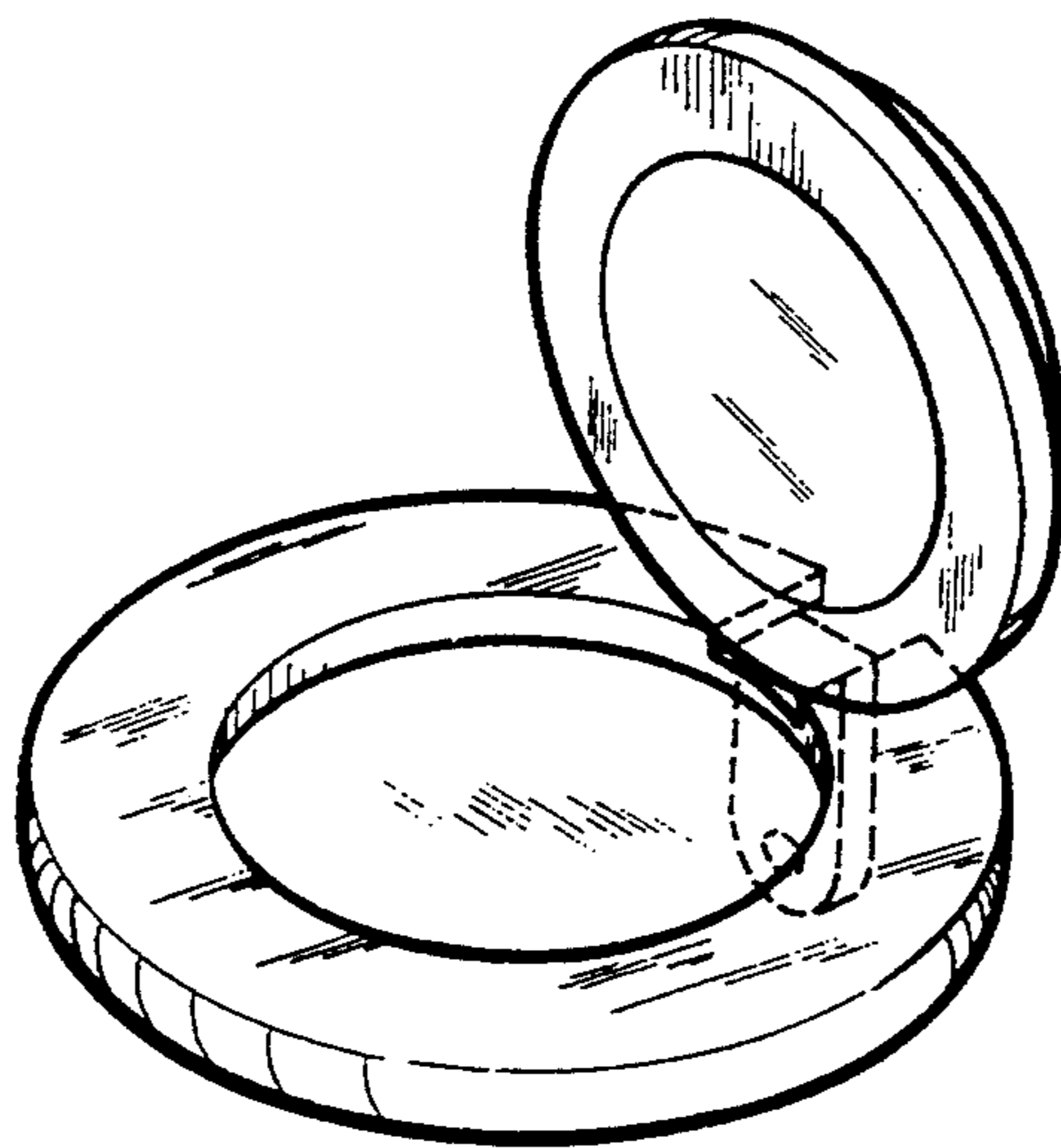


FIG.3



FIG.4



FIG.5

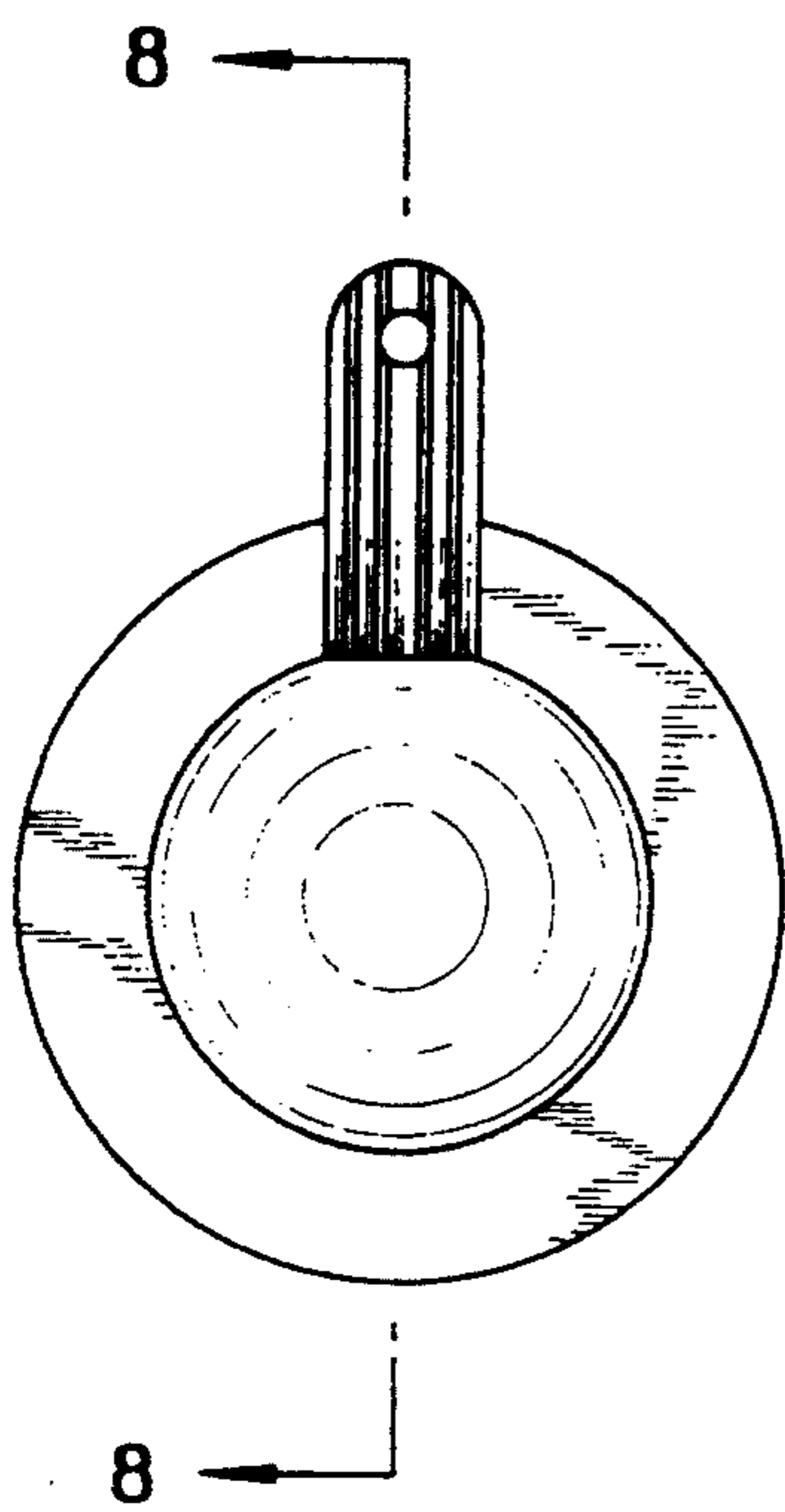


FIG.6



FIG.7

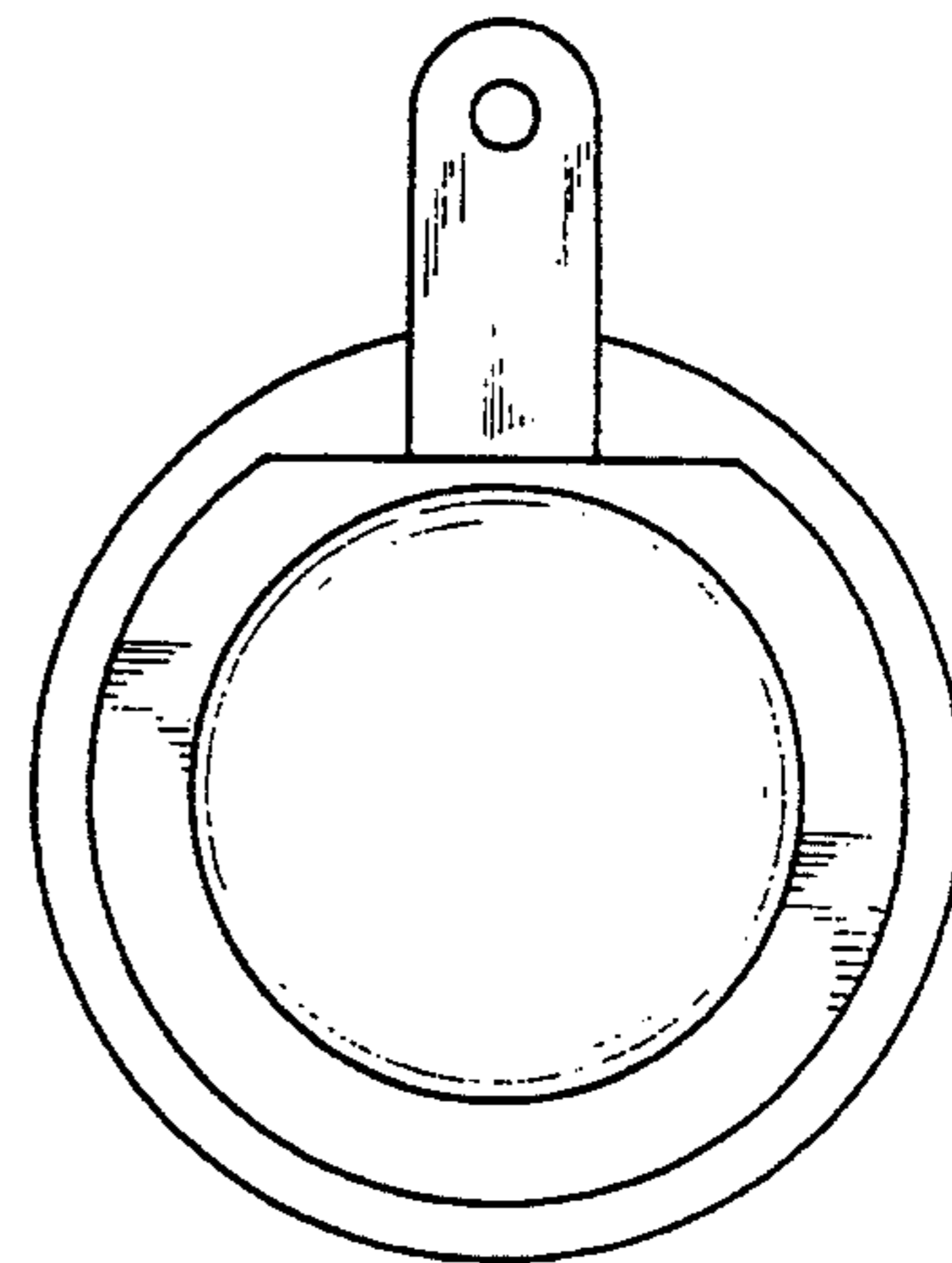


FIG.8

