



US00D349173S

United States Patent [19] Fellinger

[11] Patent Number: **Des. 349,173**

[45] Date of Patent: **** Jul. 26, 1994**

[54] WALL MOUNTED LIGHT FIXTURE

[76] Inventor: **Linda Fellinger**, 703 Polo Cir., Bryn Mawr, Pa. 19010

[**] Term: **14 Years**

[21] Appl. No.: **887,919**

[22] Filed: **May 26, 1992**

[52] U.S. Cl. **D26/85**

[58] Field of Search 362/147, 432, 218, 220, 362/221, 222, 223; D26/72, 89-92, 75, 76, 77, 78

[56] **References Cited**

U.S. PATENT DOCUMENTS

D. 308,260	5/1990	Shemitz	D26/85
1,888,734	11/1932	McCabe	362/147 X
2,254,718	9/1941	Welch	362/220 X
3,069,537	12/1962	Dayton et al.	362/222
4,796,169	1/1989	Shemitz	362/432 X

Primary Examiner—Susan J. Lucas

[57] **CLAIM**

The ornamental design for a wall mounted light fixture, as shown and described.

DESCRIPTION

FIG. 1 is a left side perspective view of a wall mounted light fixture showing my new design;

FIG. 2 is a right side perspective view with the adjustable reflector pivoted upwardly to direct light downwardly;

FIG. 3 is a left side perspective view with the adjustable reflector pivoted downwardly to direct light upwardly;

FIG. 4 is a front elevational view with the reflector centered as in FIG. 1;

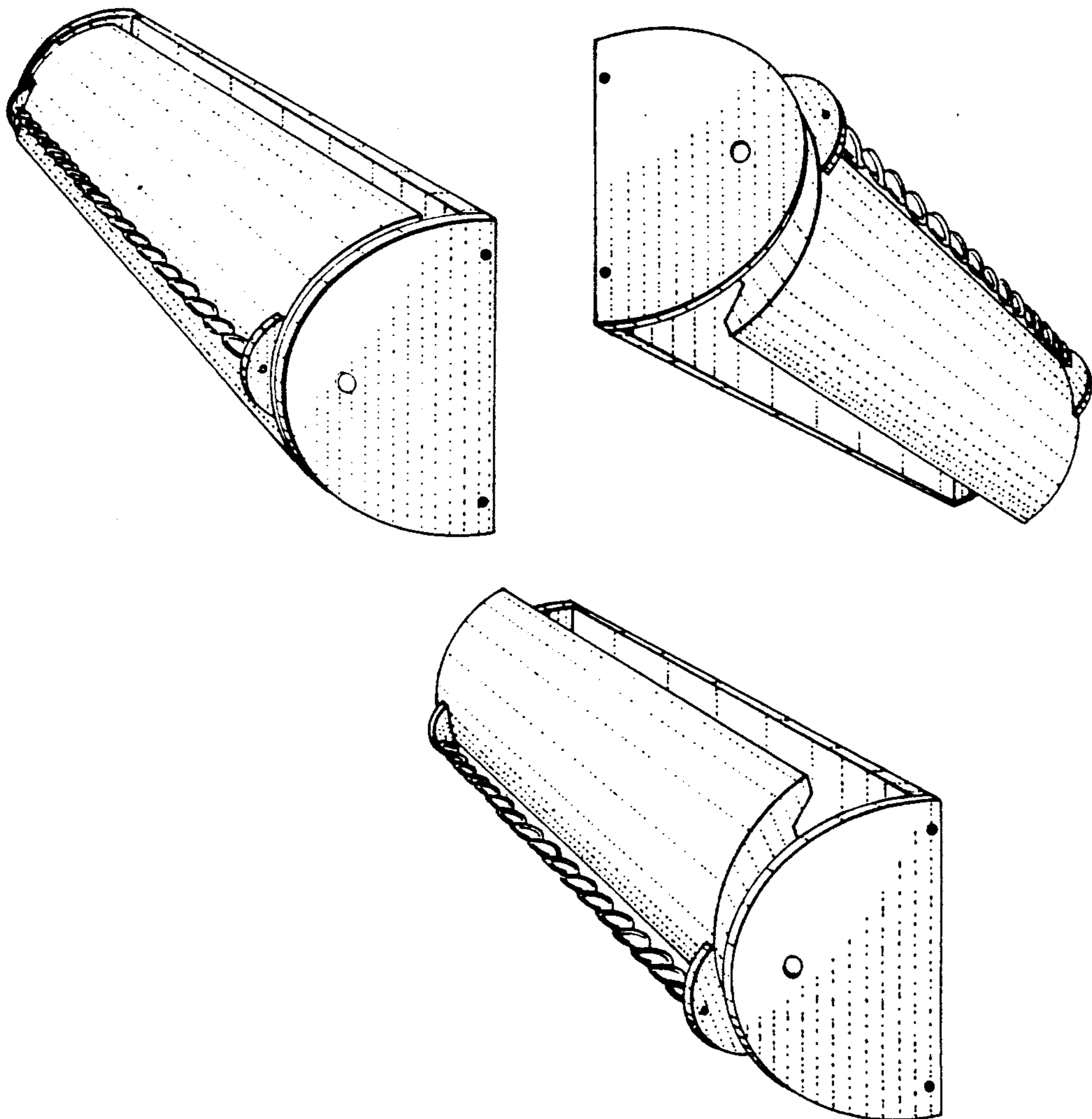
FIG. 5 is a top plan view;

FIG. 6 is a rear elevational view;

FIG. 7 is a bottom plan view;

FIG. 8 is a left side elevational view; and,

FIG. 9 is a right side elevational view.



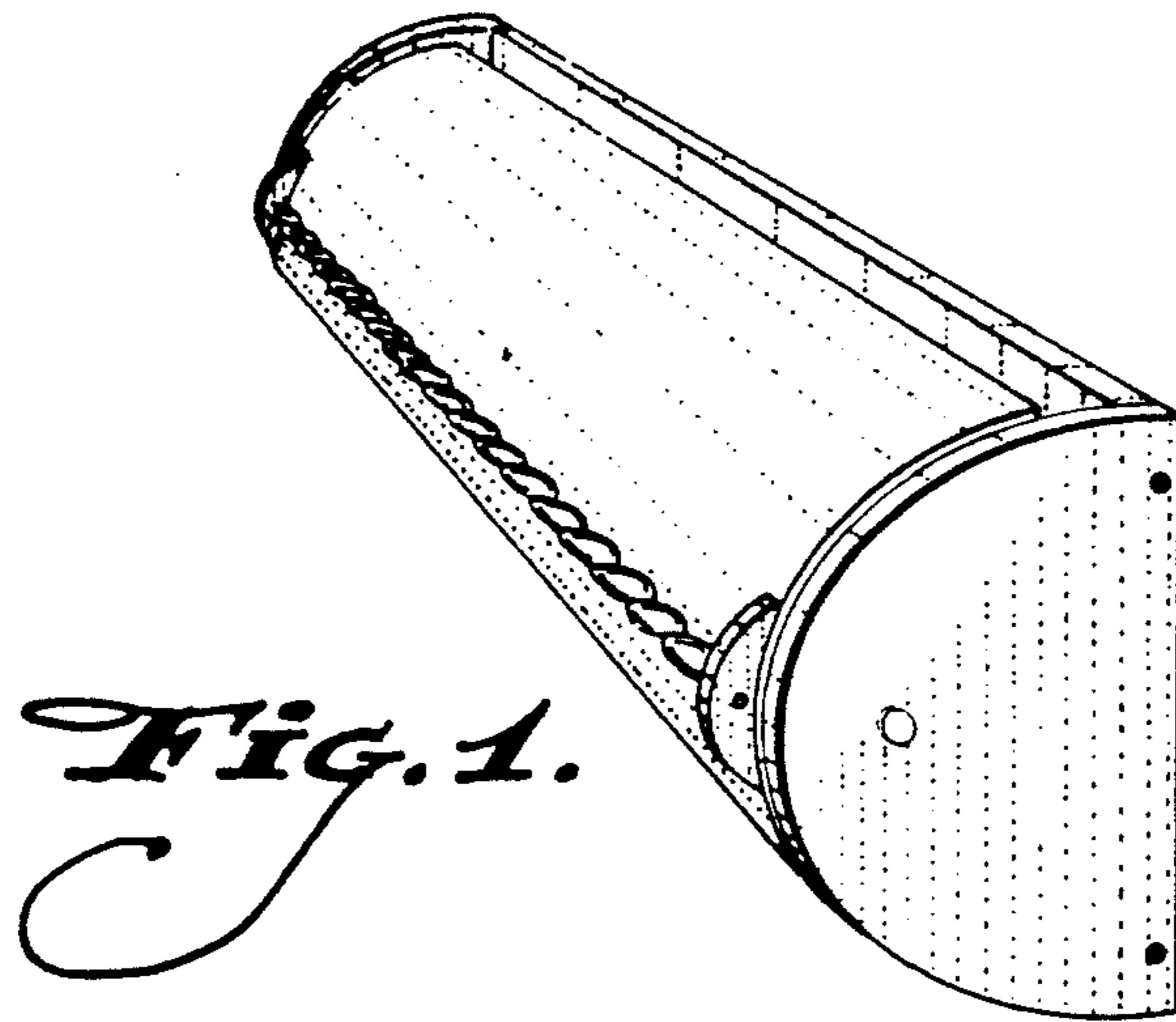


Fig. 1.

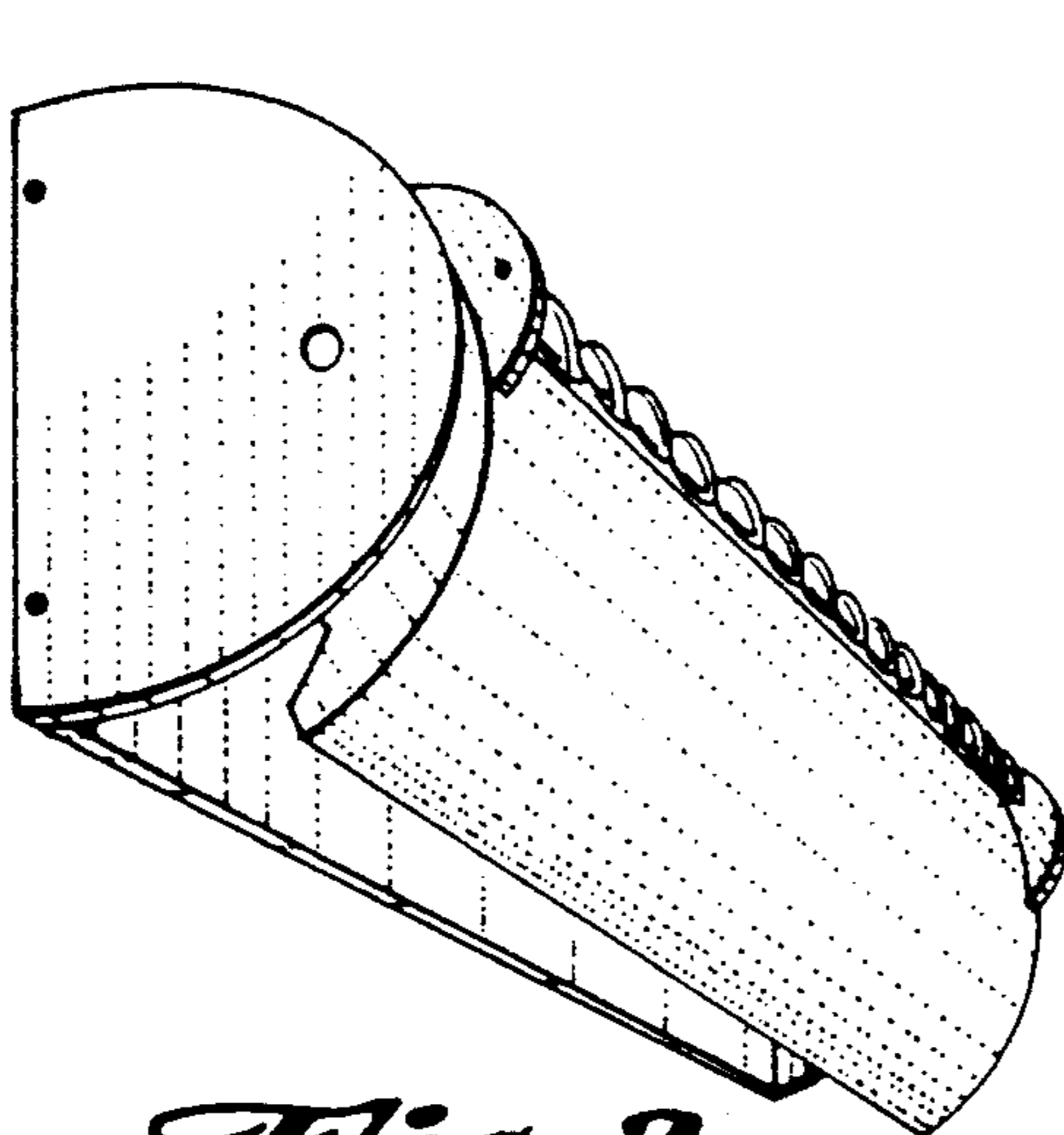


Fig. 2.

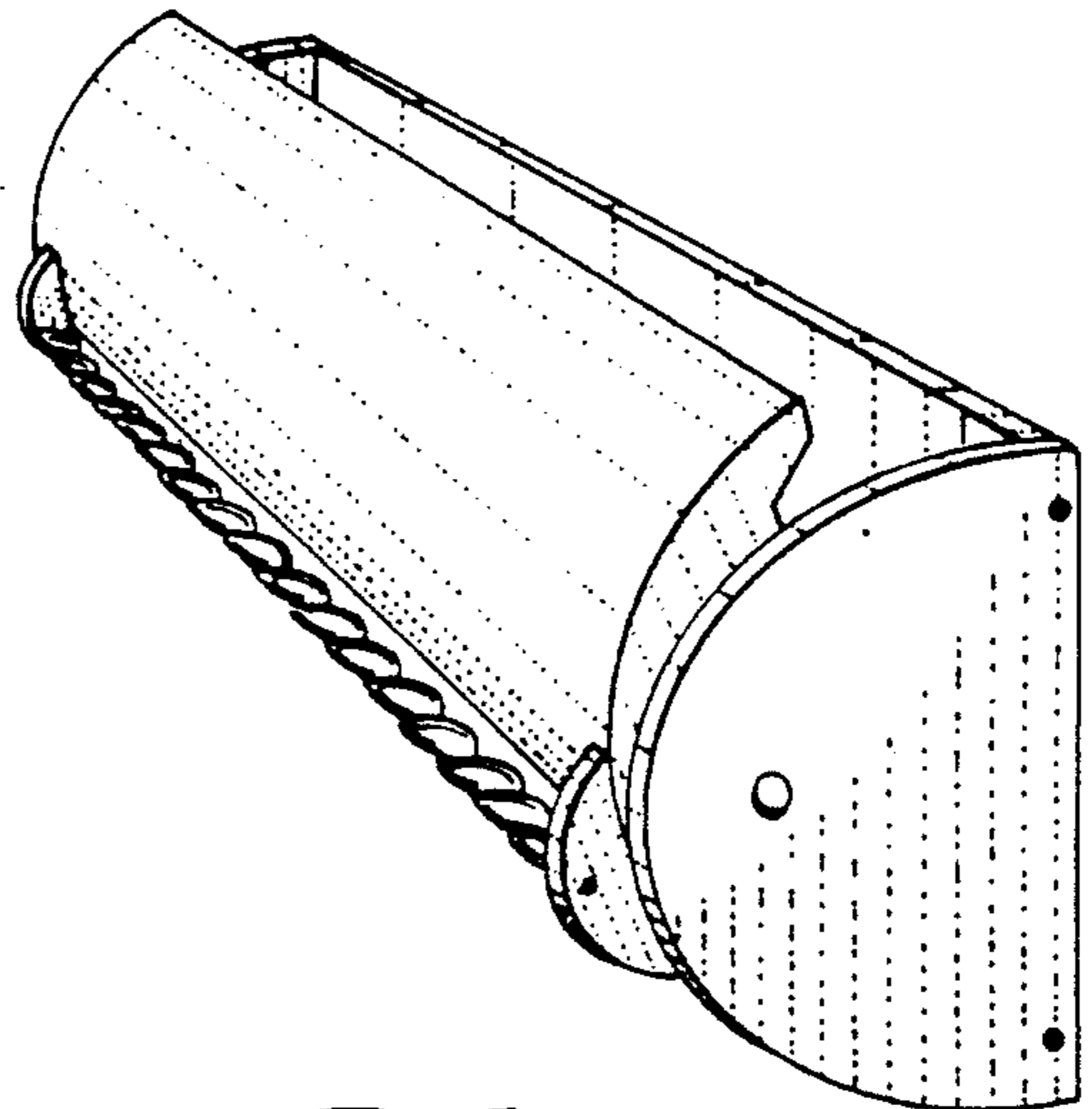


Fig. 3.

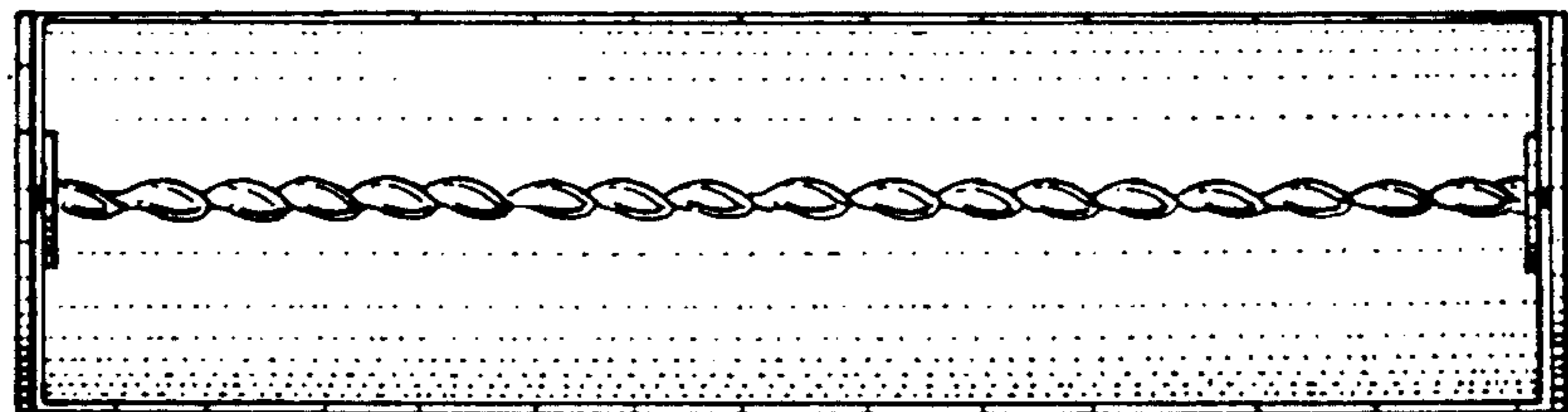


Fig. 4.

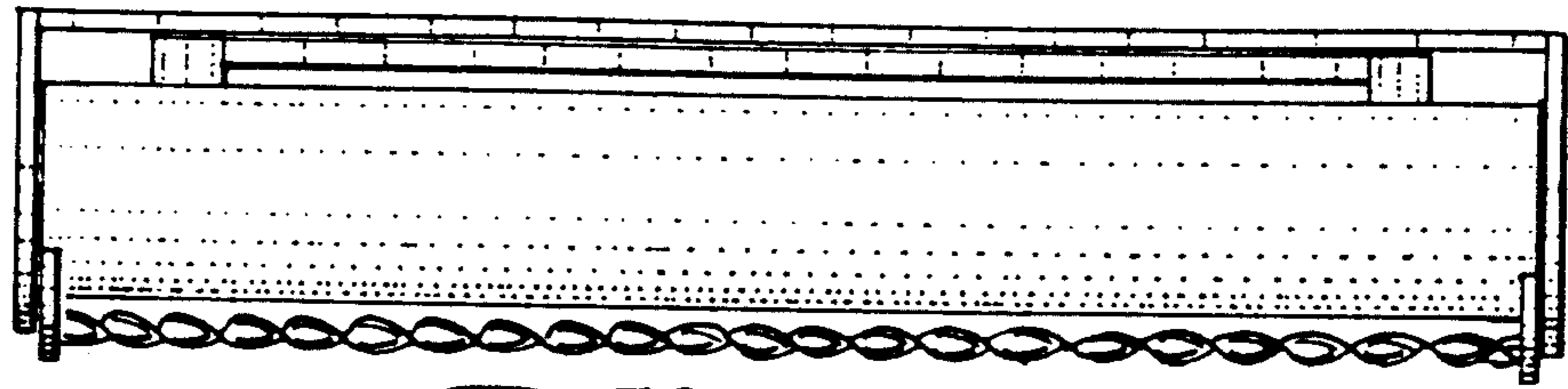


Fig. 5.

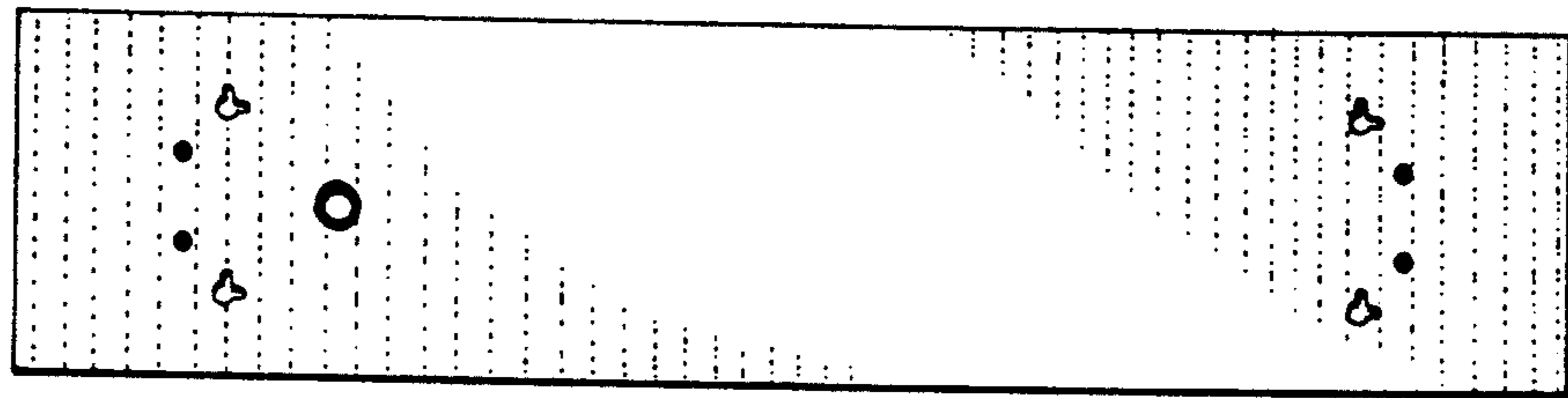


Fig. 6.

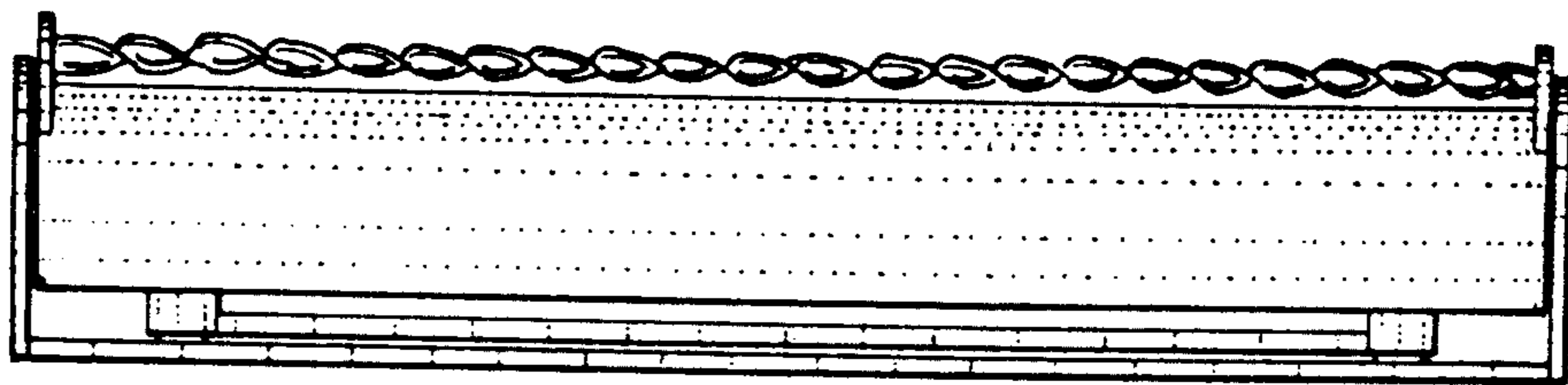


Fig. 7.

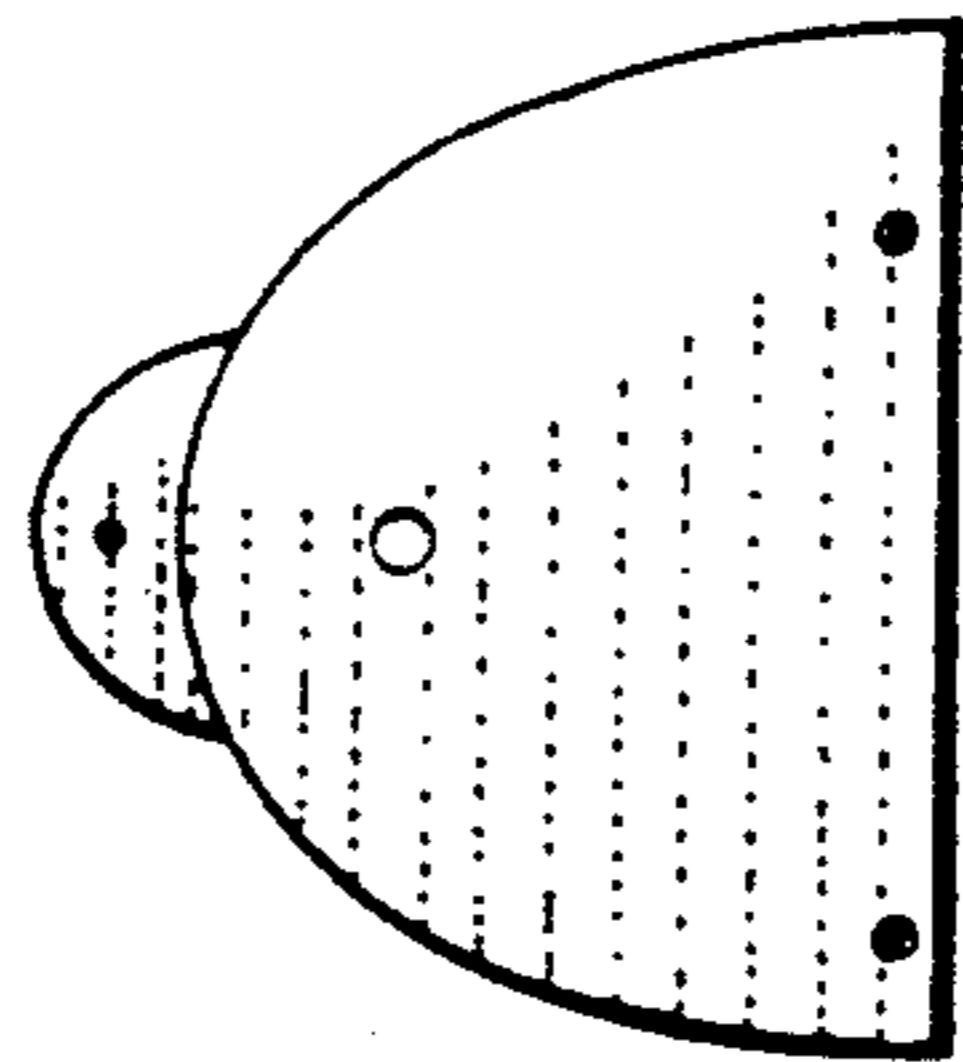


Fig. 8.

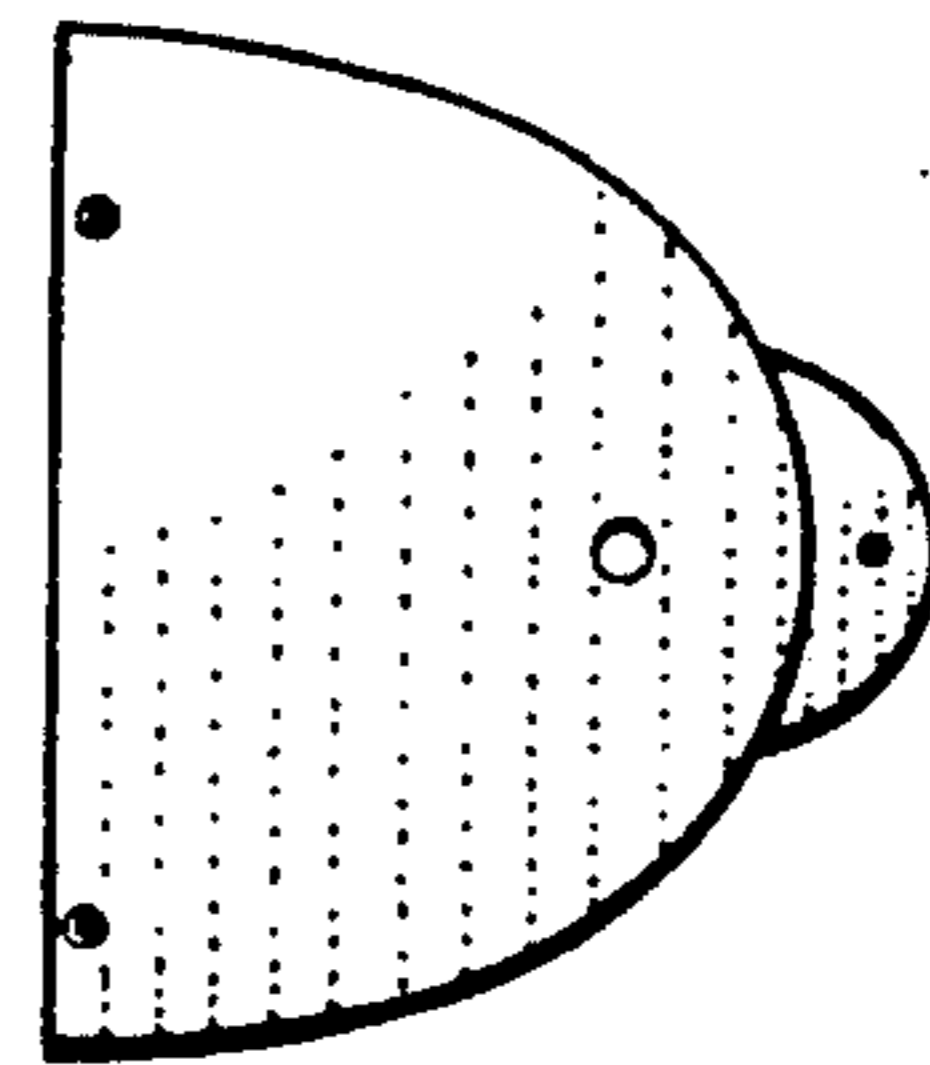


Fig. 9.