



US00D349171S

United States Patent [19]

[11] Patent Number: **Des. 349,171**

Hayes

[45] Date of Patent: **** Jul. 26, 1994**

[54] COMBINED TABLE LAMP AND REVOLVING PHOTOGRAPH HOLDER

[76] Inventor: **George H. Hayes**, 105 Rodney Dr., New Castle, Del. 19720

[**] Term: **14 Years**

[21] Appl. No.: **2,947**

[22] Filed: **Dec. 23, 1992**

[52] U.S. Cl. **D26/56; D26/61; D26/110**

[58] Field of Search **362/410-414, 362/806, 39; D26/61, 93, 102-112, 56**

[56] References Cited

U.S. PATENT DOCUMENTS

- D. 220,642 5/1971 Morehead D26/56
- D. 242,869 12/1976 Ventre D26/56 X
- D. 324,923 3/1992 Branch et al. D26/56

Primary Examiner—Susan J. Lucas
Attorney, Agent, or Firm—Hugh E. Smith

[57] CLAIM

The ornamental design for a combined table lamp and revolving photograph holder, as shown and described.

DESCRIPTION

FIG. 1 is a front elevational view of the combined table lamp and revolving photograph holder showing my new design;

FIG. 2 is a rear elevational view thereof;

FIG. 3 is a left side elevational view thereof;

FIG. 4 is a right side elevational view thereof;

FIG. 5 is a top plan view thereof;

FIG. 6 is a bottom plan view thereof; and,

FIG. 7 is a front elevational view thereof similar to FIG. 1, but showing a lamp bulb, a shade, and a photographic image in broken lines for illustrative purposes only.

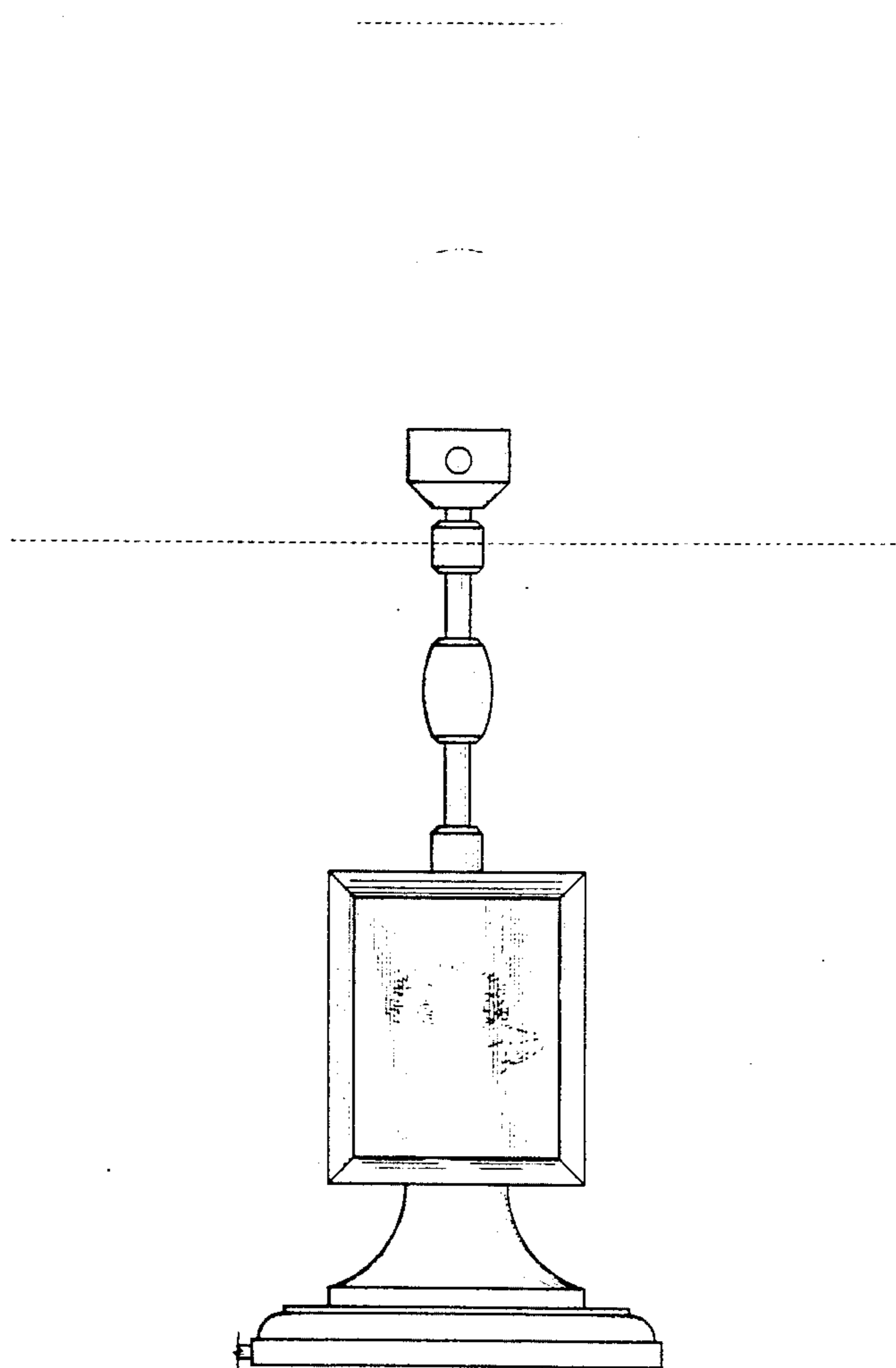
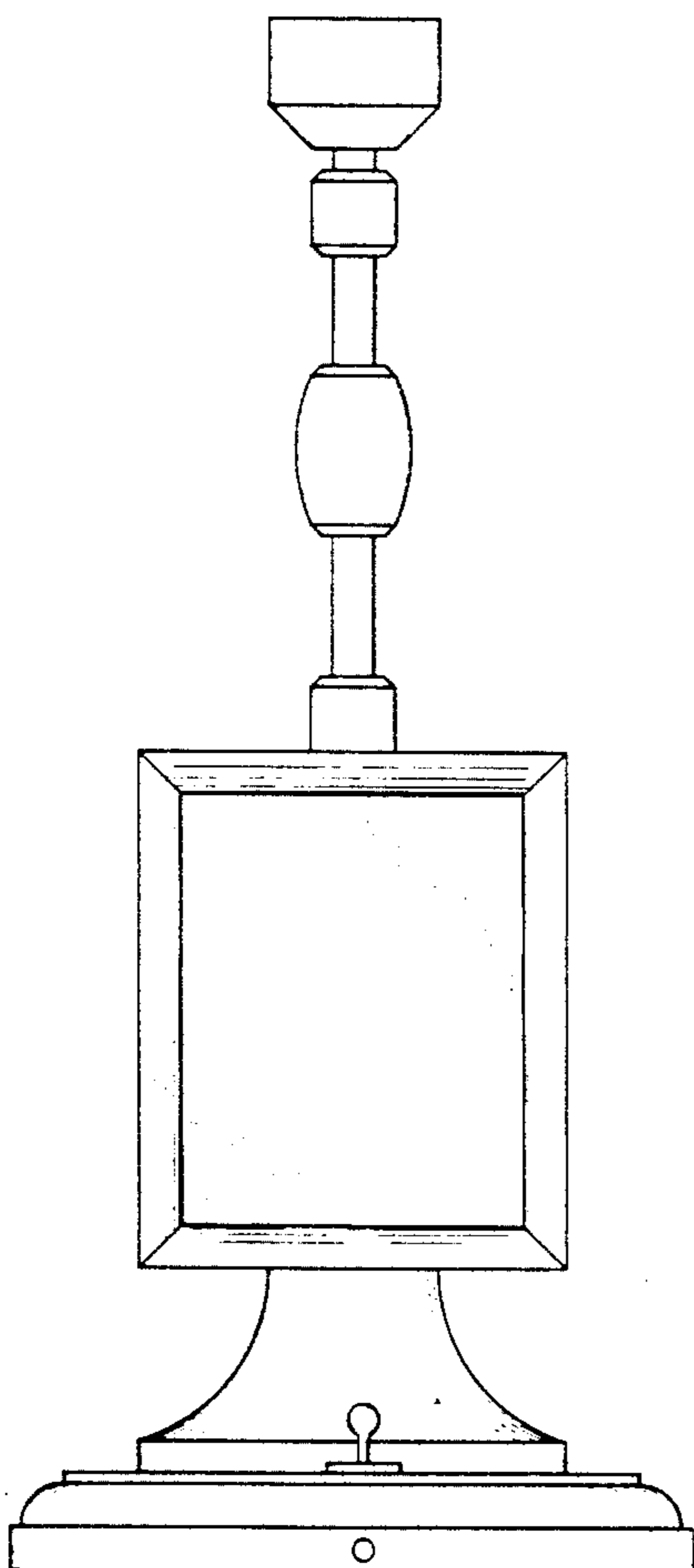


FIG. 1

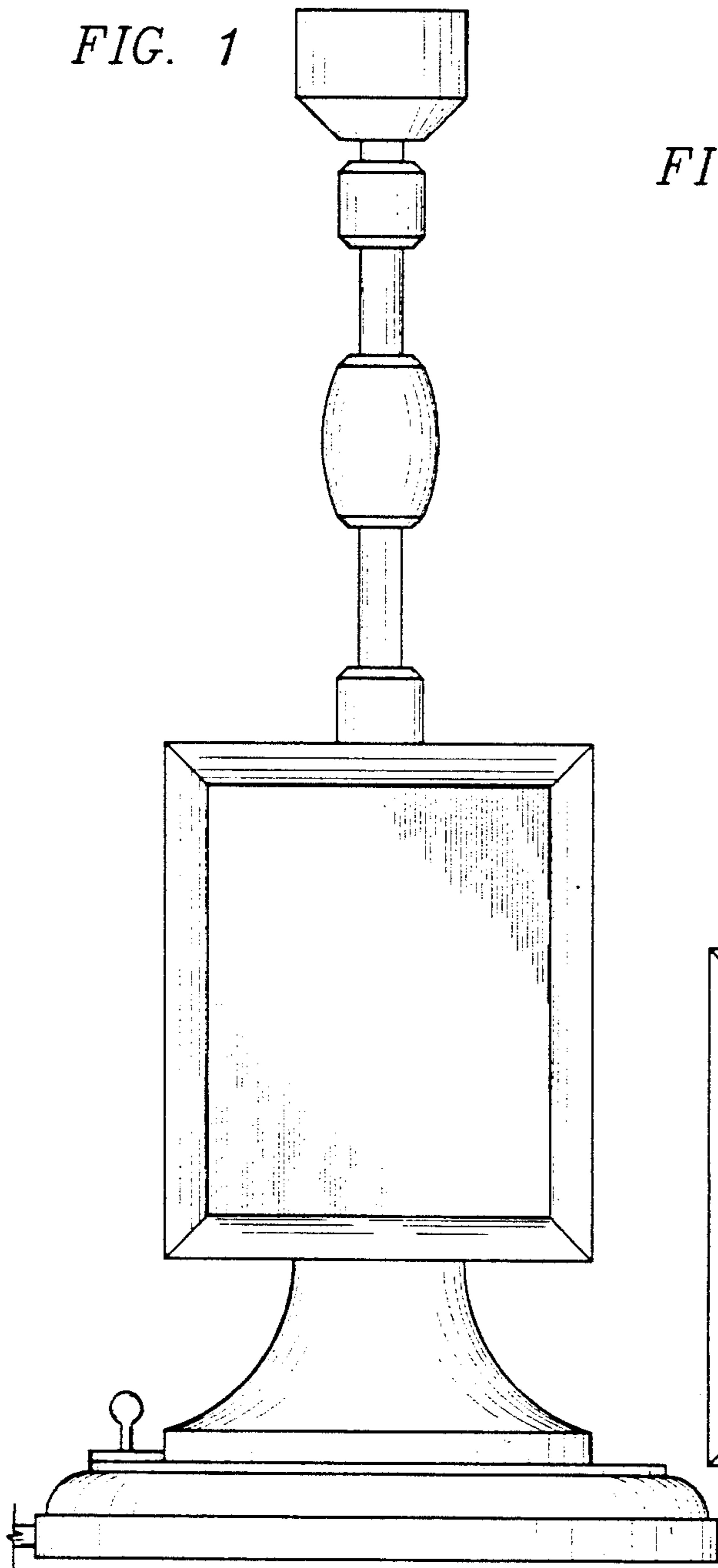


FIG. 2

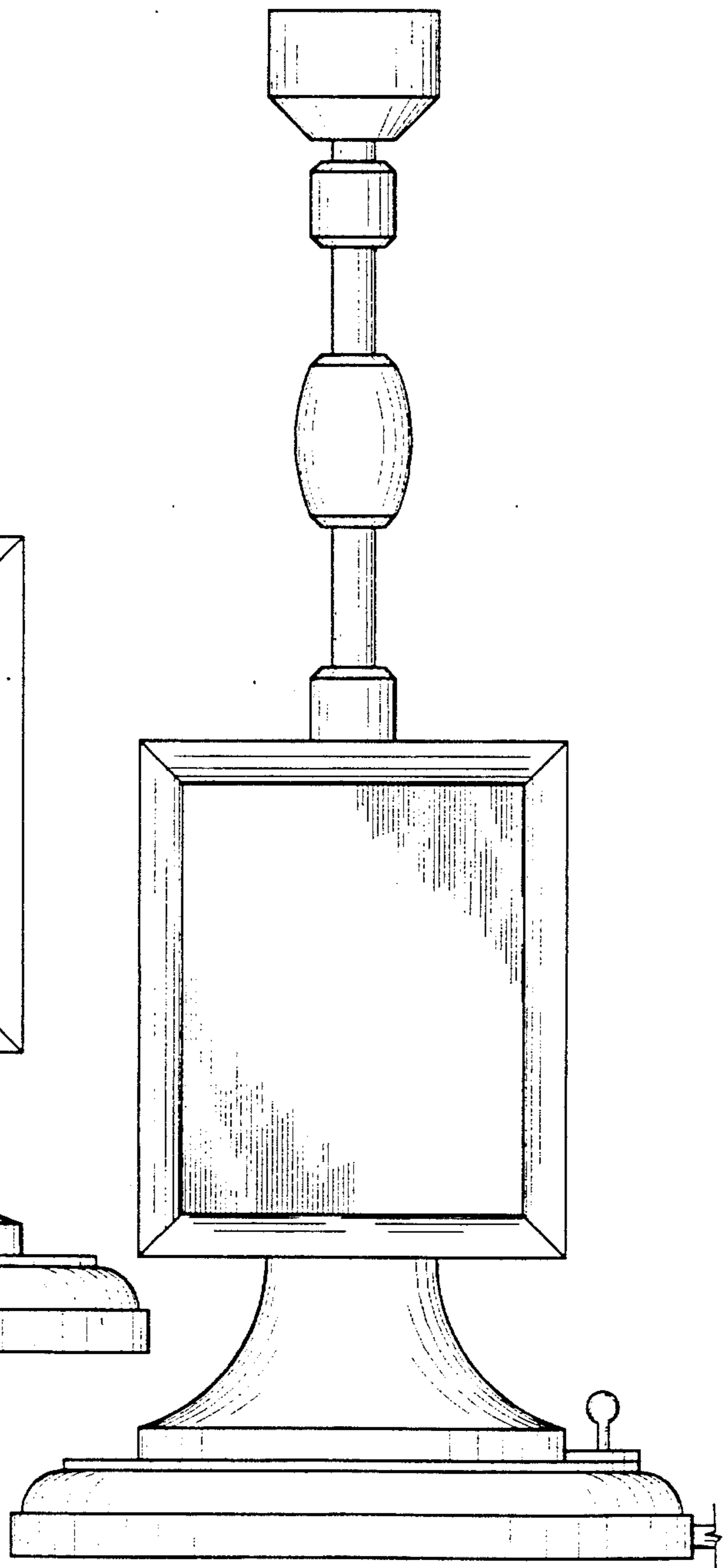


FIG. 3

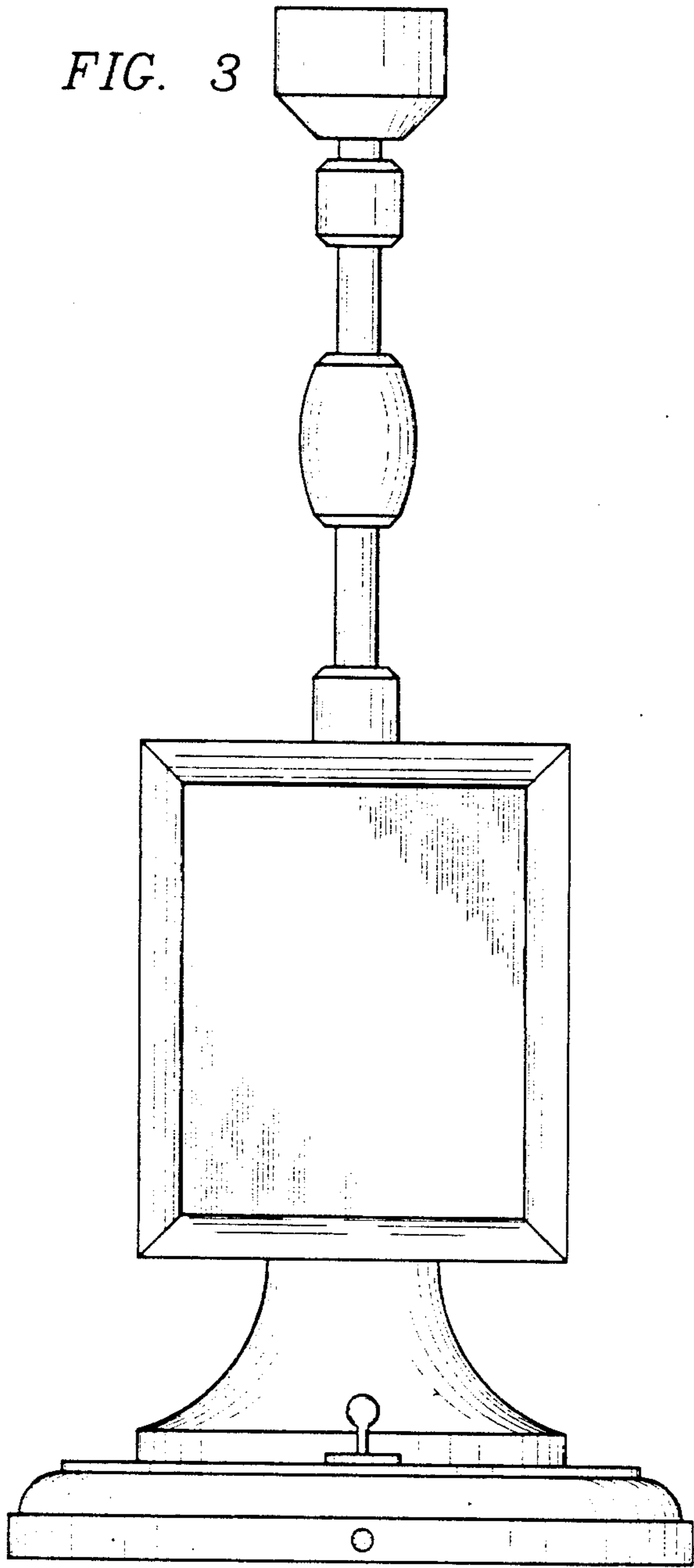


FIG. 4

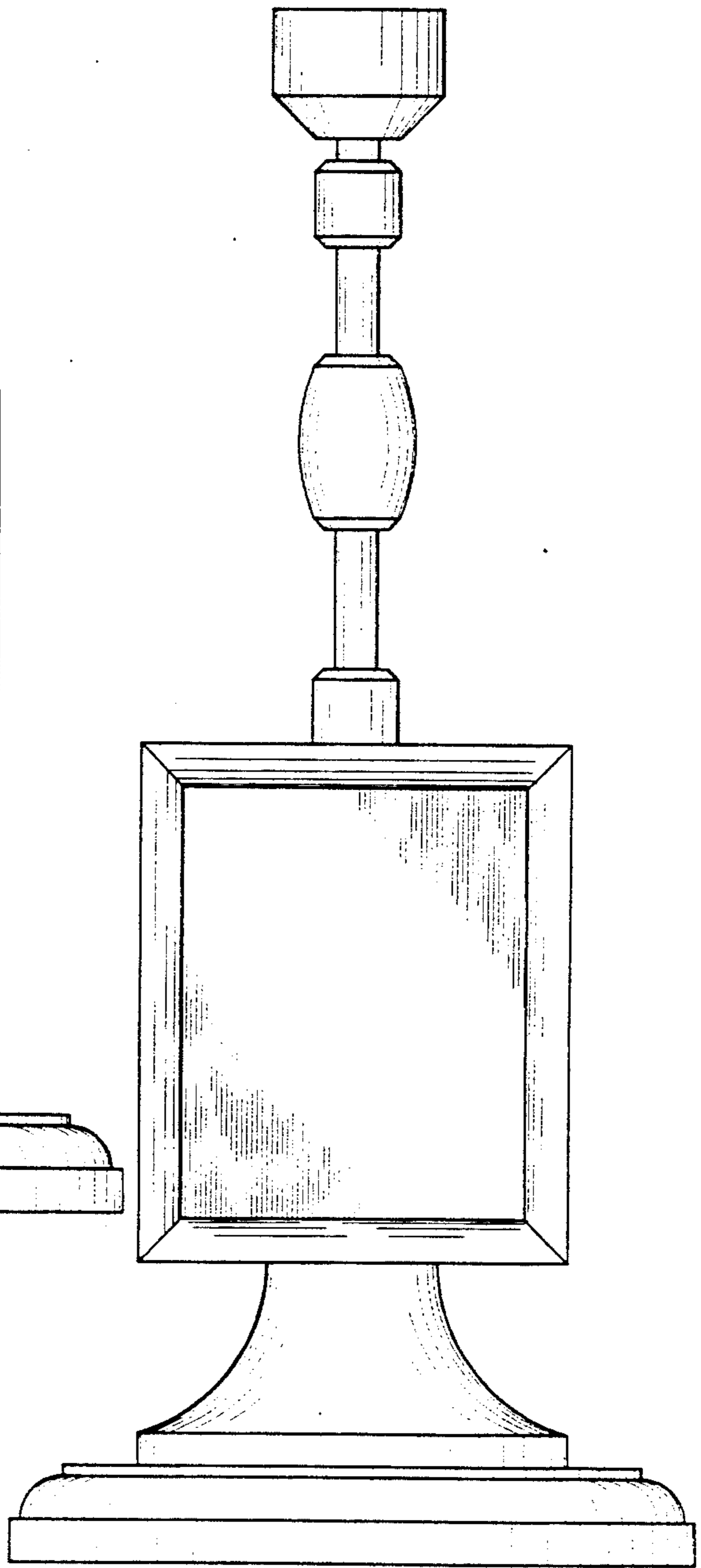


FIG. 5

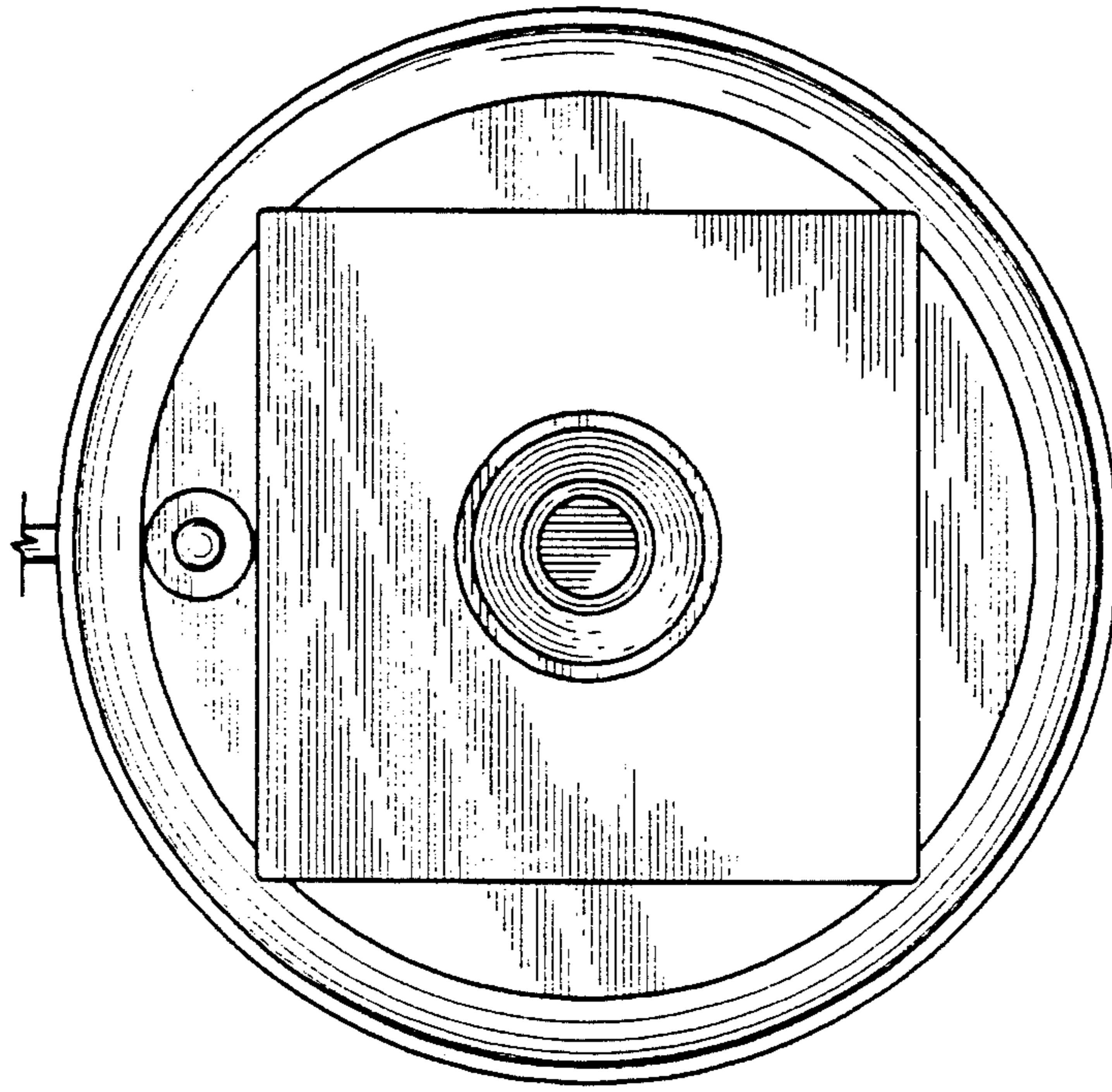


FIG. 6

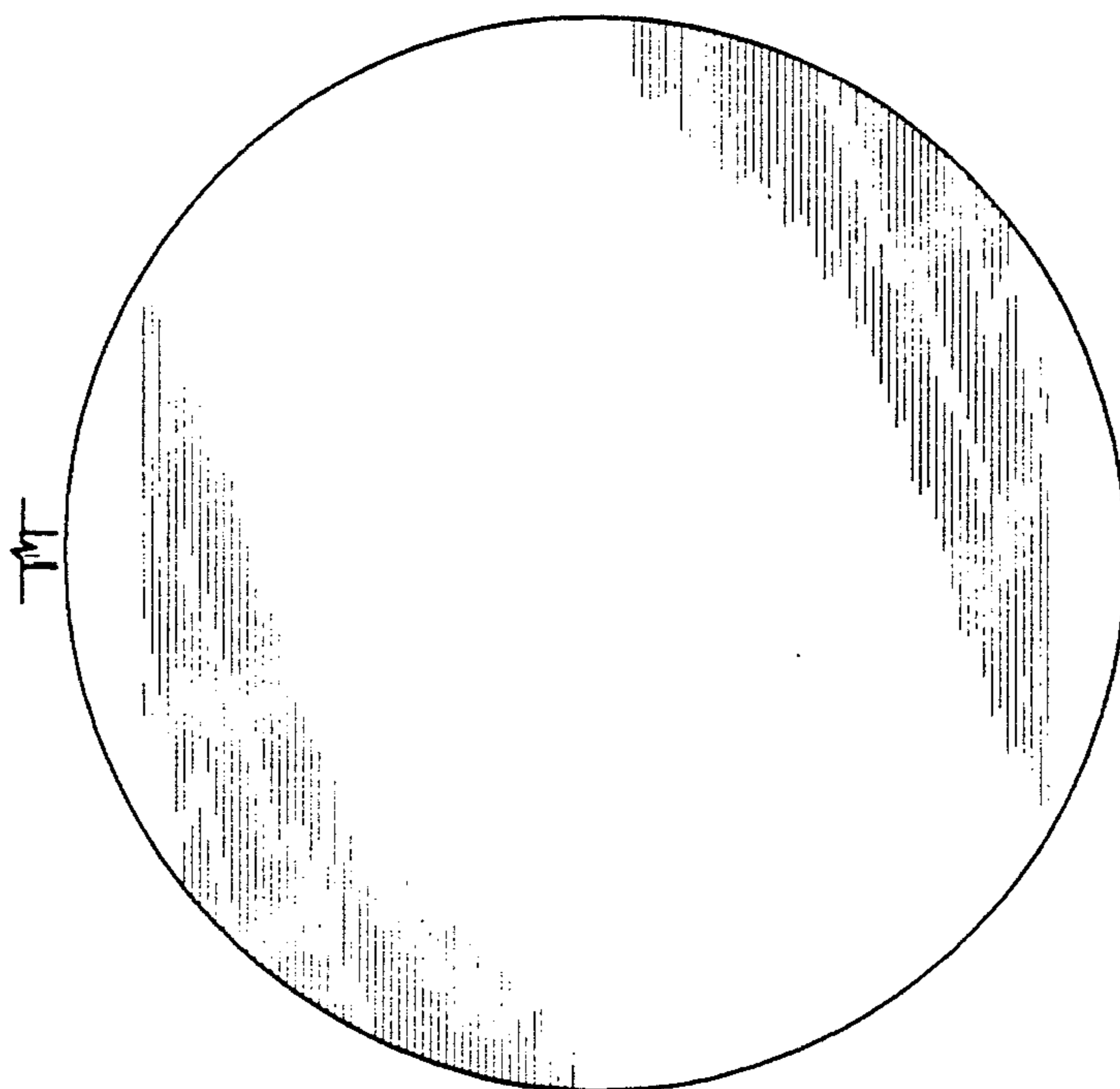


FIG. 7

