



US00D349170S

**United States Patent** [19]  
**Lin**

[11] **Patent Number: Des. 349,170**

[45] **Date of Patent: \*\* Jul. 26, 1994**

[54] **COMBINED ADJUSTABLE DESK LAMP  
AND DETACHABLE DESK ORGANIZER**

[76] **Inventor: Jack Lin**, No. 177-1, Sec. 2, Nan Kan Rd., Lu Chu Hsiang, Taoyuan Hsien, Taiwan

[\*\*] **Term: 14 Years**

[21] **Appl. No.: 3,269**

[22] **Filed: Jan. 5, 1993**

[52] **U.S. Cl. .... D26/51; D19/75;  
D19/92; D26/64**

[58] **Field of Search .... 362/269, 285, 287, 410,  
362/413, 414, 418, 419, 427; D26/60-66, 57;  
D19/75, 77, 78, 92**

[56] **References Cited**

**U.S. PATENT DOCUMENTS**

D. 253,898 1/1980 Cross ..... D19/77  
D. 285,392 9/1986 Thompson ..... D19/75 X  
D. 334,438 3/1993 Kua ..... D26/63

D. 339,648 9/1993 Wen-Yung ..... D26/64 X

*Primary Examiner*—Susan J. Lucas  
*Attorney, Agent, or Firm*—Lowe, Price, LeBlanc & Becker

[57] **CLAIM**

The ornamental design for combined adjustable desk lamp and detachable desk organizer, as shown.

**DESCRIPTION**

FIG. 1 is a perspective view of a design for combined adjustable desk lamp and detachable desk organizer showing my design;

FIG. 2 is the front elevational view thereof;

FIG. 3 is the rear elevational view thereof;

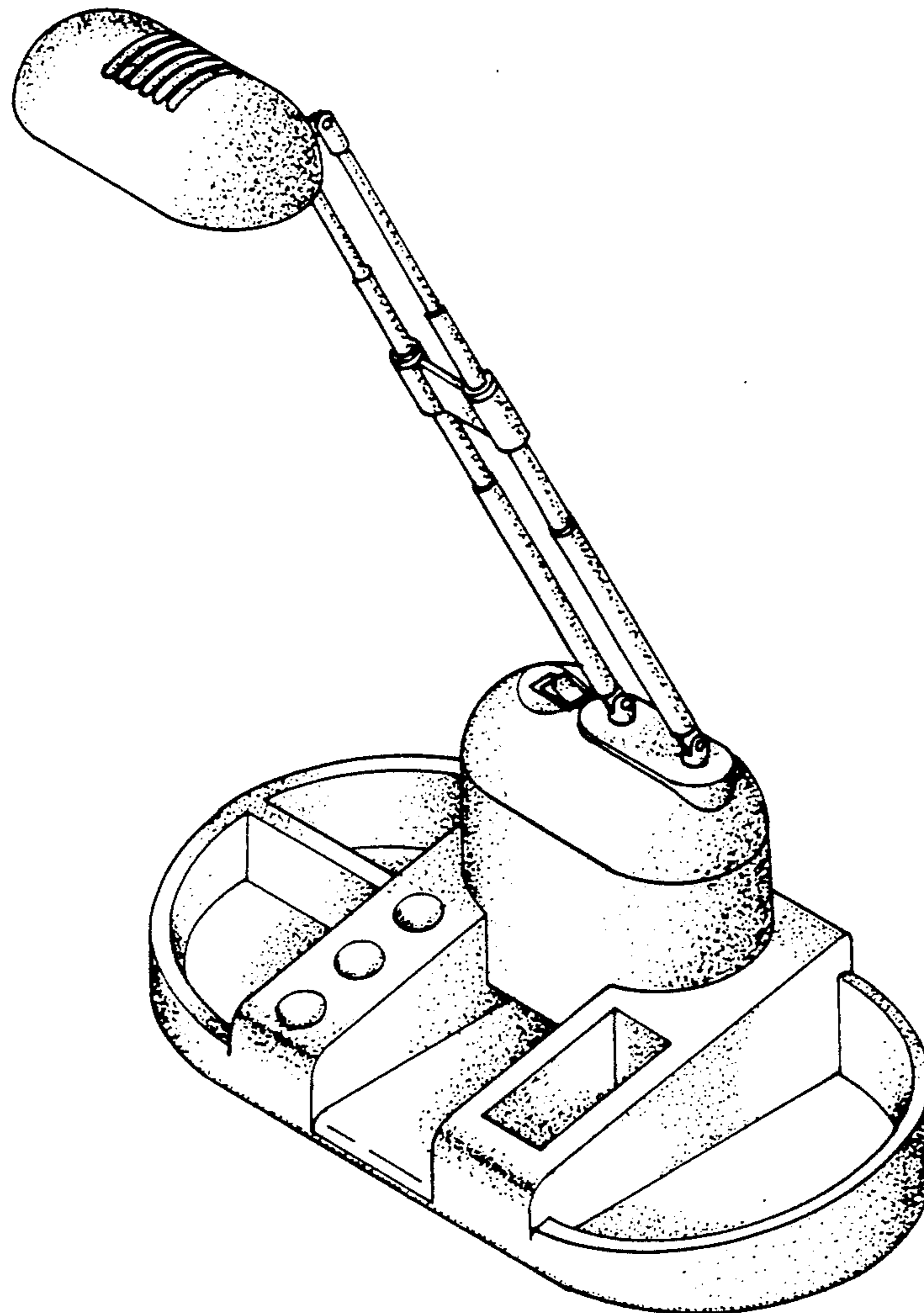
FIG. 4 is the left side elevational view thereof;

FIG. 5 is the right side elevational view thereof;

FIG. 6 is the top plan view thereof;

FIG. 7 is the bottom plan view thereof; and,

FIG. 8 is a perspective view thereof, with the lamp separated from the desk organizer.



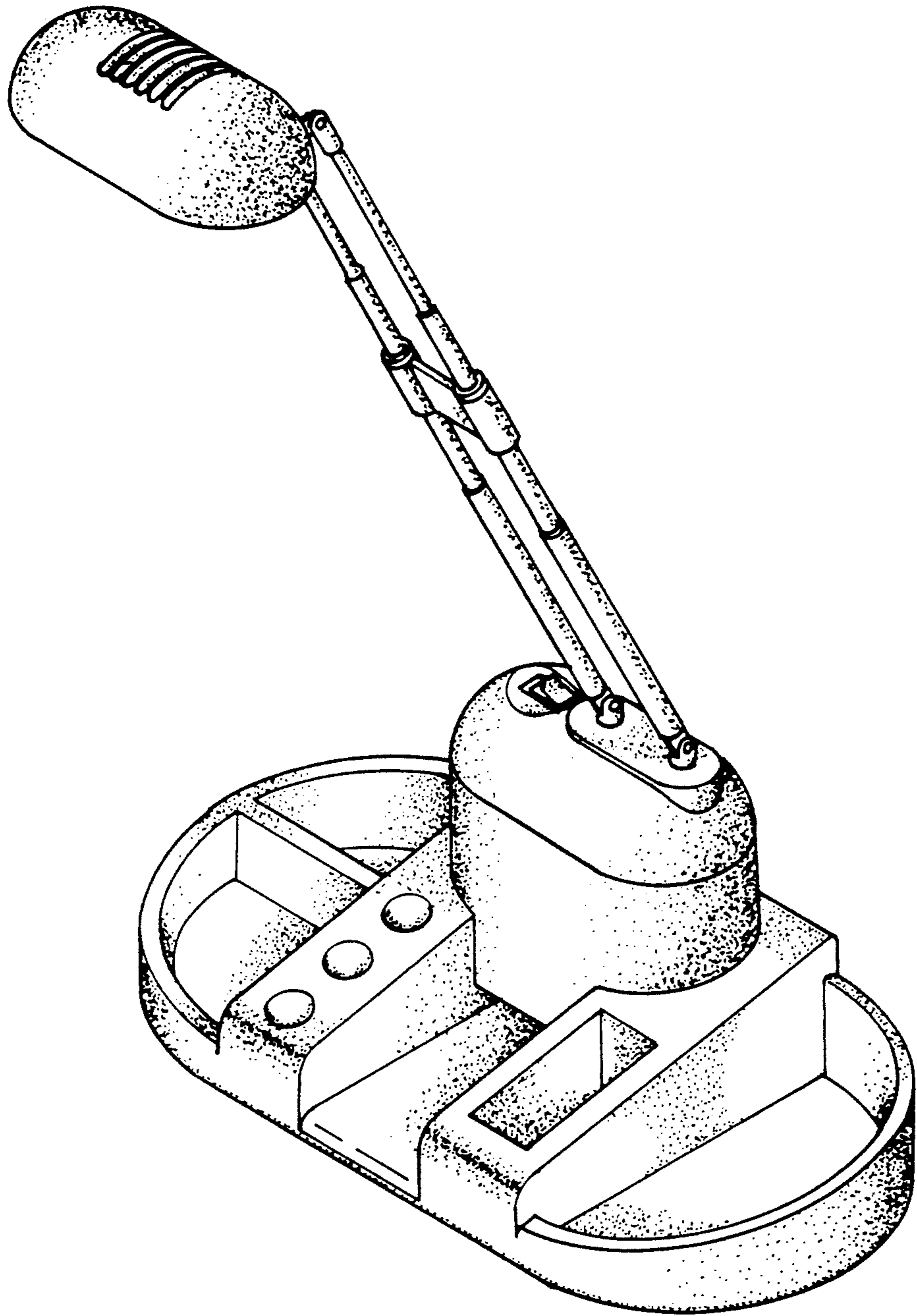


FIG. 1

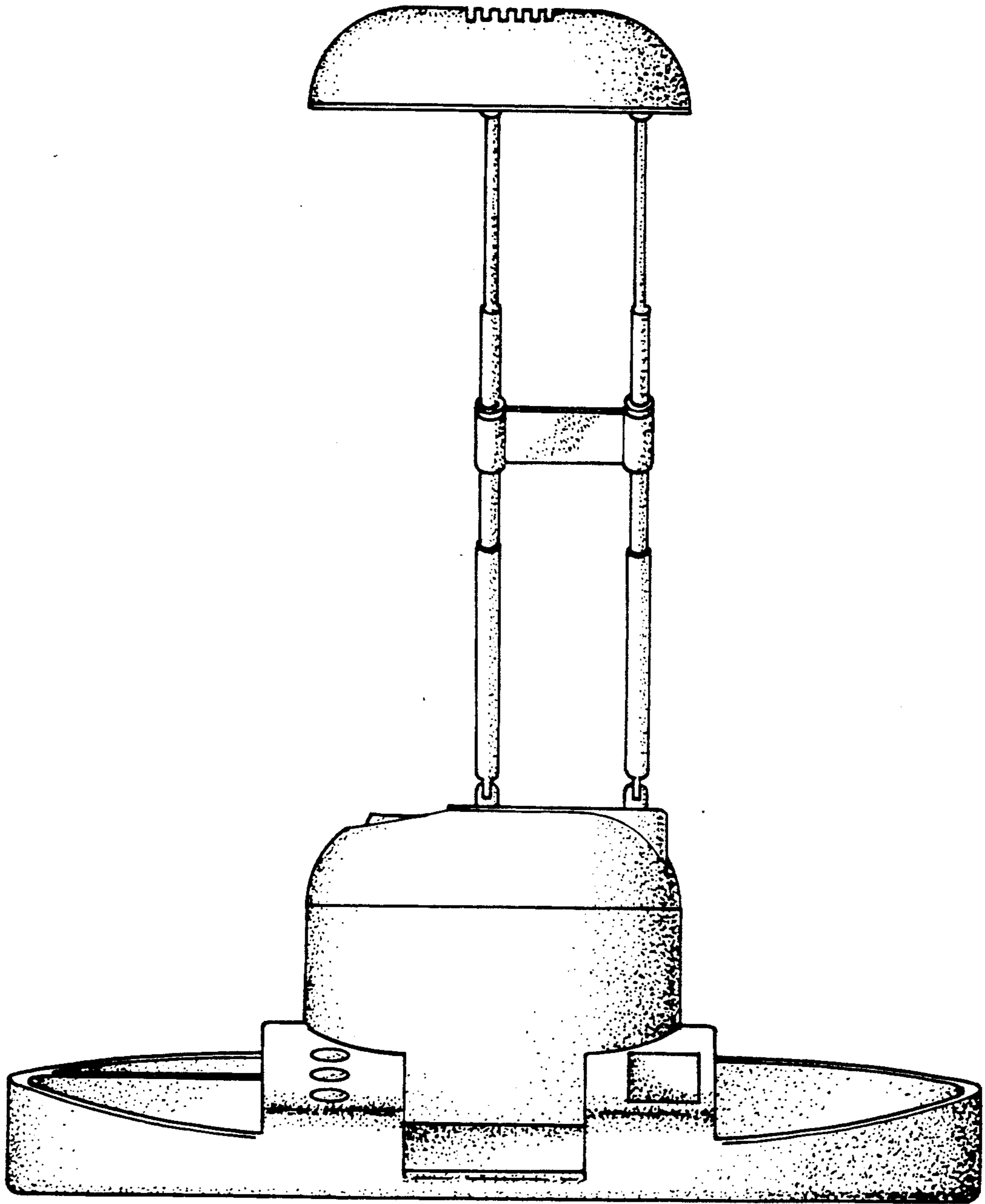


FIG. 2

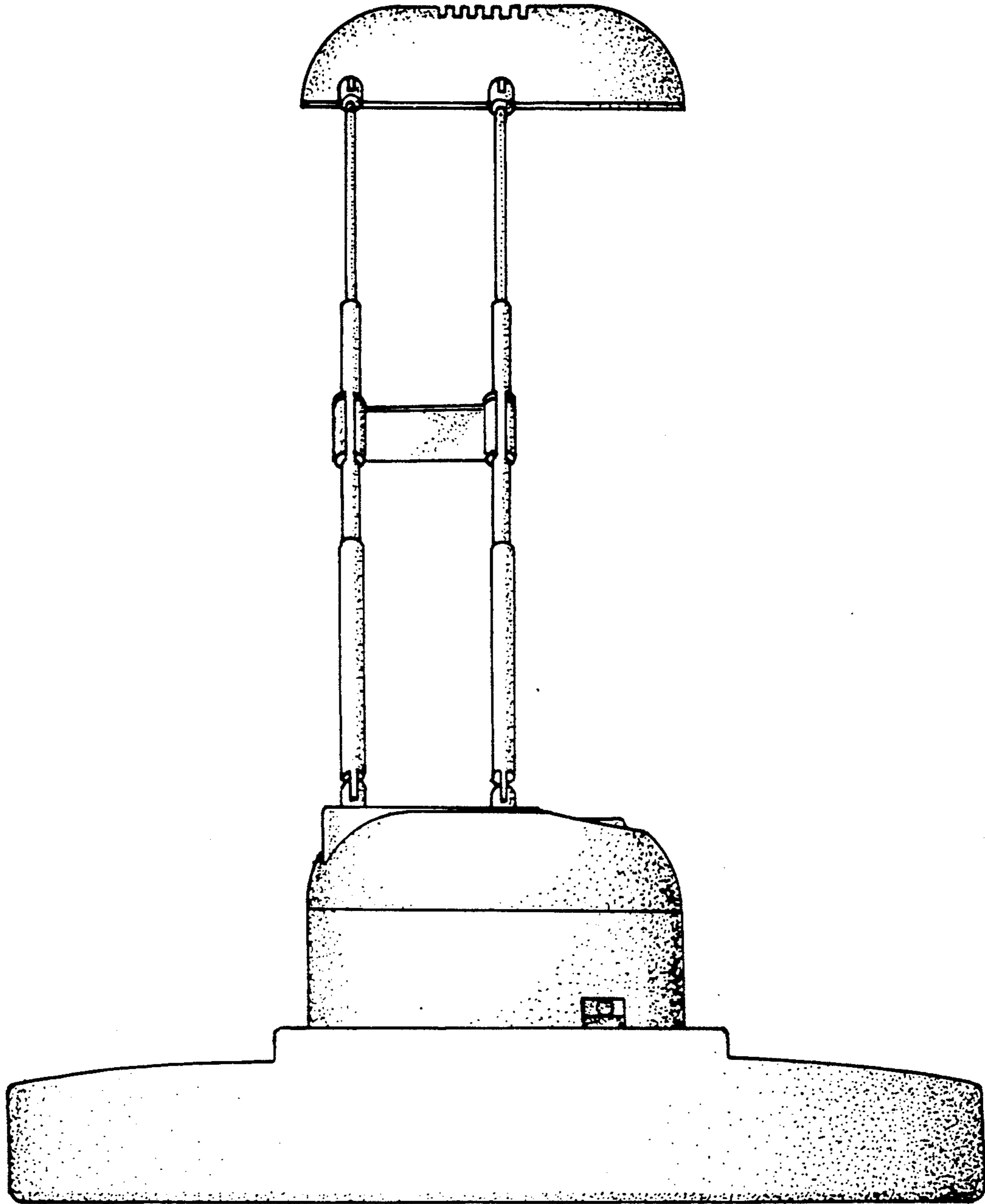


FIG. 3

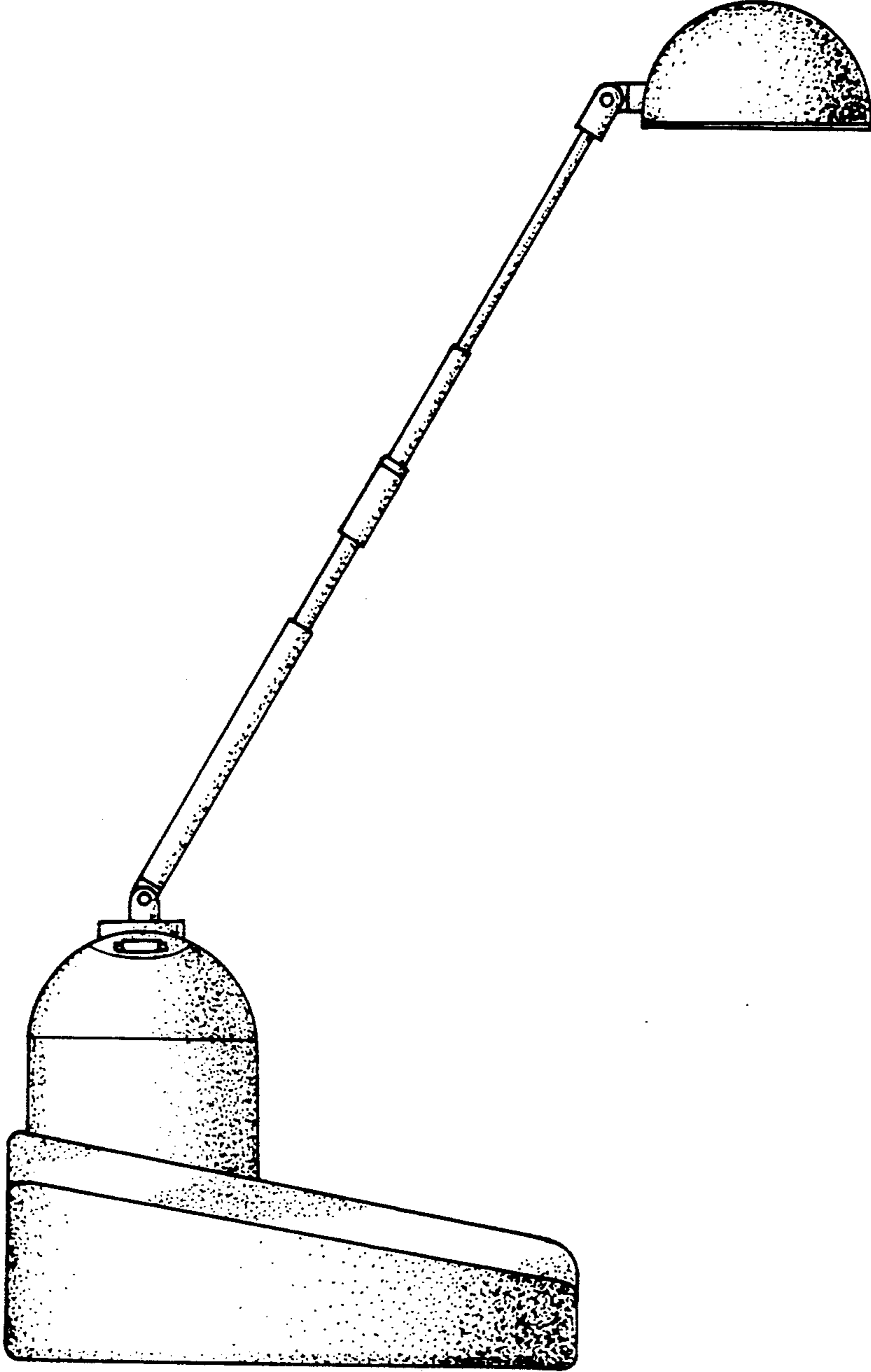


FIG. 4

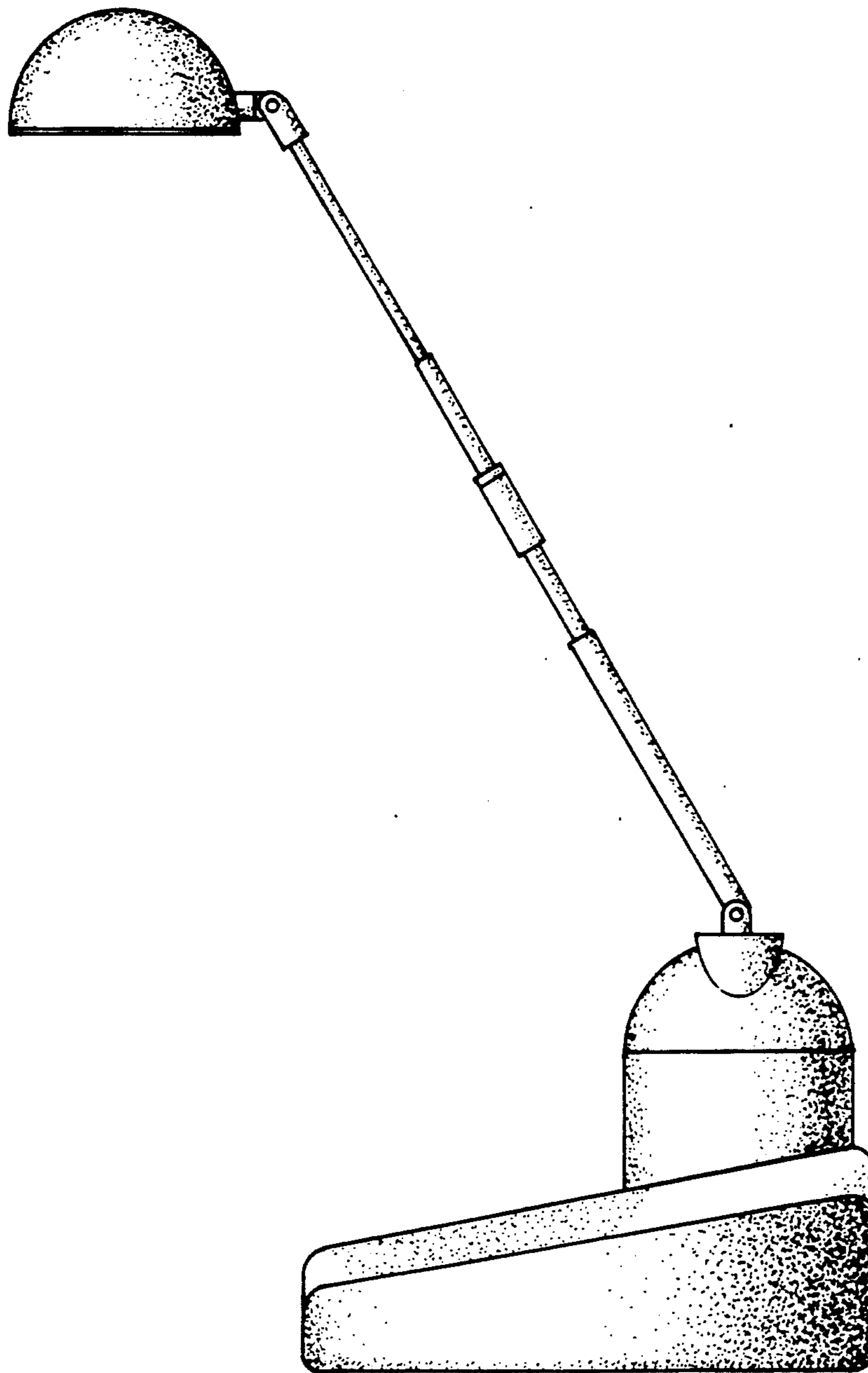


FIG. 5

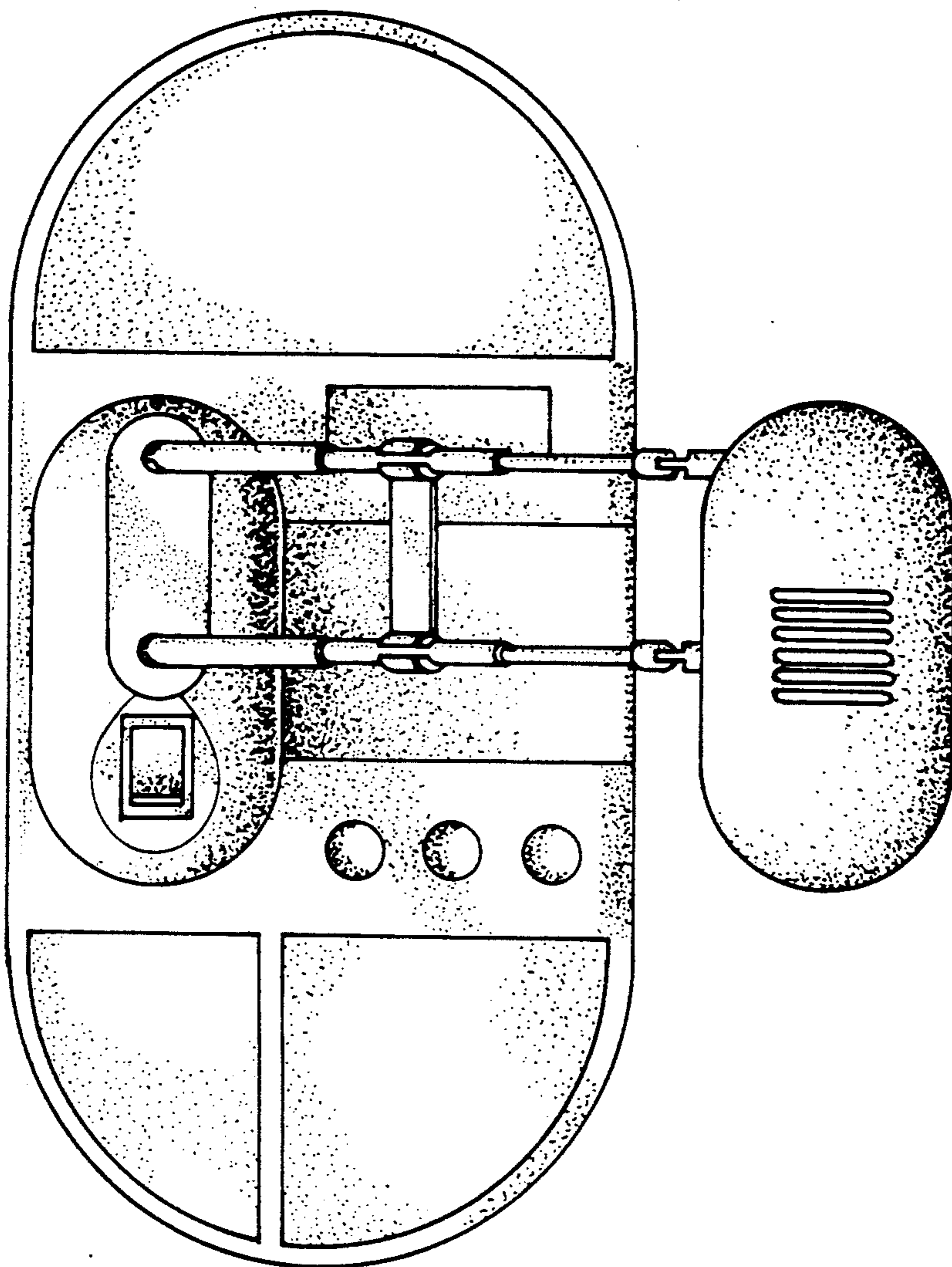


FIG. 6

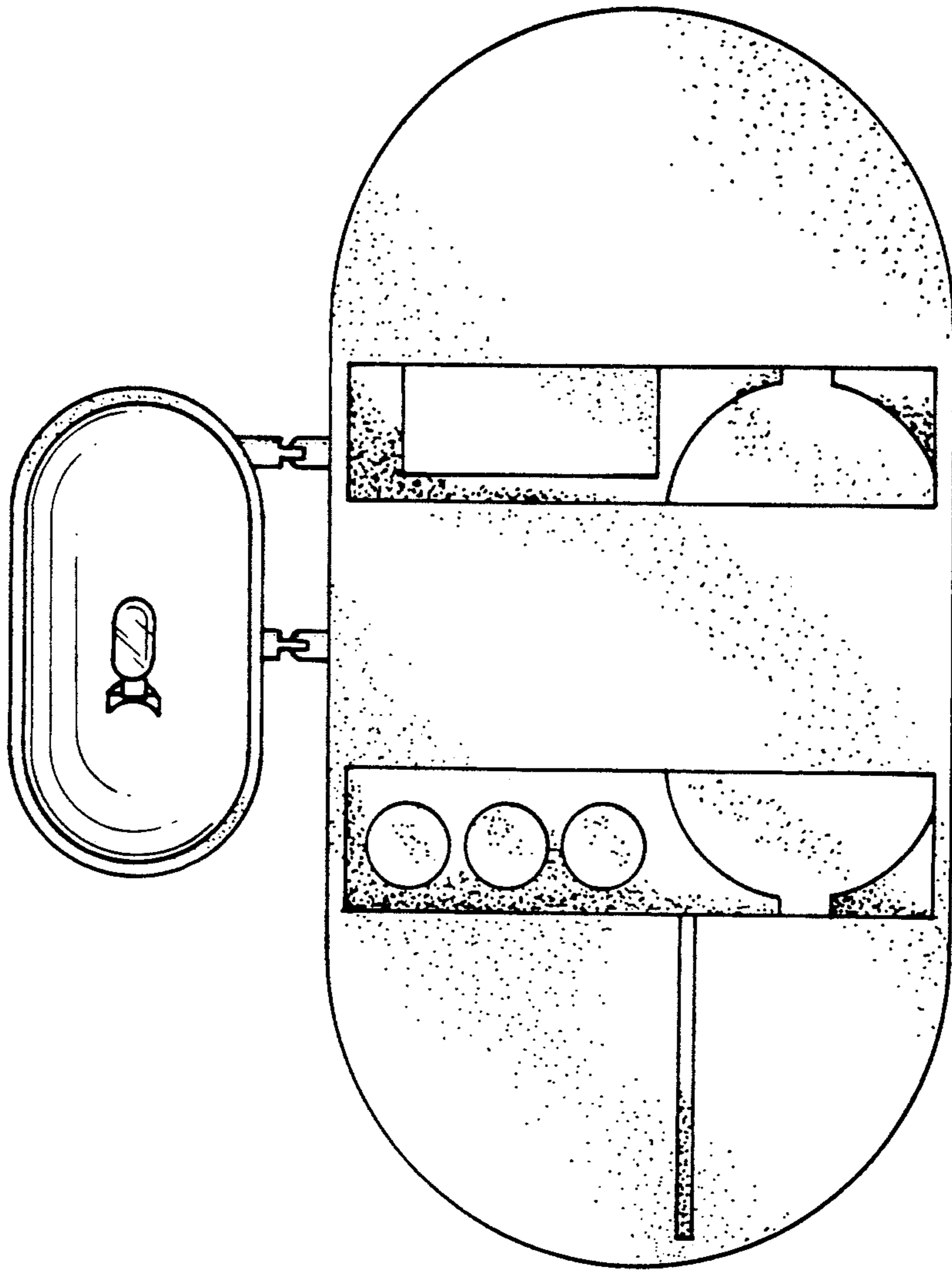


FIG. 7



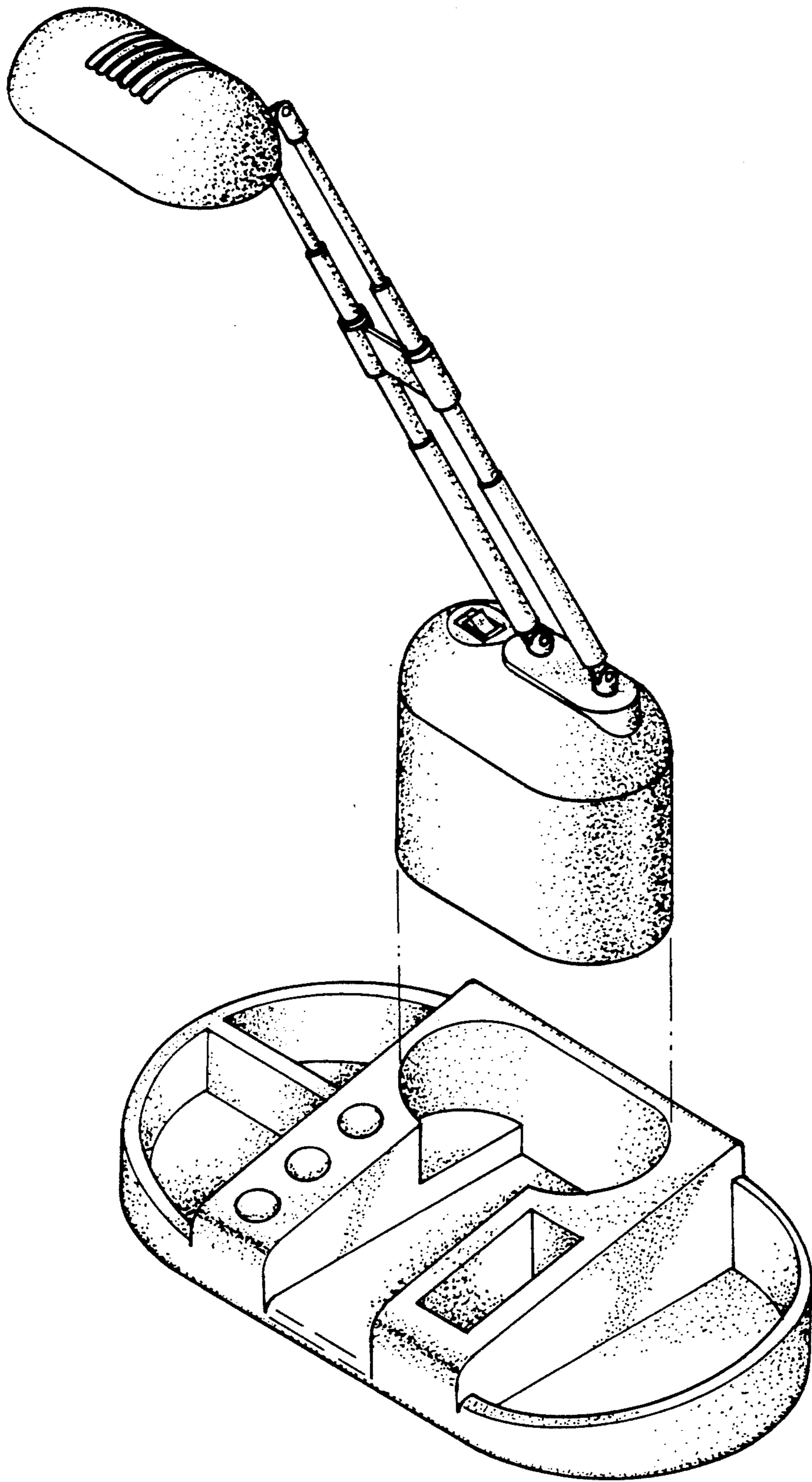


FIG. 8