



US00D349169S

United States Patent [19]

Garza

[11] Patent Number: Des. 349,169

[45] Date of Patent: ** Jul. 26, 1994

- [54] COMPRESSED AIR OPERATED FLASHLIGHT
- [76] Inventor: Alfred B. Garza, 222 Briggs, San Antonio, Tex. 78211
- [**] Term: 14 Years
- [21] Appl. No.: 5,353
- [22] Filed: Mar. 2, 1993
- [52] U.S. Cl. D26/37
- [58] Field of Search 362/96, 157, 158, 159, 362/160, 161, 168, 171, 172, 173, 178, 179, 180, 183, 184, 186, 197, 198, 201, 202, 203, 204, 205, 206, 207, 208; D26/37-50

4,321,657	3/1982	Hoi	362/183
4,564,889	1/1986	Bolson	362/192
4,789,310	12/1988	Hung	362/184
4,920,465	4/1990	Sargent	362/96

Primary Examiner—Wallace R. Burke
Assistant Examiner—Marcus Jackson
Attorney, Agent, or Firm—Cox & Smith Incorporated

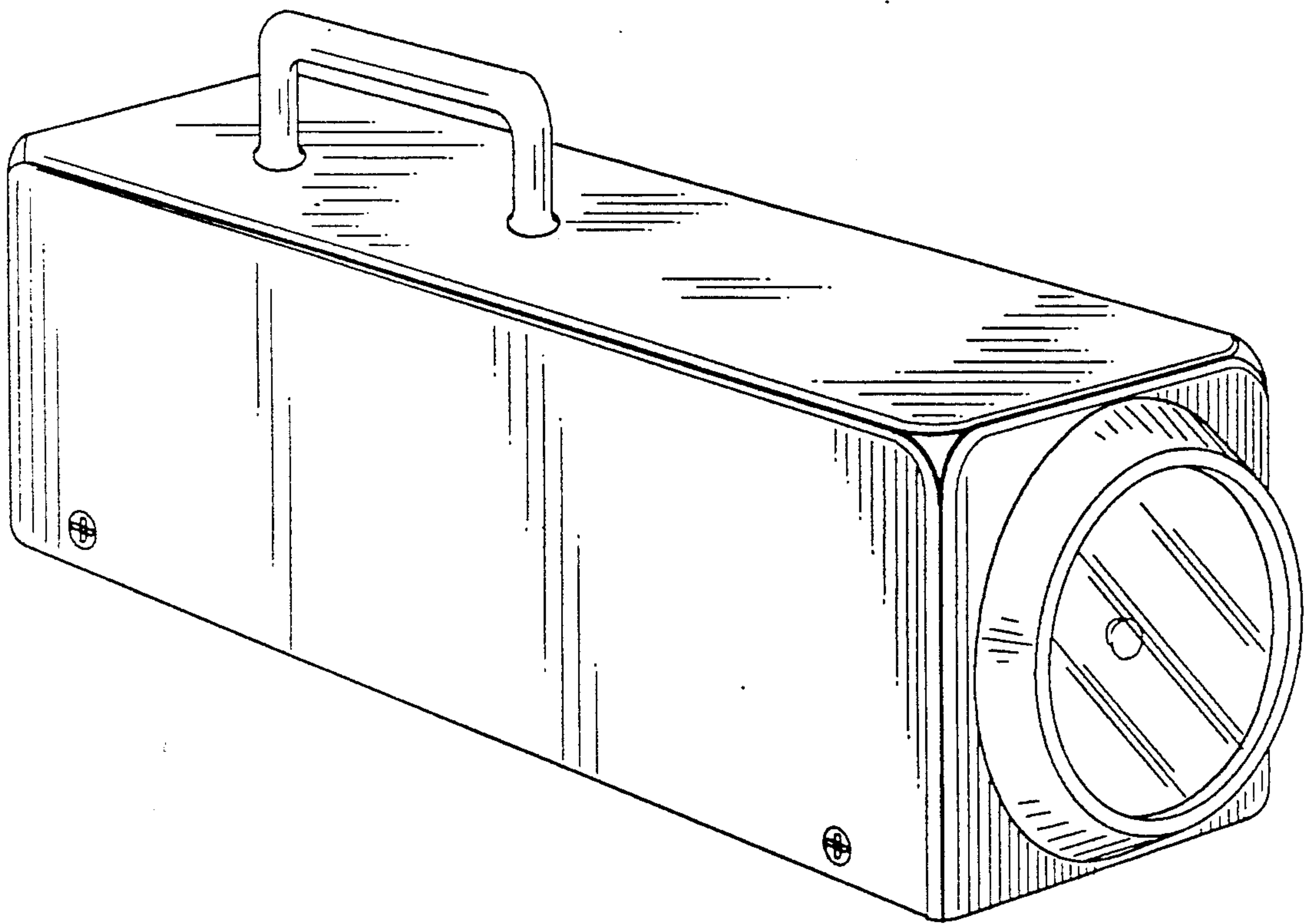
[57] CLAIM

The ornamental design for a compressed air operated flashlight, as shown and described.

DESCRIPTION

FIG. 1 is a front perspective view of the compressed air operated flashlight embodying this invention; FIG. 2 is a rear perspective view of said compressed air operated flashlight; FIG. 3 is a reduced front elevational view of FIG. 1; FIG. 4 is a right side elevational view of FIG. 1; FIG. 5 is a top plan view of FIG. 1; FIG. 6 is a right side elevational view of FIG. 1; FIG. 7 is a rear elevational view of FIG. 1; and, FIG. 8 is a bottom plan view of FIG. 1.

- [56] **References Cited**
- U.S. PATENT DOCUMENTS**
- D. 310,529 9/1990 Yuen D26/38
- 396,241 1/1889 Shawhan .
- 1,528,754 3/1925 Bresson .
- 1,607,562 11/1926 Potter .
- 1,695,794 12/1928 Becker, Jr. .



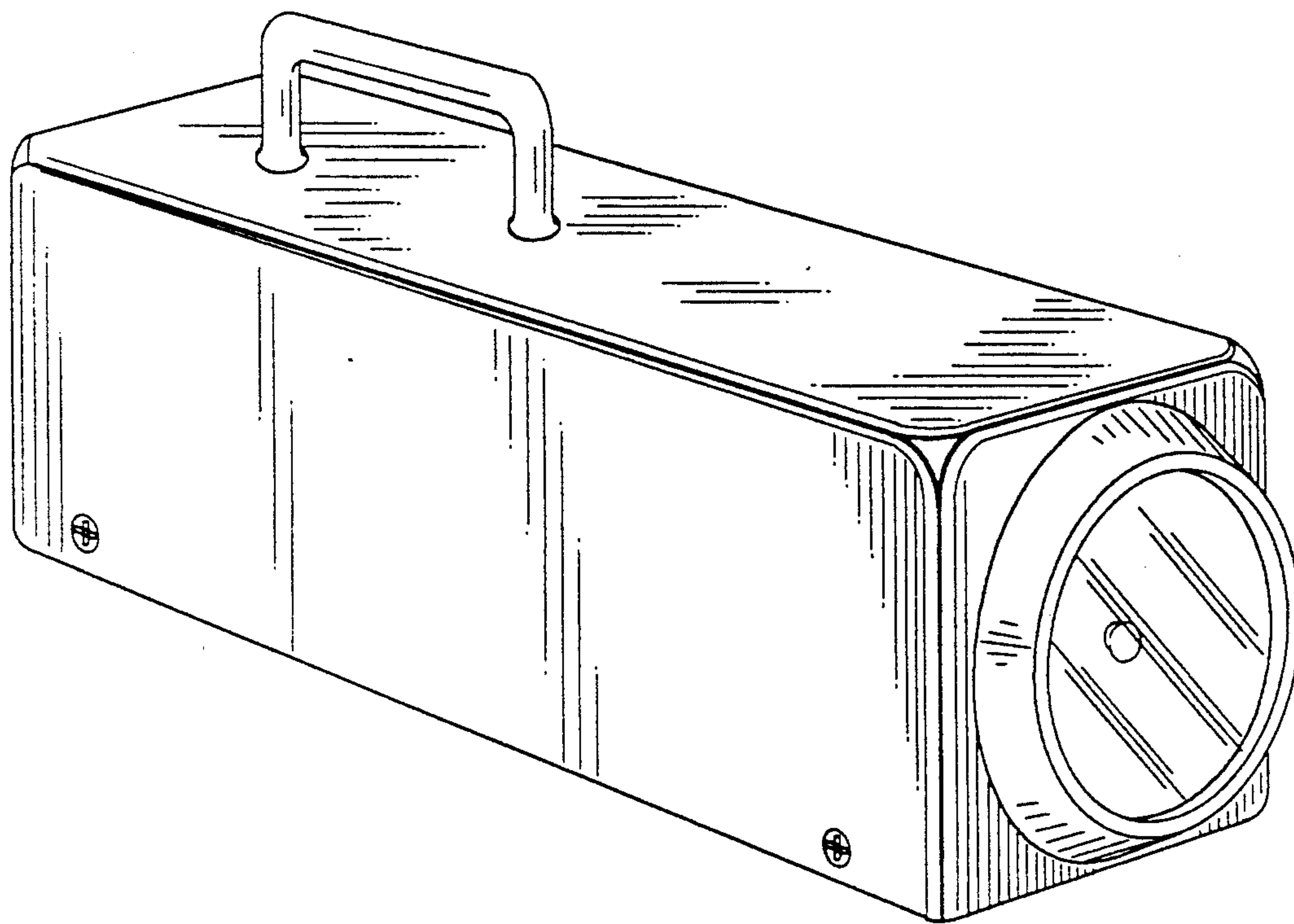


Fig. 1

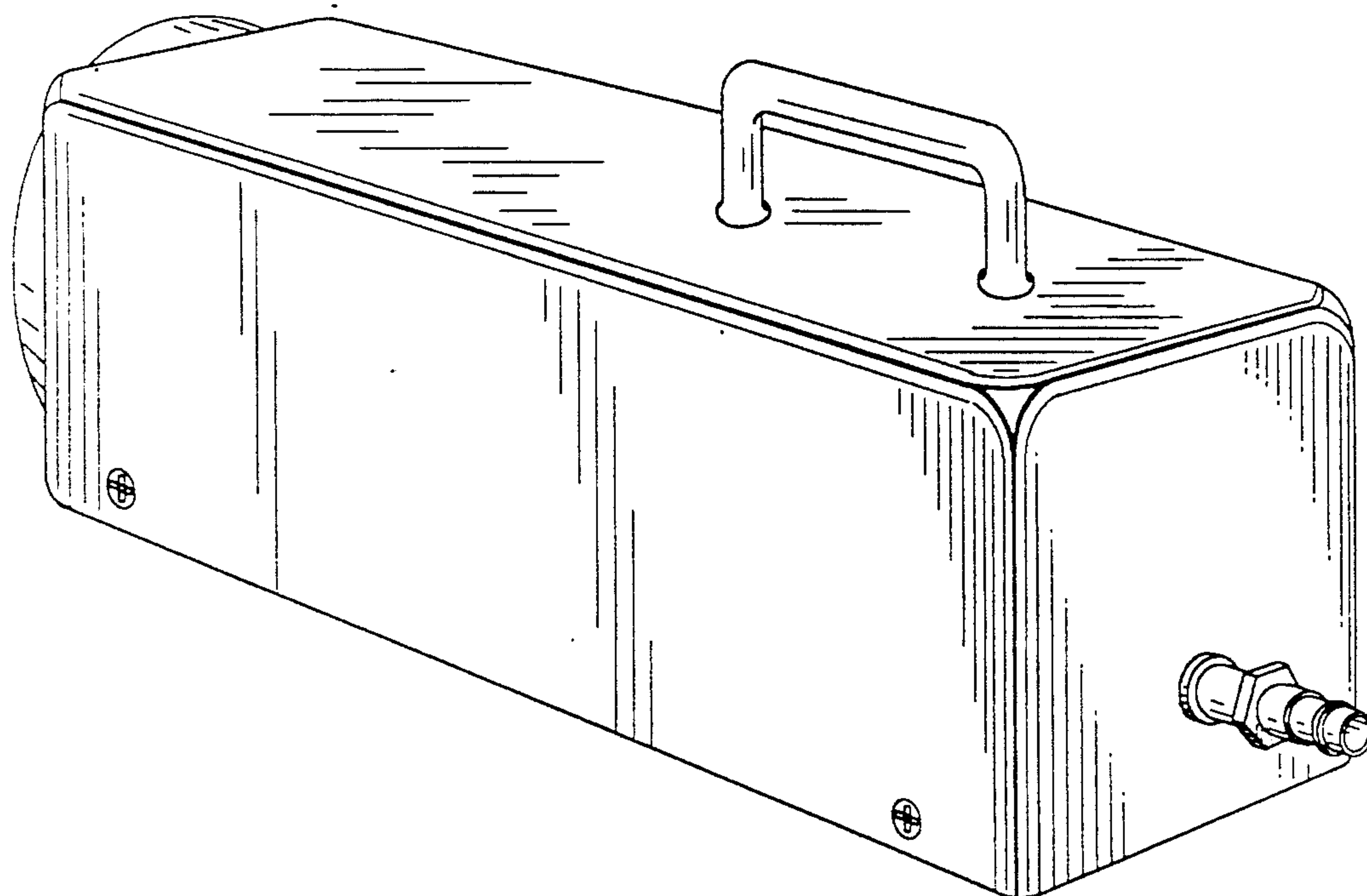


Fig. 2

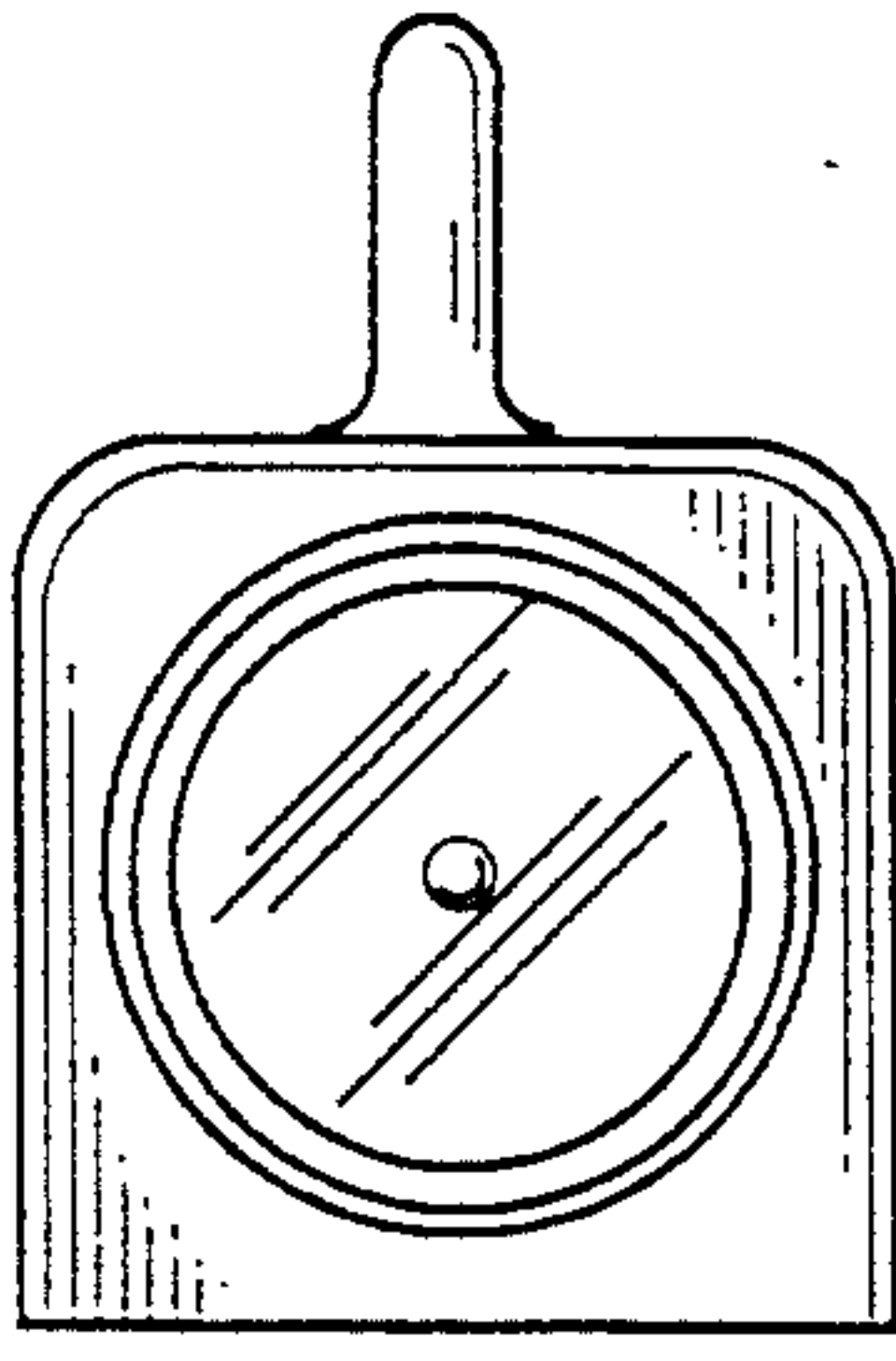


FIG. 3

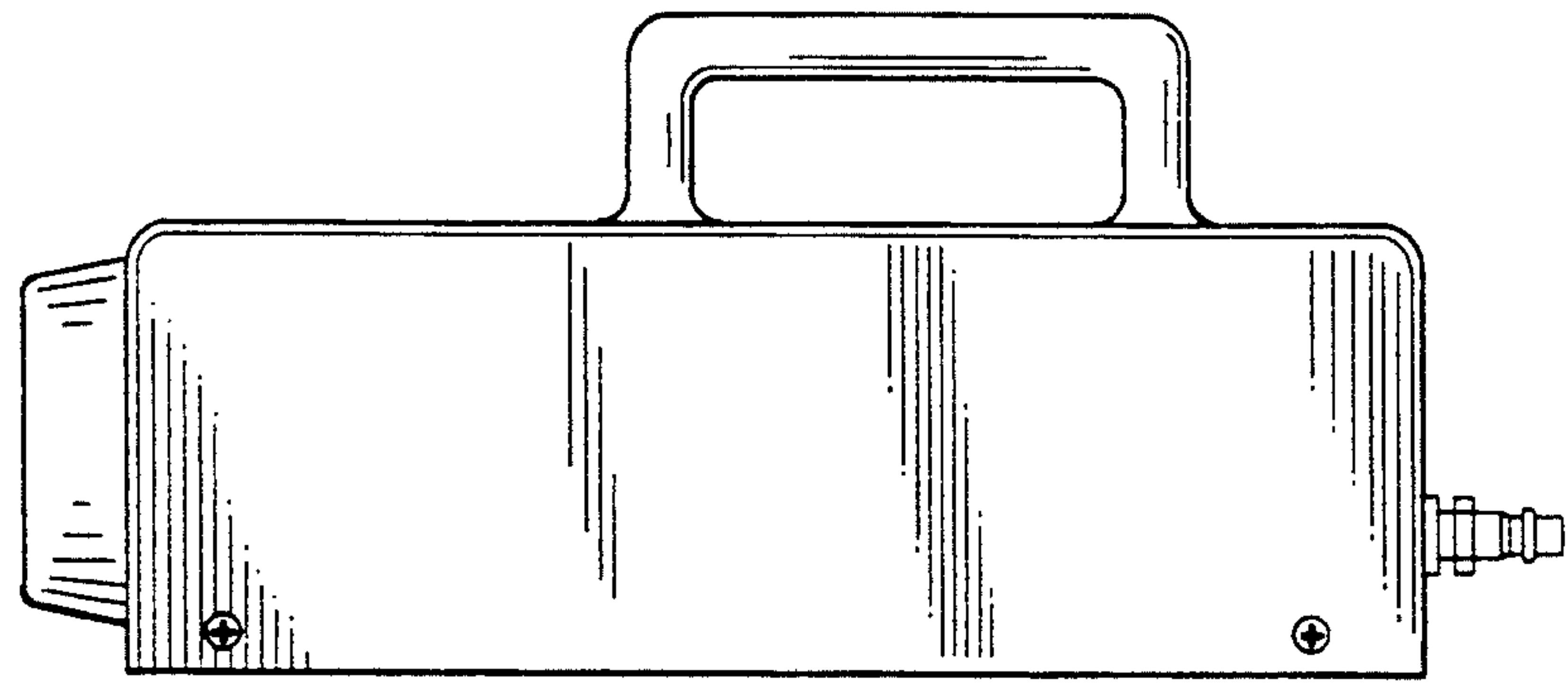


FIG. 4

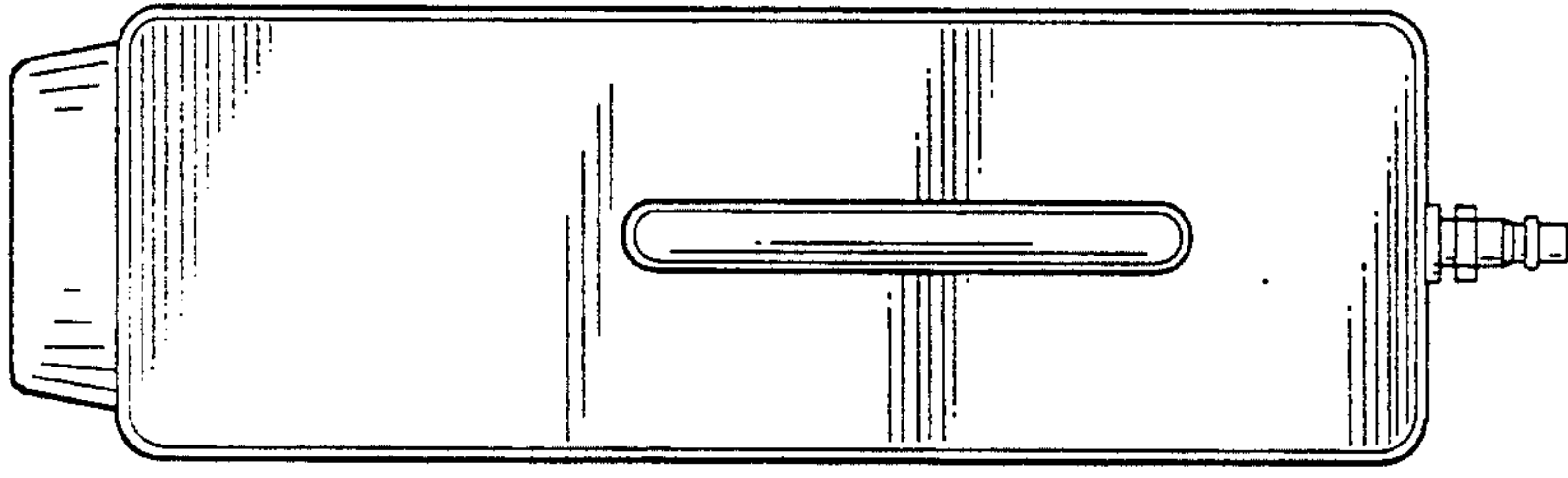


FIG. 5

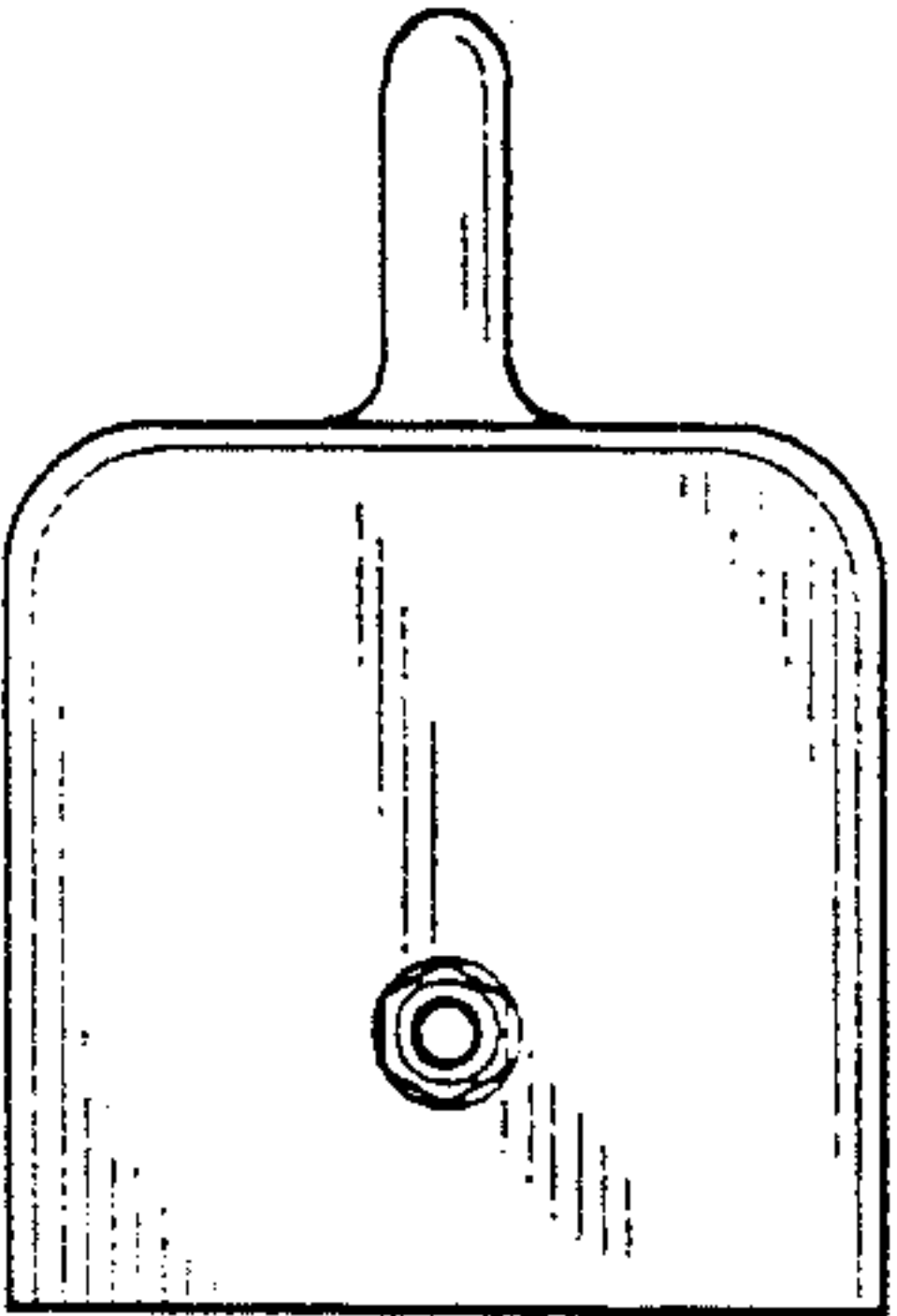


FIG. 7

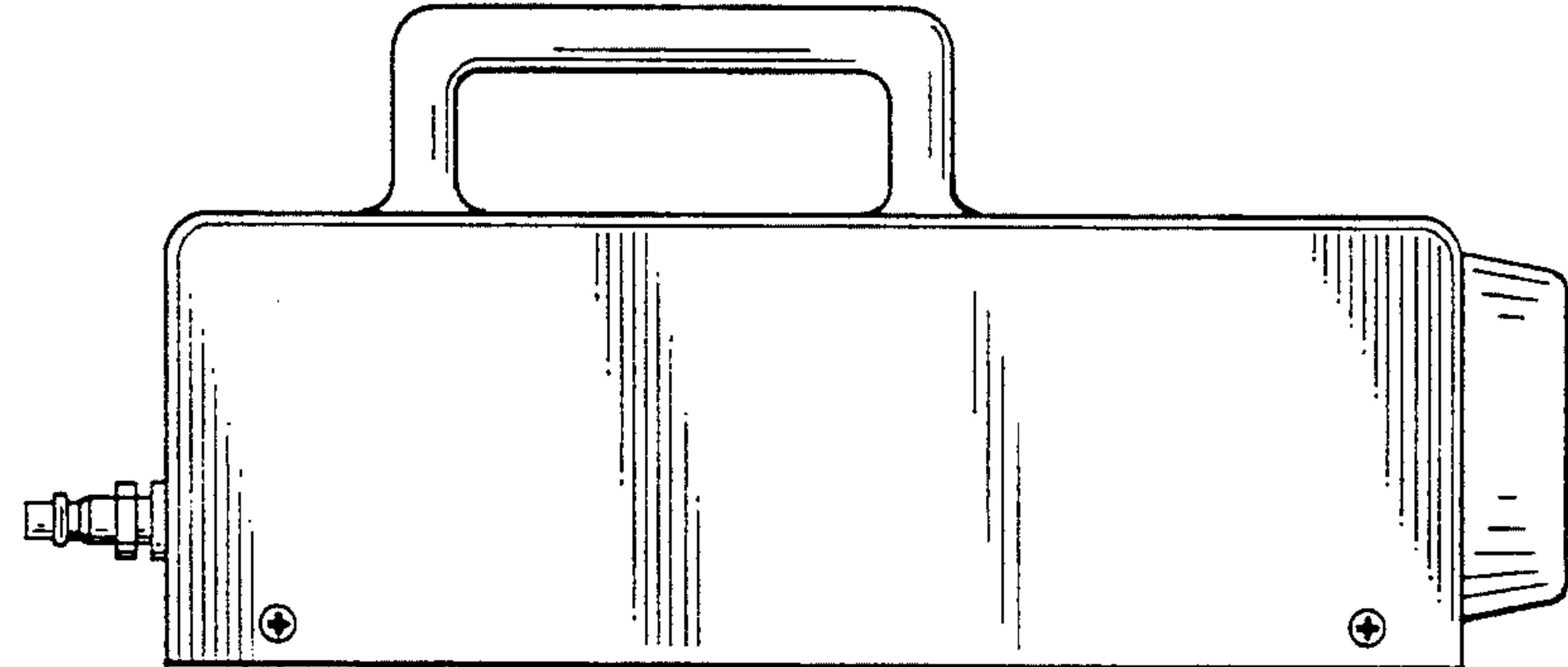


FIG. 6

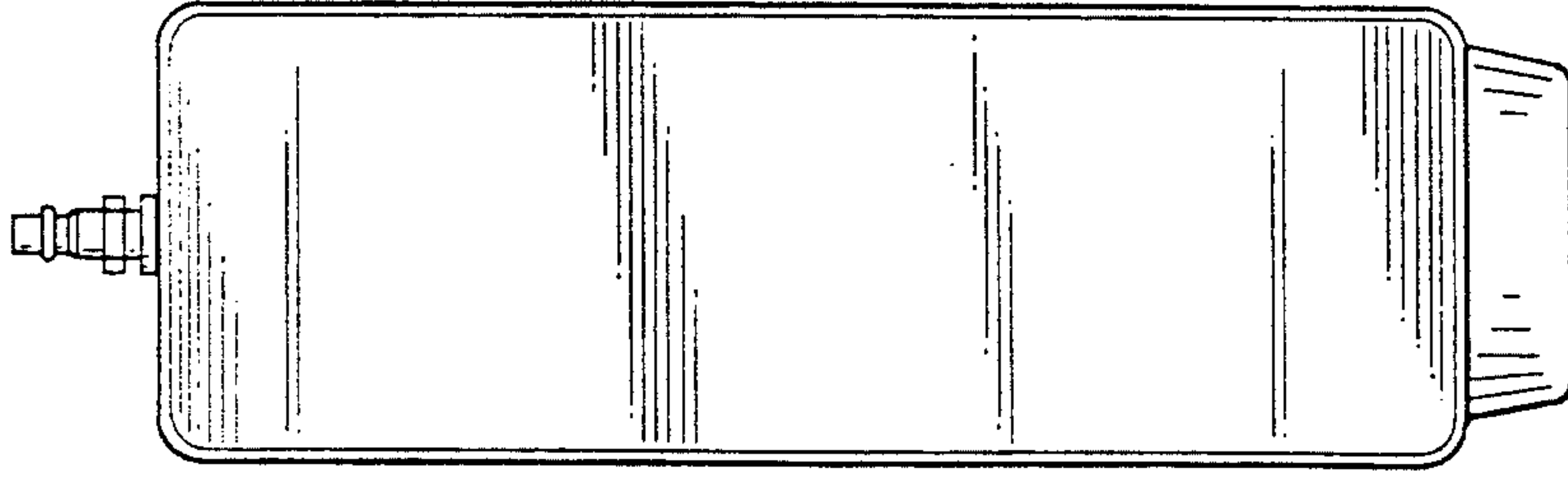


FIG. 8