



US00D349167S

United States Patent [19]

[11] Patent Number: **Des. 349,167**

Uchida

[45] Date of Patent: **** Jul. 26, 1994**

[54] **AUTOMOBILE HEAD LIGHT ASSEMBLY**

Attorney, Agent, or Firm—Lyon & Lyon

[75] Inventor: **Satoshi Uchida**, Nerima, Japan

[57] **CLAIM**

[73] Assignee: **Honda Giken Kogyo Kabushiki Kaisha**, Tokyo, Japan

The ornamental design for an automobile head light assembly, as shown and described.

[**] Term: **14 Years**

DESCRIPTION

[21] Appl. No.: **873,542**

FIG. 1 is a front elevation view of an automobile head light assembly showing the new design, the automobile being shown in broken lines for illustrative purposes only;

[22] Filed: **Apr. 22, 1992**

FIG. 2 is an enlarged front elevation view of the automobile head light showing the new design.

[30] **Foreign Application Priority Data**

Oct. 22, 1991 [JP] Japan 3-31922

[52] U.S. Cl. **D26/28**

[58] Field of Search 362/61, 80, 80.1, 83, 362/83.3, 326, 334, 335, 336, 337, 339; D26/28-36, 120, 122

FIG. 3 is a left side elevation view of the automobile head light assembly shown in FIG. 2;

FIG. 4 is a right side elevation view of the automobile head light assembly shown in FIGS. 2 and 3;

FIG. 5 is a top plan view of the automobile head light assembly shown in FIGS. 2-4;

FIG. 6 is a bottom view of the automobile head light assembly shown in FIGS. 2-5;

FIG. 7 is a rear elevation view of the automobile head light assembly shown in FIGS. 2-6; and,

FIG. 8 is a cross-sectional view taken on line 8-8 of FIG. 2, the interior elements being shown in broken lines for illustrative purposes only.

[56] **References Cited**

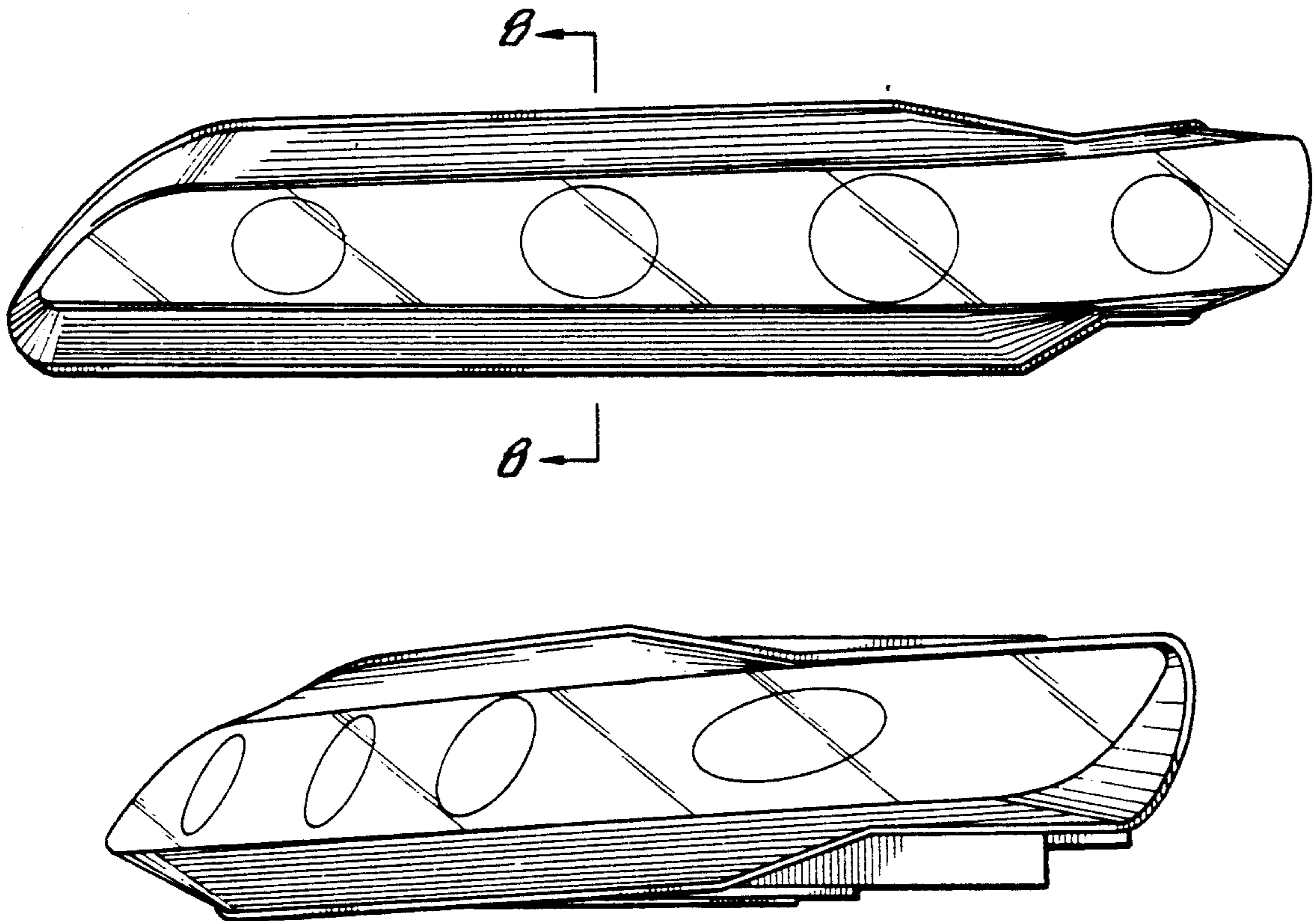
U.S. PATENT DOCUMENTS

D. 294,400 2/1988 Cressoni D26/122

D. 305,940 2/1990 Fukagawa D26/28

4,849,861 7/1989 Arima 362/61

Primary Examiner—Susan J. Lucas



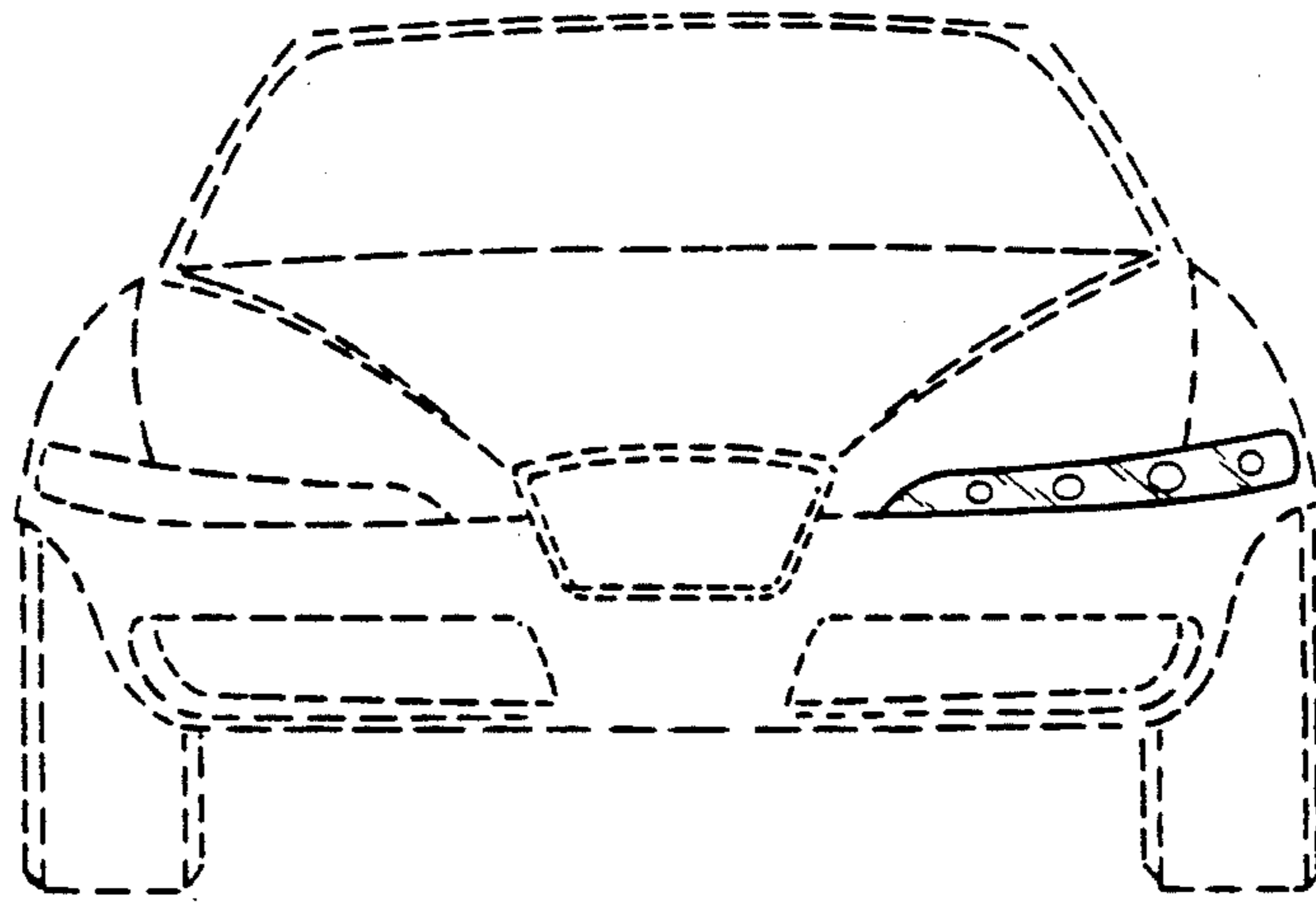


FIG. 1

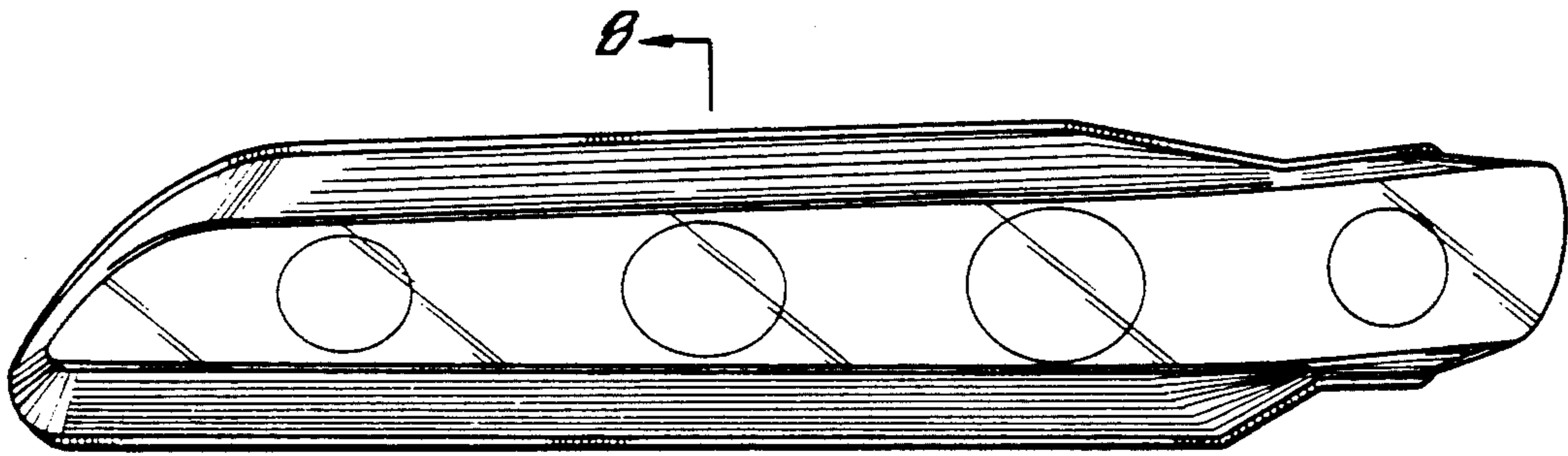


FIG. 2

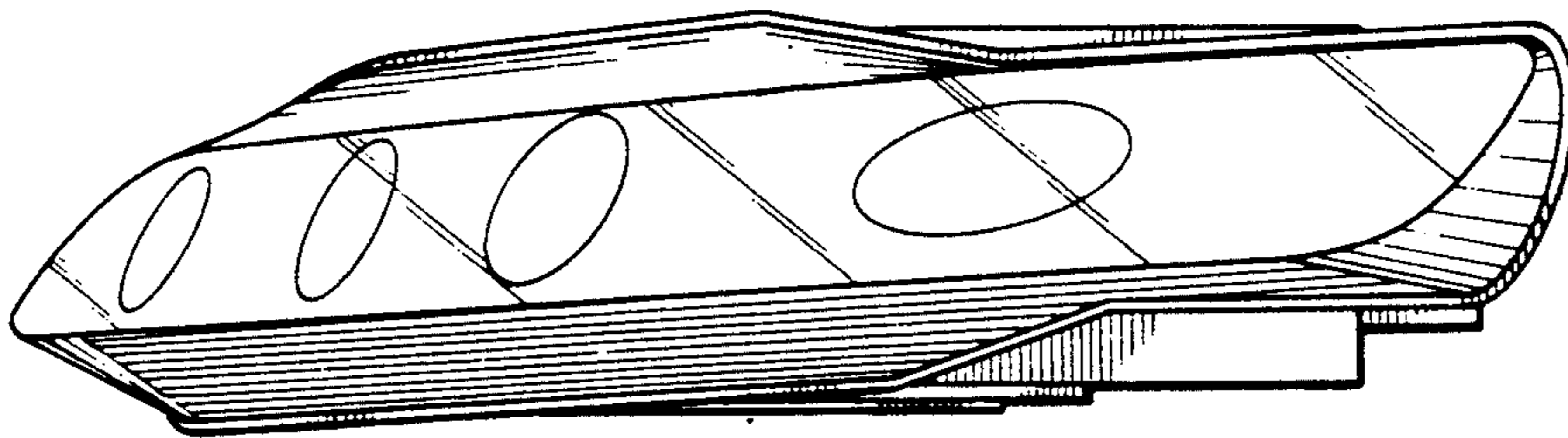


FIG. 3

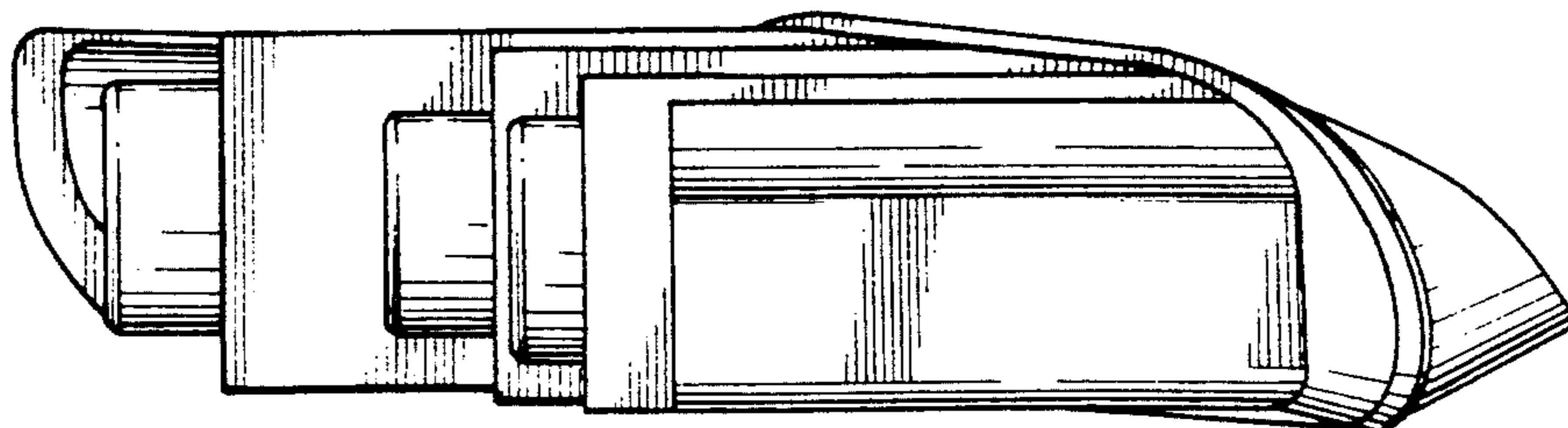


FIG. 4

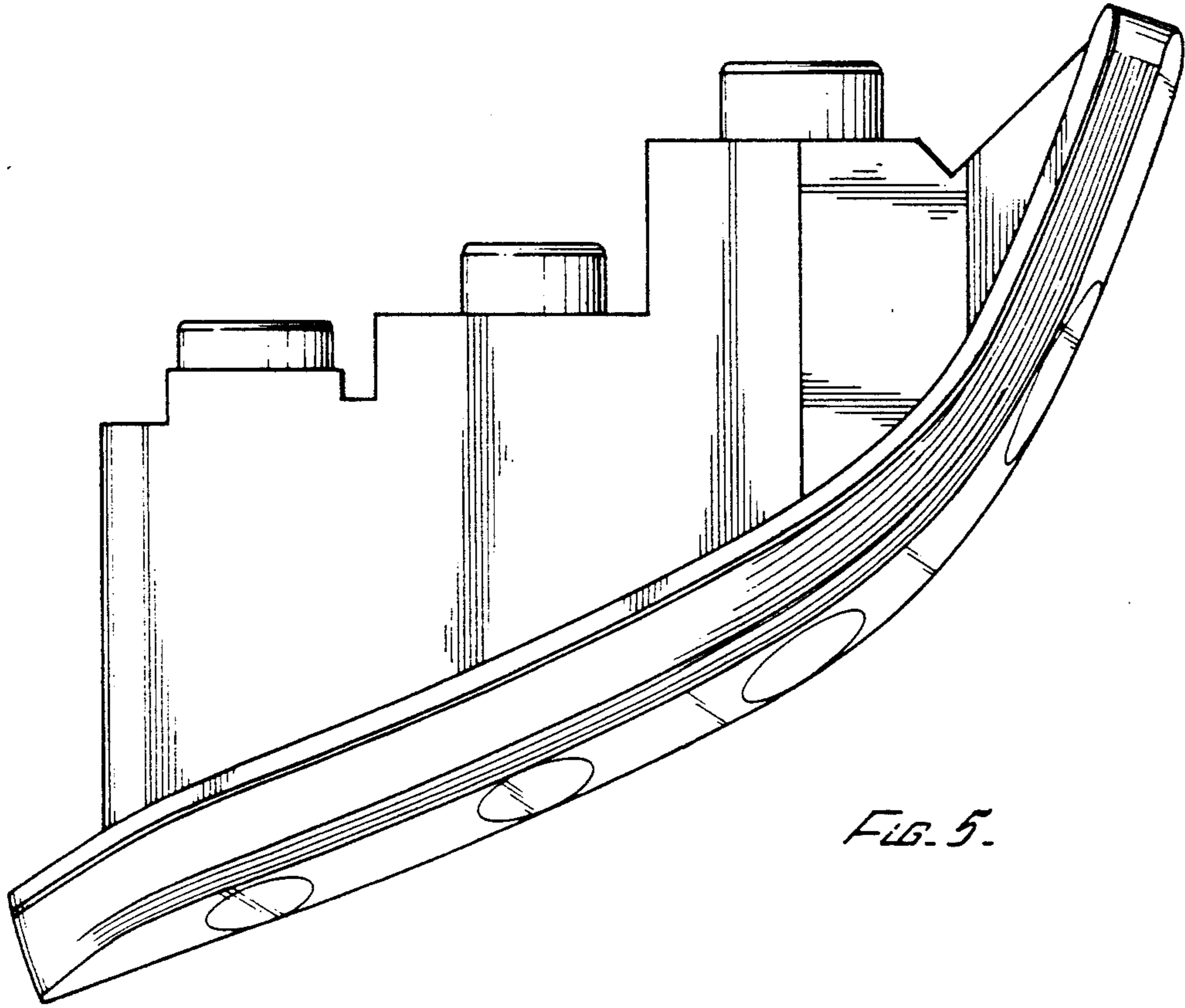


FIG. 5.

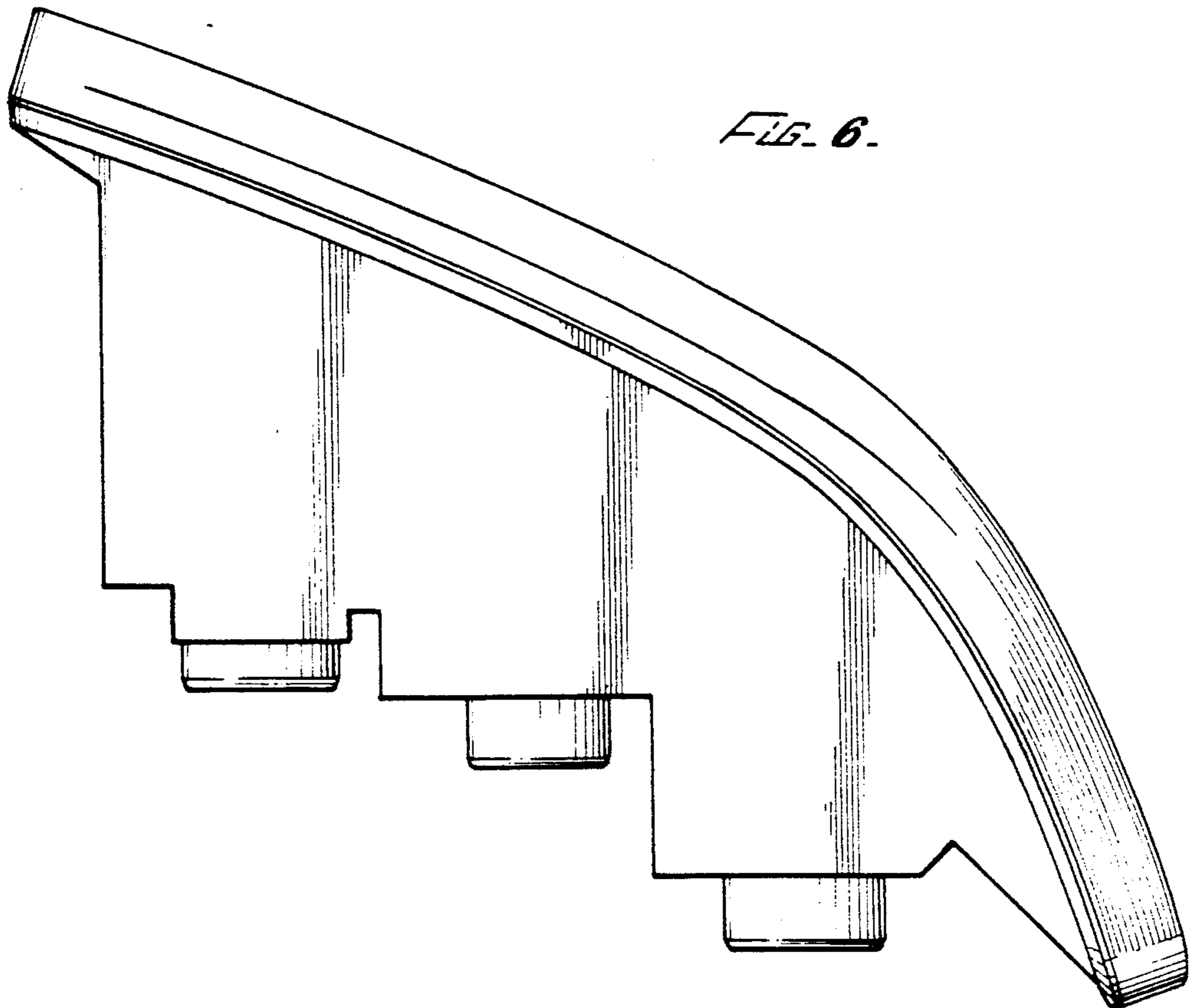


FIG. 6.

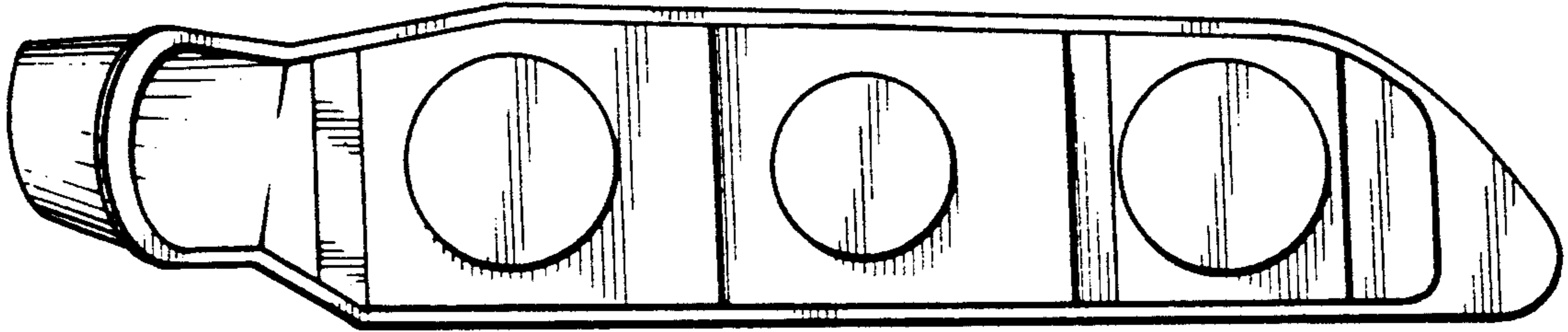


FIG. 1

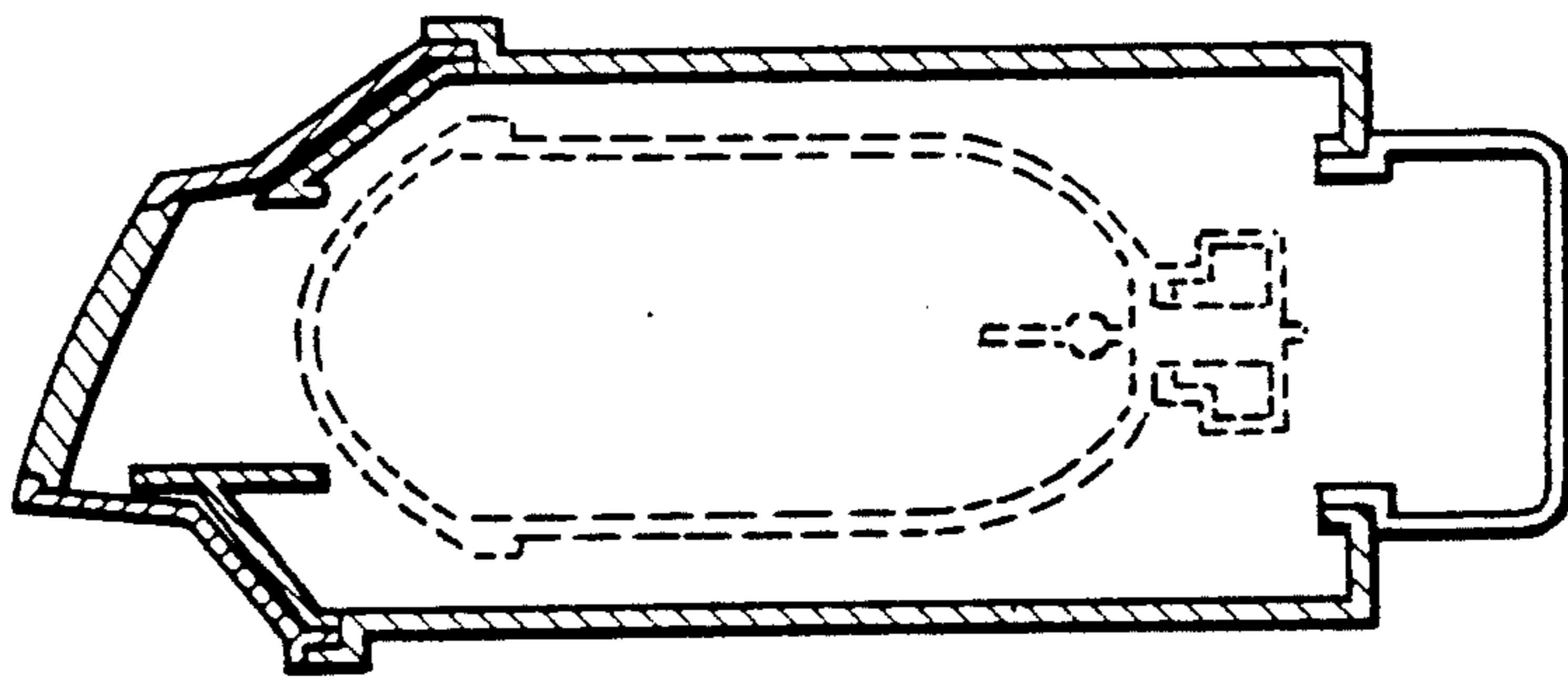


FIG. 8