



US00D349166S

United States Patent [19]

Beard, Jr.

[11] Patent Number: **Des. 349,166**

[45] Date of Patent: **** Jul. 26, 1994**

[54] **CORNER SUPPORT**

[76] Inventor: **Harold W. Beard, Jr.**, P.O. Box 5485, Carefree, Ariz. 85377

[**] Term: **14 Years**

[21] Appl. No.: **920,980**

[22] Filed: **Jul. 28, 1992**

[52] U.S. Cl. **D25/102**

[58] Field of Search 52/246, 264, 280, 288; 248/220.1; D25/102, 58

4,037,376 7/1977 Ball 52/280
4,640,491 2/1987 Grist et al. 248/220.1

Primary Examiner—A. Hugo Word
Assistant Examiner—Doris Clark
Attorney, Agent, or Firm—David G. Rosenbaum

[57] **CLAIM**

The ornamental design for a corner support, as shown and described.

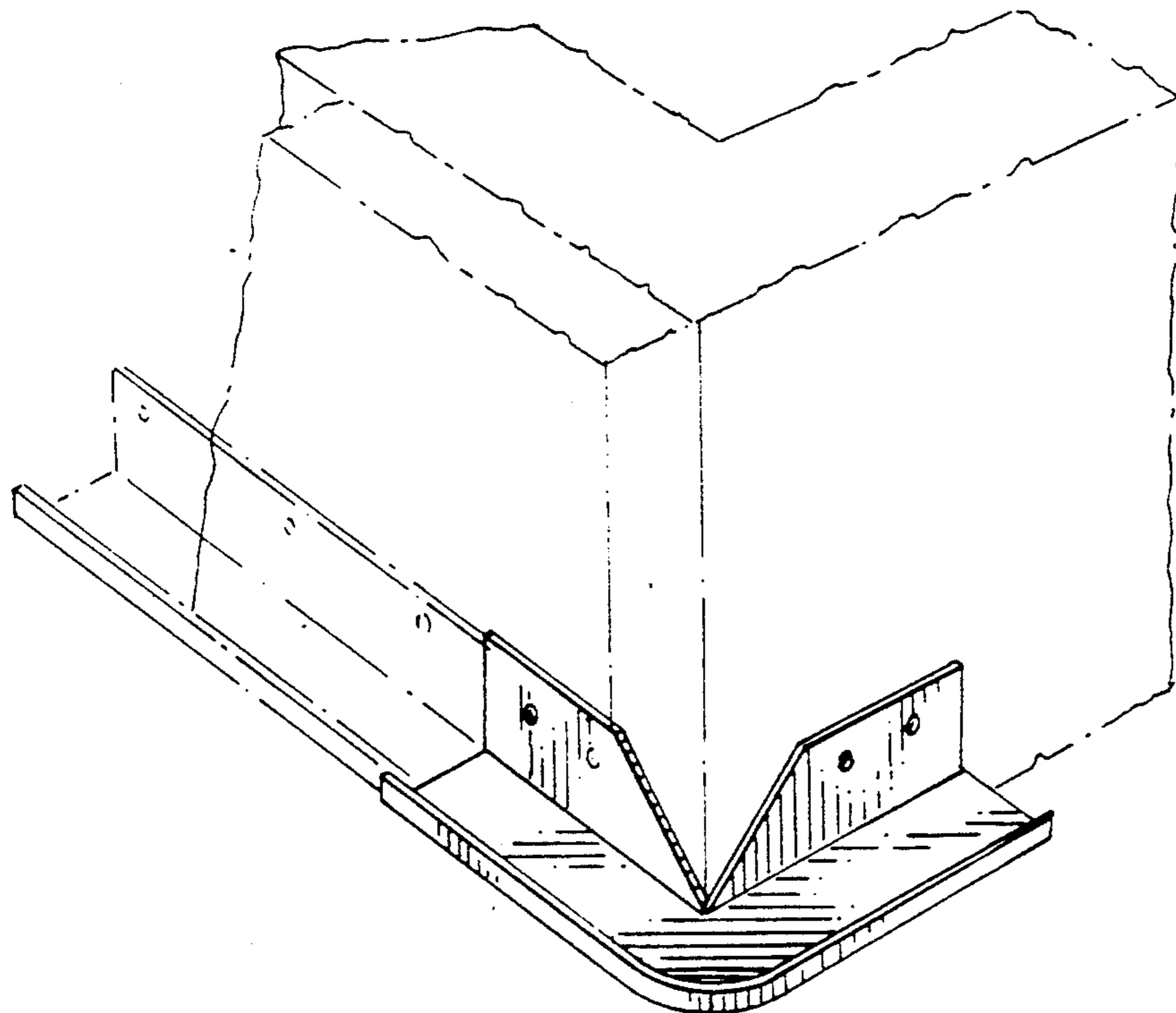
DESCRIPTION

FIG. 1 is a perspective view of the corner support showing my new design, the broken lines showing walls and a straight piece are for illustrative purposes only and form no part of the claimed design;
FIG. 2 is a top plan view thereof;
FIG. 3 is a side elevational view thereof;
FIG. 4 is the opposite side elevational view thereof; and,
FIG. 5 is a bottom plan view thereof.

[56] **References Cited**

U.S. PATENT DOCUMENTS

D. 175,229	7/1955	Neufeld	D25/102
2,069,289	2/1937	Swendsen et al.	D25/102
2,208,227	7/1940	Page	52/280
3,101,184	8/1963	Allen et al.	248/220.1
3,603,054	9/1971	Didry	52/280



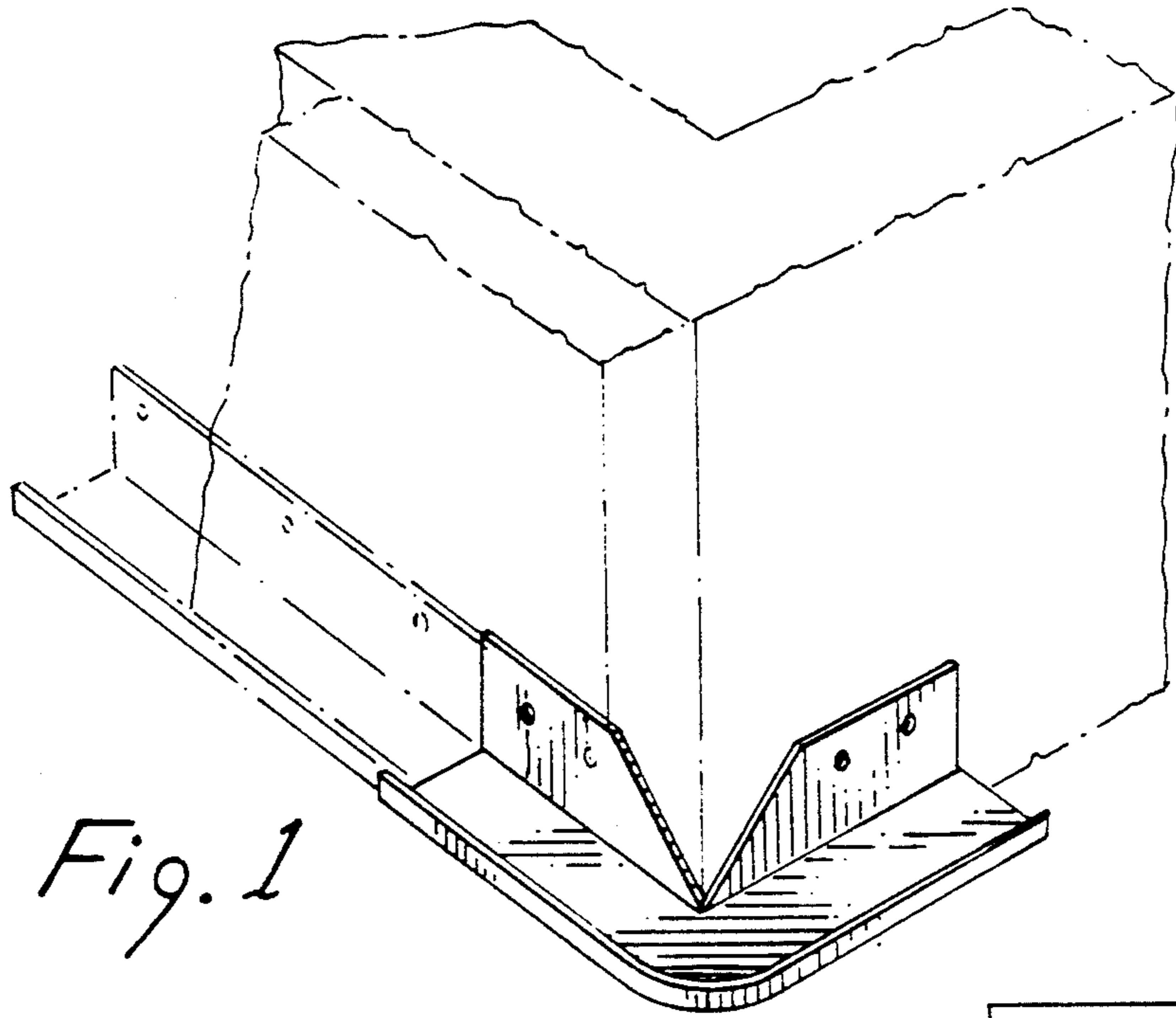


Fig. 1

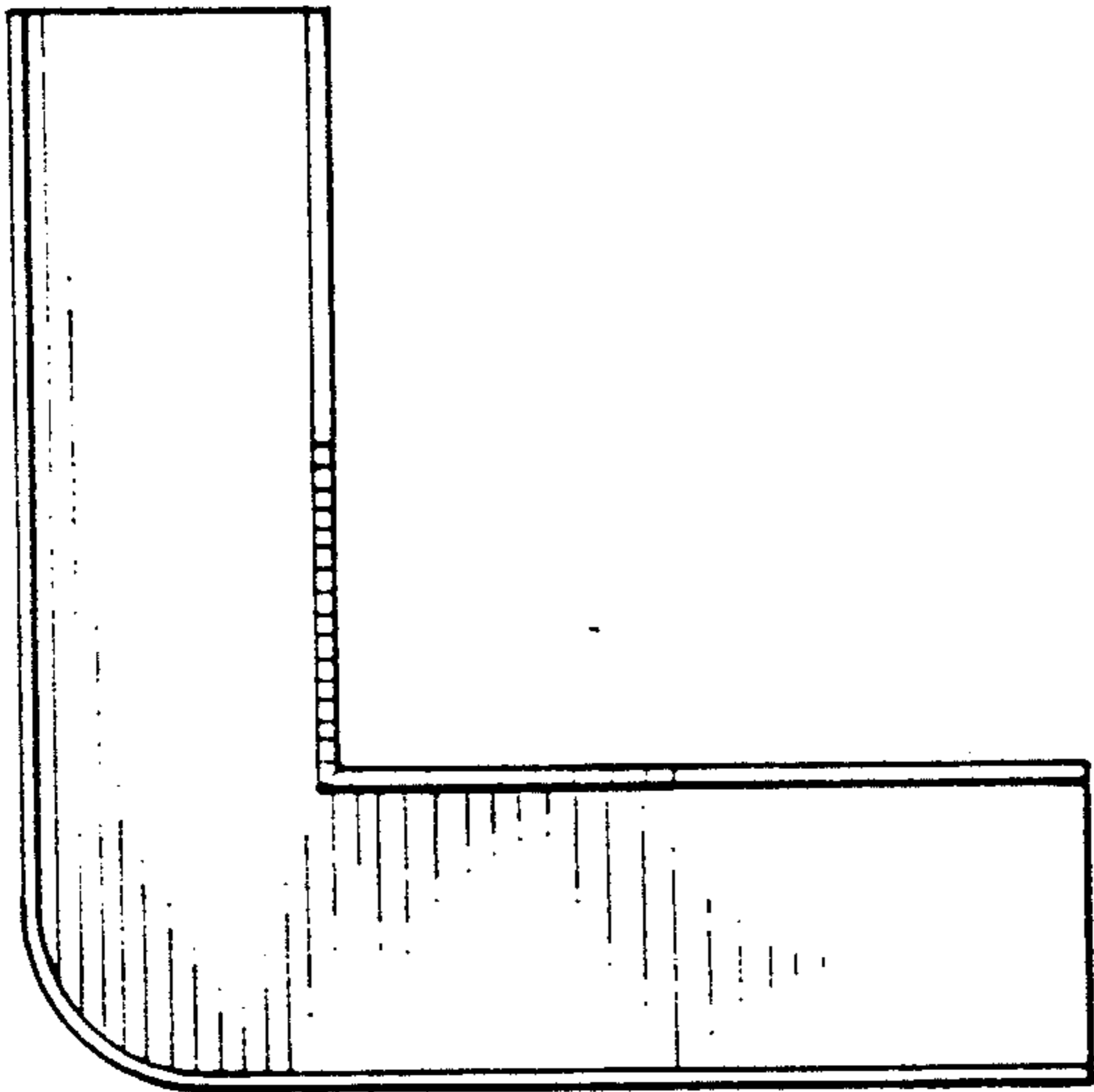


Fig. 2

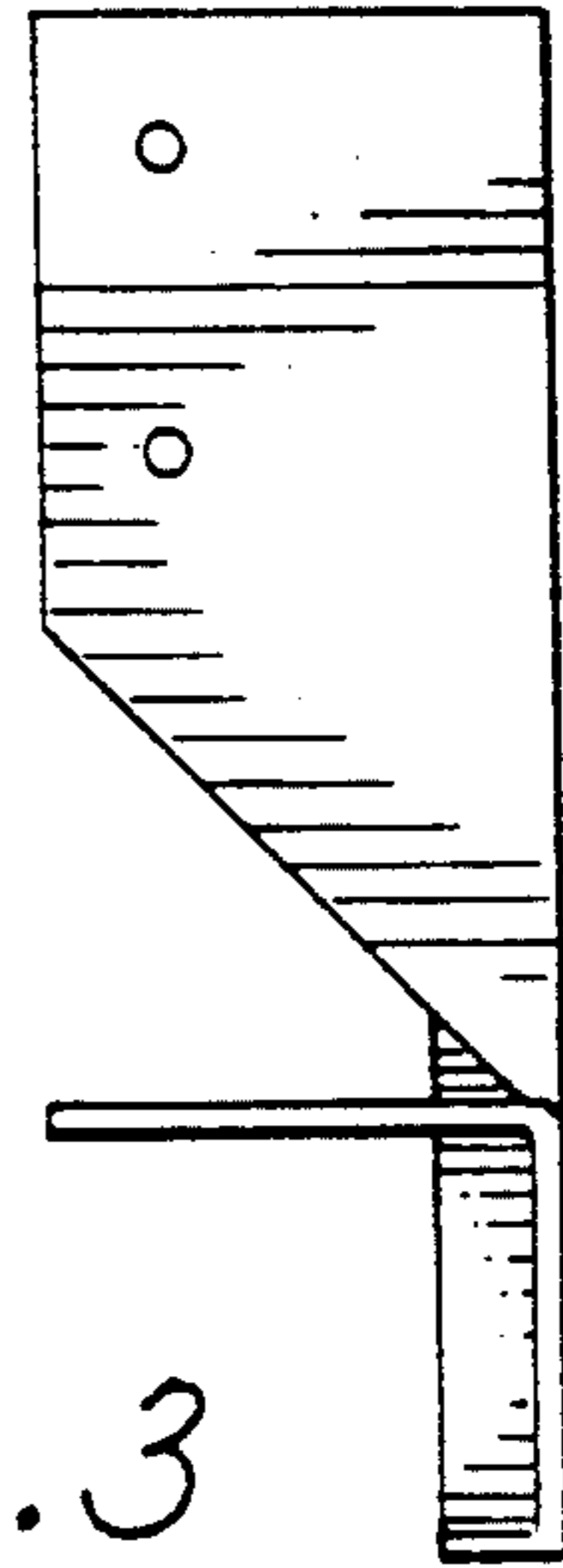


Fig. 3



Fig. 4

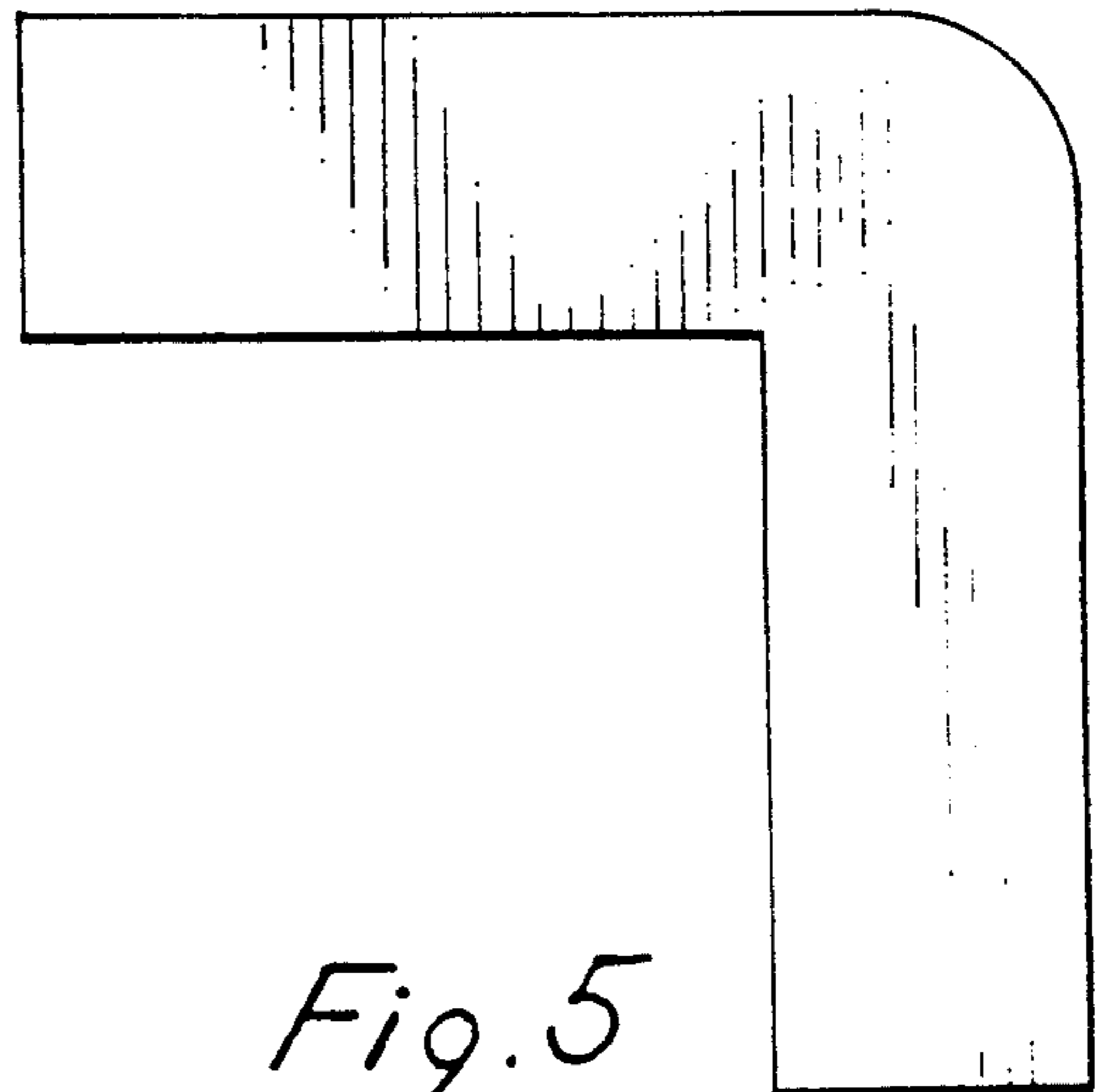


Fig. 5