



US00D349165S

# United States Patent [19]

[11] Patent Number: **Des. 349,165**

**Jasmund**

[45] Date of Patent: **\*\* Jul. 26, 1994**

[54] **SAWHORSE LEG**

D. 325,639	4/1992	Tavella .....	D25/68
3,126,188	3/1964	Dieas .....	182/185
4,386,678	6/1983	Wendell .....	182/185

[76] Inventor: **Otto Jasmund**, 36642 Fordson, Mt. Clemens, Mich. 48043

*Primary Examiner*—A. Hugo Word  
*Assistant Examiner*—Doris Clark  
*Attorney, Agent, or Firm*—Terry M. Gernstein

[\*\*] Term: **14 Years**

[21] Appl. No.: **926**

[57] **CLAIM**

[22] Filed: **Oct. 29, 1992**

The ornamental design for a sawhorse leg, as shown and described.

[52] U.S. Cl. .... **D25/68**

[58] Field of Search ..... 187/181, 184, 185, 224, 187/225, 226; D6/396; D25/67-68

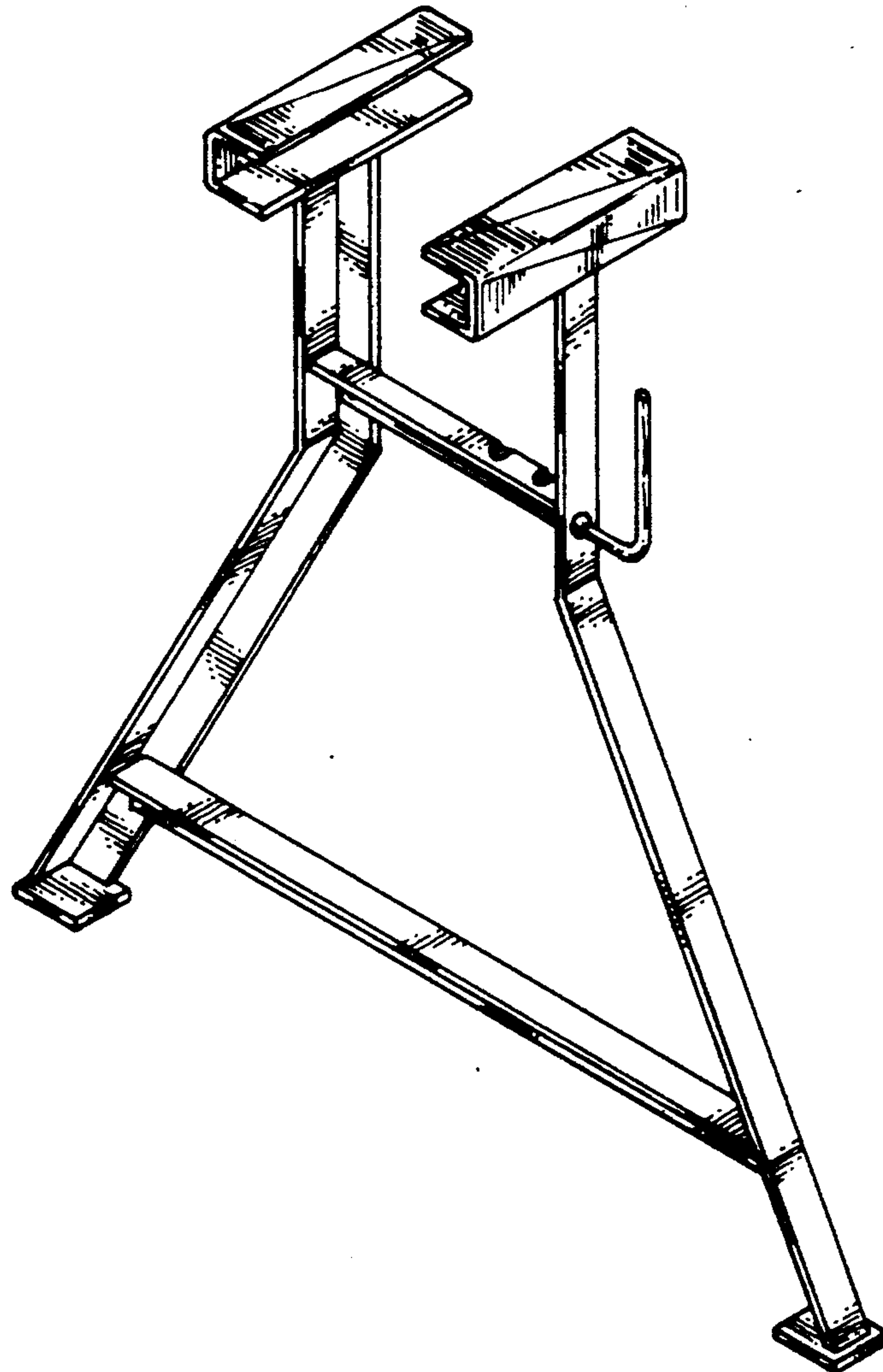
**DESCRIPTION**

[56] **References Cited**

**U.S. PATENT DOCUMENTS**

D. 199,330	10/1964	Gilmoor .....	182/224
D. 213,254	1/1969	Hollingsworth .....	D25/67
D. 256,641	9/1980	Wilson .	
D. 279,736	7/1985	Zastera .	
D. 300,993	5/1989	Guitier .	

FIG. 1 is a front, top and side perspective view of the sawhorse leg showing my new design; FIG. 2 is a front elevational view thereof; FIG. 3 is a rear elevational view thereof; FIG. 4 is a side elevational view thereof; FIG. 5 is the side opposite elevational view thereof; FIG. 6 is a top plan view thereof; and, FIG. 7 is a bottom plan view thereof.



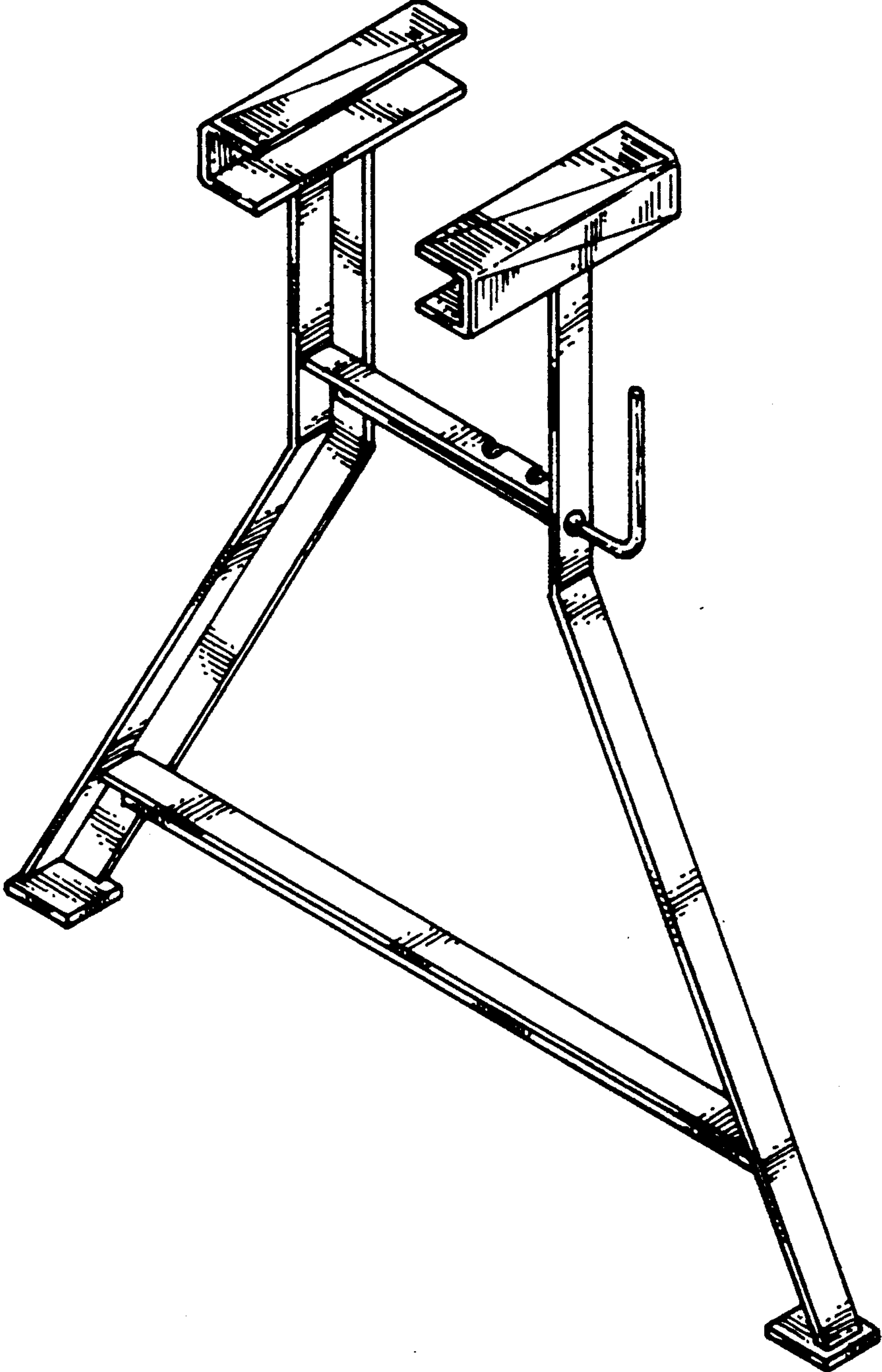


FIG. 1

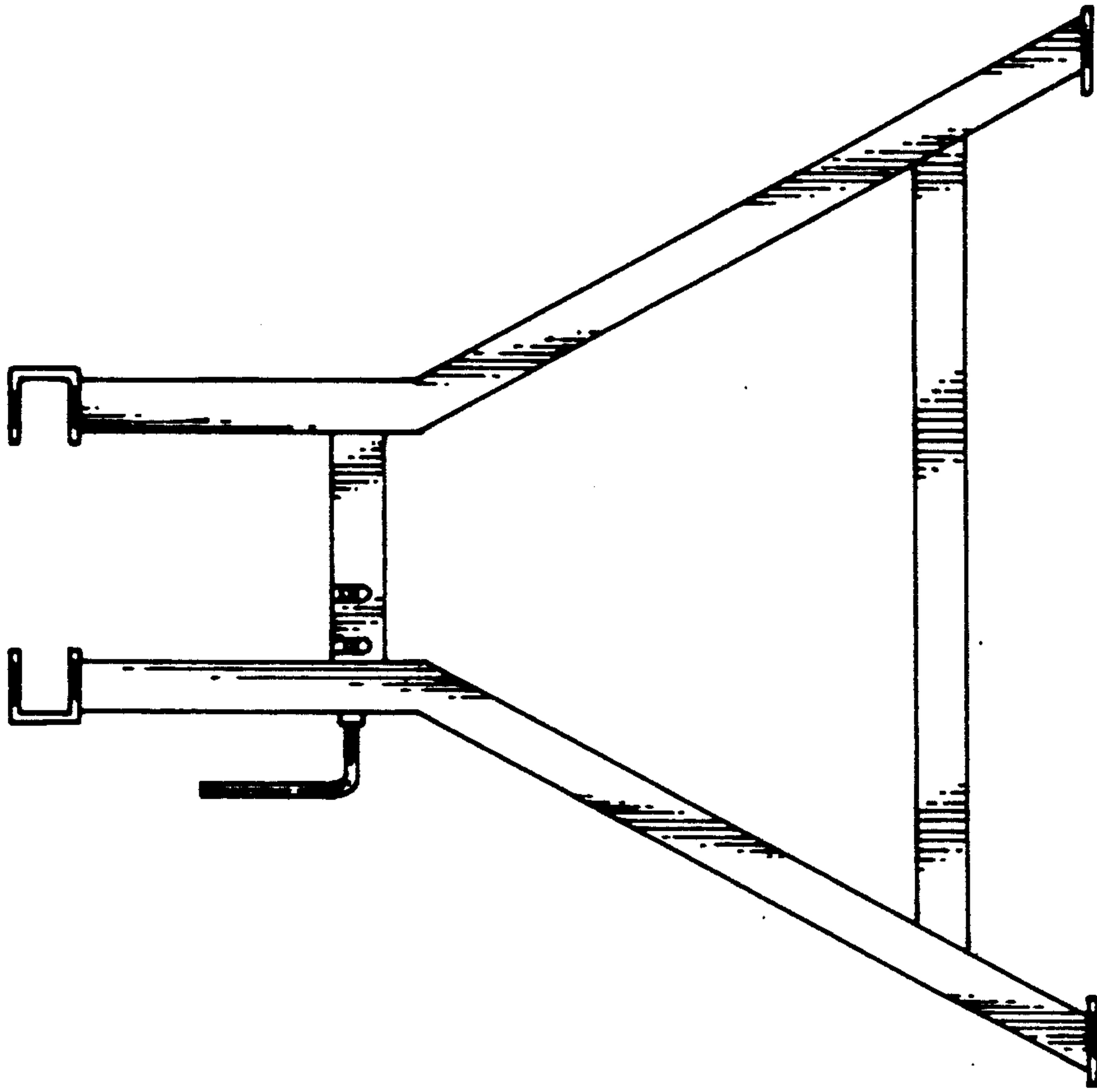


FIG. 3

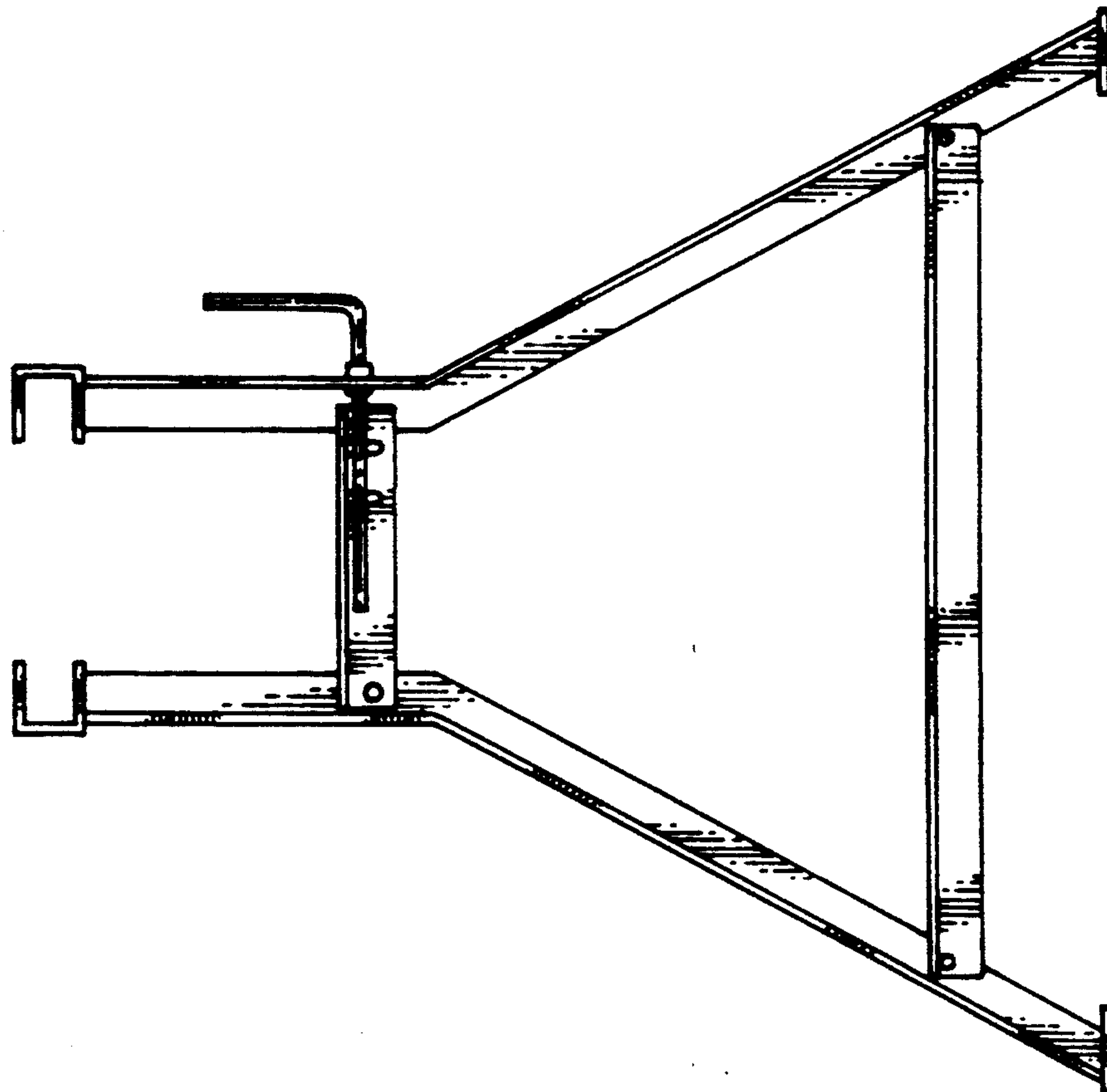


FIG. 2

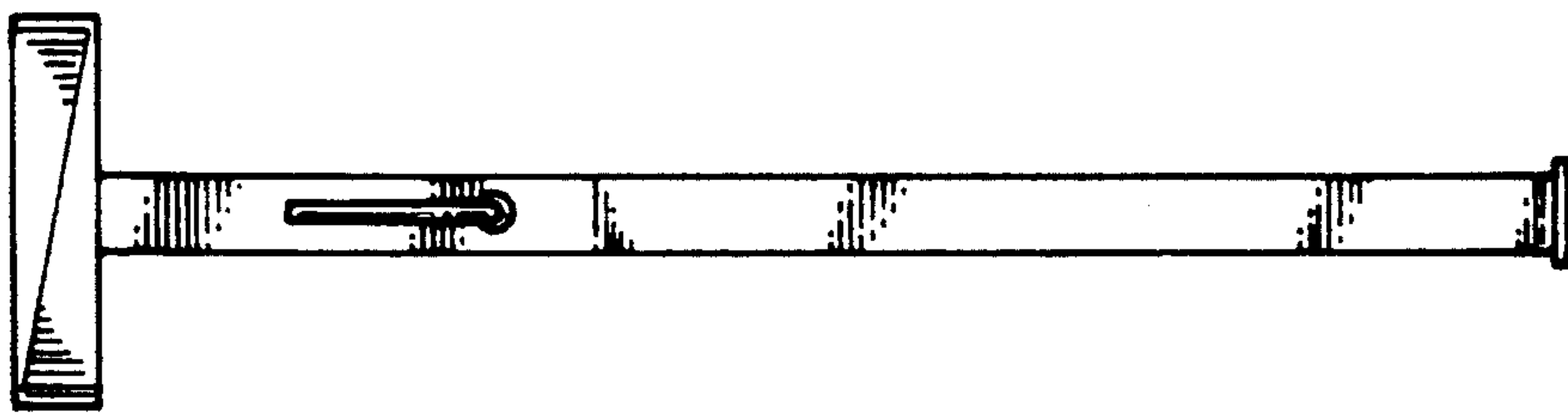


FIG. 4

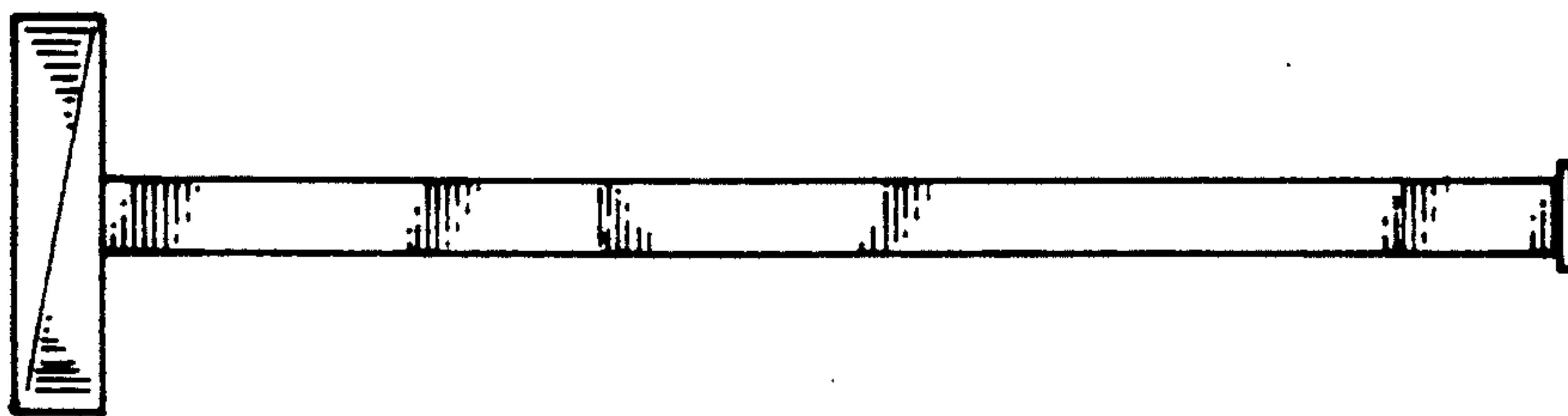


FIG. 5

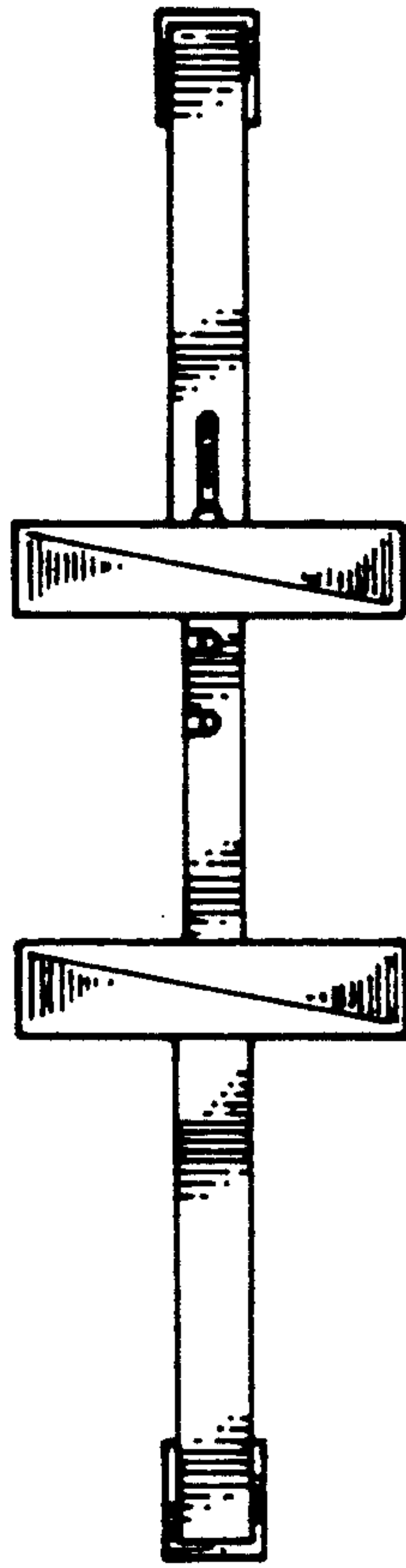


FIG. 6

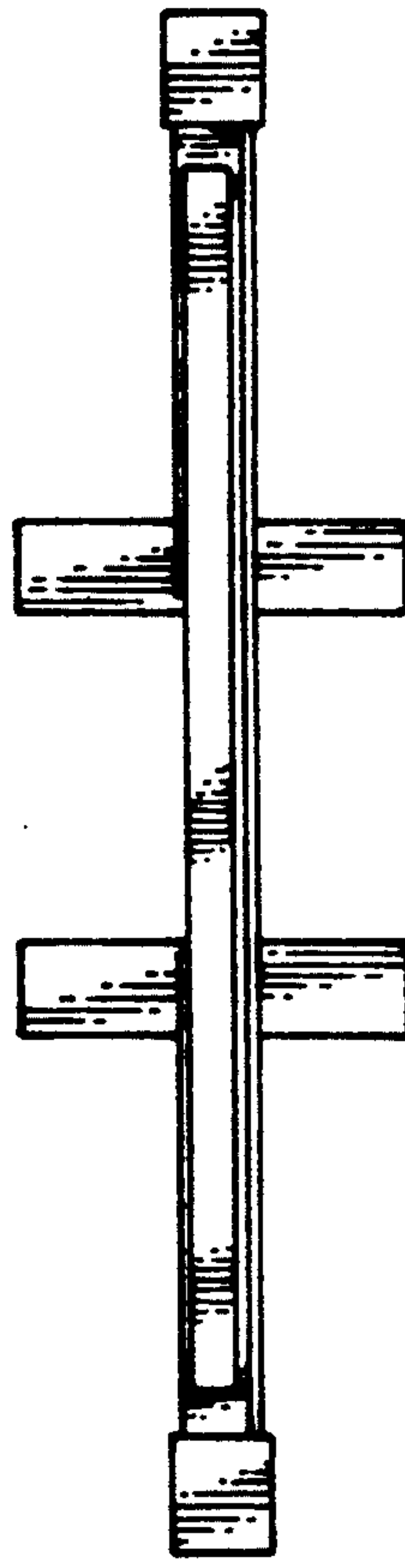


FIG. 7