



US00D349163S

United States Patent [19]

Rasmussen

[11] Patent Number: Des. 349,163

[45] Date of Patent: ** Jul. 26, 1994

[54] SHELTER FOR A VEHICLE

[76] Inventor: **Brian S. Rasmussen**, 1112 Linden Ave. #204, Glendale, Calif. 91201

[**] Term: **14 Years**

[21] Appl. No.: **1,706**

[22] Filed: **Nov. 20, 1992**

[52] U.S. Cl. **D25/33; D25/16**

[58] Field of Search **D3/36; 224/42.03 B; 296/136, 78.1; 52/65, 69, 79.1, 64, 67; D25/33, 16, 56**

4,171,145	10/1979	Pearson	296/78.1
4,894,961	1/1990	Robbins	52/69
4,984,399	1/1991	Taylor	52/64
4,986,037	1/1991	Jackson, Jr.	D25/16 X

Primary Examiner—A. Hugo Word
Assistant Examiner—Doris V. Coles
Attorney, Agent, or Firm—Terry M. Gernstein

[57] **CLAIM**

The ornamental design for a shelter for a vehicle, as shown and described.

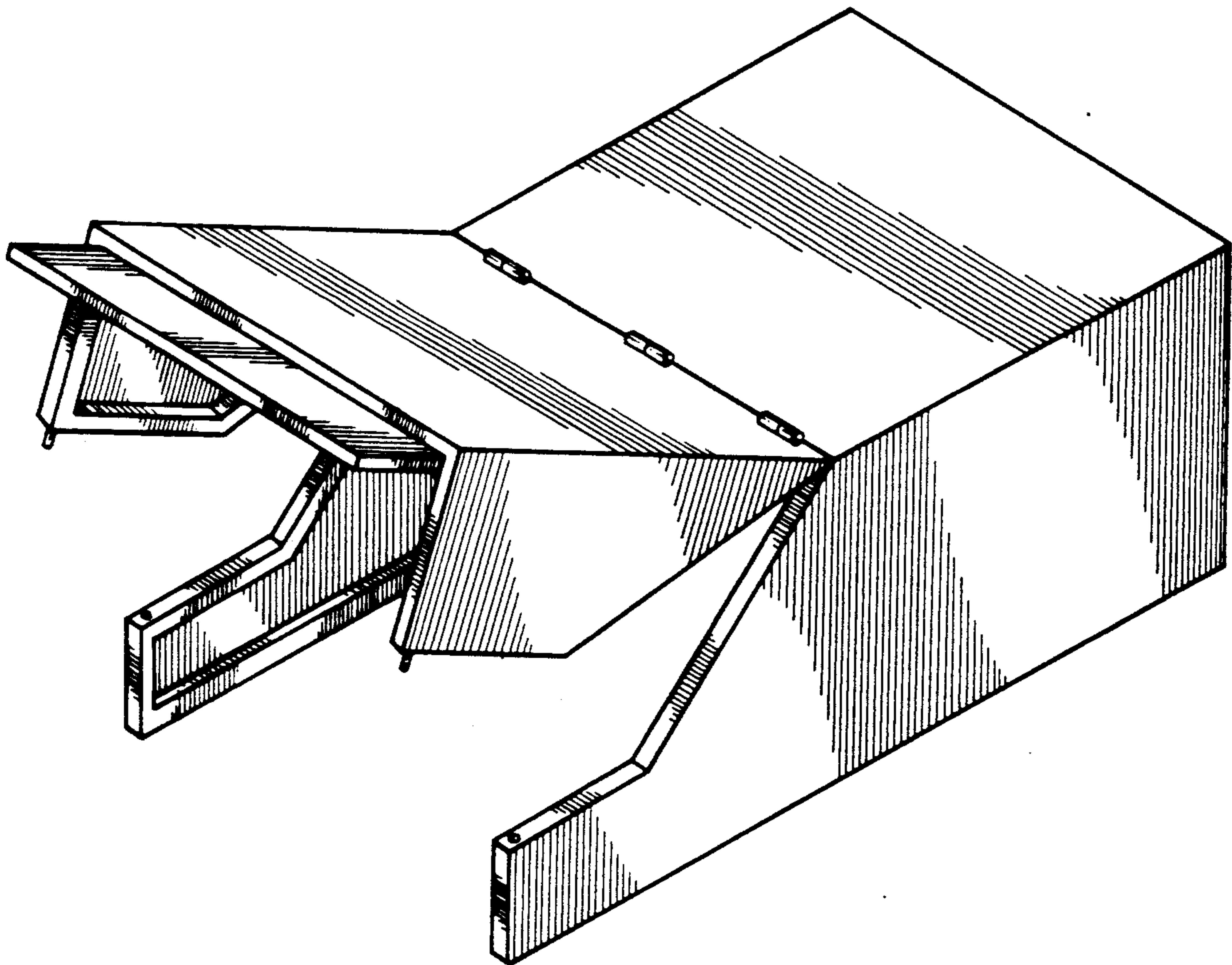
DESCRIPTION

FIG. 1 is a front, top and side perspective view of the shelter for a vehicle showing my new design in the open condition;
FIG. 2 is a front end elevational view in the closed condition;
FIG. 3 is a rear elevational view thereof;
FIG. 4 is a side elevational view thereof, the side opposite being a mirror image of the side shown in FIG. 4;
FIG. 5 is a top plan view thereof; and,
FIG. 6 is a bottom plan view thereof.

[56] **References Cited**

U.S. PATENT DOCUMENTS

D. 334,837	4/1993	Bradley	D3/36
3,600,866	8/1971	Griffith	52/64
3,884,523	5/1975	Allen	296/136
3,949,528	4/1976	Hartger et al.	D25/16 X
3,968,913	7/1976	Weed	224/42.03 B
4,016,686	4/1977	Hartger et al.	D25/16 X
4,133,148	1/1979	Swenumson	52/64



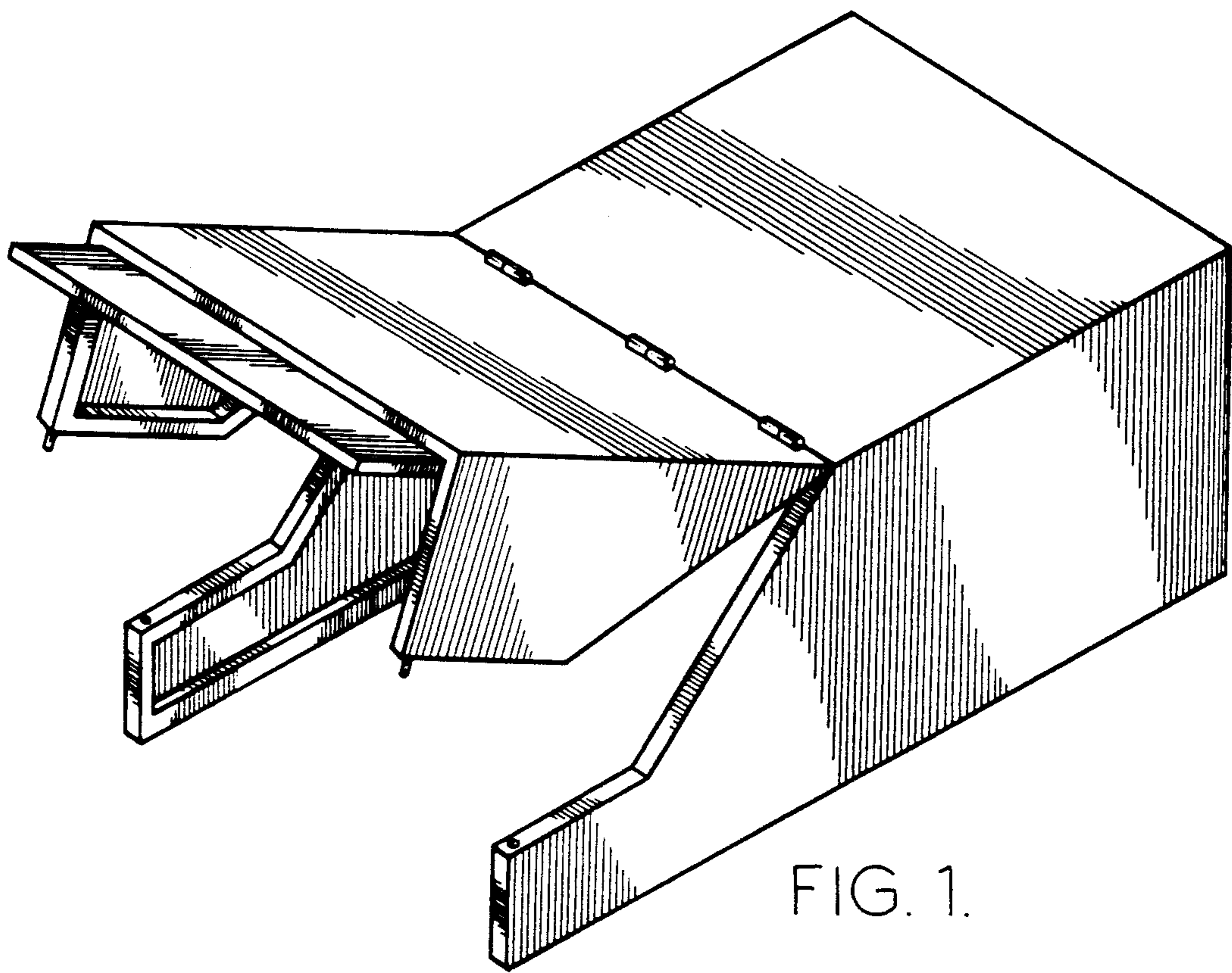


FIG. 2.

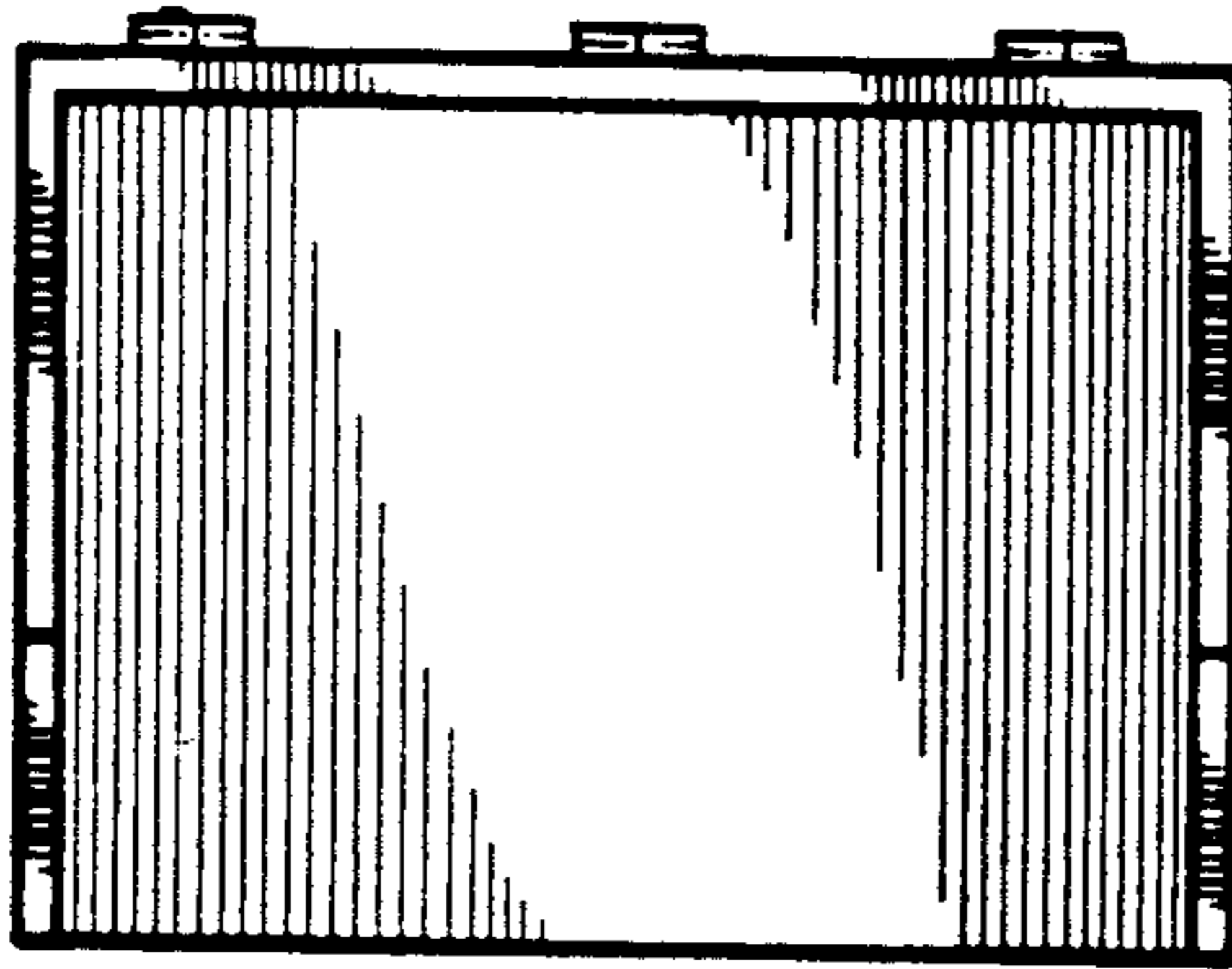


FIG. 3.

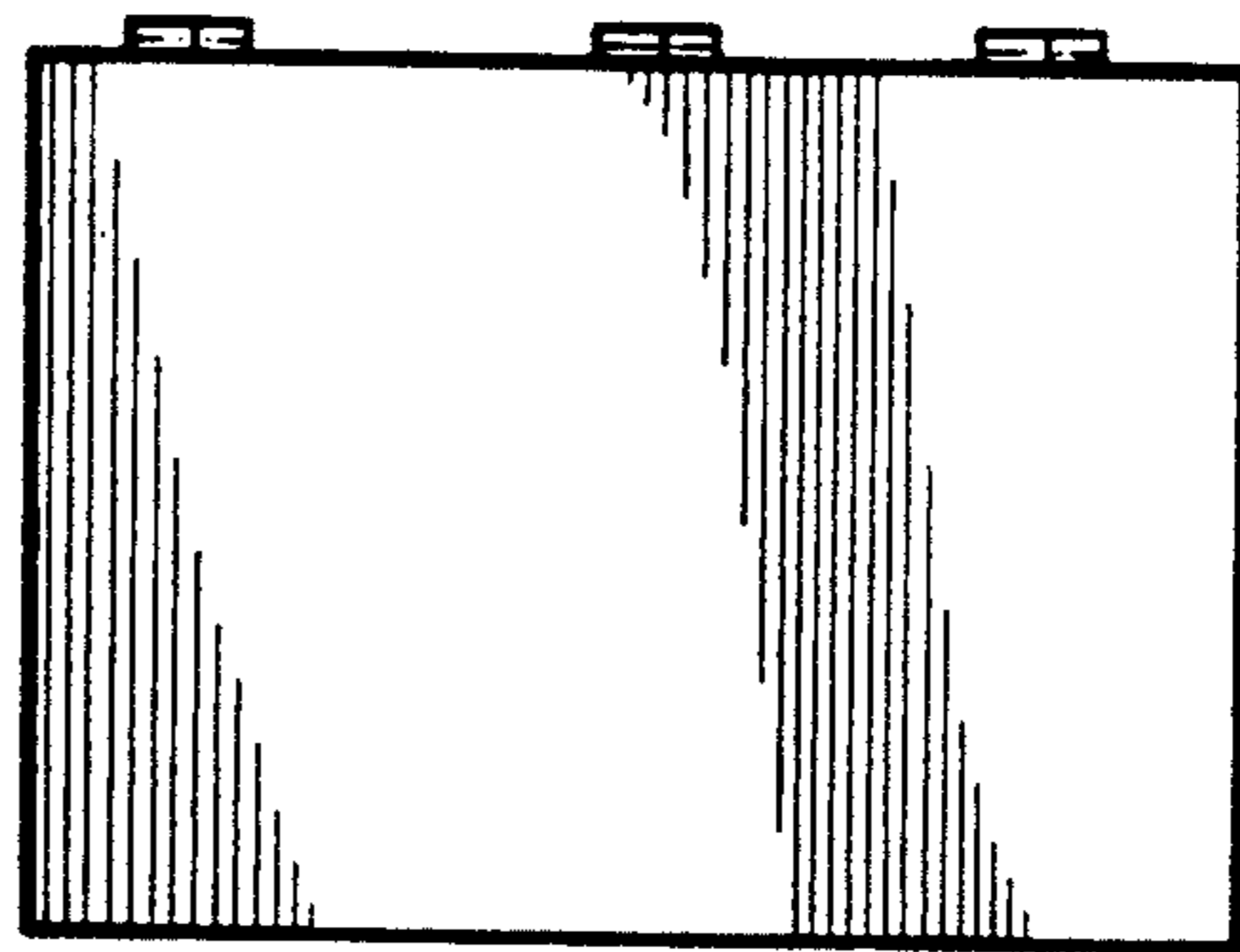


FIG. 4.

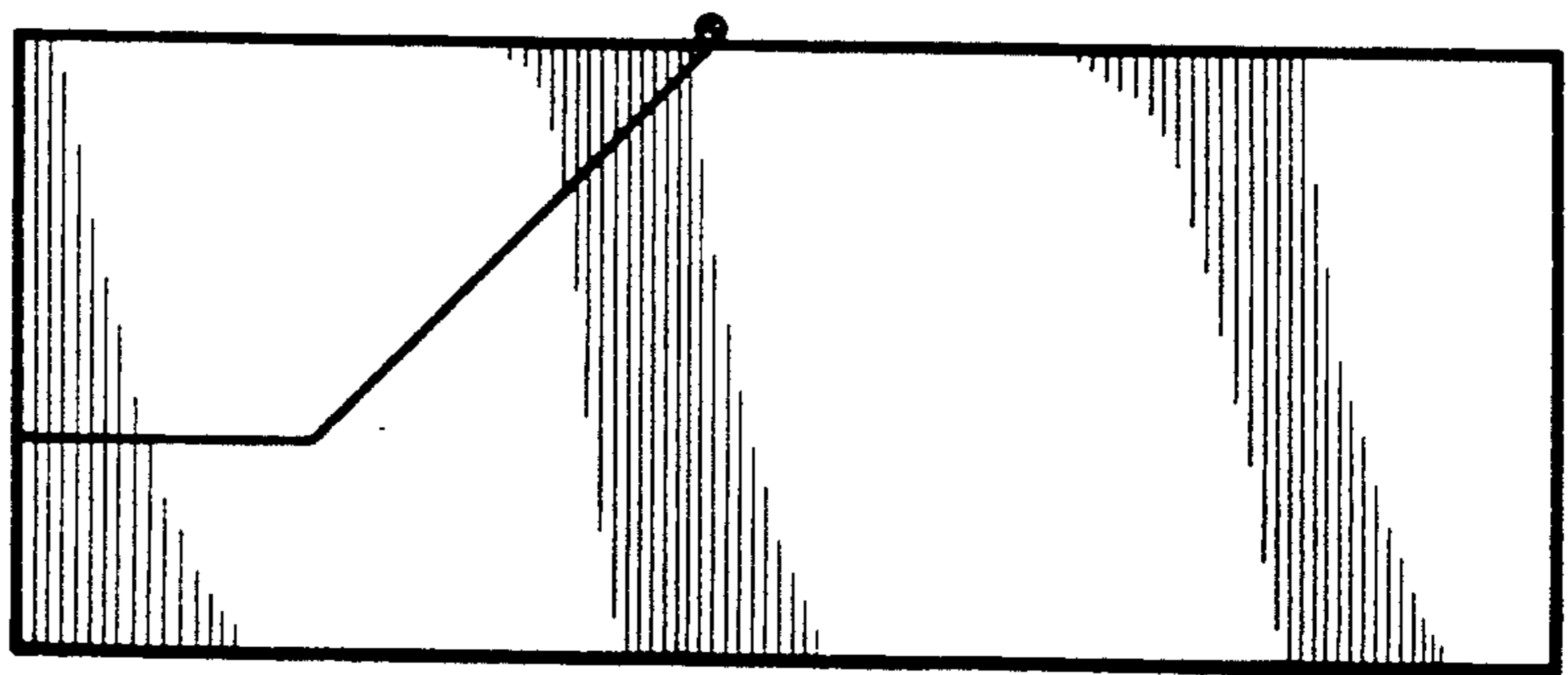


FIG. 5.

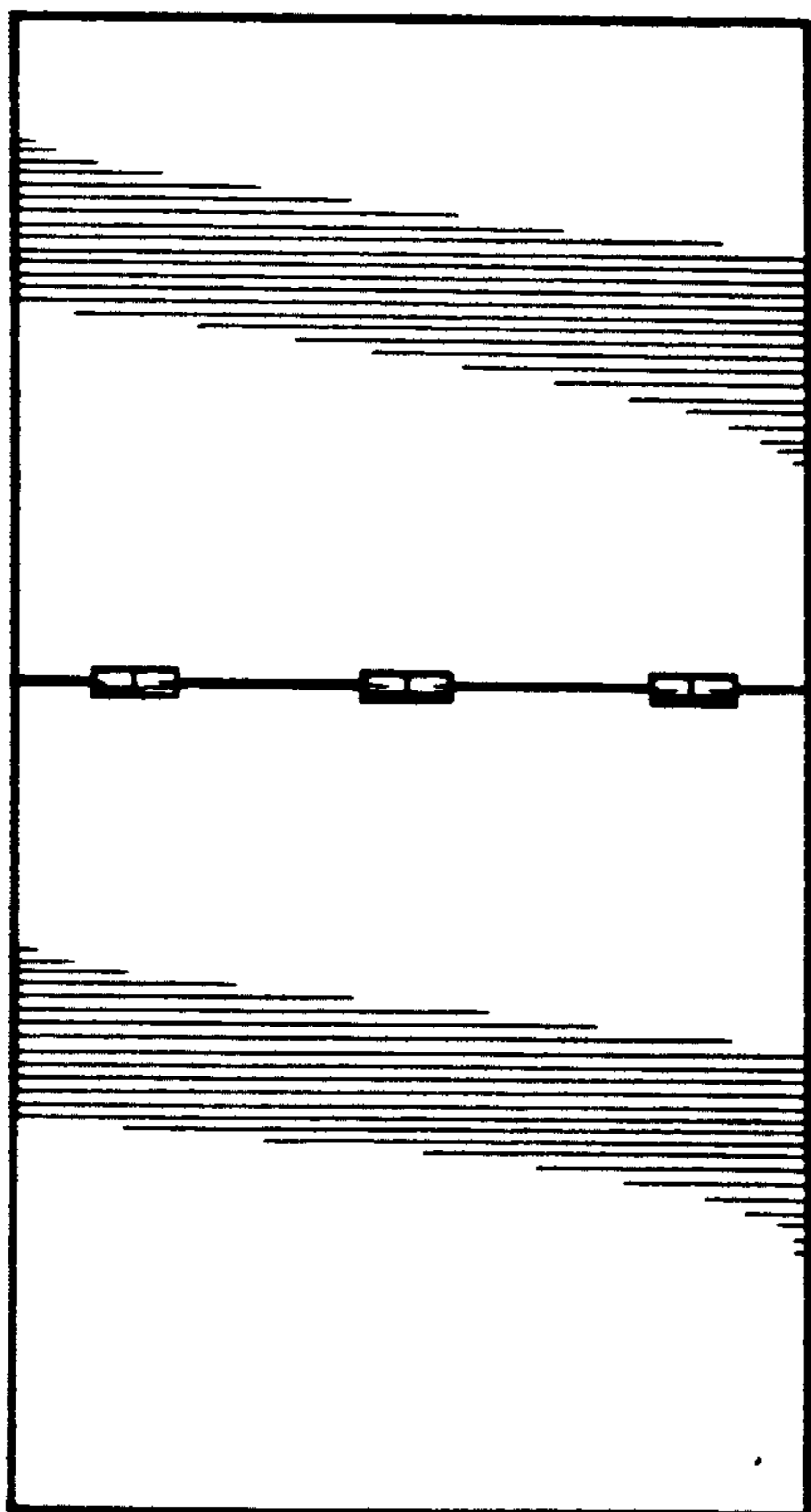


FIG. 6.

