



US00D349162S

United States Patent [19]

[11] Patent Number: Des. 349,162

Nordstrom et al.

[45] Date of Patent: ** Jul. 26, 1994

- [54] CONTROL UNIT FOR DENTAL INSTRUMENTS
- [75] Inventors: Carl G. Nordstrom, Lake Oswego; Raymond G. Reed, Milwaukie, both of Oreg.
- [73] Assignee: A-Dec, Inc., Newberg, Oreg.
- [**] Term: 14 Years
- [21] Appl. No.: 4,341
- [22] Filed: Feb. 2, 1993
- [52] U.S. Cl. D24/177
- [58] Field of Search 433/52 } 54,
433/27-28, 25, 103-105, 49, 72, 125, 77, 79;
D24/176-179

- [56] **References Cited**
- U.S. PATENT DOCUMENTS
- | | | | |
|------------|---------|------------------------|----------|
| D. 217,249 | 4/1970 | Krantz | D24/177 |
| D. 218,165 | 7/1970 | Schleicher et al. | D24/177 |
| D. 231,676 | 5/1974 | House, II | D24/177 |
| D. 243,188 | 1/1977 | Meyer . | |
| D. 288,122 | 2/1987 | McGaha et al. | D24/177 |
| D. 328,791 | 8/1992 | Nordstrom et al. . | |
| 3,718,974 | 3/1973 | Buchtel et al. . | |
| 3,771,226 | 11/1973 | Lieb et al. . | |
| 3,918,161 | 11/1975 | Morgan et al. . | |
| 4,206,546 | 6/1980 | Runnells et al. | 433/79 |
| 4,676,750 | 6/1987 | Mason . | |
| 4,770,632 | 9/1988 | Ryder et al. | 433/28 |
| 4,878,709 | 11/1989 | Okamoto . | |
| 4,883,316 | 11/1989 | Austin, Jr. et al. . | |
| 4,952,146 | 8/1990 | Doty . | |
| 5,107,899 | 4/1992 | Murphy | 433/28 X |
| 5,161,970 | 11/1992 | Baskas | 433/79 X |

- OTHER PUBLICATIONS
- A-Dec "Century" two-page brochure circa Jan. 1978.
 - Takara Belmont 50-page dental equipment catalog, cover and pp. 10, 14, 19-25, circa Jan. 1991.
 - Anthos "Teseo" six-page brochure circa Jan. 1992.
 - A-Dec 117-page equipment catalog, cover and pp. 31-36, 46, 57-58, January 1991.
 - Signo "Grand" 19-page Japanese language brochure, cover, pp. 10-12, circa January 1991.
 - A-Dec 121-page catalog, cover and pp. 33-38, 48, 59-60, circa September 1991.
 - A-Dec "J-Dec" two-page Japanese language brochure circa January 1991.
 - Robin Dental Company 40-pg. catalog, cover and page 14, February 1985.
 - ETI four-page brochure circa January 1991.
 - Marus Dental Equipment 40-page catalog, cover and page 7, March 1982.
 - Robin Dental Company catalog, cover and pp. I, MHT, circa November 1980.
 - Osada "FX Series" 31-page Japanese language brochure, cover and pp. 16-17, circa January 1991.
 - Dentech 32-page catalog, cover and pp. 6-10, circa January 1991.

- Ampco Dental Products four-page brochure circa January 1991.
- Engle "ME-2" two-page brochure circa January 1991.
- Takara Belmont 36-page Japanese language brochure, cover and page 18, circa January 1991.
- KaVo "Systematica® 1060" four-page French language brochure, circa January 1991.
- S-T Products "Performers" six-page brochure, first page, July 1983.
- Belmont one-page photograph, circa January 1991.
- Dentrex "Delivery System" four-page brochure, cover page, circa January 1991.

Primary Examiner—Wallace R. Burke
Assistant Examiner—M. H. Tung
Attorney, Agent, or Firm—Klarquist Sparkman
 Campbell Leigh & Whinston

[57] **CLAIM**

The ornamental design for a control unit for dental instruments, as shown and described.

DESCRIPTION

FIG. 1 is a perspective view of a control unit for dental instruments showing our new design;
 FIG. 2 is a left-side elevation view of the unit of FIG. 1;
 FIG. 3 is a right-side elevation view of the unit of FIG. 1;
 FIG. 4 is a top plan view of the unit of FIG. 1;
 FIG. 5 is a bottom plan view of the unit of FIG. 1;
 FIG. 6 is a front elevation view of the unit of FIG. 1;
 FIG. 7 is a rear elevation view of the unit of FIG. 1;
 FIG. 8 is a perspective view of an alternative embodiment of a control unit for dental instruments;
 FIG. 9 is a left-side elevation view of the unit of FIG. 8;
 FIG. 10 is a right-side elevation view of the unit of FIG. 8;
 FIG. 11 is a top plan view of the unit of FIG. 8;
 FIG. 12 is a bottom plan view of the unit of FIG. 8;
 FIG. 13 is a front elevation view of the unit of FIG. 8;
 FIG. 14 is a rear elevation view of the unit of FIG. 8;
 FIG. 15 is a perspective view of another alternative embodiment of a control unit for dental instruments;
 FIG. 16 is a left-side elevation view of the unit of FIG. 15;
 FIG. 17 is a right-side elevation view of the unit of FIG. 15;
 FIG. 18 is a top plan view of the unit of FIG. 15;
 FIG. 19 is a bottom plan view of the unit of FIG. 15;
 FIG. 20 is a front elevation view of the unit of FIG. 15;
 and,
 FIG. 21 is a rear elevation view of the unit of FIG. 15.

The broken line drawings of the support for the control unit in FIGS. 2, 3, 9, 10, 16, 17 and the support for dental instruments in FIG. 15 are for illustrative purposes only and form no part of the claimed design.

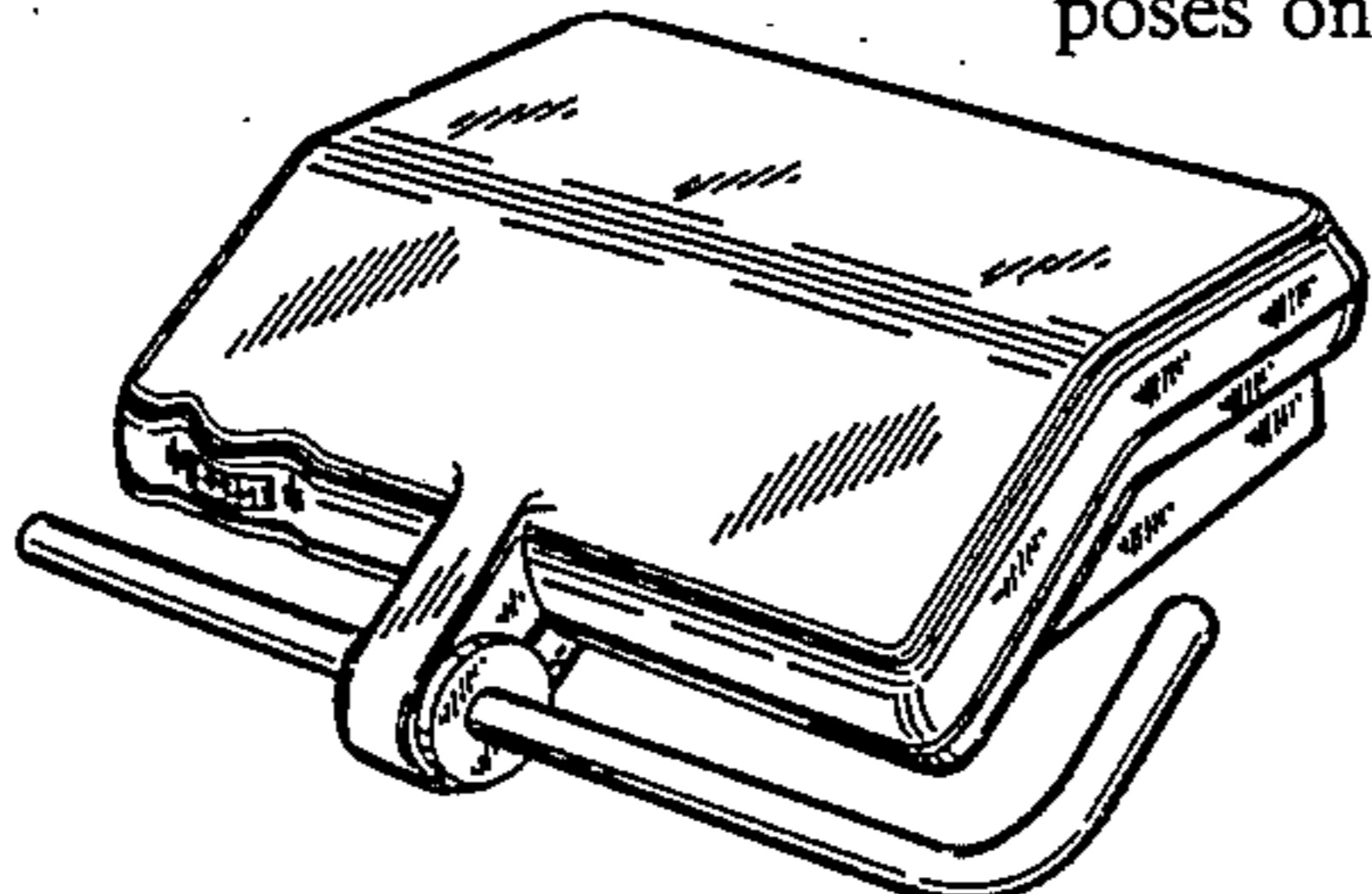


FIG. 1

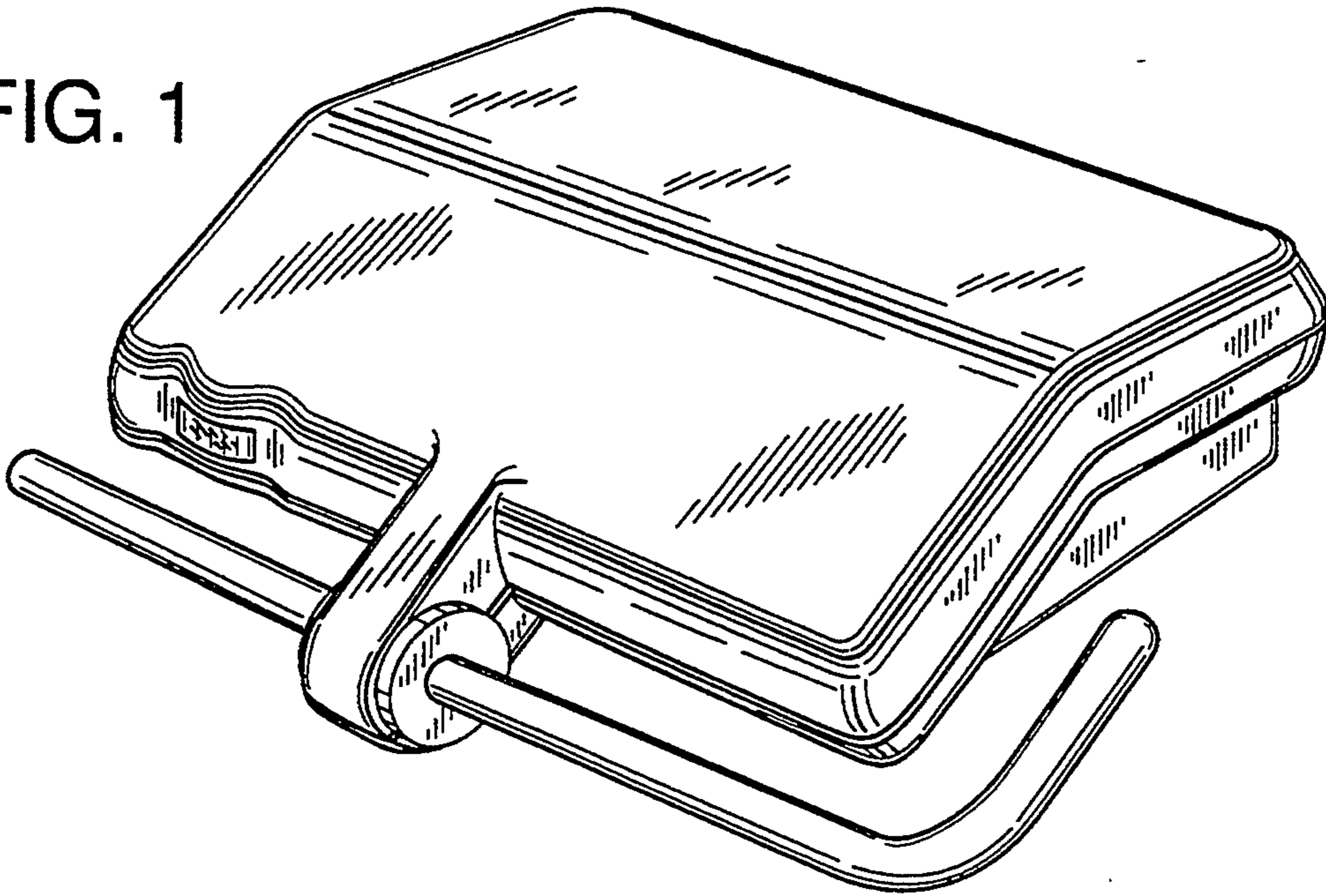


FIG. 2

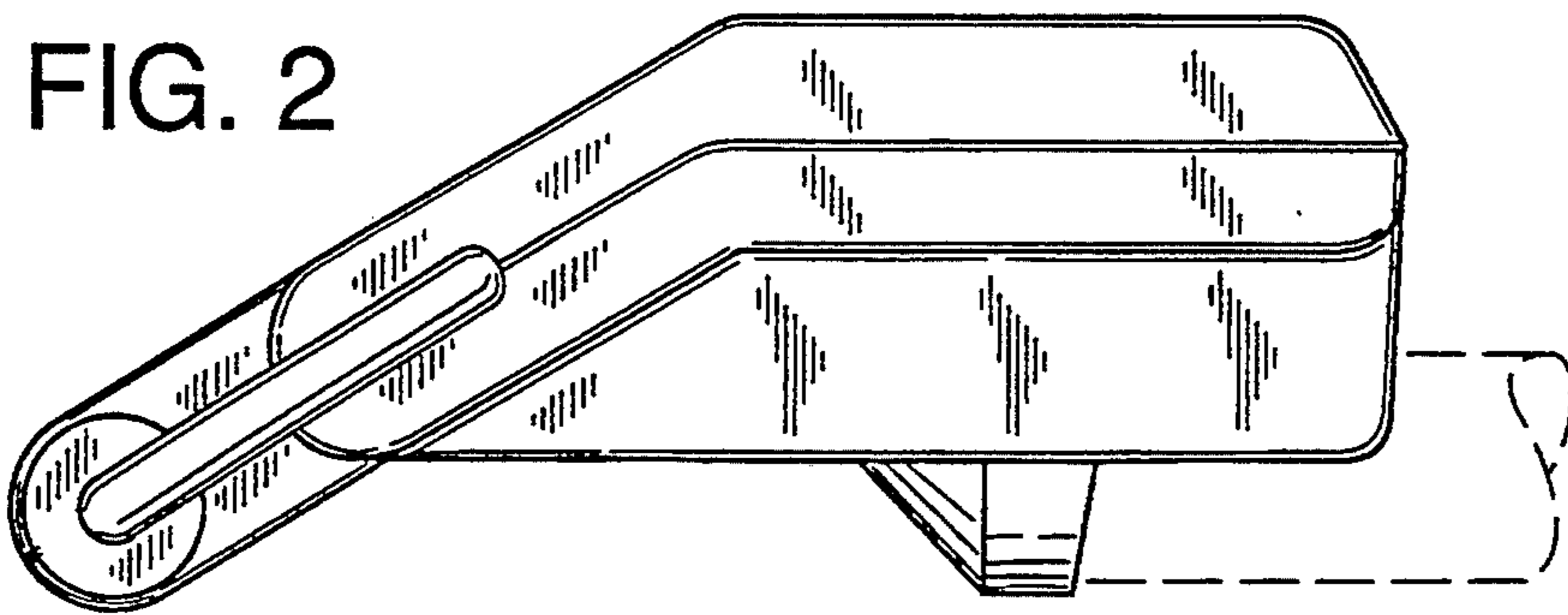
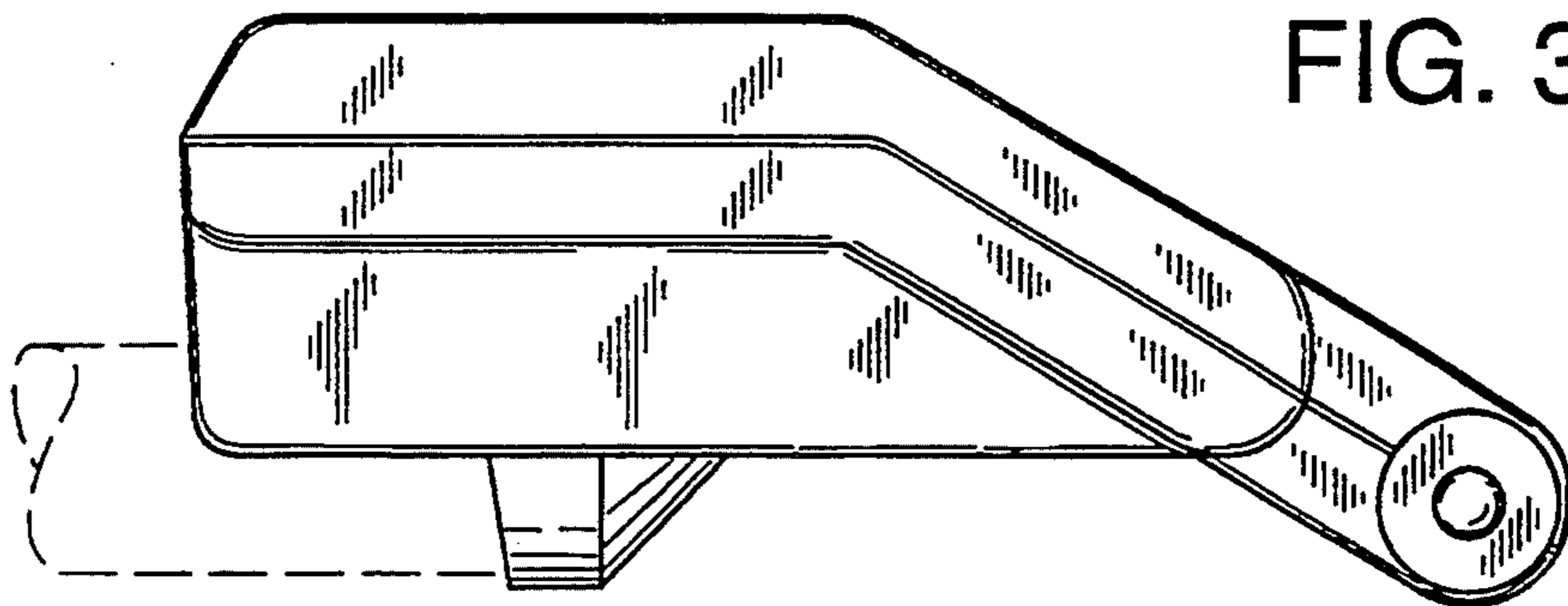


FIG. 3



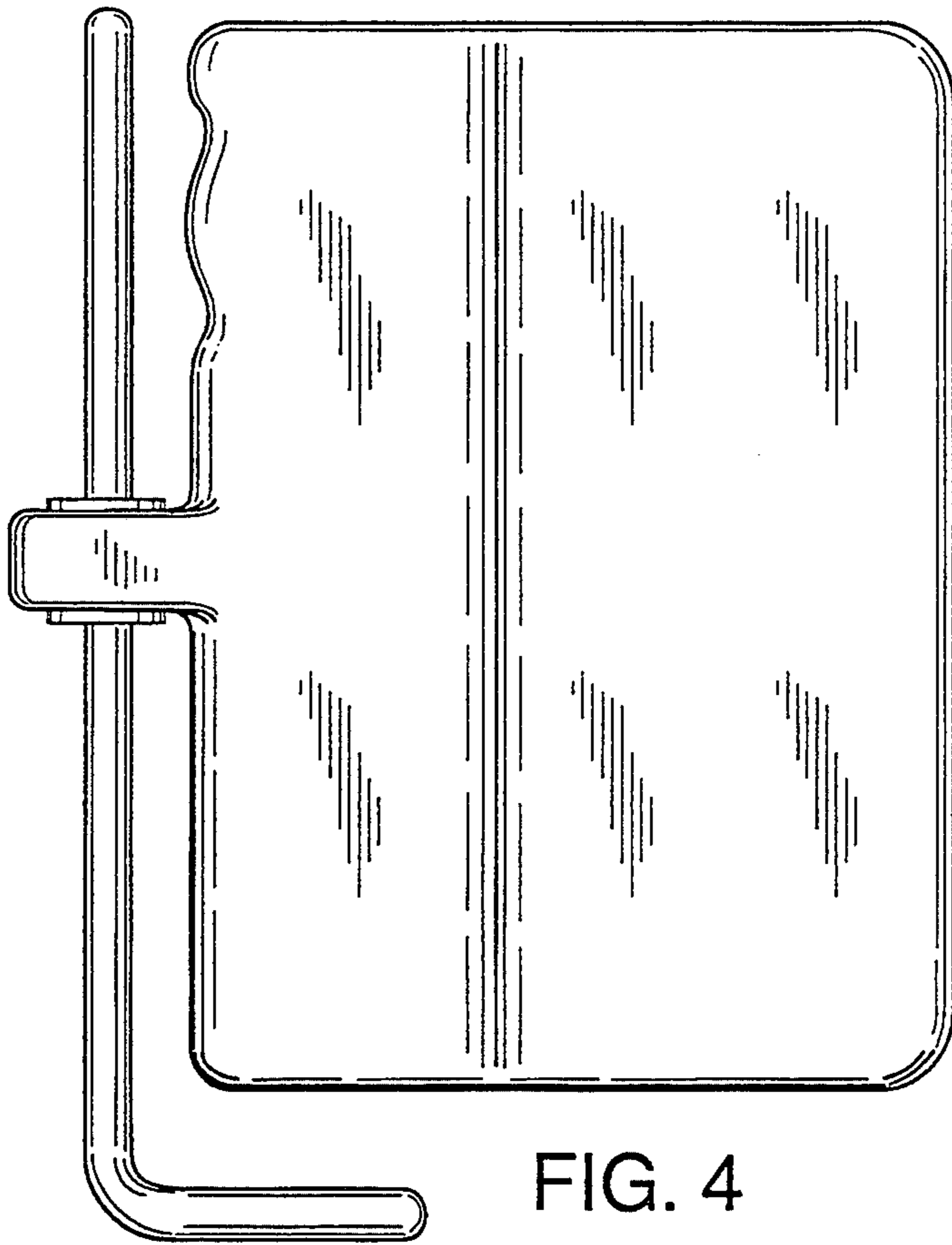


FIG. 4

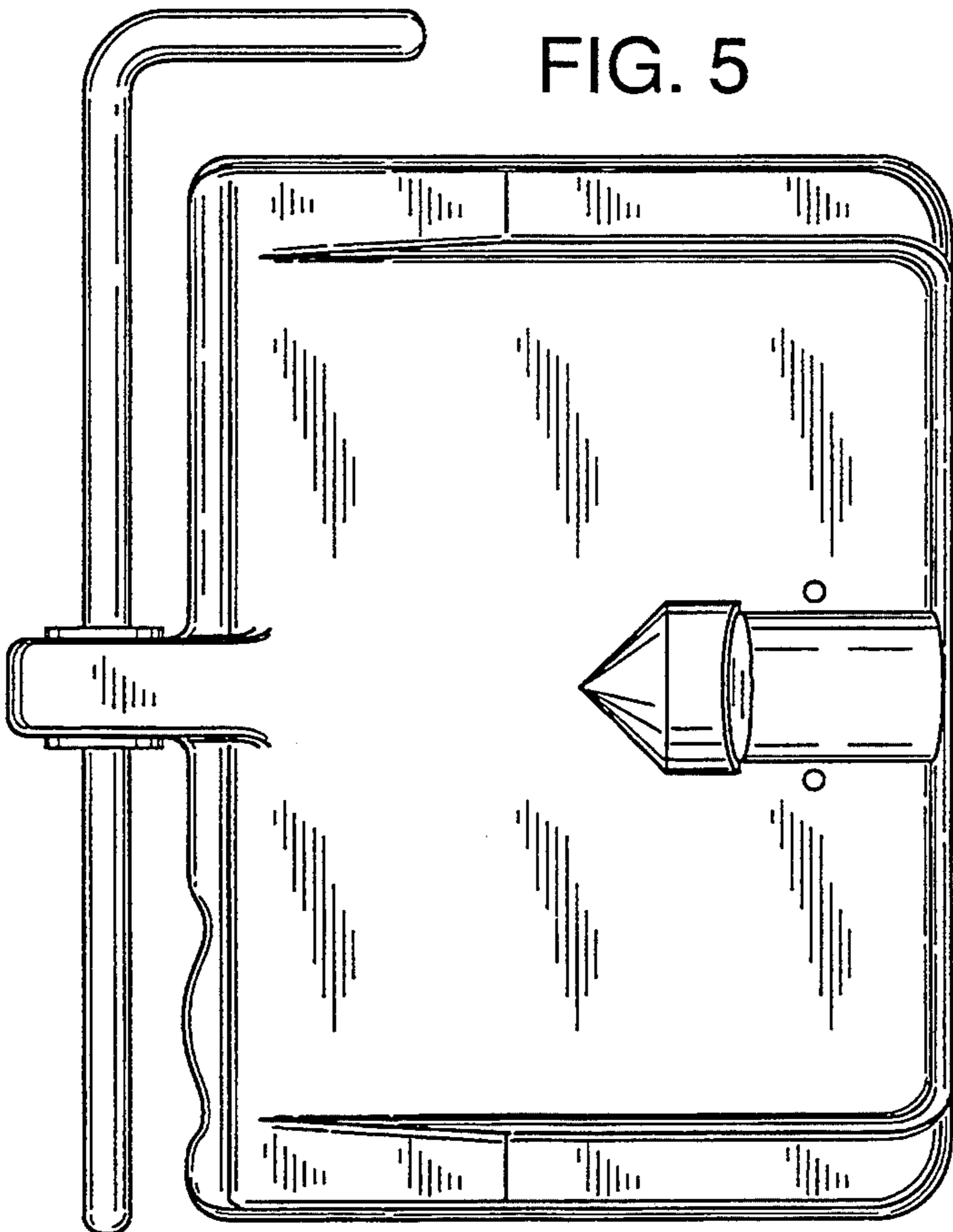


FIG. 5

FIG. 6

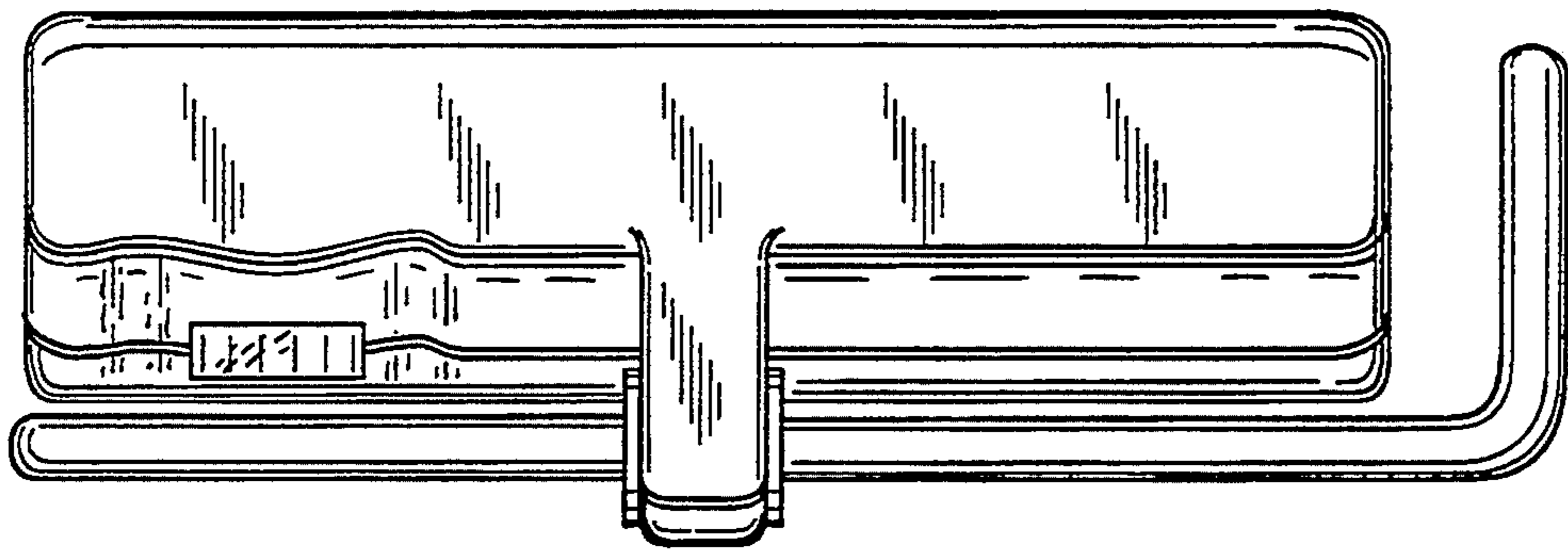


FIG. 7

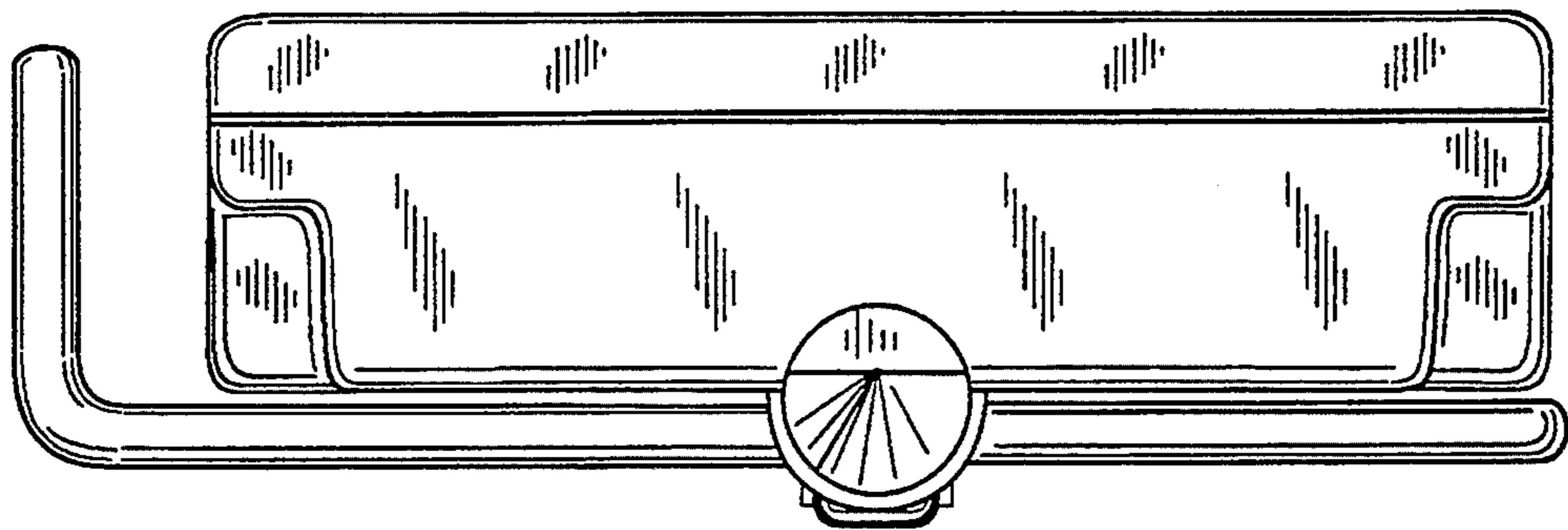


FIG. 8

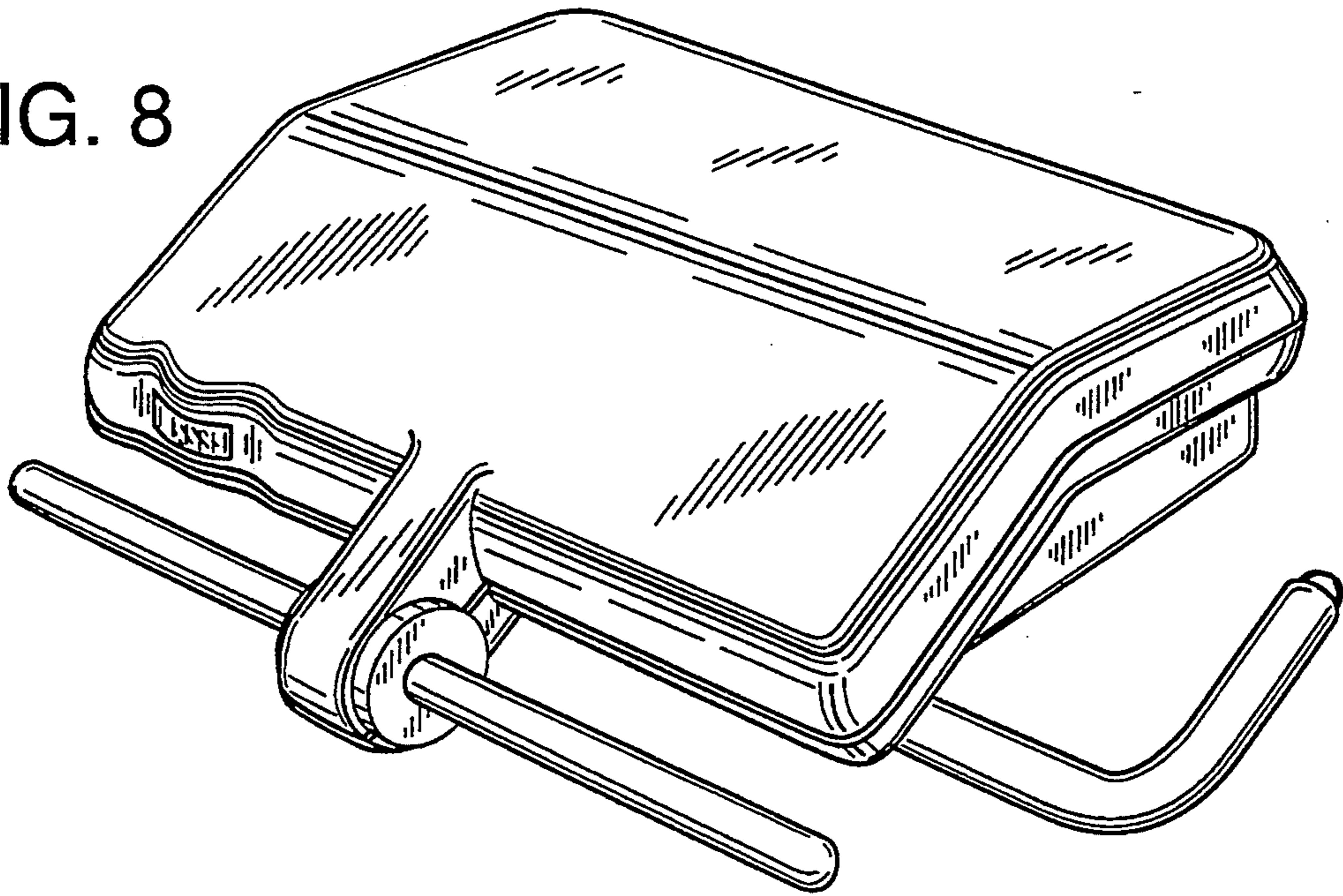


FIG. 9

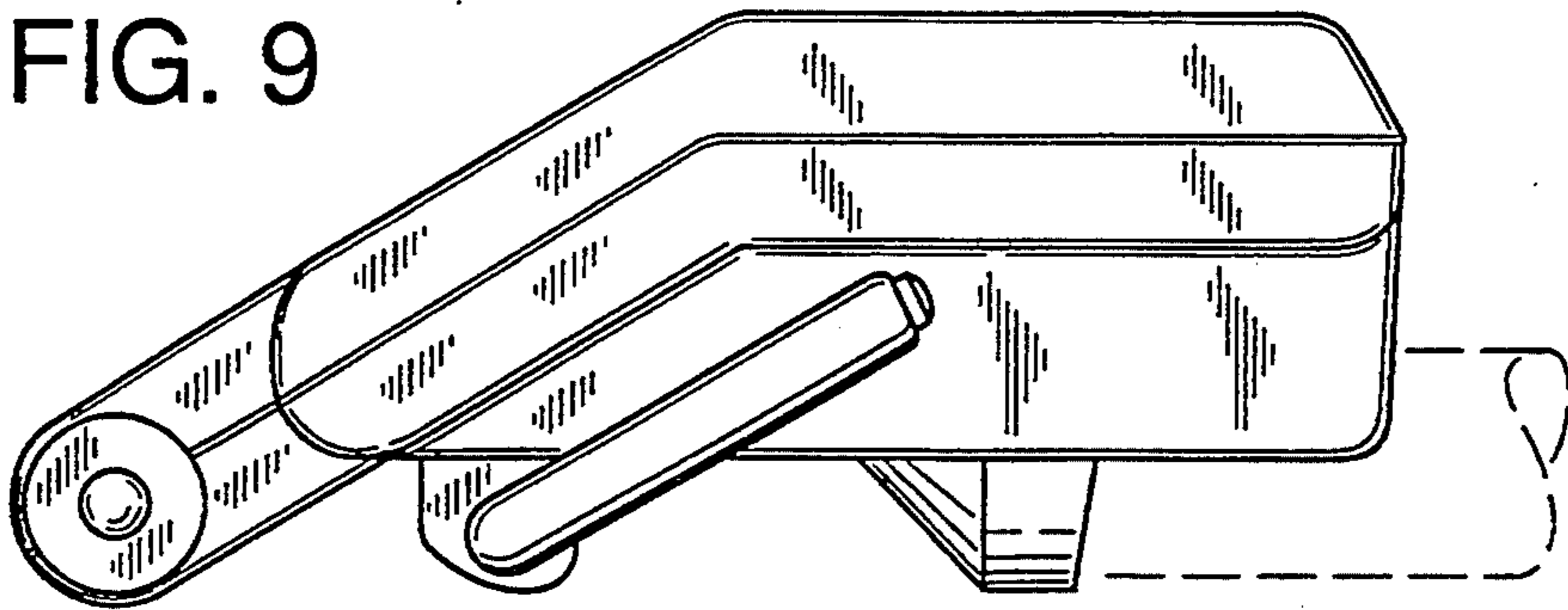
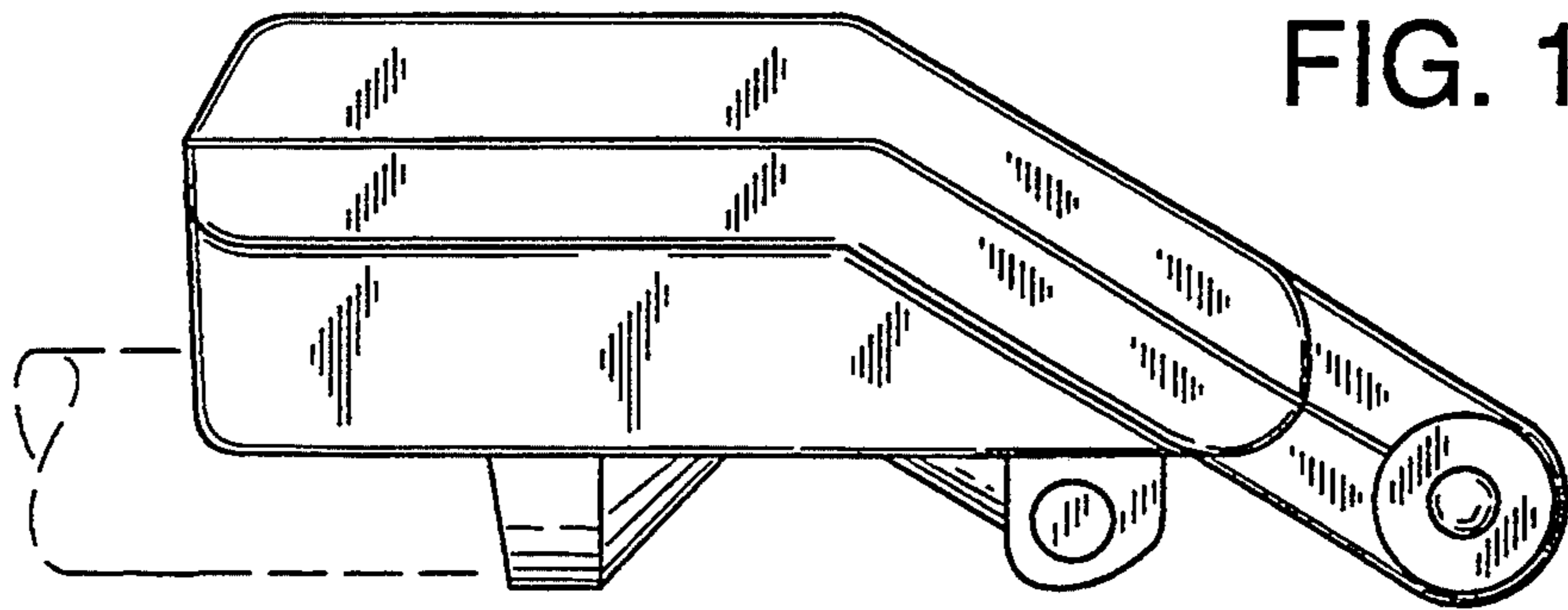


FIG. 10



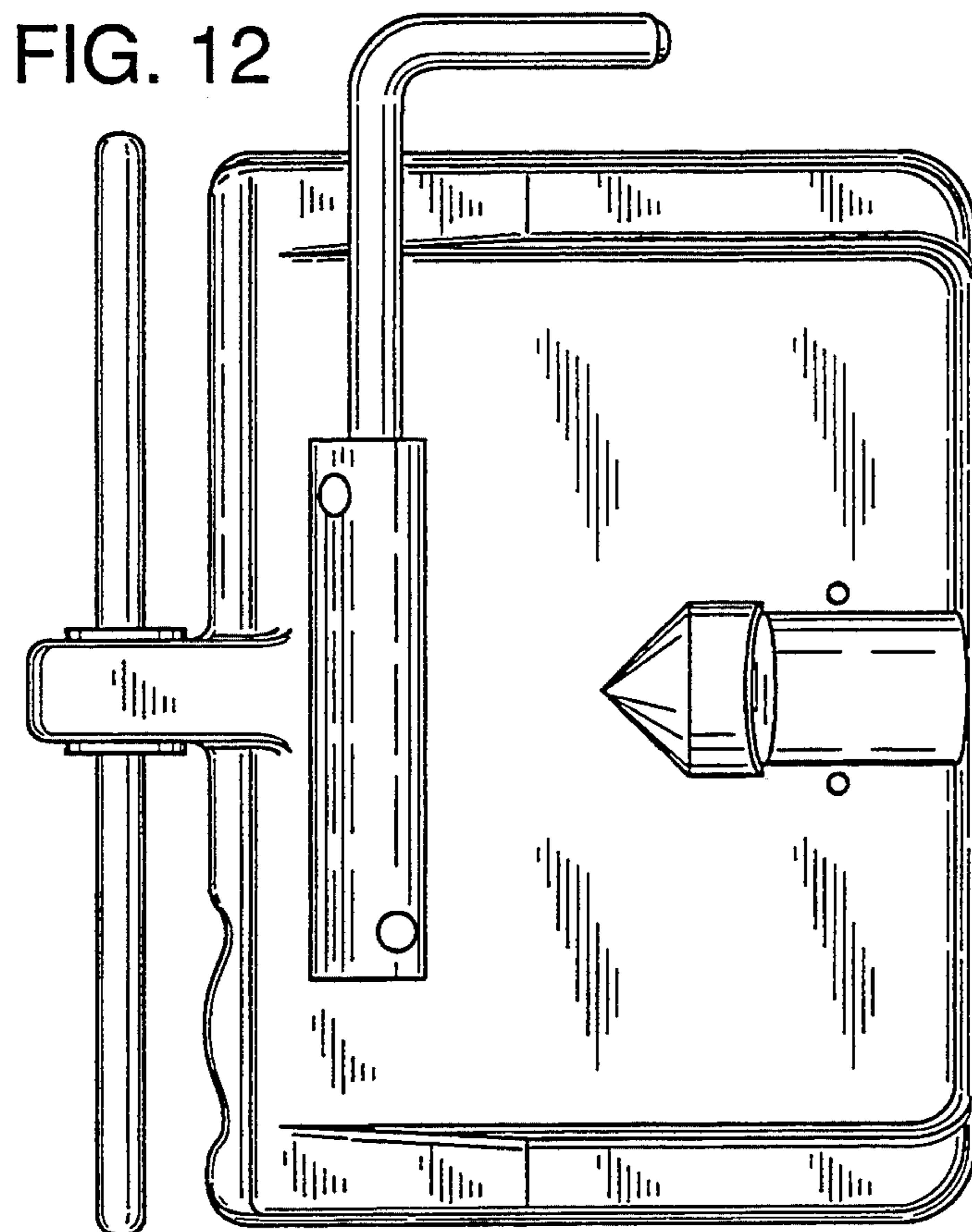
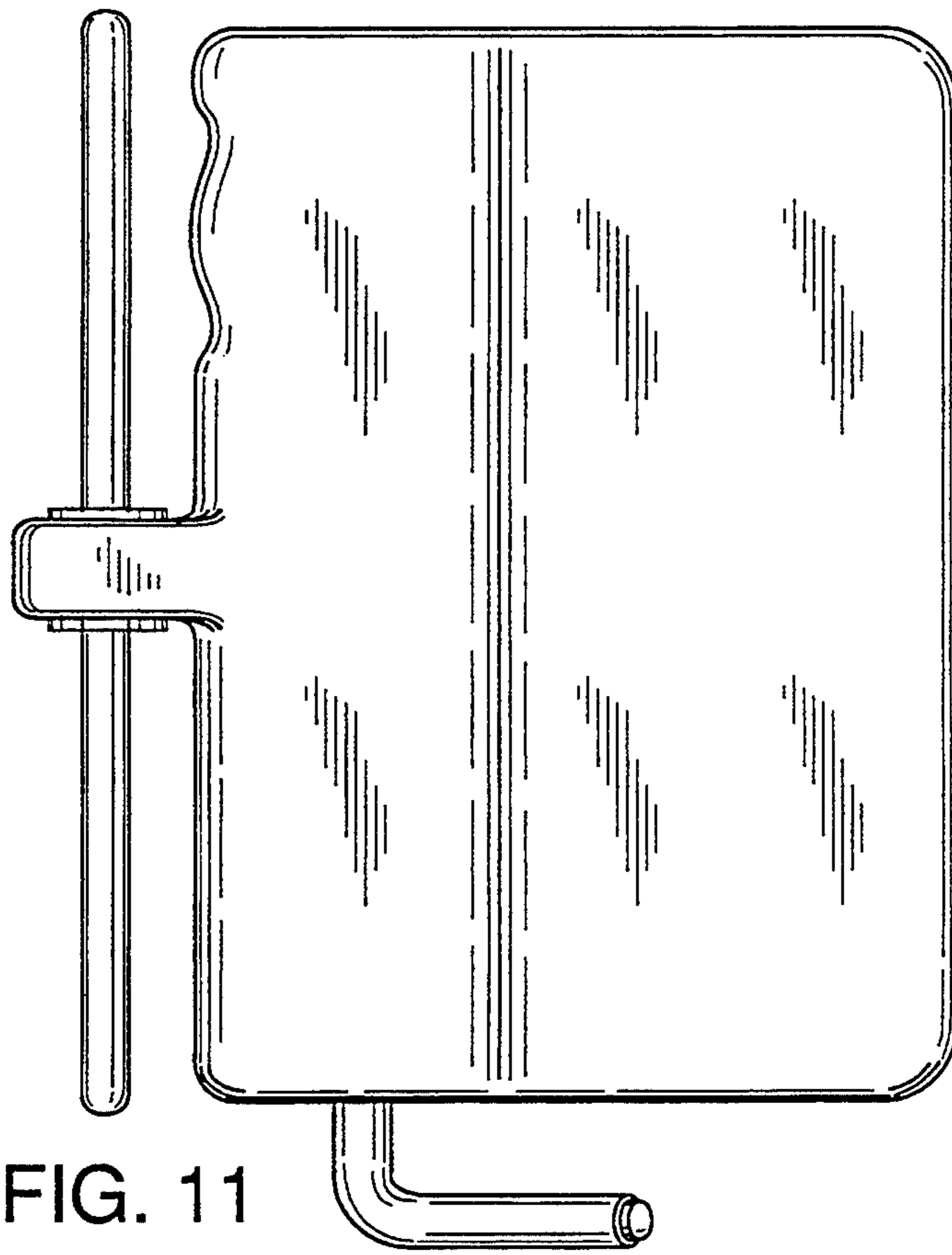


FIG. 13

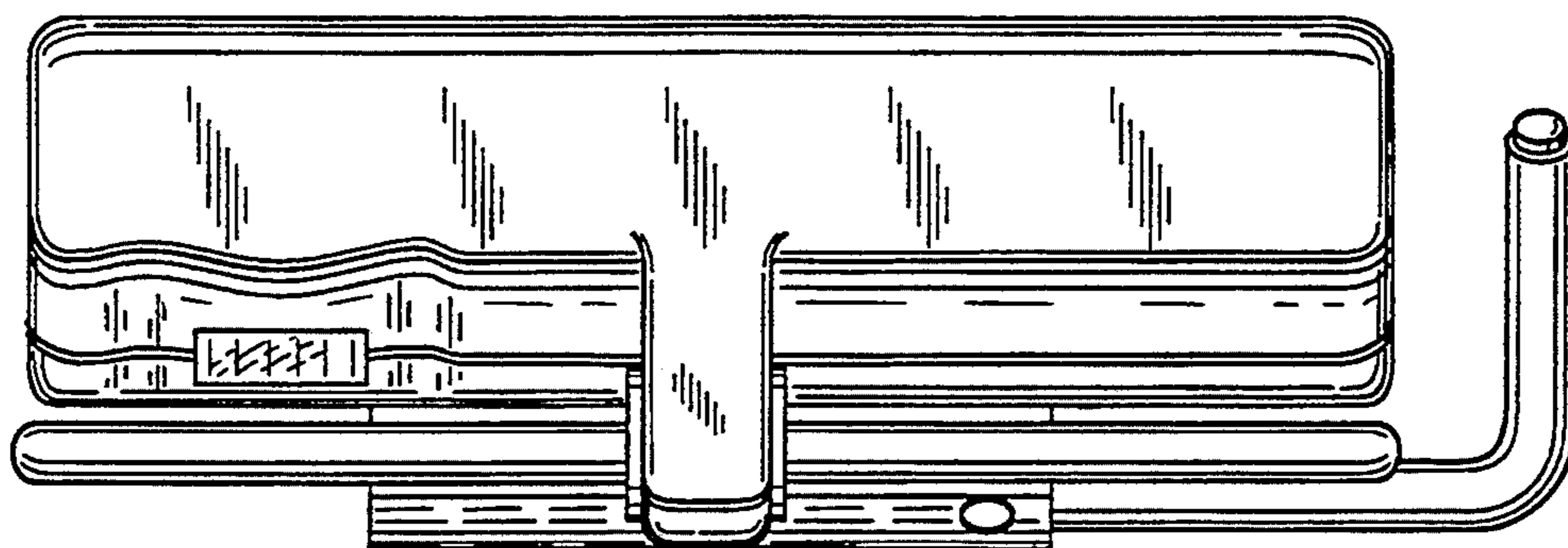
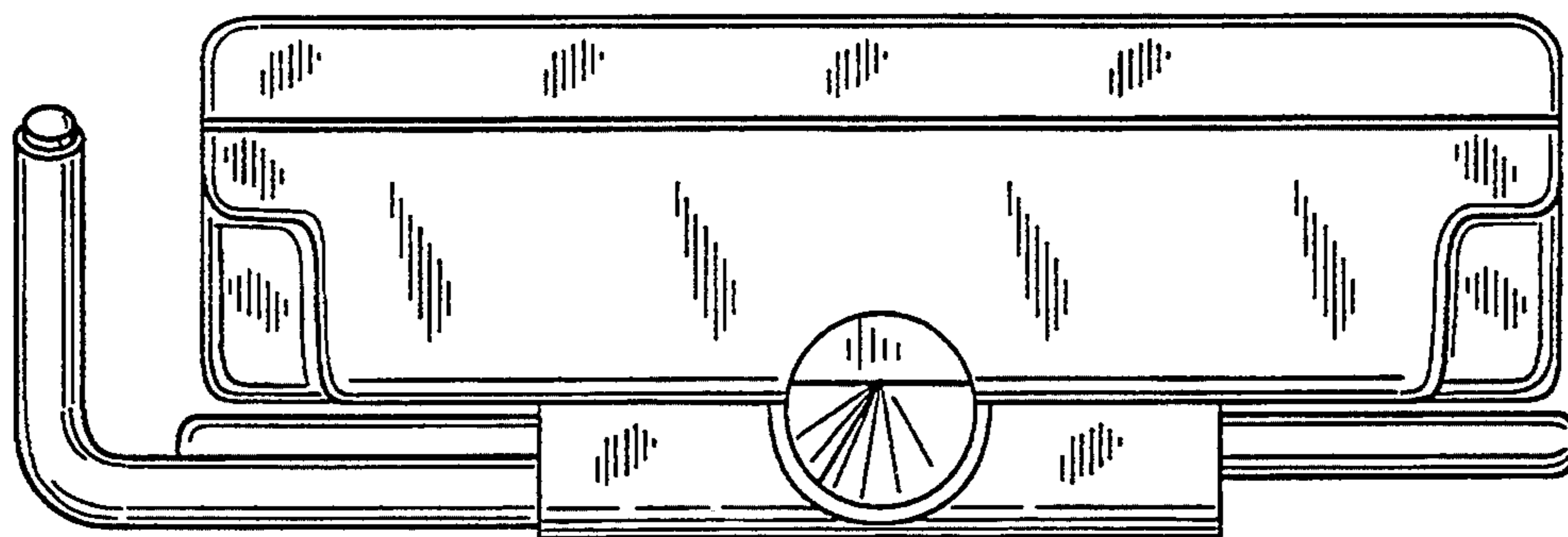
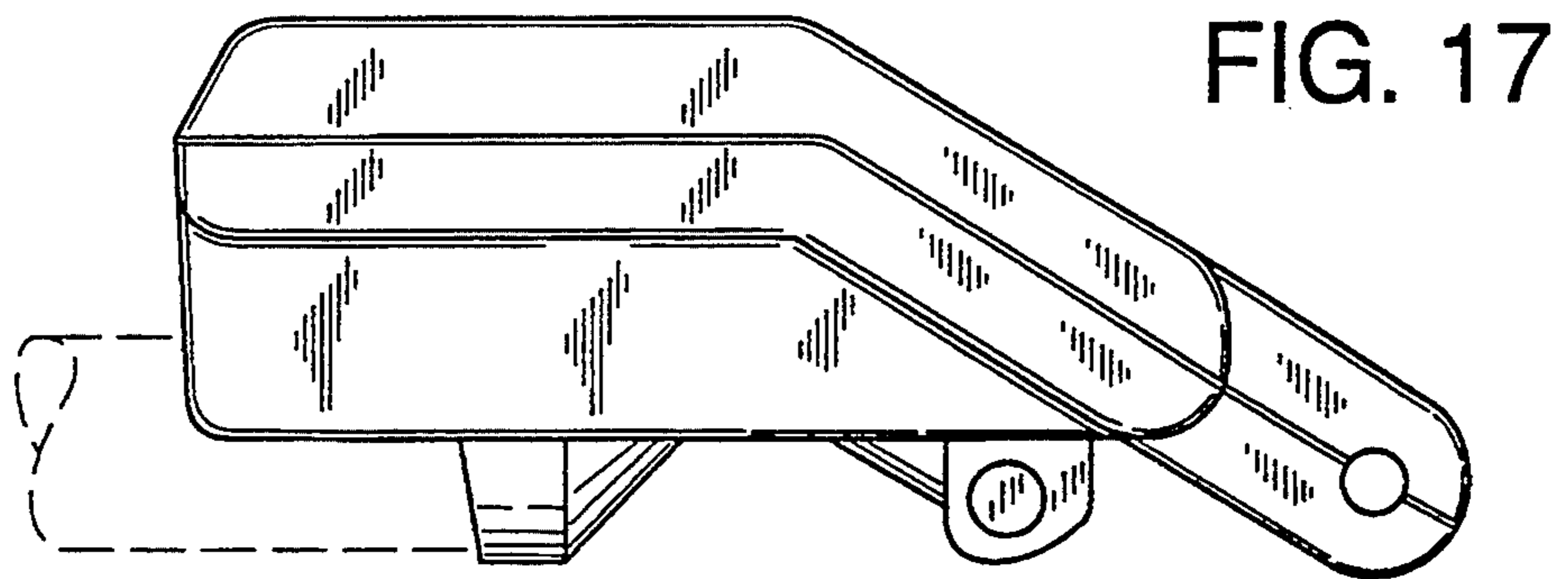
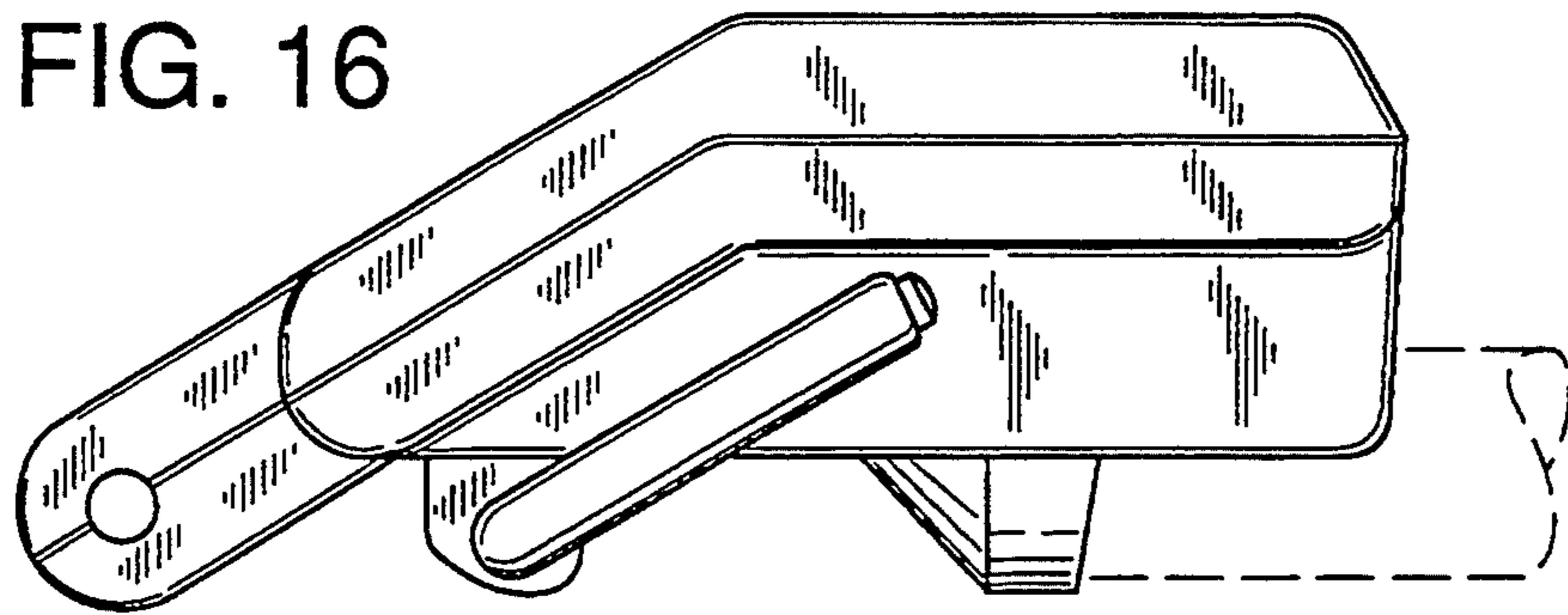
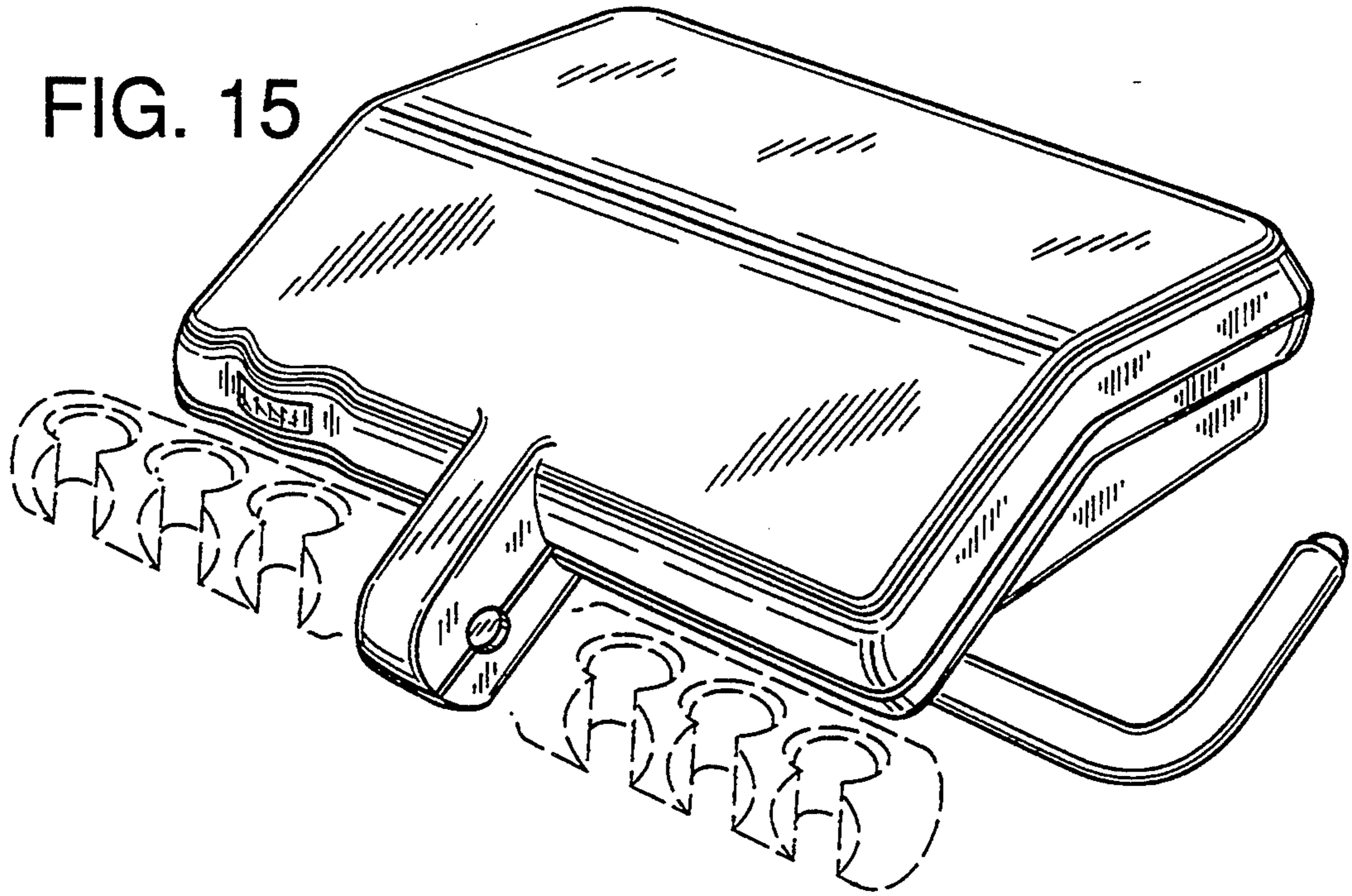


FIG. 14





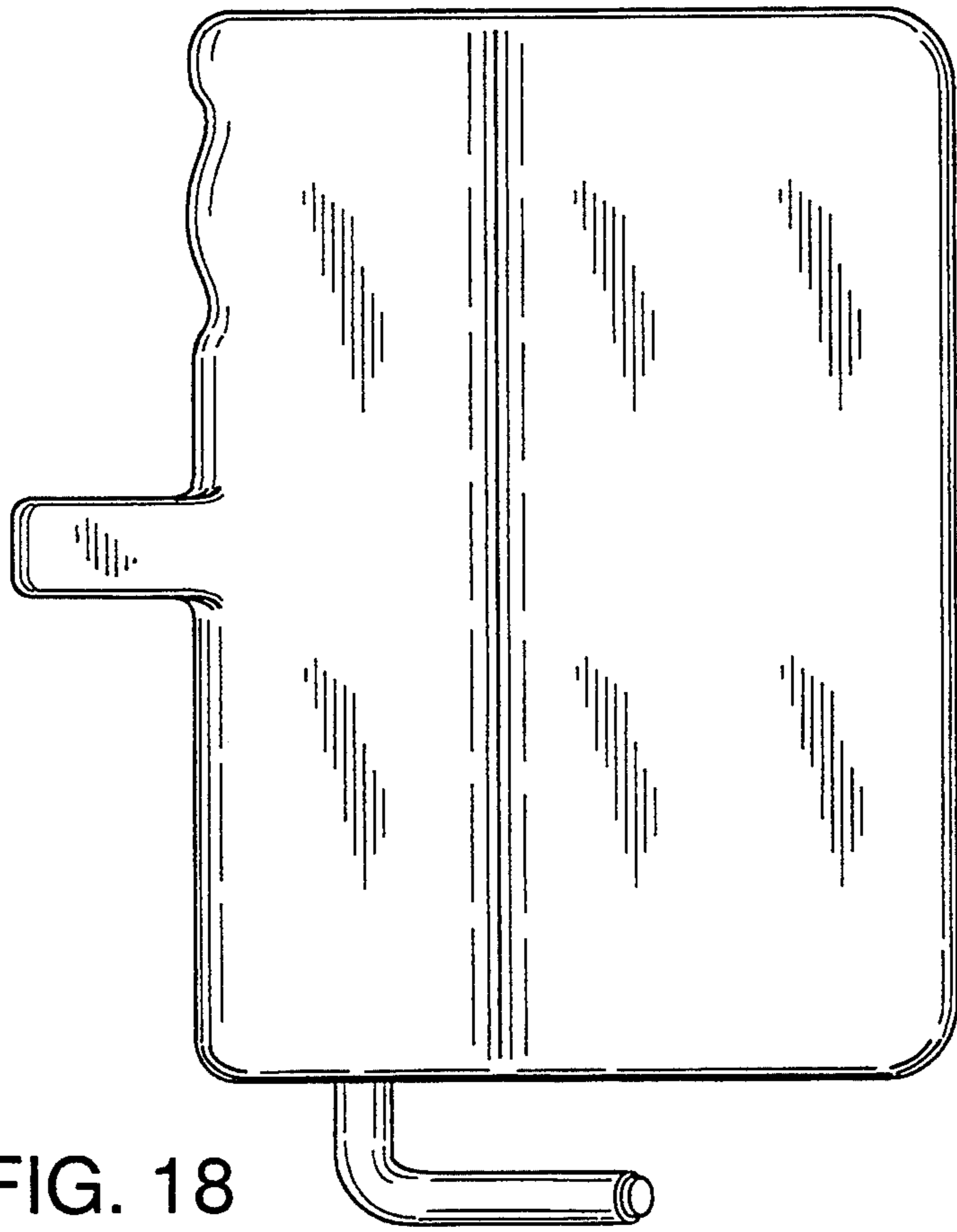


FIG. 18

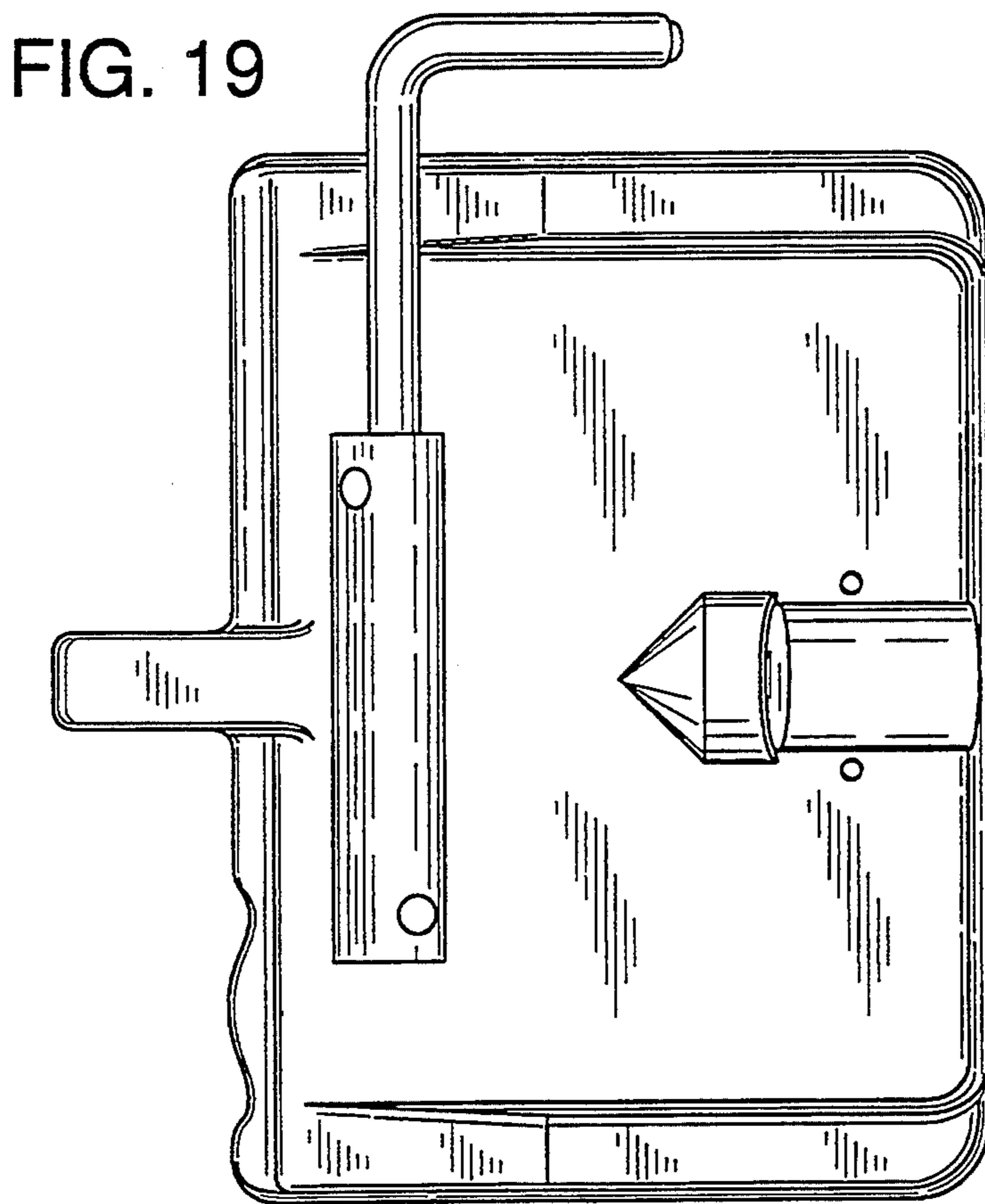


FIG. 19

FIG. 20

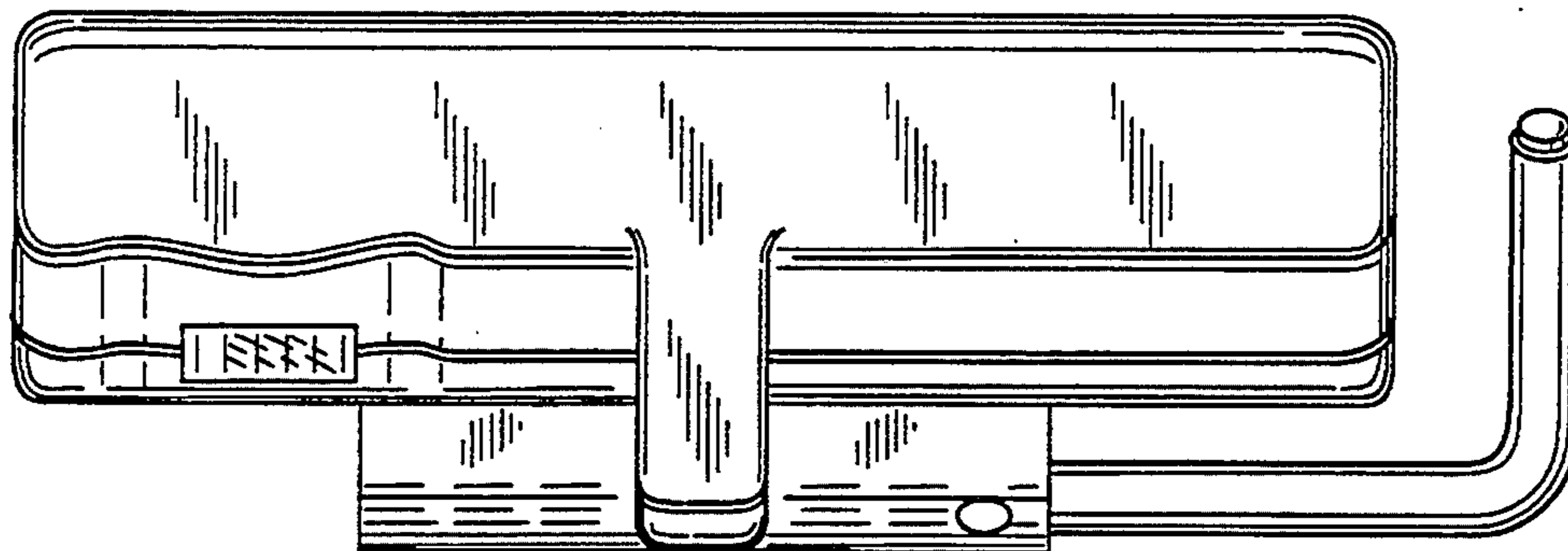


FIG. 21

