



US00D349160S

United States Patent [19]
Pellegrino

[11] **Patent Number: Des. 349,160**
[45] **Date of Patent: ** Jul. 26, 1994**

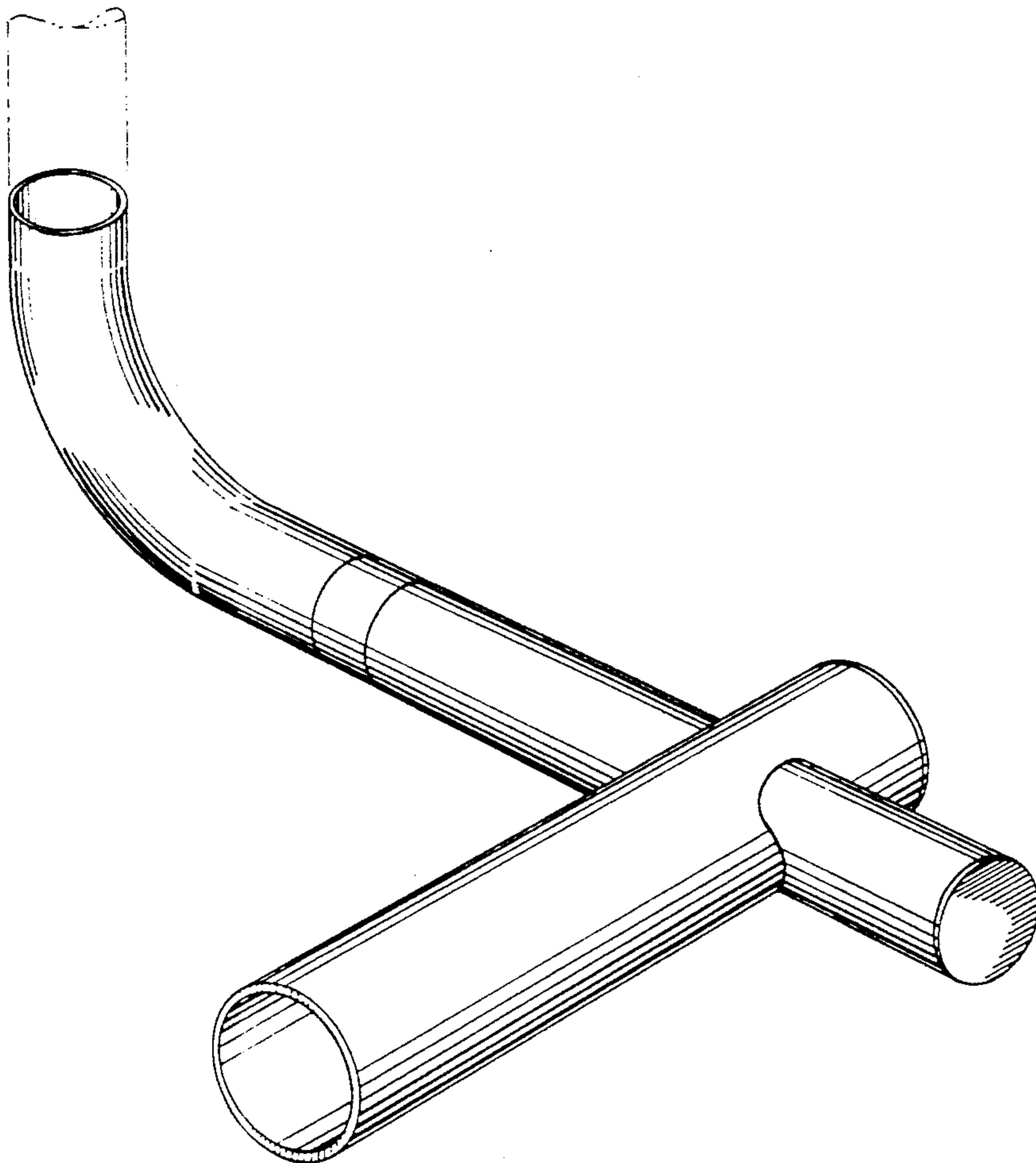
[54] **DENTAL X-RAY HEAD UNIT**
[75] **Inventor: Anthony J. Pellegrino, New Fairfield, Conn.**
[73] **Assignee: Lorad Corporation, Danbury, Conn.**
[**] **Term: 14 Years**
[21] **Appl. No.: 857,815**
[22] **Filed: Mar. 26, 1992**
[52] **U.S. Cl. D24/158**
[58] **Field of Search 378/121, 196, 197, 101, 378/102; D24/158, 160**

[56] **References Cited**
U.S. PATENT DOCUMENTS
D. 193,617 9/1962 Paroselli D24/158
D. 238,307 12/1975 Bobov et al. D24/158
736,086 3/1903 Friedlander 378/121
1,881,448 8/1928 Forde et al. 378/121
2,343,730 11/1942 Atlee 378/121

Primary Examiner—Stella Reid
Assistant Examiner—Eric Watterson
Attorney, Agent, or Firm—Ware, Fressola, Van Der Sluys & Adolphson

[57] **CLAIM**
The ornamental design for a dental X-ray head unit, as shown and described.

DESCRIPTION
FIG. 1 is a perspective view of a first embodiment of a dental X-ray head unit showing my new design; the broken line showing is for illustrative purposes only and forms no part of the claimed design;
FIG. 2 is a top plan view thereof;
FIG. 3 is a front elevational view thereof;
FIG. 4 is a left end view thereof;
FIG. 5 is a right end view thereof;
FIG. 6 is a bottom plan view thereof;
FIG. 7 is a rear elevational view thereof;
FIG. 8 is a perspective view of a second embodiment of a dental X-ray head unit showing my new design; the broken line showing is for illustrative purposes only and forms no part of the claimed design;
FIG. 9 is a top plan view thereof;
FIG. 10 is a front elevational view thereof;
FIG. 11 is a left end view thereof;
FIG. 12 is a right end view thereof;
FIG. 13 is a bottom plan view thereof; and,
FIG. 14 is a rear elevational view thereof.



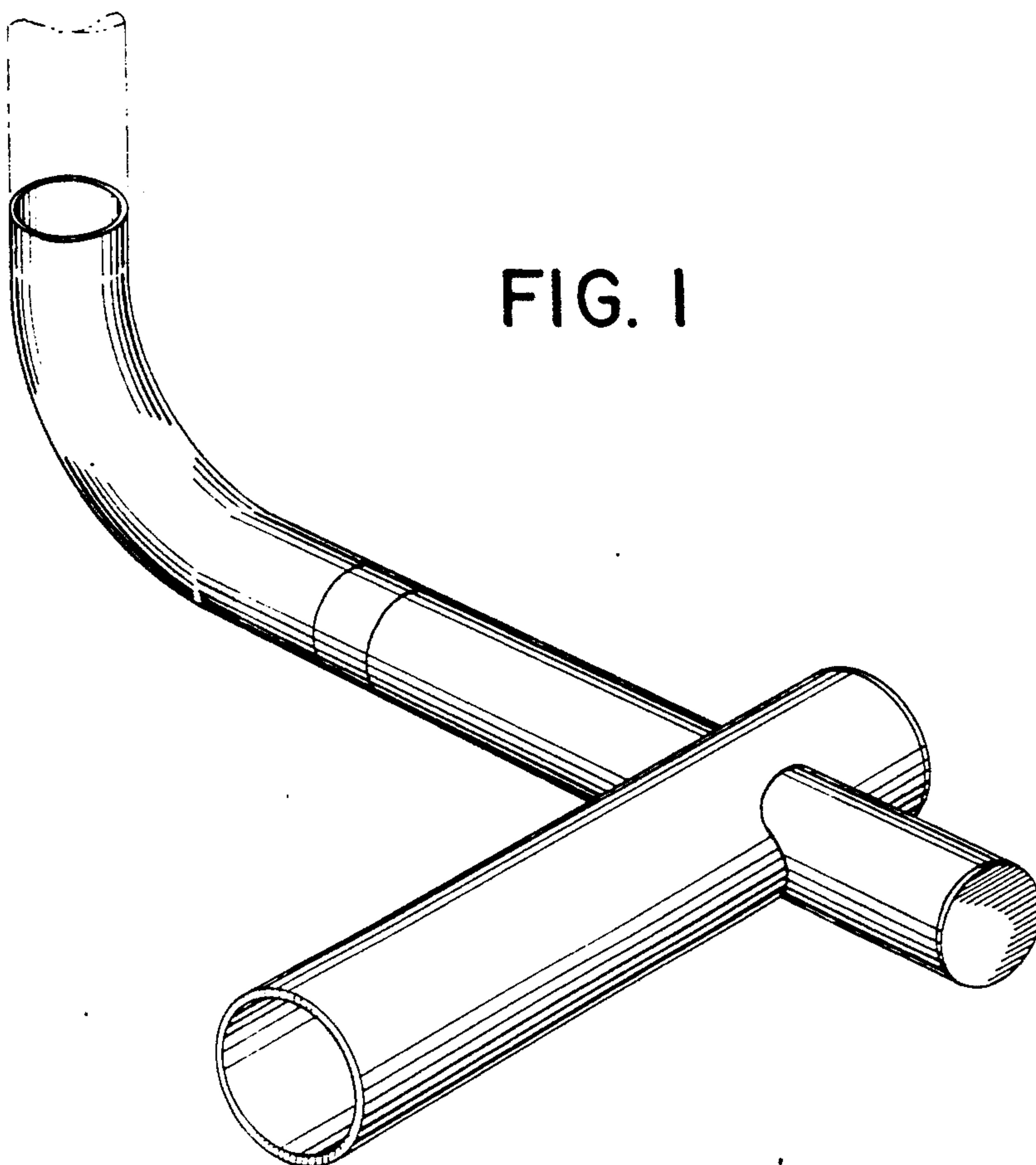


FIG. 1

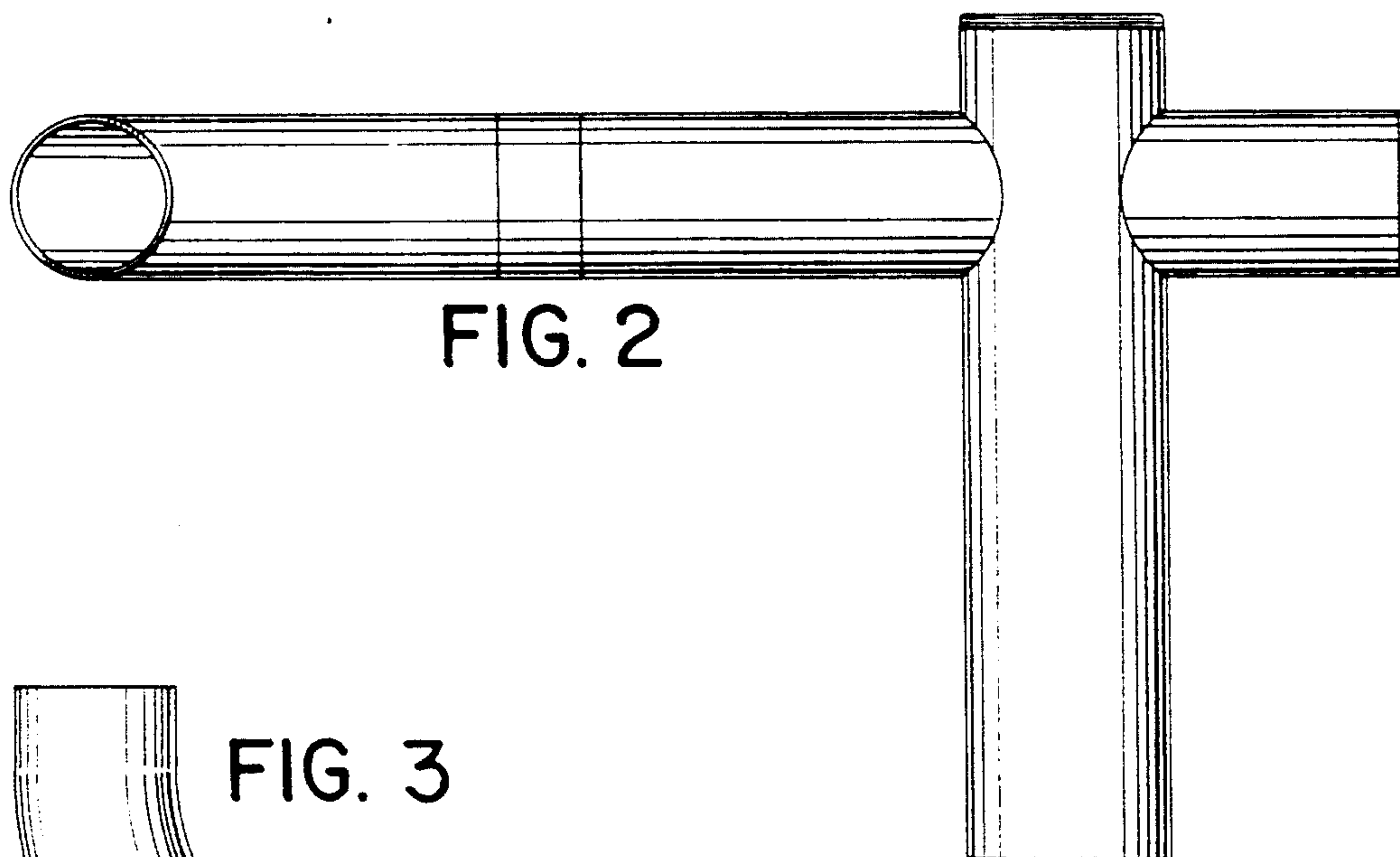


FIG. 2

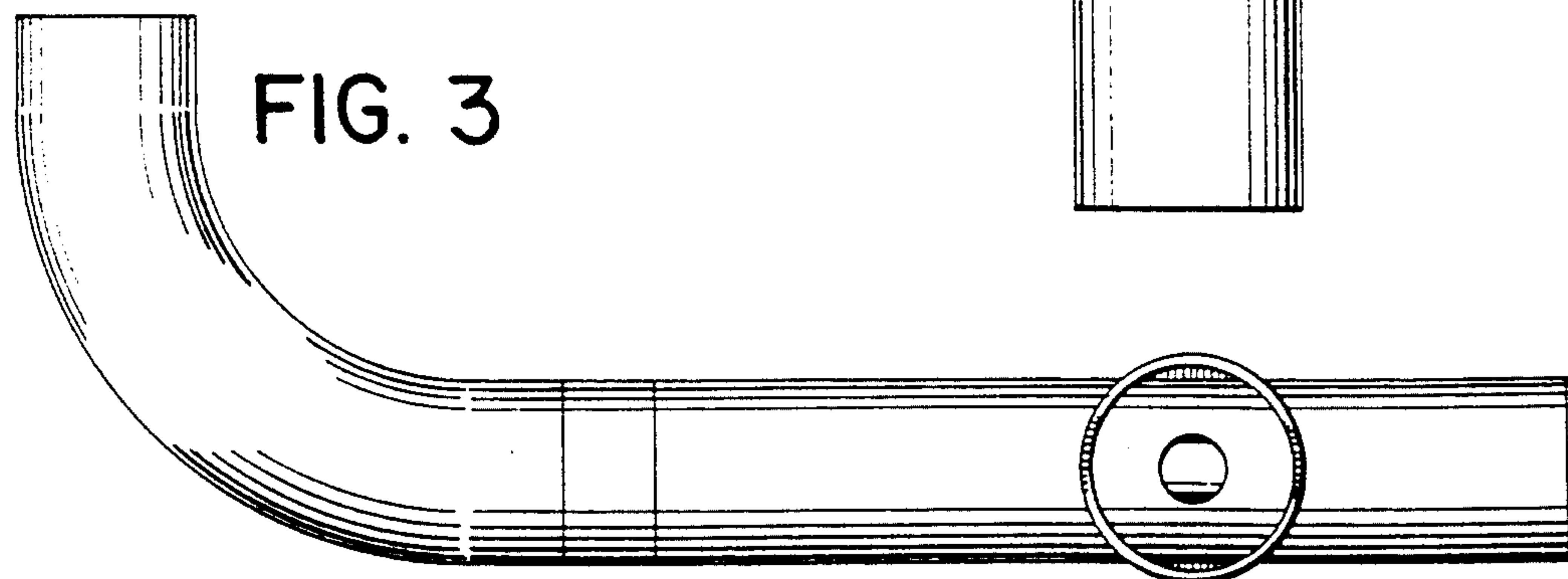


FIG. 3

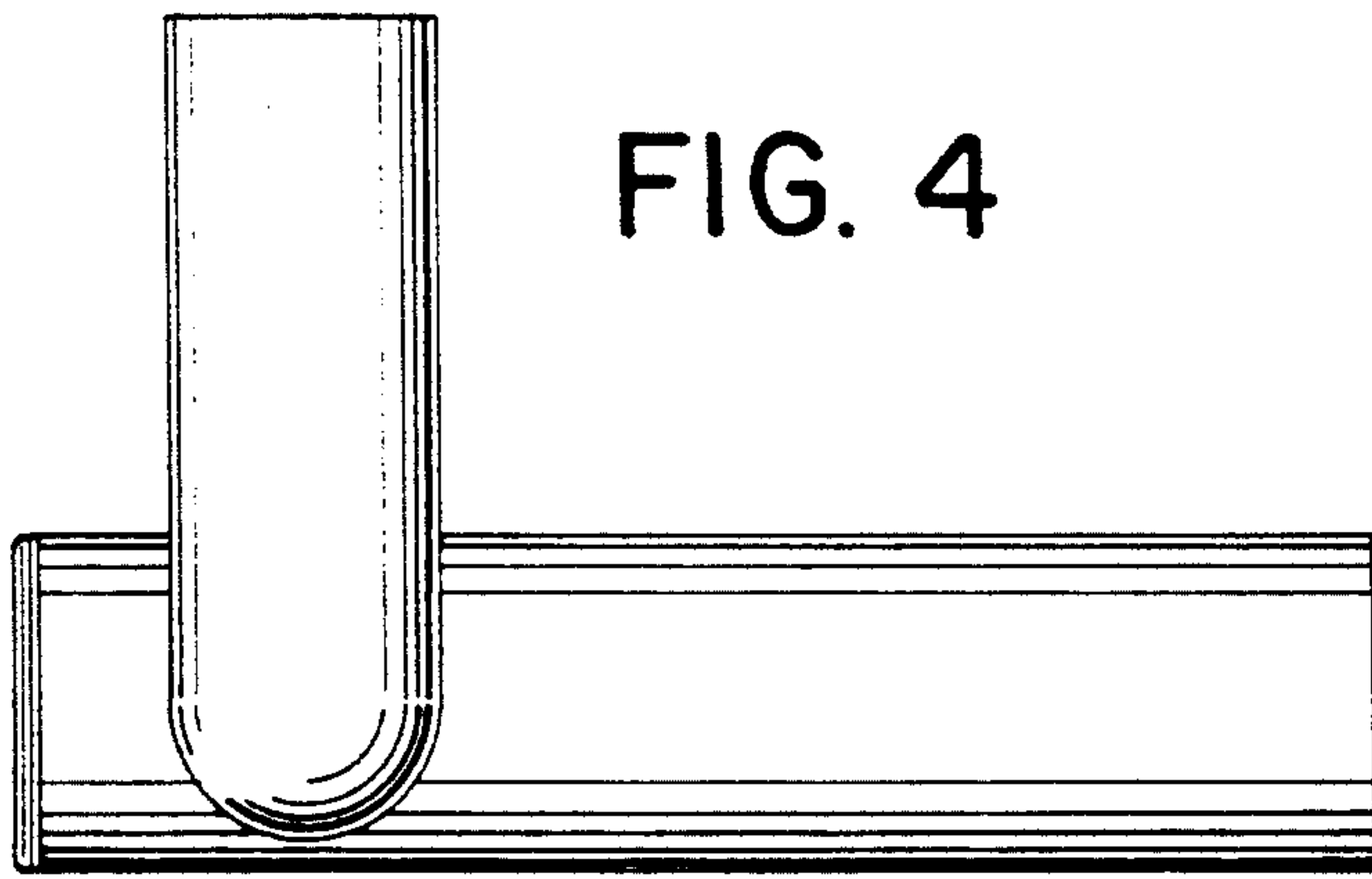


FIG. 4

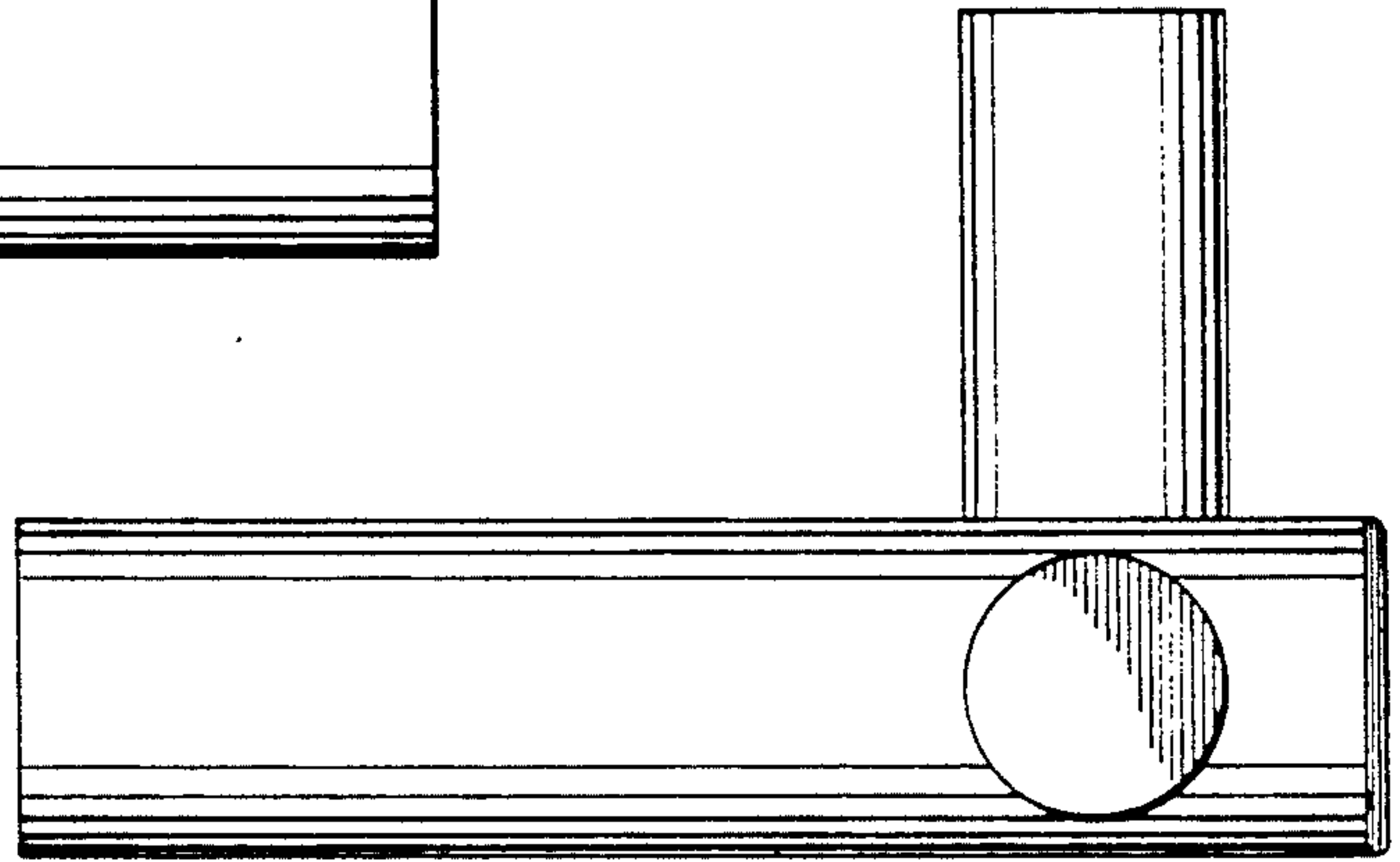


FIG. 5

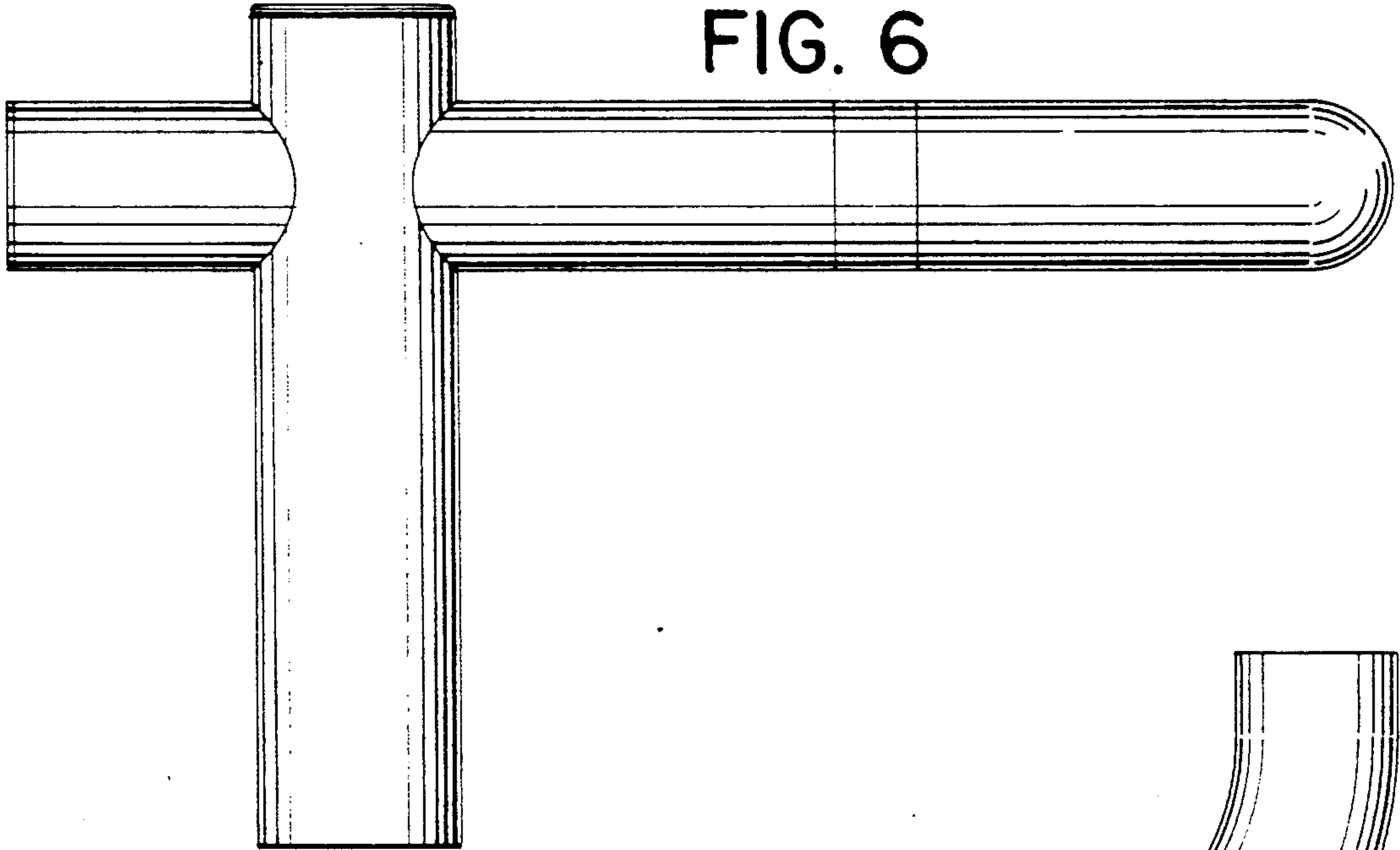


FIG. 6

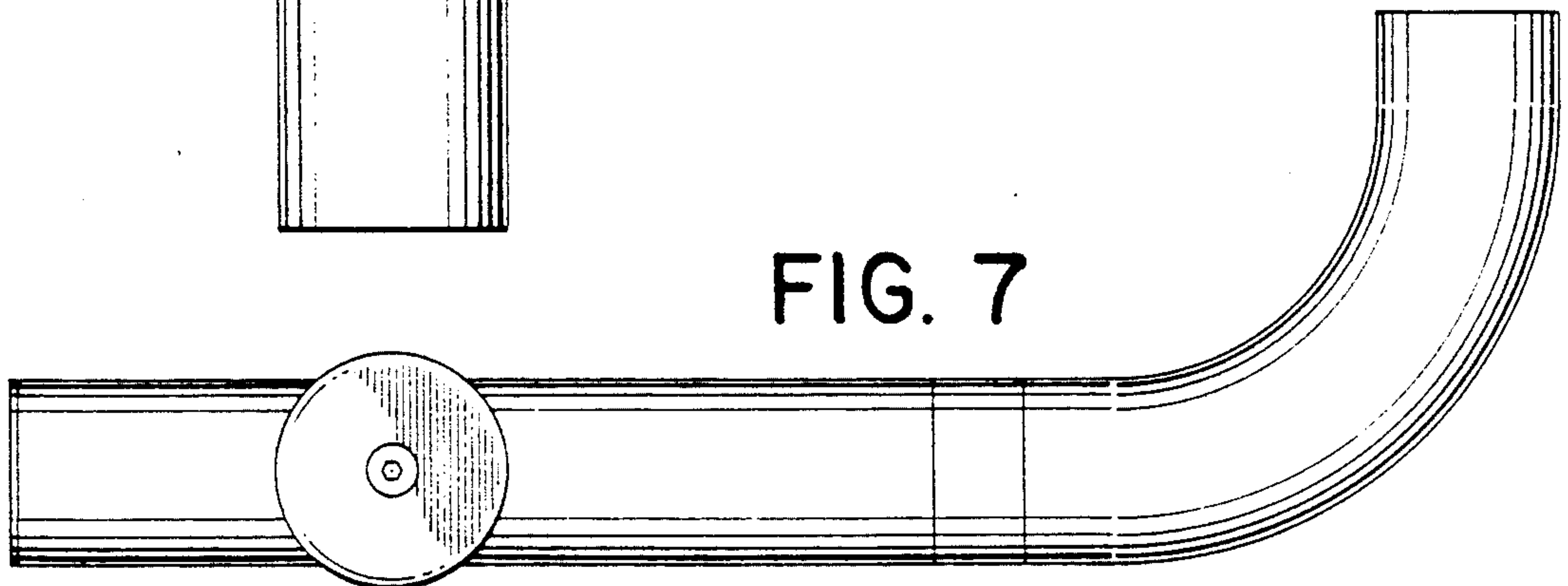


FIG. 7

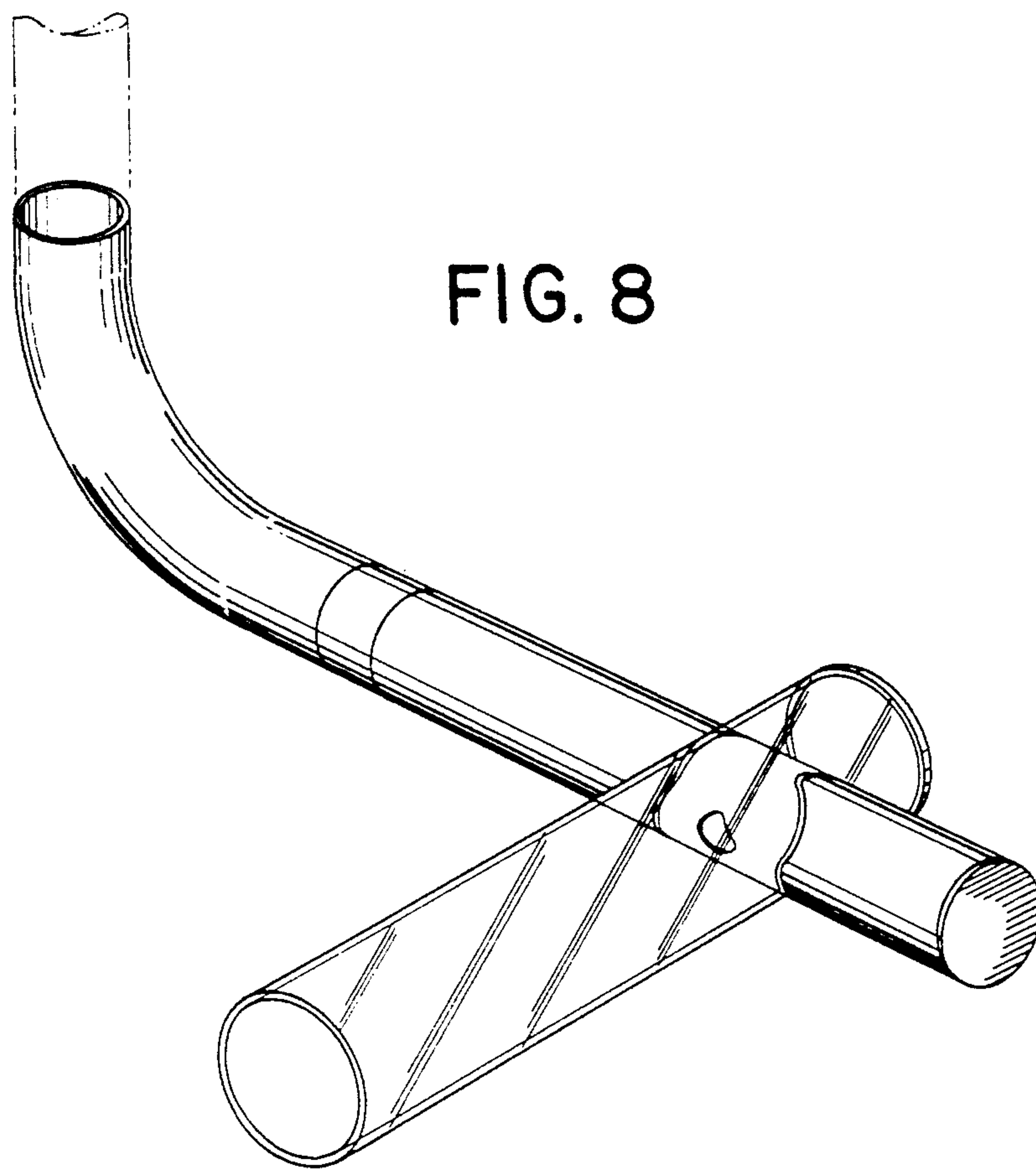


FIG. 8

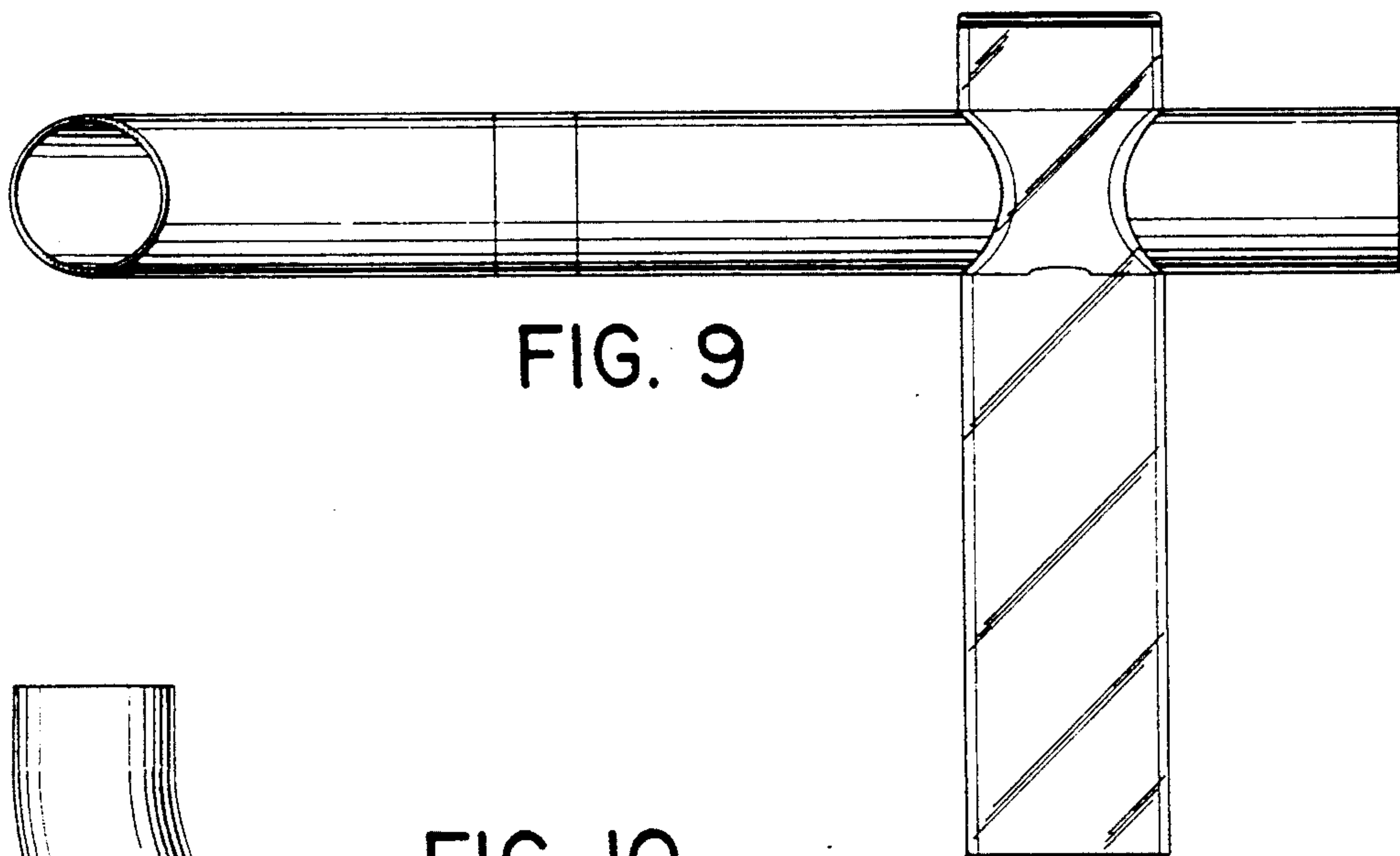


FIG. 9

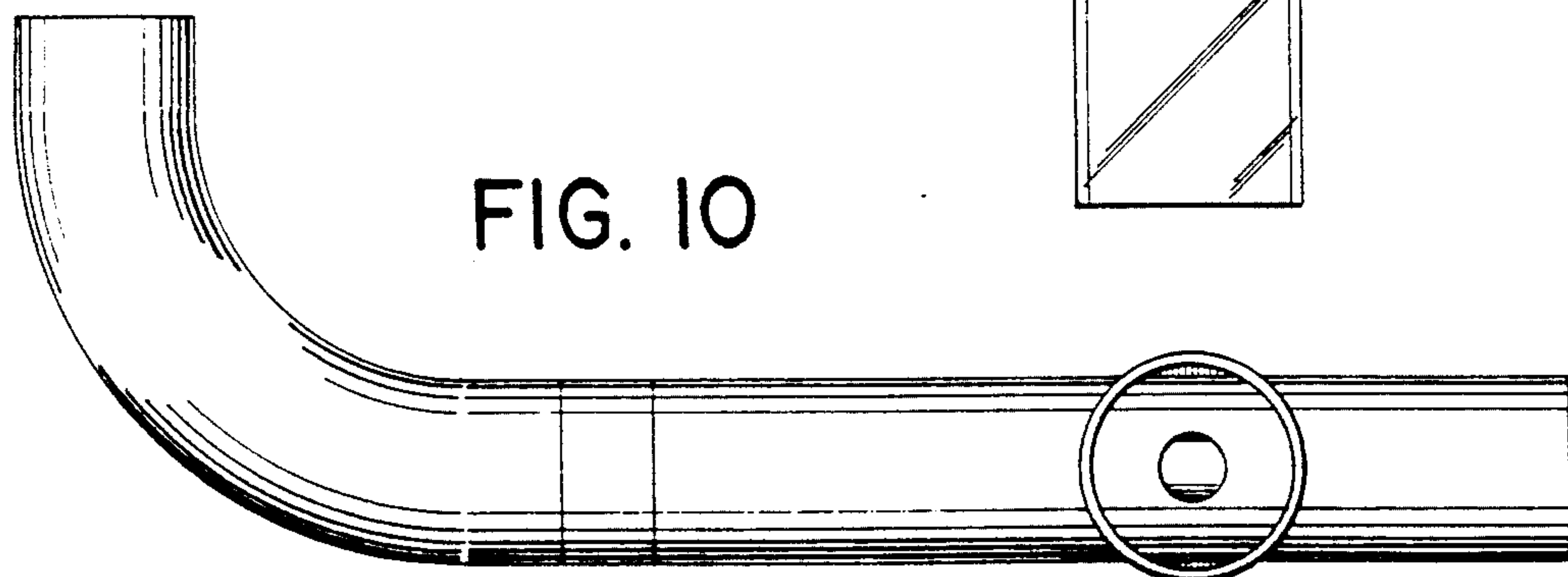


FIG. 10

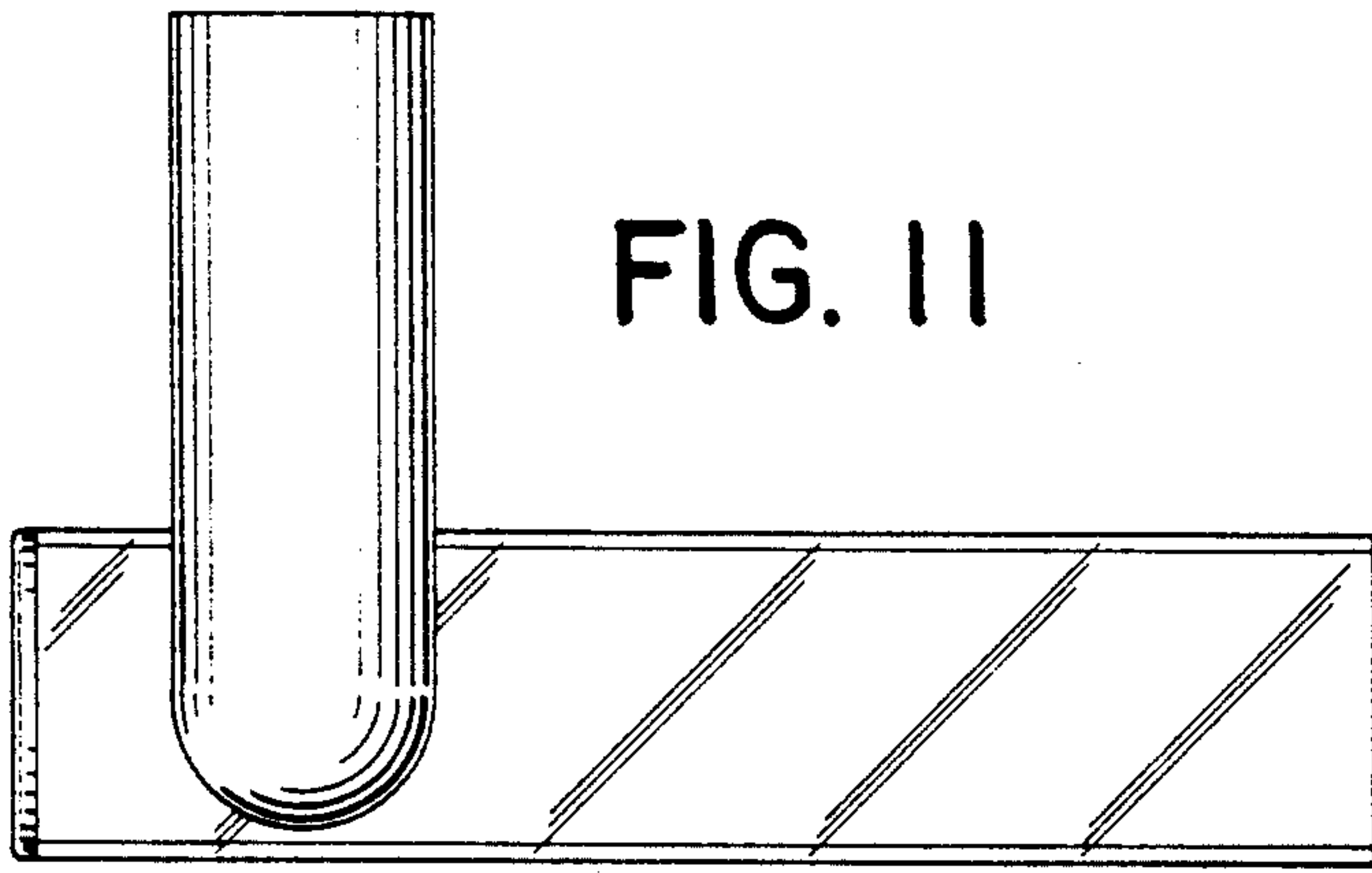


FIG. 11

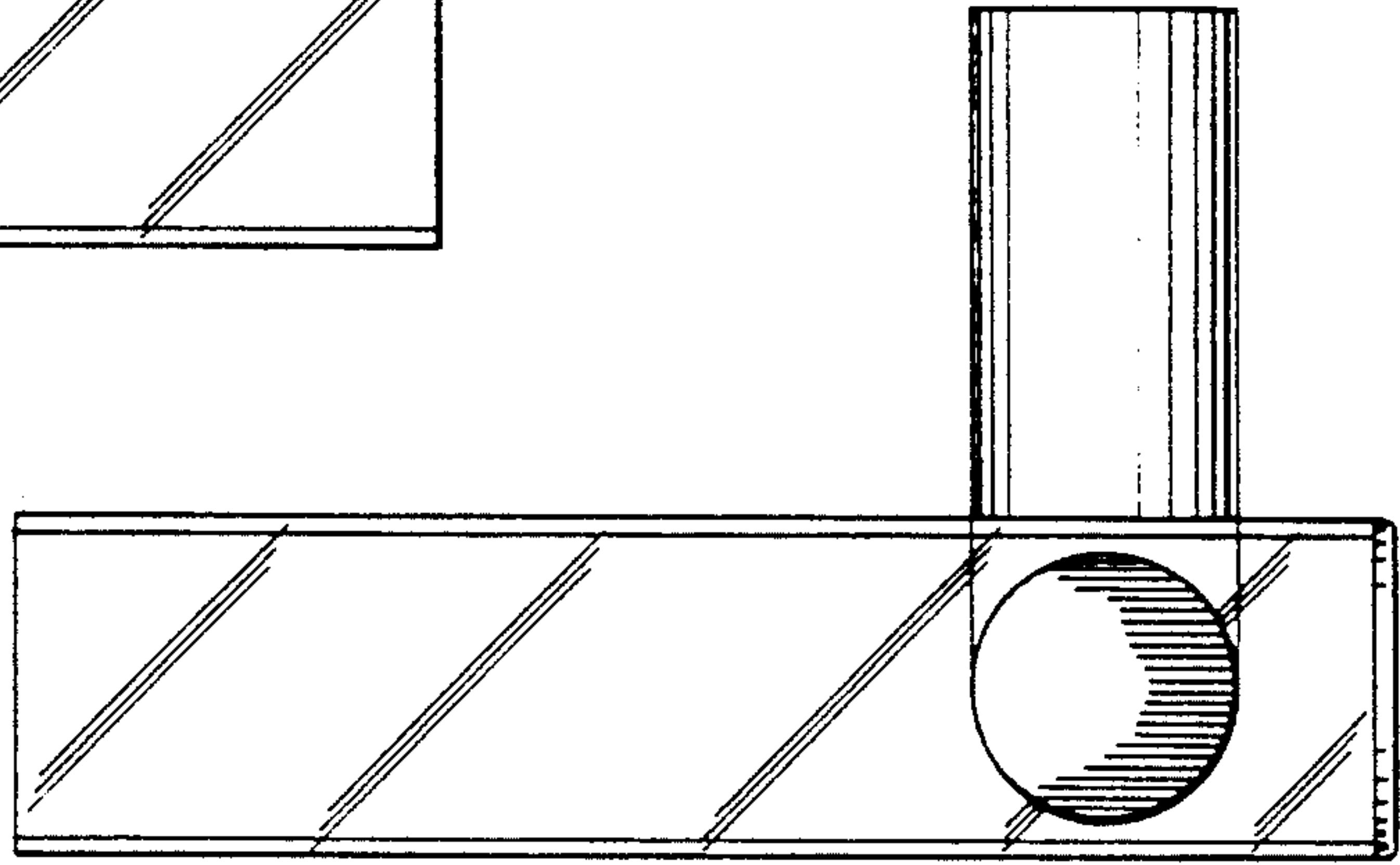


FIG. 12

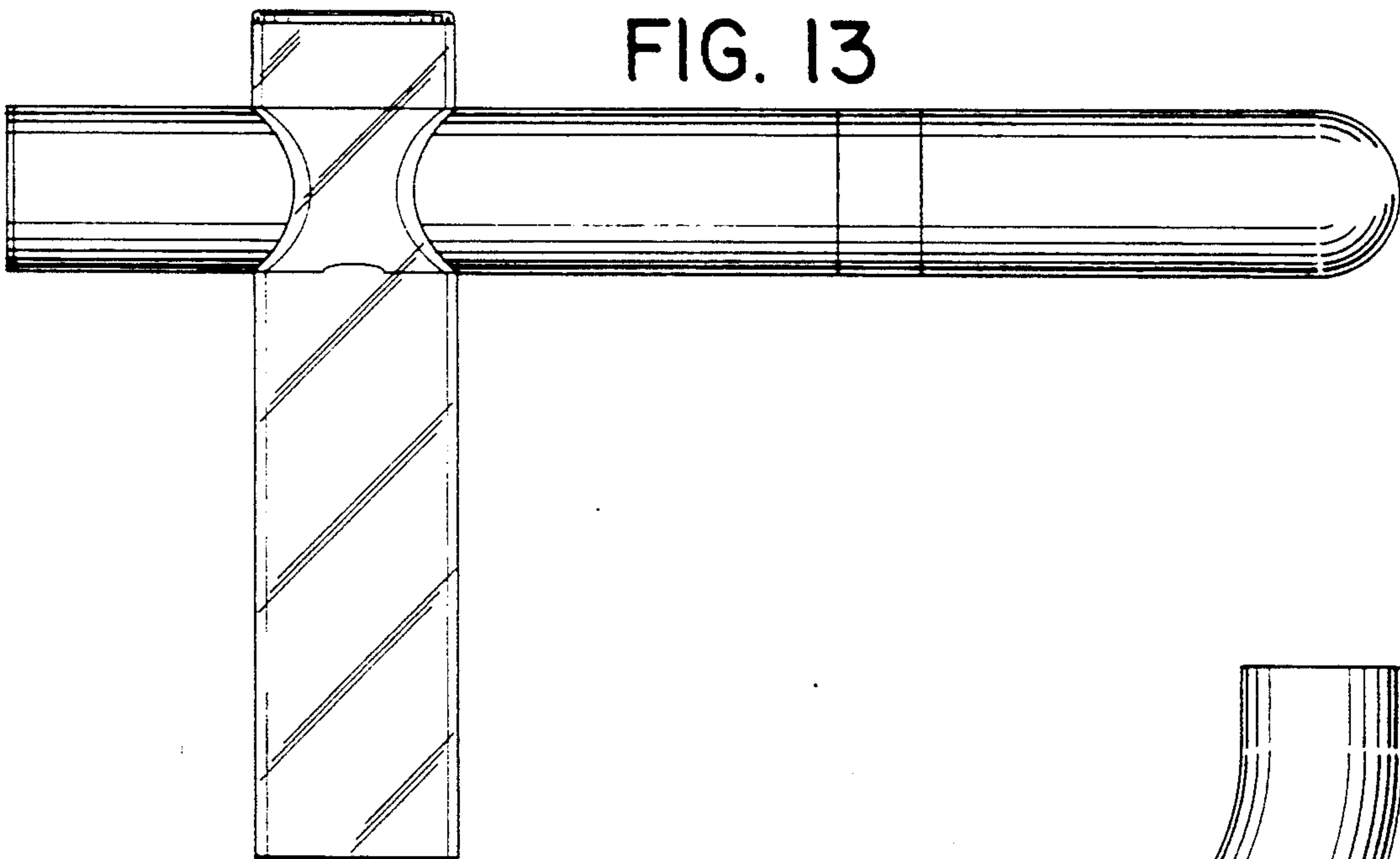


FIG. 13

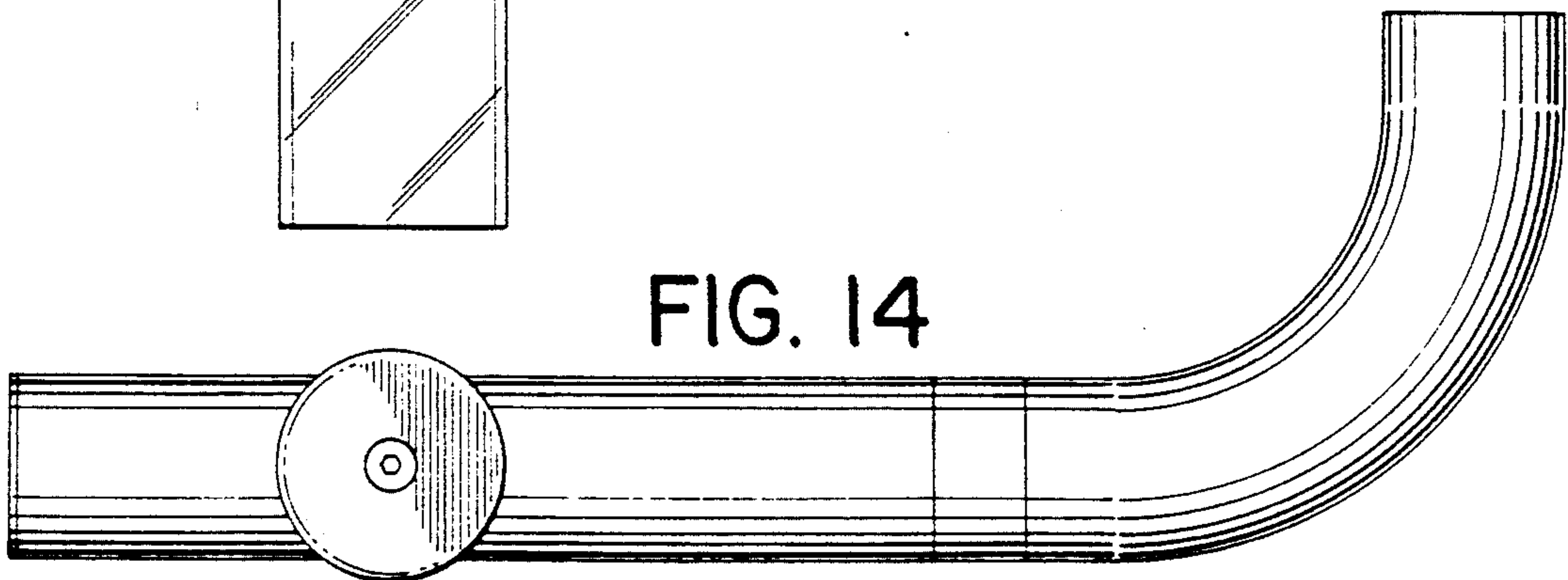


FIG. 14