



US00D349158S

United States Patent [19]

[11] Patent Number: Des. 349,158

Lieblein

[45] Date of Patent: ** Jul. 26, 1994

[54] FILTER HOOD

[75] Inventor: Leonard R. Lieblein, Williamston, S.C.

[73] Assignee: Standex International Corporation, Salem, N.H.

[**] Term: 14 Years

[21] Appl. No.: 858,752

[22] Filed: Mar. 19, 1992

Related U.S. Application Data

[63] Continuation-in-part of Ser. No. 697,303, May 6, 1991, Pat. No. 5,211,159, which is a continuation-in-part of Ser. No. 516,255, Apr. 30, 1990, Pat. No. 5,154,161, Continuation-in-part of Ser. No. 280,025, Dec. 2, 1988, abandoned.

[52] U.S. Cl. D23/371

[58] Field of Search 454/67; 55/DIG. 36; 126/299 D; D23/371

[56] References Cited

U.S. PATENT DOCUMENTS

3,217,629 11/1965 Efern 55/DIG. 36
5,154,161 10/1992 Rogers et al. 126/299 D

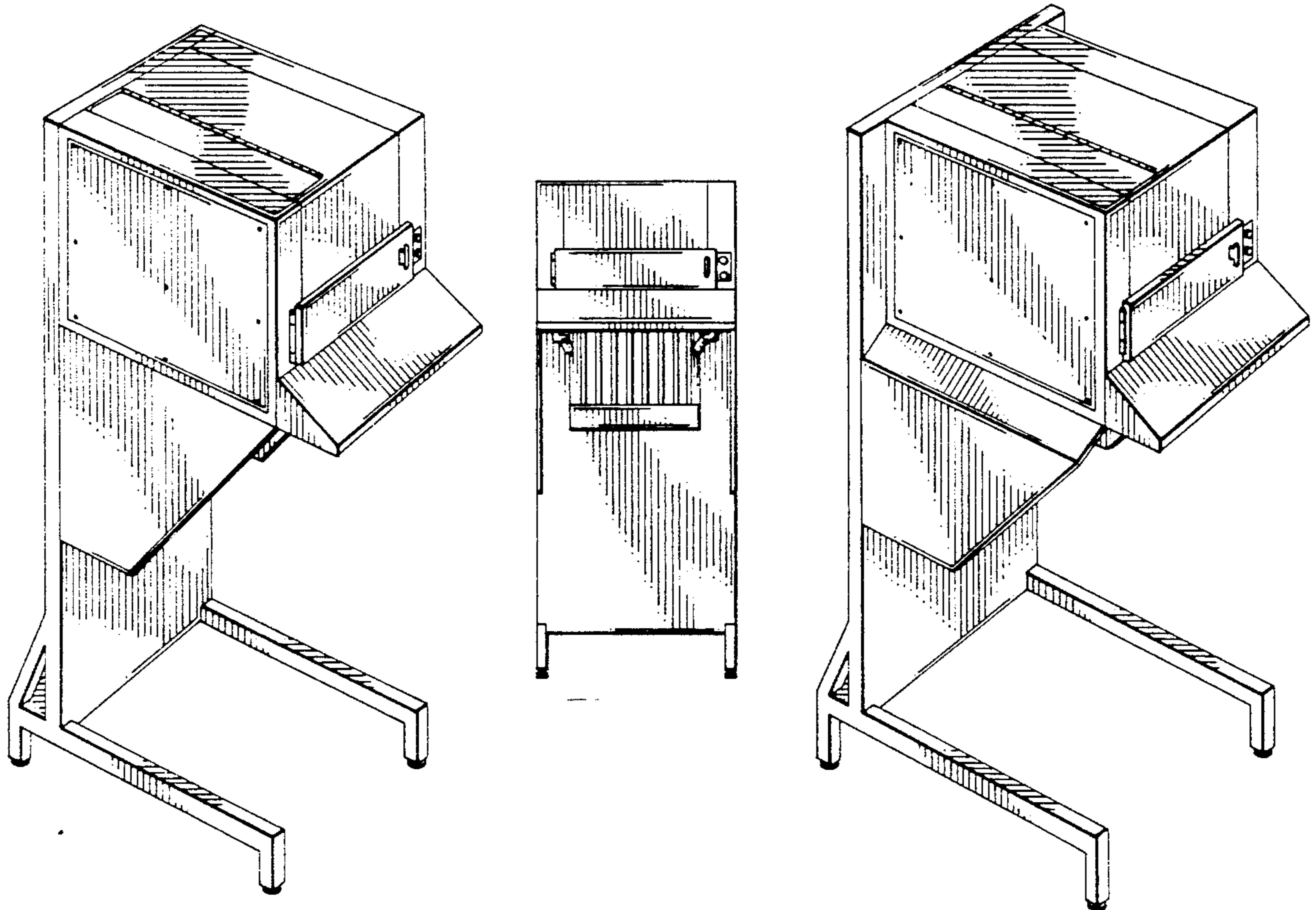
Primary Examiner—Wallace R. Burke
Assistant Examiner—Lisa Lichtenstein
Attorney, Agent, or Firm—Dominik, Stein, Saccocio, Reese, Colitz & Van Der Wall

[57] CLAIM

The ornamental design for a filter hood, as shown and described.

DESCRIPTION

FIG. 1 is a perspective view of a filter hood showing the first embodiment of my design;
FIG. 2 is a front elevational view thereof;
FIG. 3 is a rear elevational view thereof;
FIG. 4 is a right side elevational view thereof, the left side being a mirror image of that shown, except for the upper door;
FIG. 5 is a top plan view thereof;
FIG. 6 is a bottom plan view thereof;
FIG. 7 is a perspective view of a filter hood showing the second embodiment of my new design;
FIG. 8 is a right side elevational view of FIG. 7, the left side being a mirror image of that shown except for the upper door;
FIG. 9 is a front elevational view of FIG. 7;
FIG. 10 is a rear elevational view of FIG. 7;
FIG. 11 is a top plan view of FIG. 7; and,
FIG. 12 is a bottom plan view of FIG. 7.



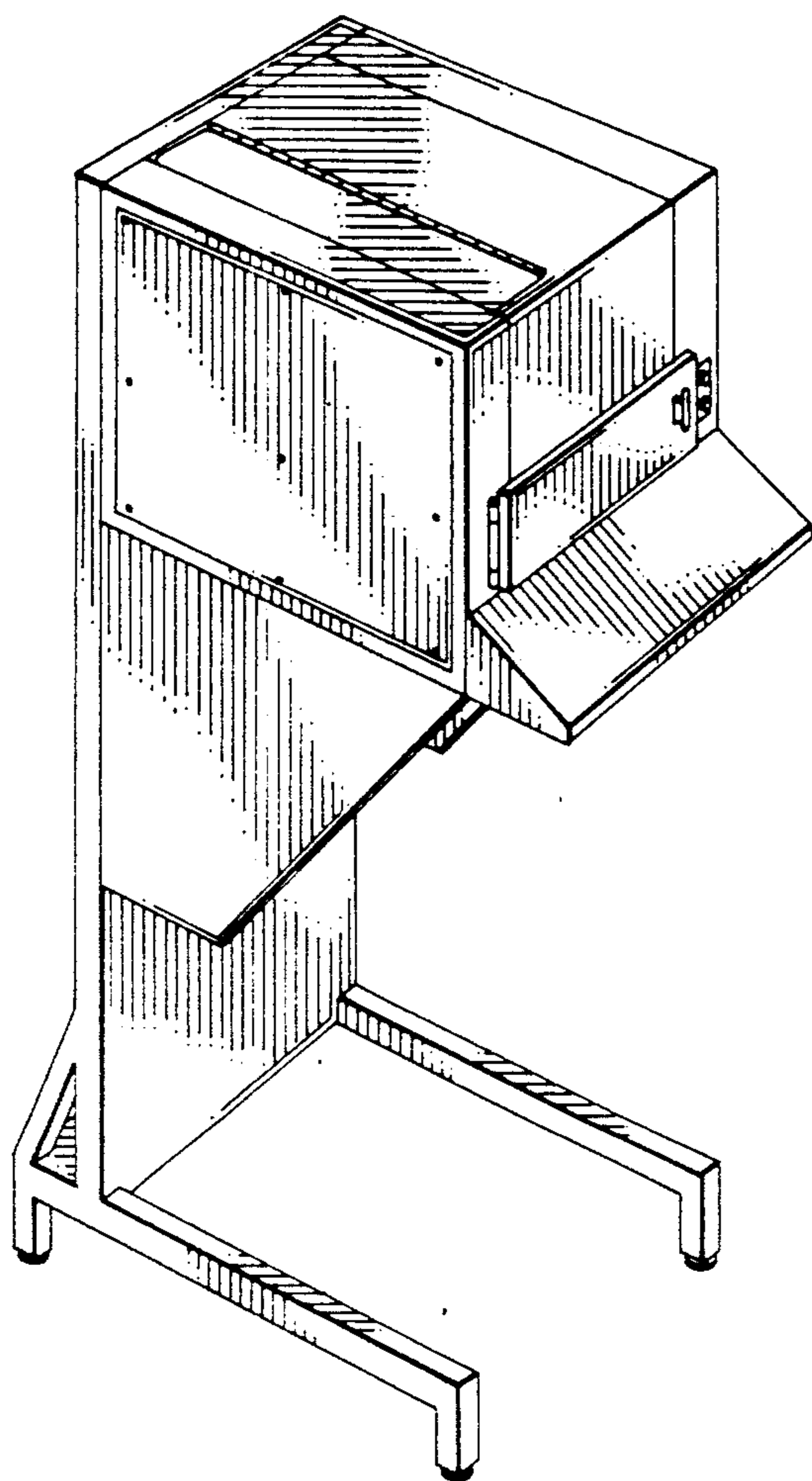


FIG. 1

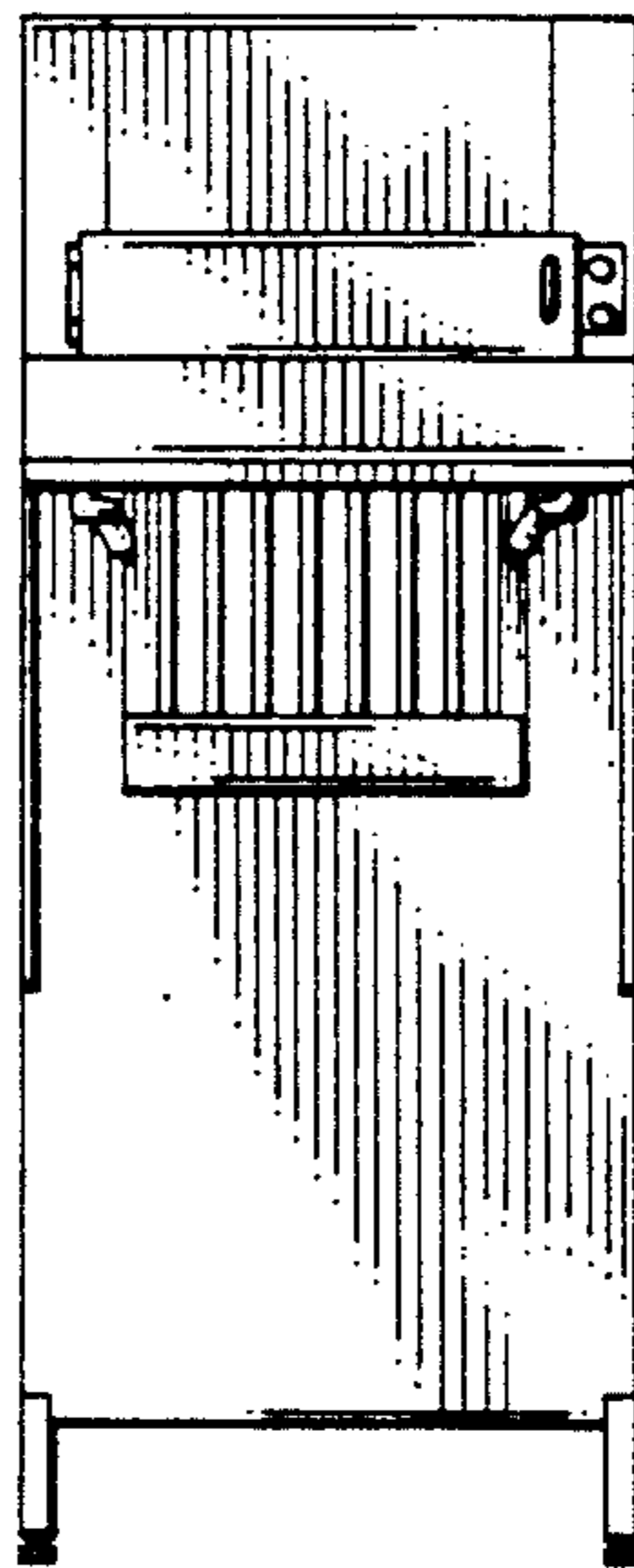


FIG. 2

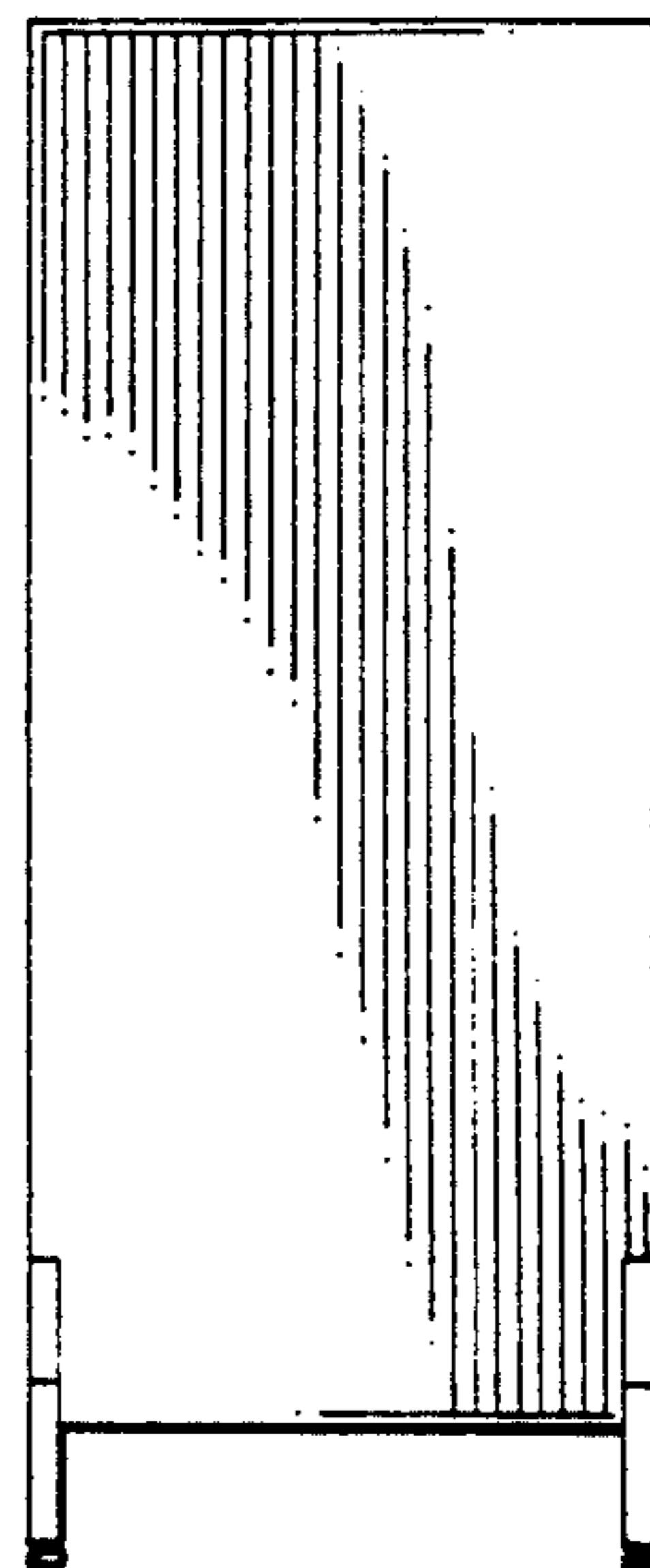


FIG. 3

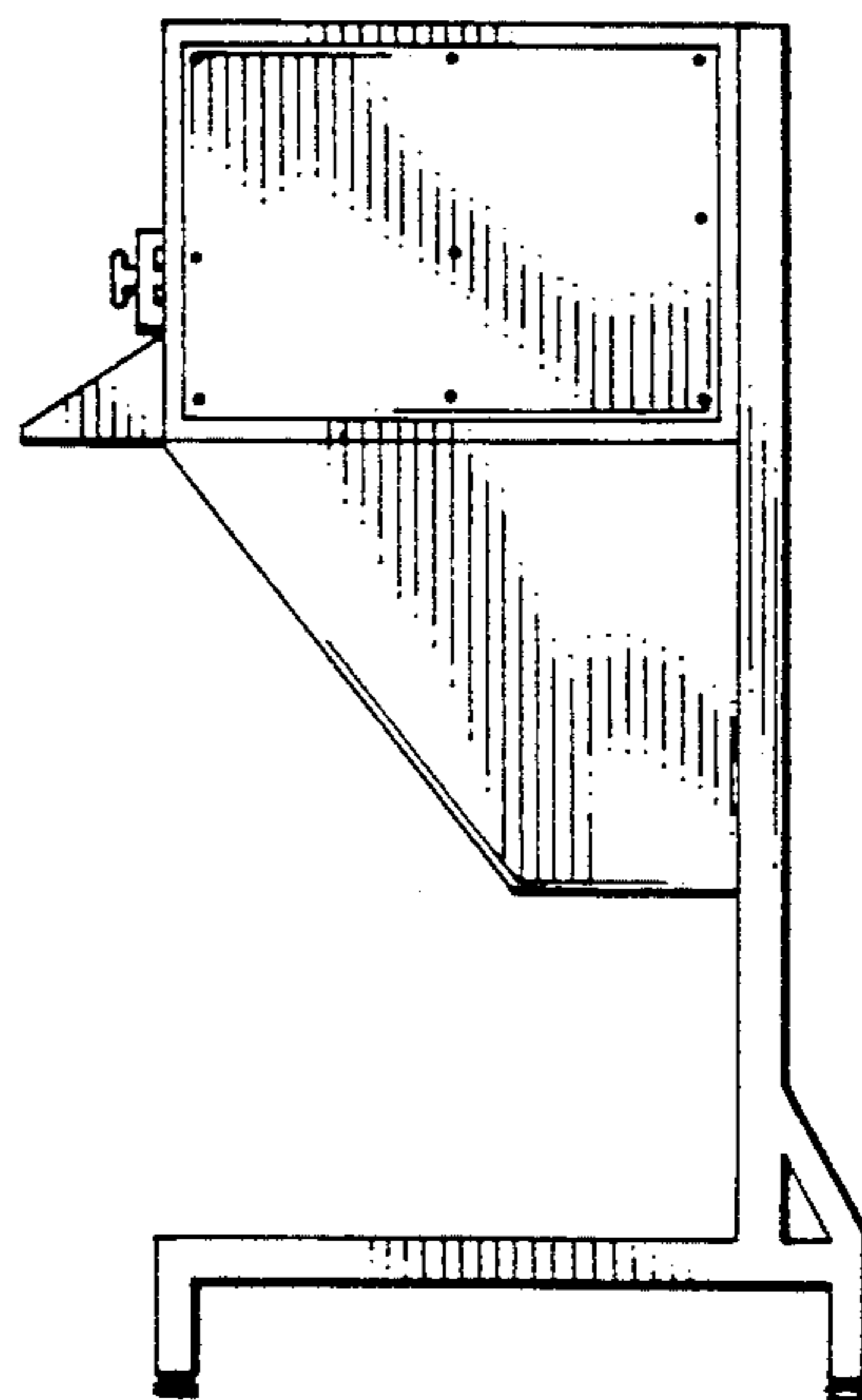


FIG. 4

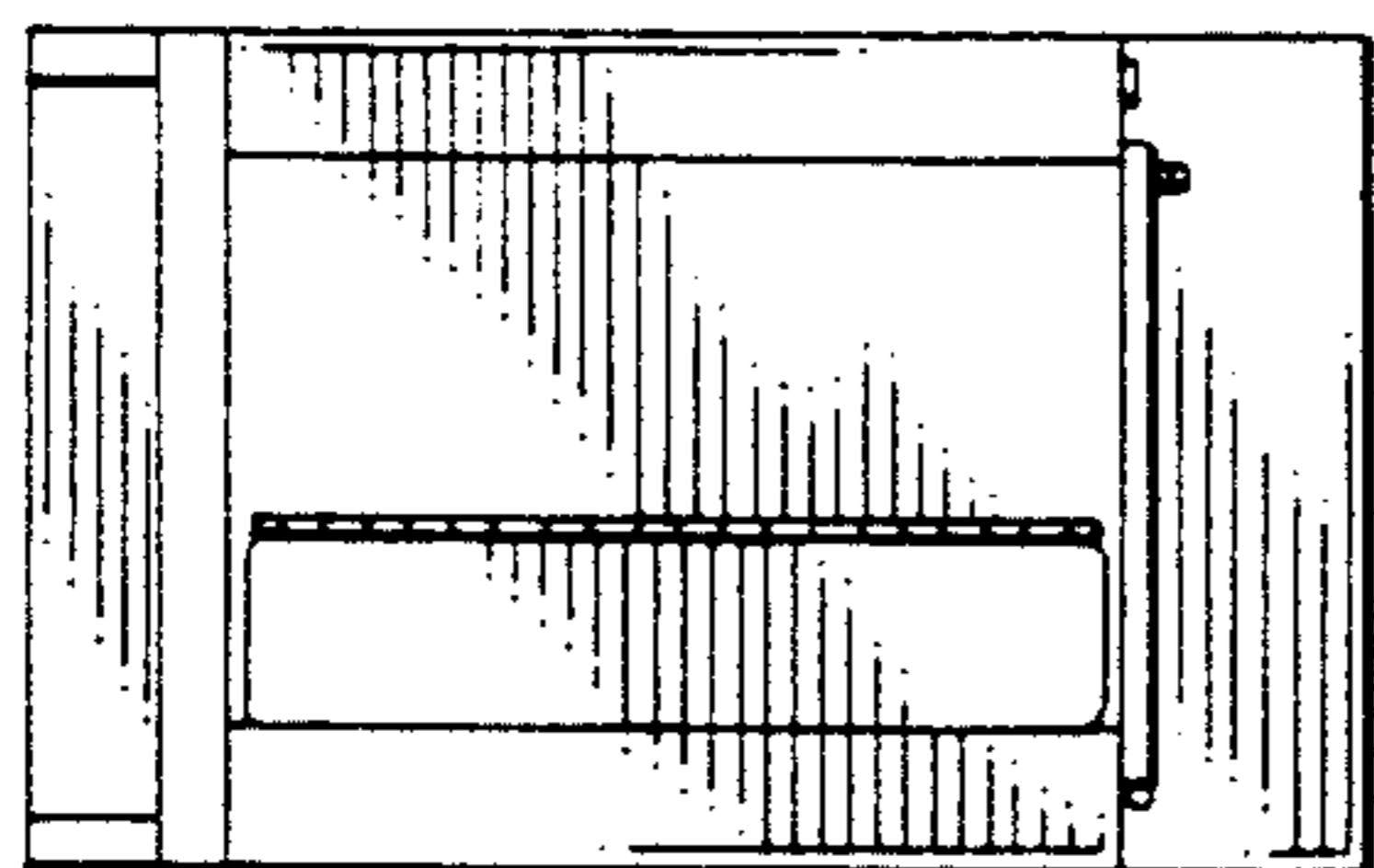


FIG. 5

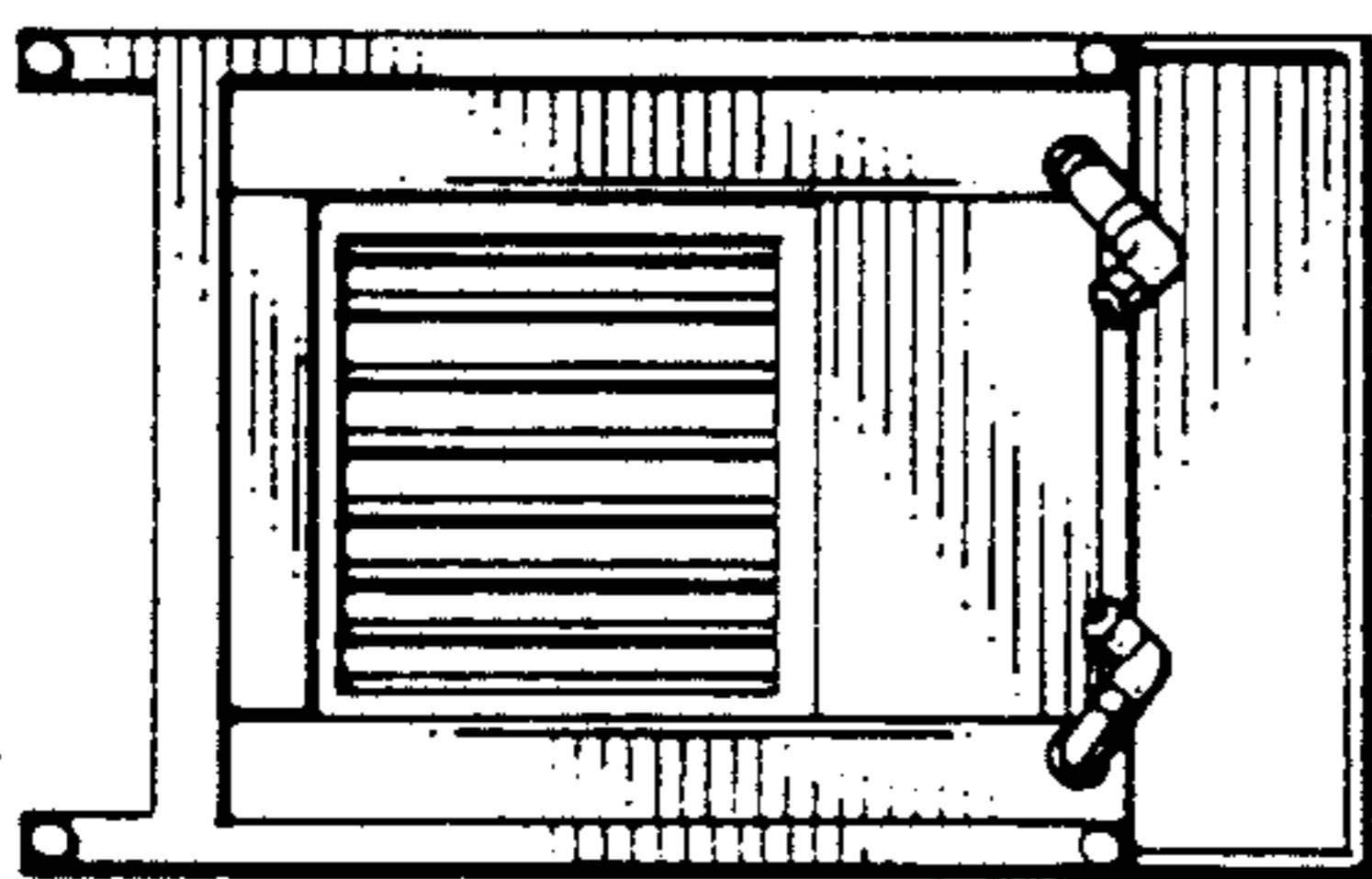


FIG. 6

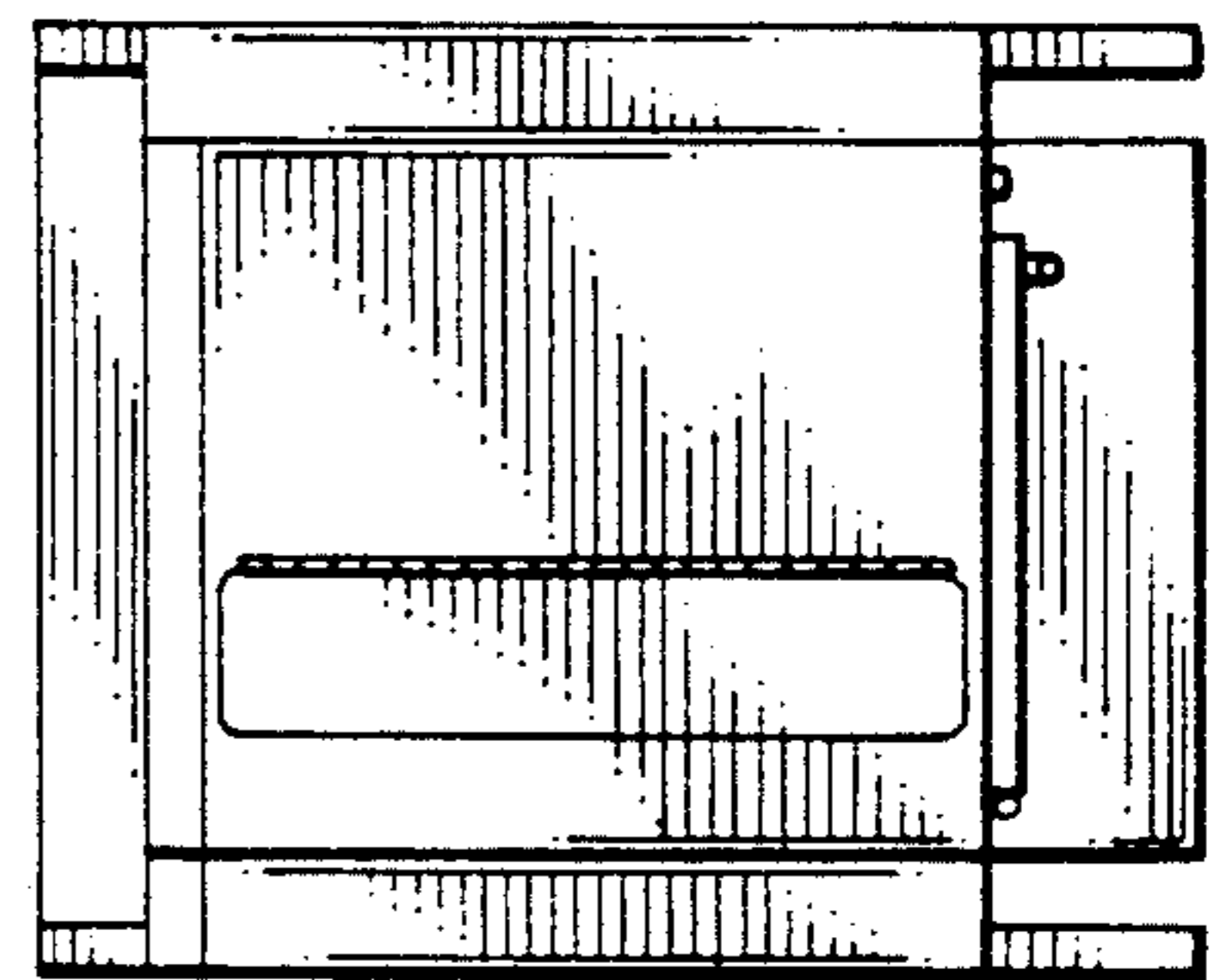
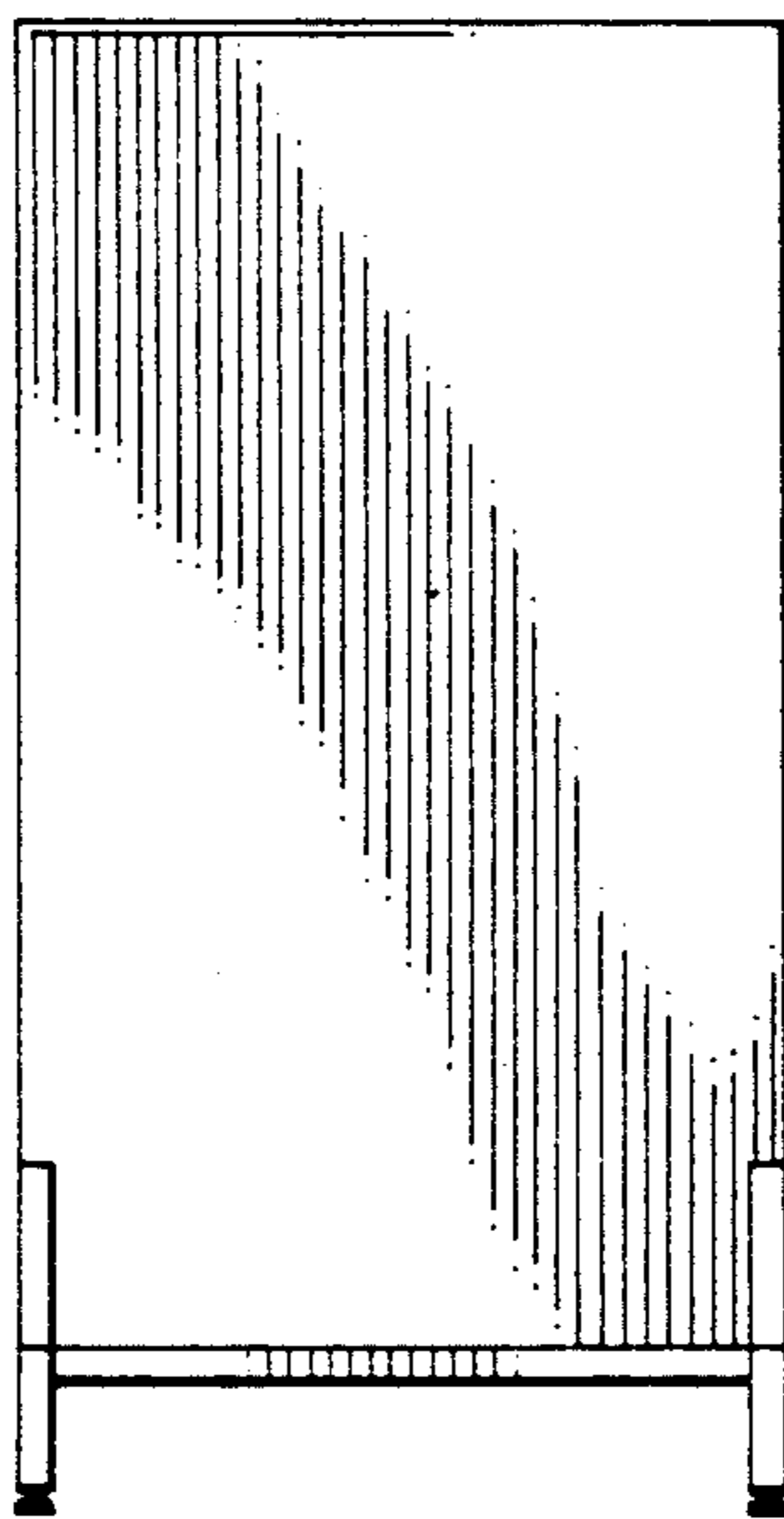
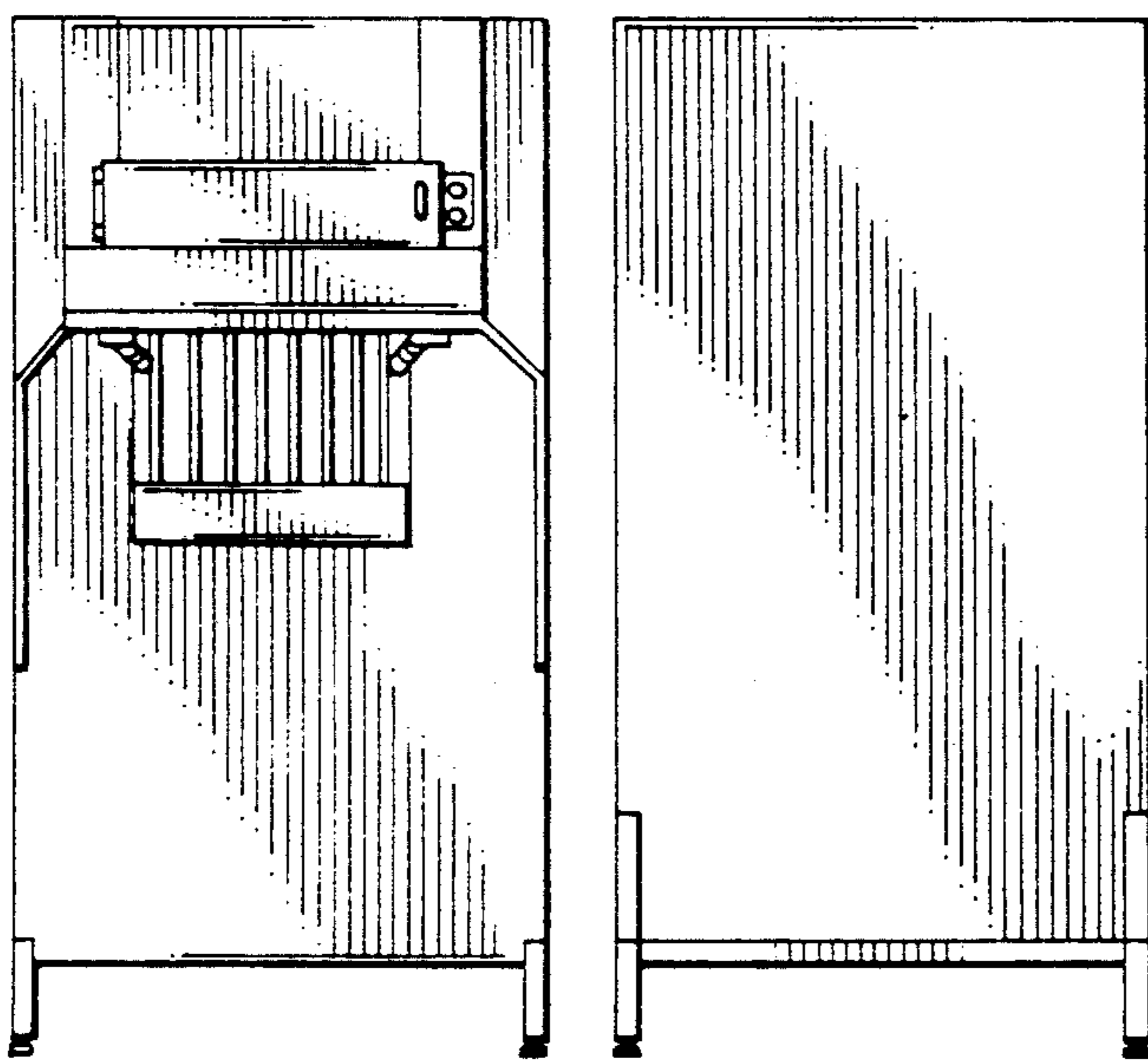
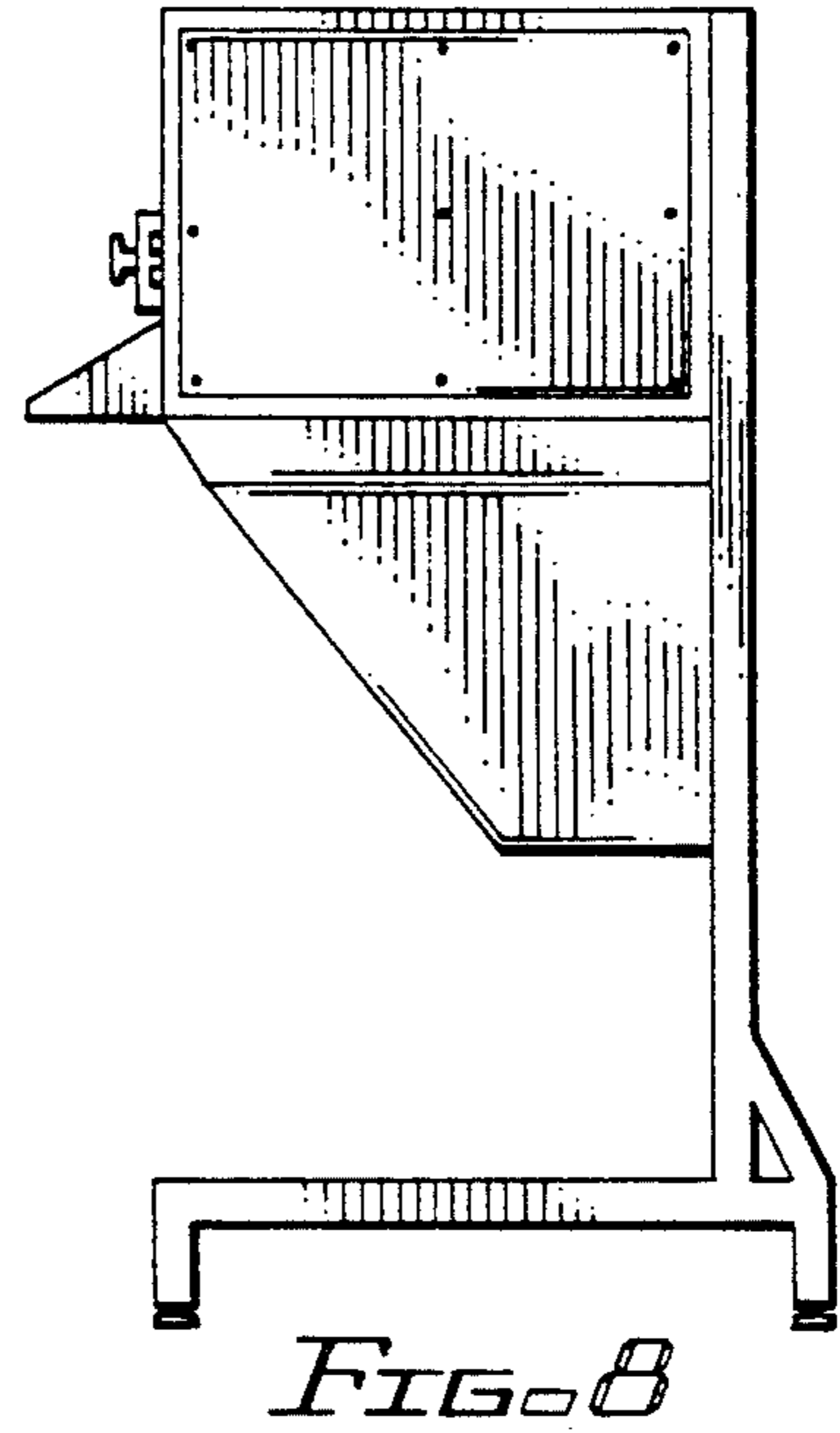
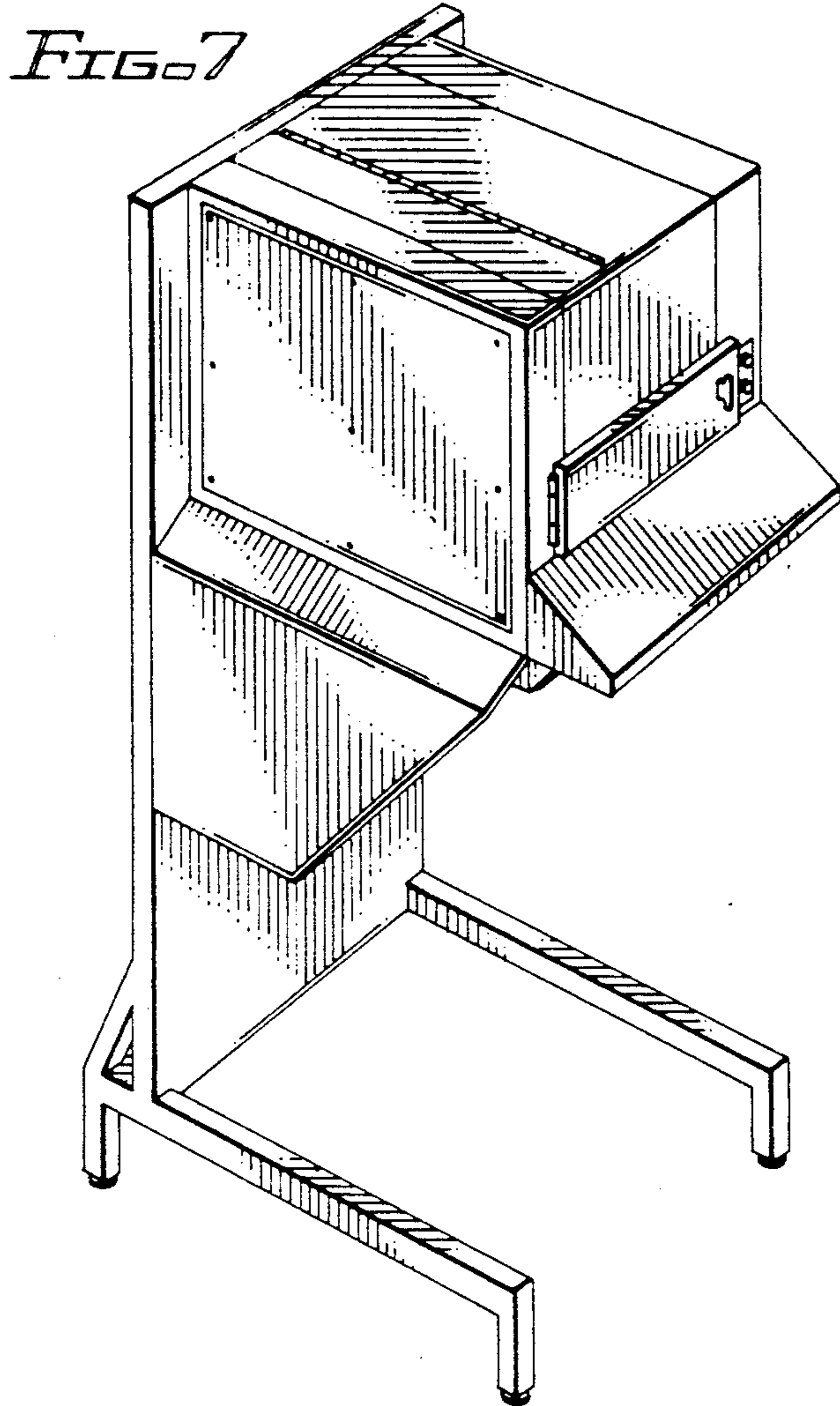


FIG. 11

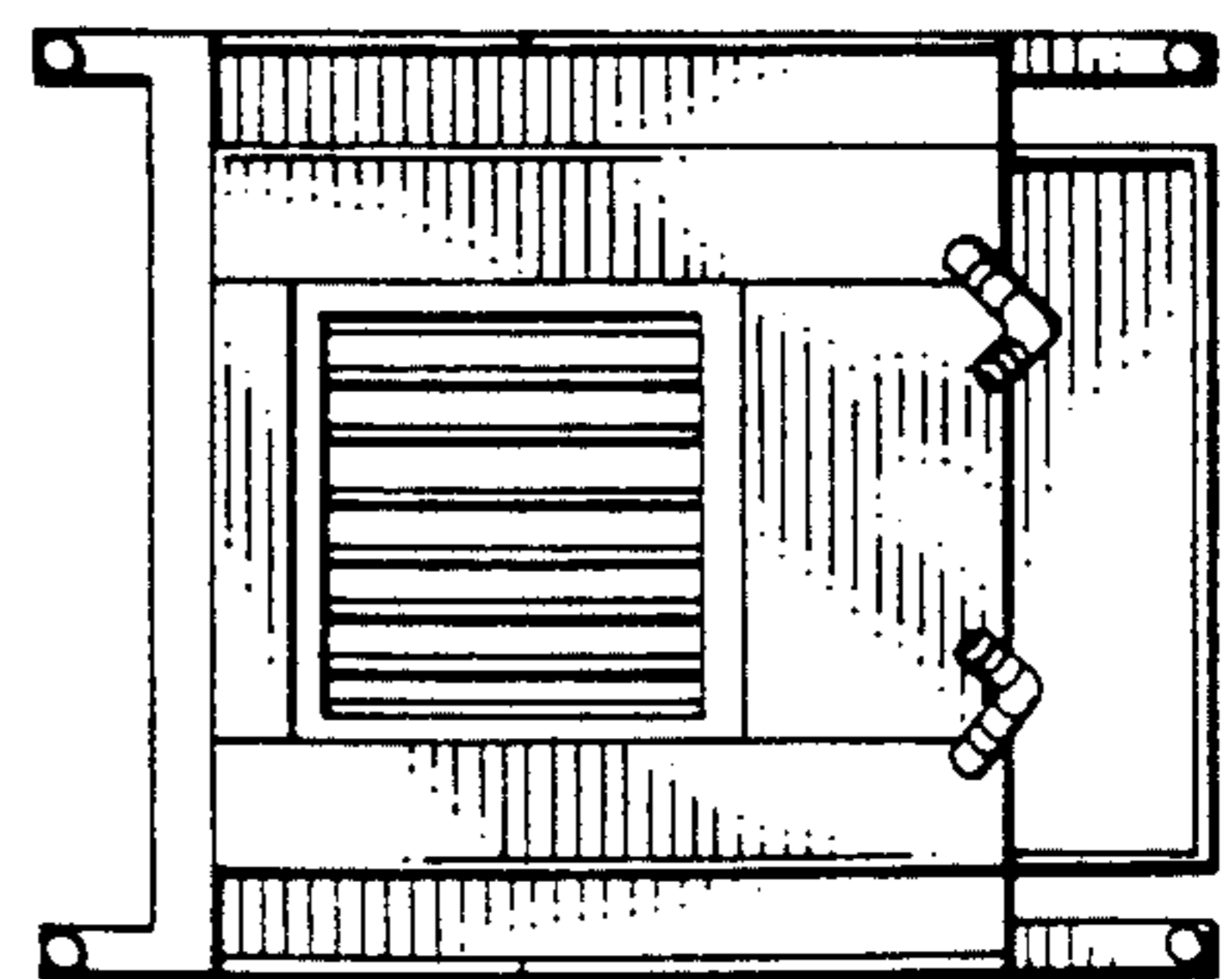


FIG. 12

FIG. 9

FIG. 10