



US00D349154S

United States Patent [19] Mark

[11] Patent Number: **Des. 349,154**

[45] Date of Patent: **** Jul. 26, 1994**

[54] FAUCET HANDLE

[75] Inventor: **Darren M. Mark**, Castaic, Calif.

[73] Assignee: **Emhart, Inc.**, Newark, Del.

[**] Term: **14 Years**

[21] Appl. No.: **4,253**

[22] Filed: **Jan. 29, 1993**

[52] U.S. Cl. **D23/252**

[58] Field of Search **D8/300, 307-312;**
16/110 R, 118, 121; 4/675-678; D23/238-243,
250-254

D. 223,155	3/1972	Owings	D23/252
D. 223,913	6/1972	Niemann	D23/252
D. 290,492	6/1987	Hill et al.	D23/238
D. 290,740	7/1987	Yost	D23/252
D. 297,257	8/1988	Kohler, Jr. et al.	D23/252
D. 297,357	8/1988	Spangler	D23/252
D. 297,358	8/1988	Hill	D23/252
D. 299,739	2/1989	Kohler, Jr. et al.	D23/252

Primary Examiner—James R. Largen

Attorney, Agent, or Firm—J. Bruce Hoofnagle

[57] **CLAIM**

The ornamental design for faucet handle, as shown and described.

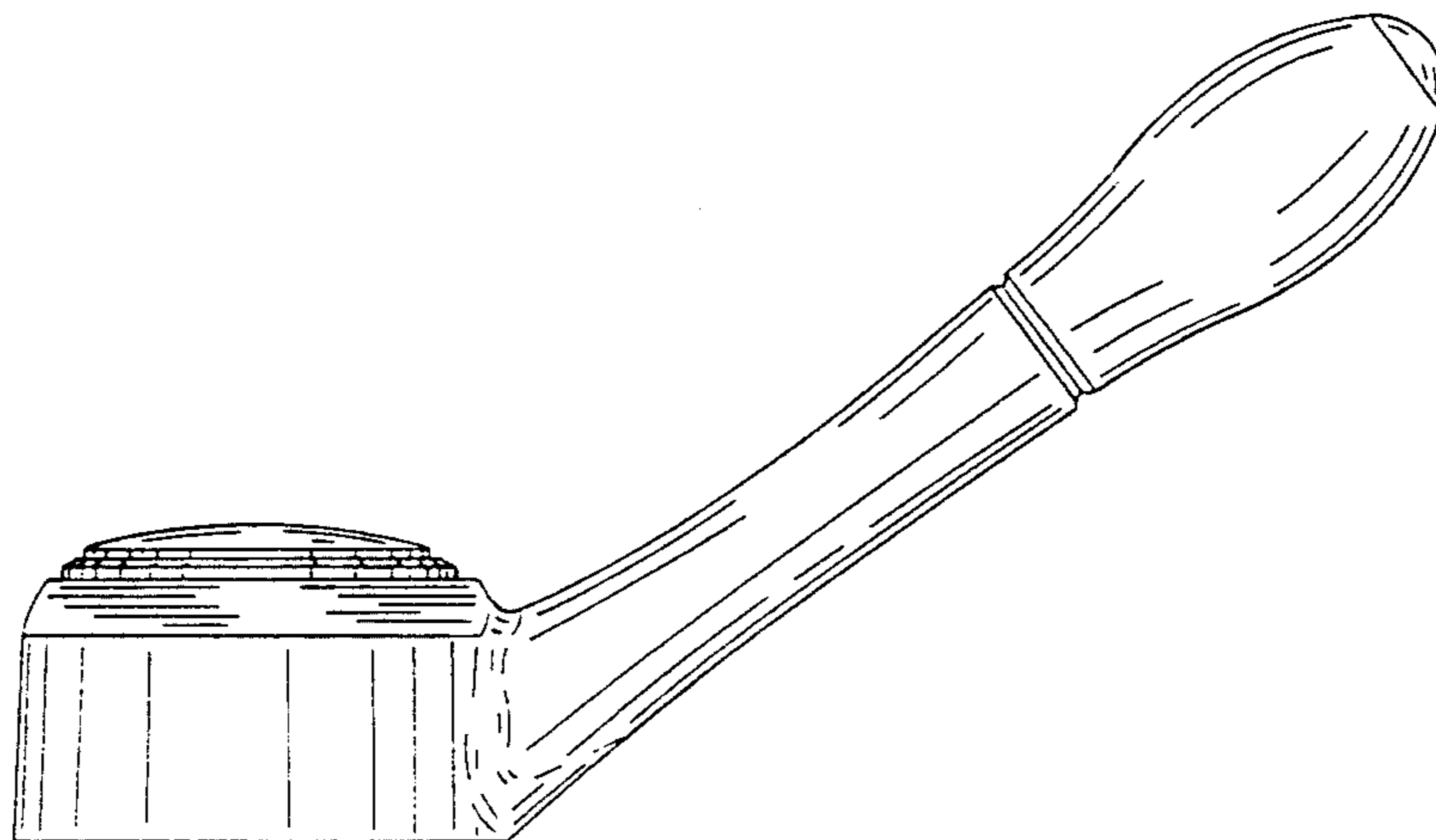
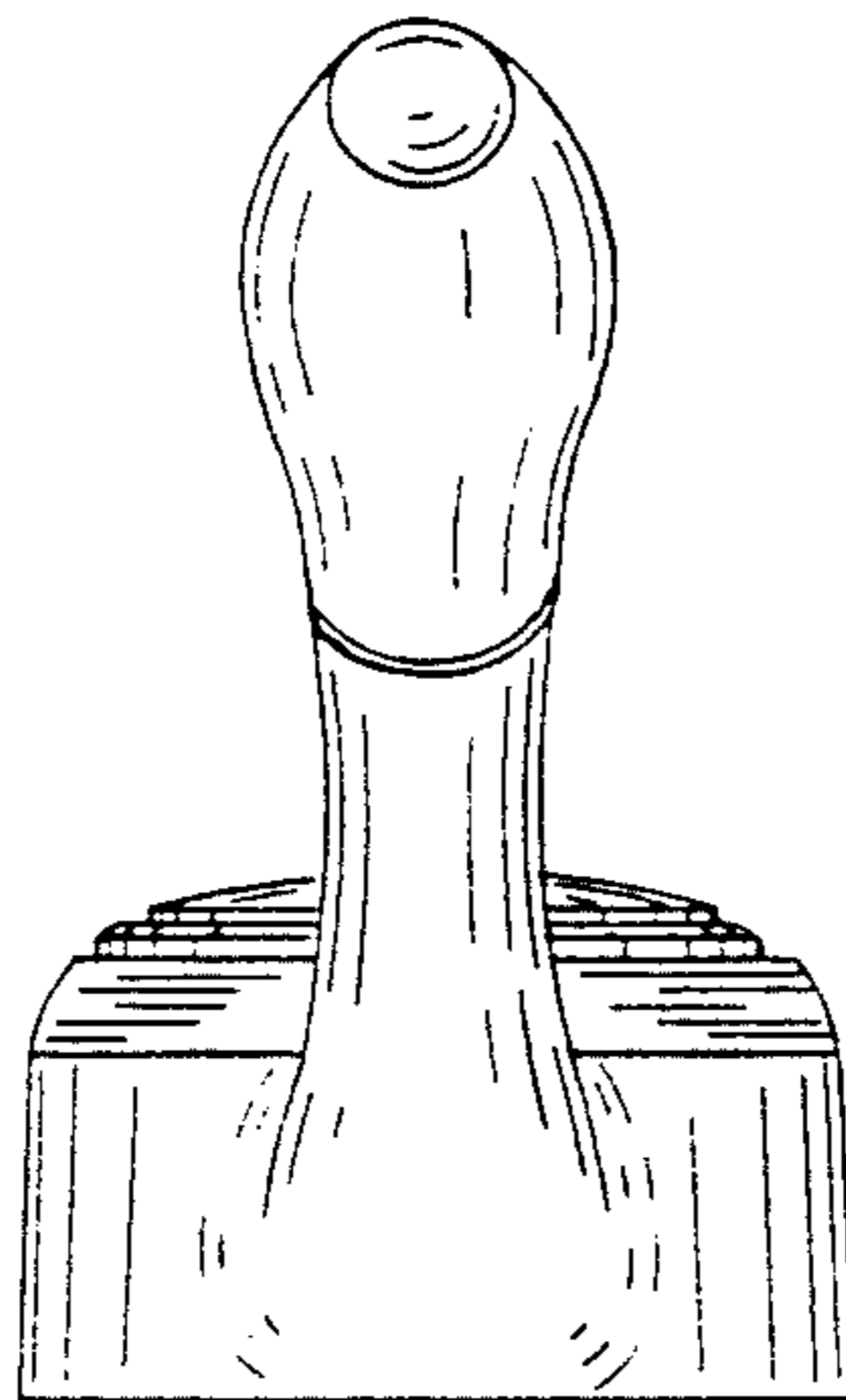
[56] **References Cited**

U.S. PATENT DOCUMENTS

D. 72,243	3/1927	Shore .	
D. 102,402	12/1936	Tautz .	
D. 154,879	8/1949	Rosander et al. .	
D. 186,565	11/1959	Dreyfuss .	
D. 187,206	2/1960	Dreyfuss .	
D. 213,874	4/1969	Landell et al.	D23/238
D. 219,782	1/1971	Tiller	D23/252
D. 221,431	8/1971	Petterson	D23/252

DESCRIPTION

FIG. 1 is a front elevational view of a faucet handle showing my new design;
FIG. 2 is a left side elevational view thereof, the right side being a mirror image of the left side;
FIG. 3 is a rear elevational view thereof;
FIG. 4 is a top plan view thereof;
FIG. 5 is a bottom plan view thereof; and,
FIG. 6 is a perspective view taken from the top, front and left side thereof.



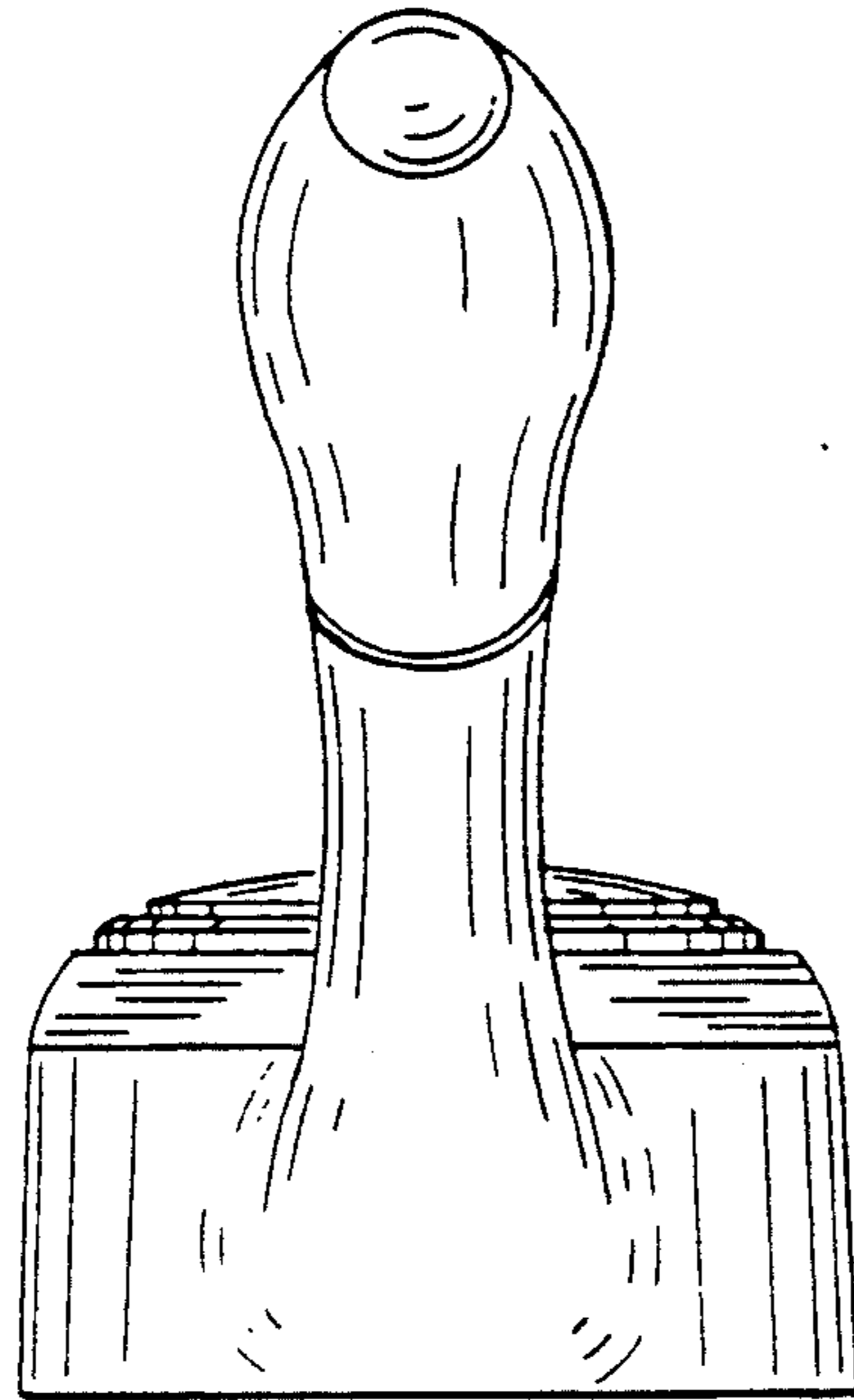


FIG. 1

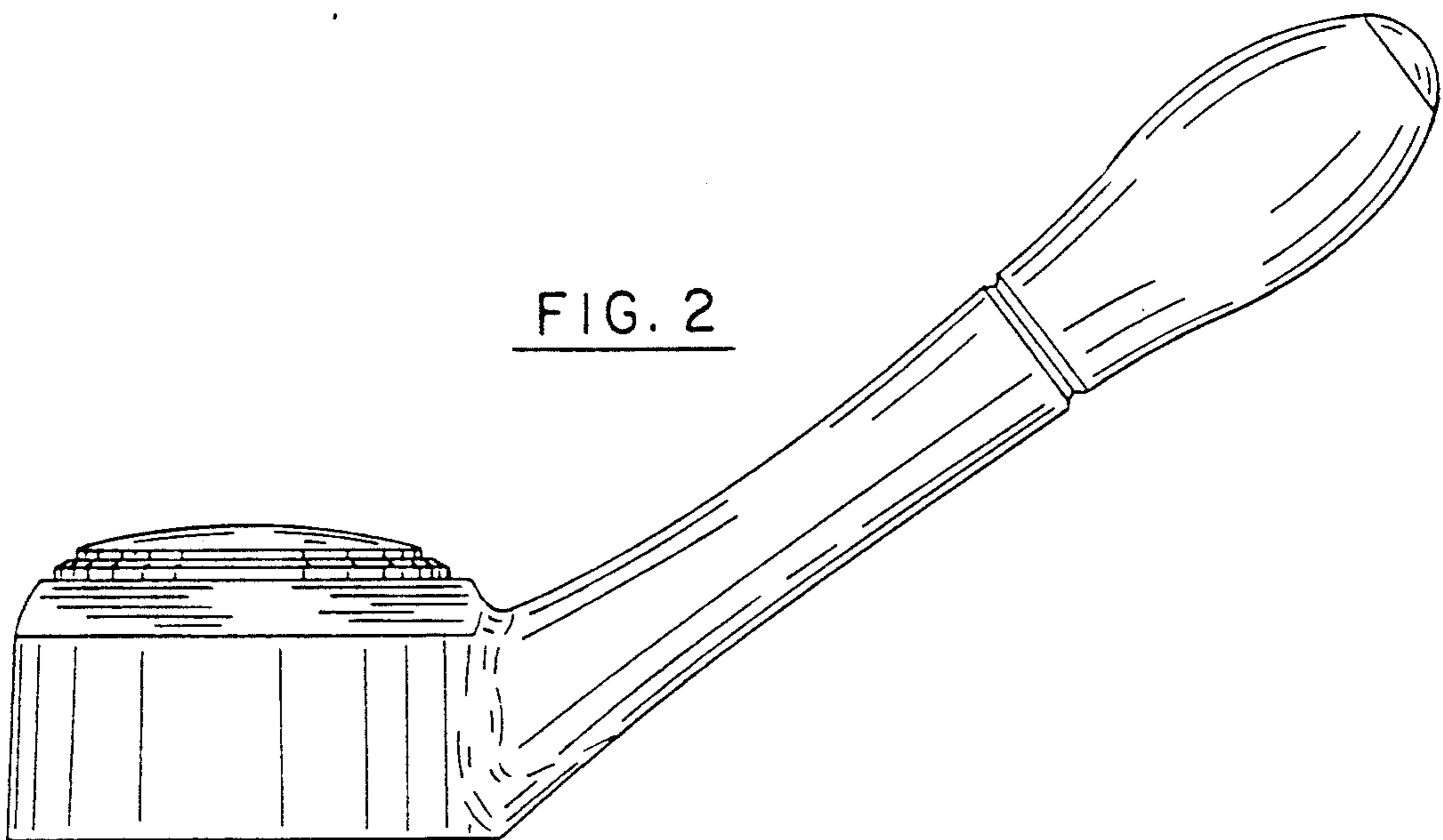


FIG. 2

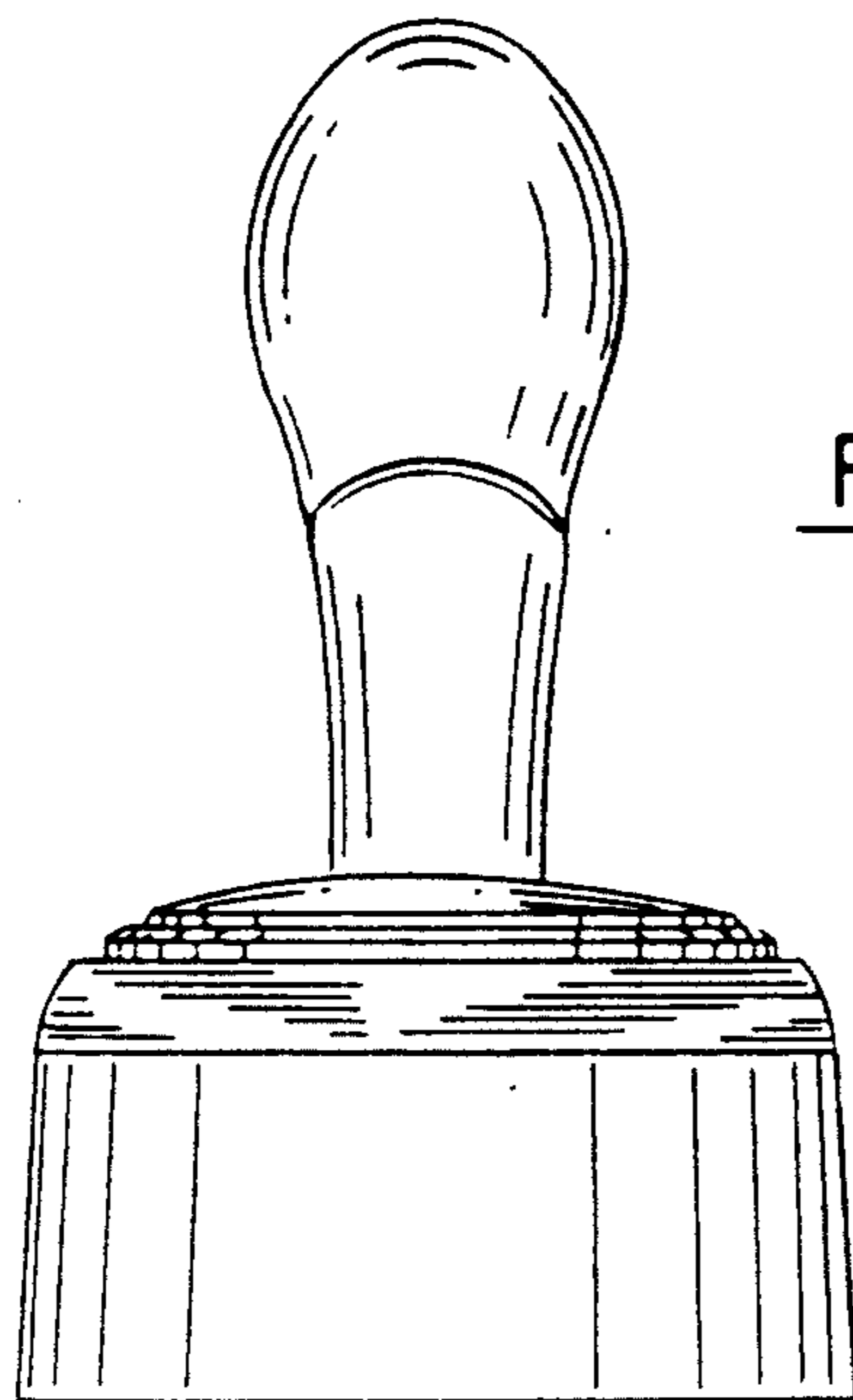


FIG. 3

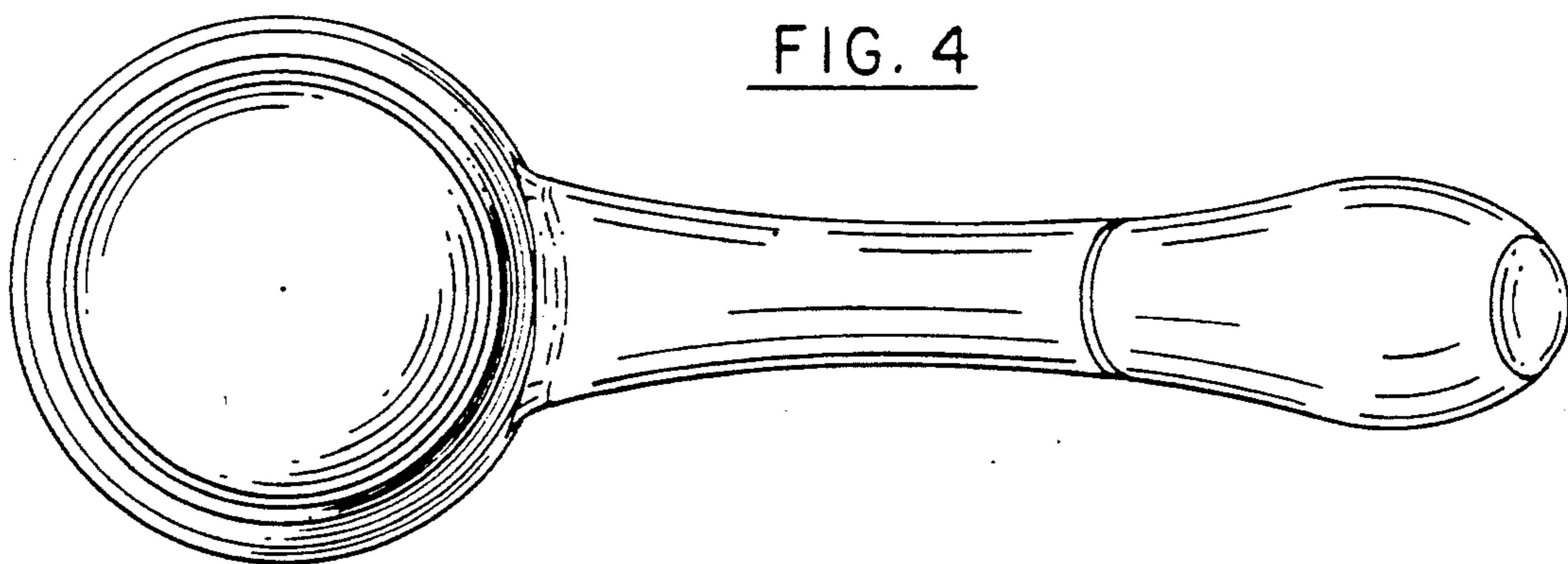


FIG. 4

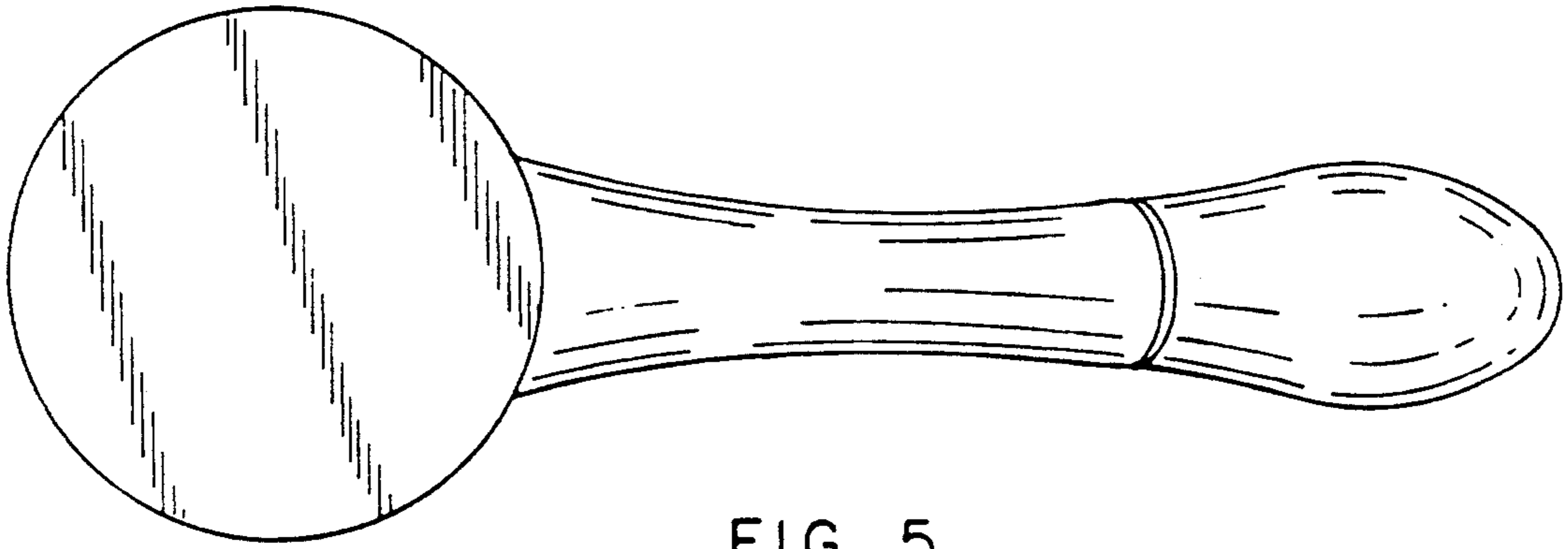


FIG. 5

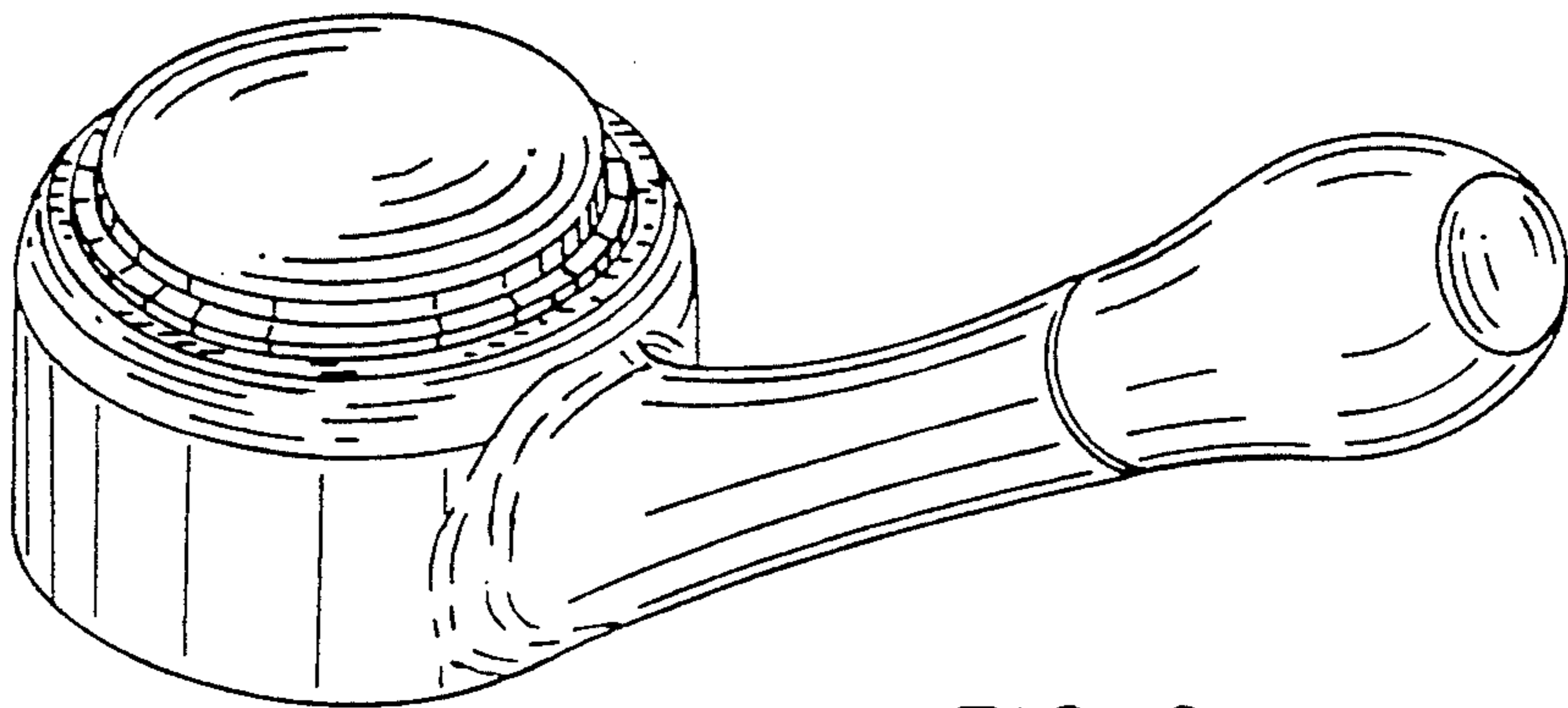


FIG. 6