



US00D349153S

United States Patent [19]

[11] Patent Number: **Des. 349,153**

Sauter et al.

[45] Date of Patent: **** Jul. 26, 1994**

[54] FAUCET

[75] Inventors: **Bruce M. Sauter, Elgin; Kevin G. Short, Midlothian, both of Ill.**

[73] Assignee: **Sterling Plumbing Group, Inc., Schaumburg, Ill.**

[**] Term: **14 Years**

[21] Appl. No.: **930,026**

[22] Filed: **Aug. 14, 1992**

[52] U.S. Cl. **D23/238**

[58] Field of Search **D8/300, 307-312; 4/675-678; 137/606, 625.17, 801; D23/238-243, 250-254**

OTHER PUBLICATIONS

Domestic Engineering, Jul. 1964, p. 50, "New Model 502" item.

Domestic Engineering, Jun. 1961, p. 164, "Redesigned Fitting" item.

Delta Faucet Company calatog:(C) 1976, rear cover, center right item.

Undated Sterling as for Top Brass Faucet (admitted prior art).

Undated ad showing a Ligne Surf II faucet (admitted prior art).

Primary Examiner—James R. Largen

Attorney, Agent, or Firm—Quarles & Brady

[57] CLAIM

The ornamental design for a faucet, as shown and described.

DESCRIPTION

FIG. 1 is a perspective view taken from the top, front and left side of a faucet showing our new design;

FIG. 2 is a left side elevational view thereof, the right side being a mirror image of the left side;

FIG. 3 is a front elevational view thereof;

FIG. 4 is a top plan view thereof;

FIG. 5 is a rear elevational view thereof;

FIG. 6 is a bottom plan view thereof;

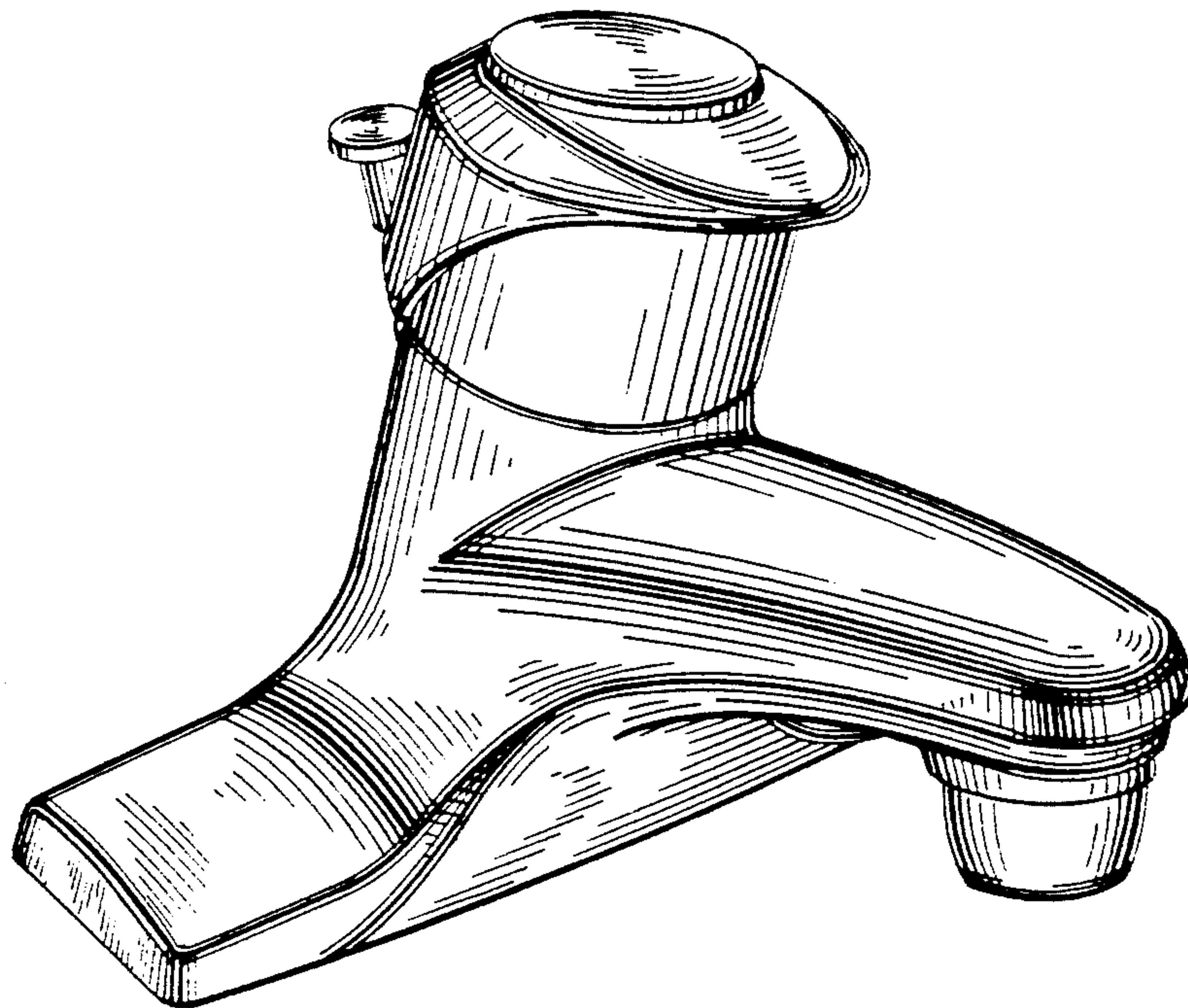
FIG. 7 is a top plan view of a second embodiment thereof, this embodiment being the same as the first embodiment except for the omission of the top cap; and,

FIG. 8 is a left side elevational view of a third embodiment thereof, this embodiment being the same as the first embodiment except for the absence of the drain pull.

[56] References Cited

U.S. PATENT DOCUMENTS

D. 193,757	10/1962	Armstrong	D23/238
D. 193,922	10/1962	Ross et al.	D23/238
D. 200,754	3/1965	Landell	D23/238
D. 204,441	4/1966	Harvey et al.	D23/238
D. 258,518	3/1981	Thevenot	D23/238
D. 310,257	8/1990	Spangler	D23/238
D. 323,549	1/1992	Haug et al.	D23/238
D. 323,877	2/1992	Haug et al.	D23/238
D. 325,423	4/1992	Kolada et al.	D23/238
D. 325,959	5/1992	Kolada	D23/252
D. 329,685	9/1992	Brattoli et al.	D23/238
3,893,482	7/1975	Loose	137/625.17
4,552,171	11/1985	Farrell	137/801 X
5,031,657	7/1991	Stairs	137/801 X



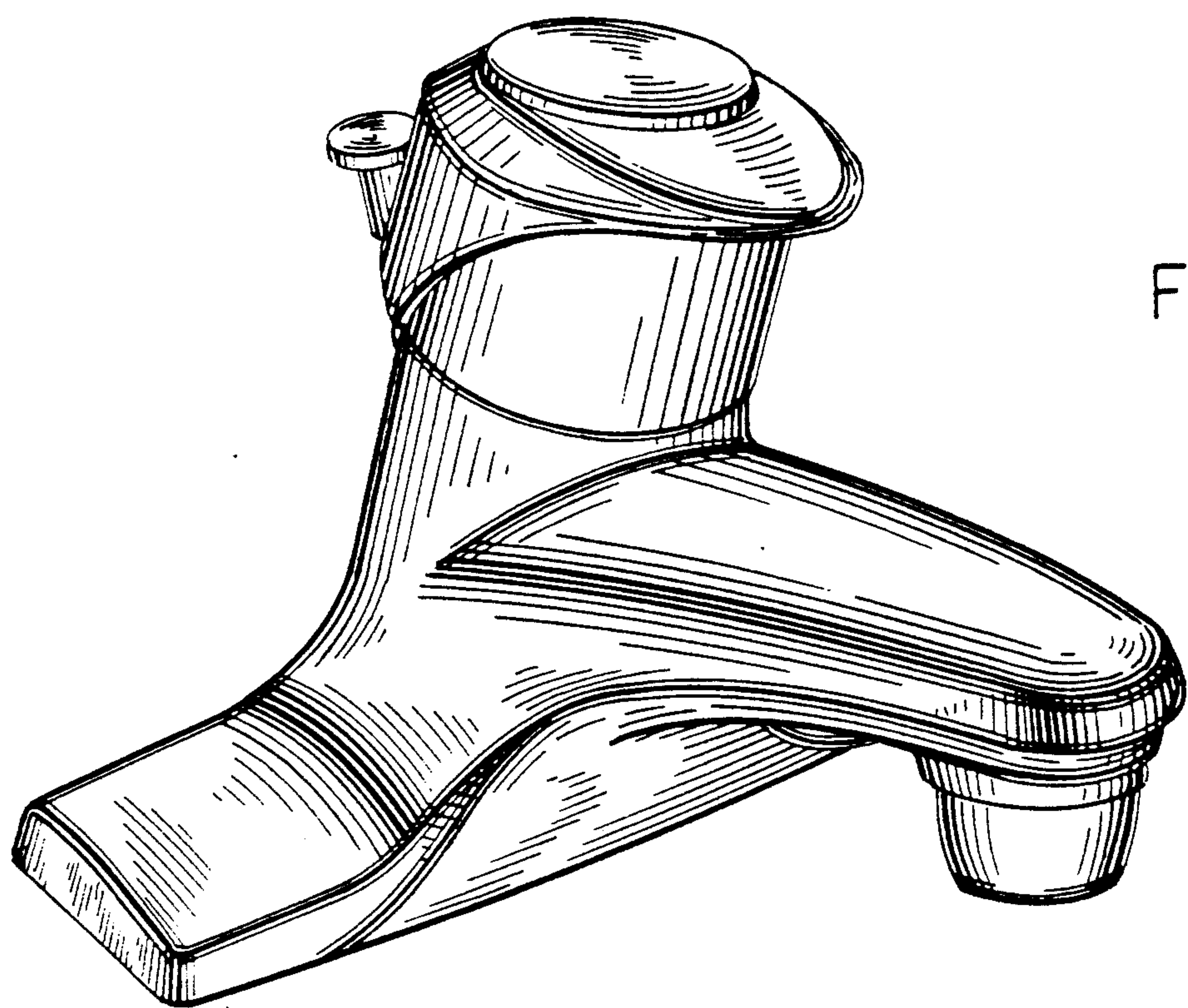


FIG. 1

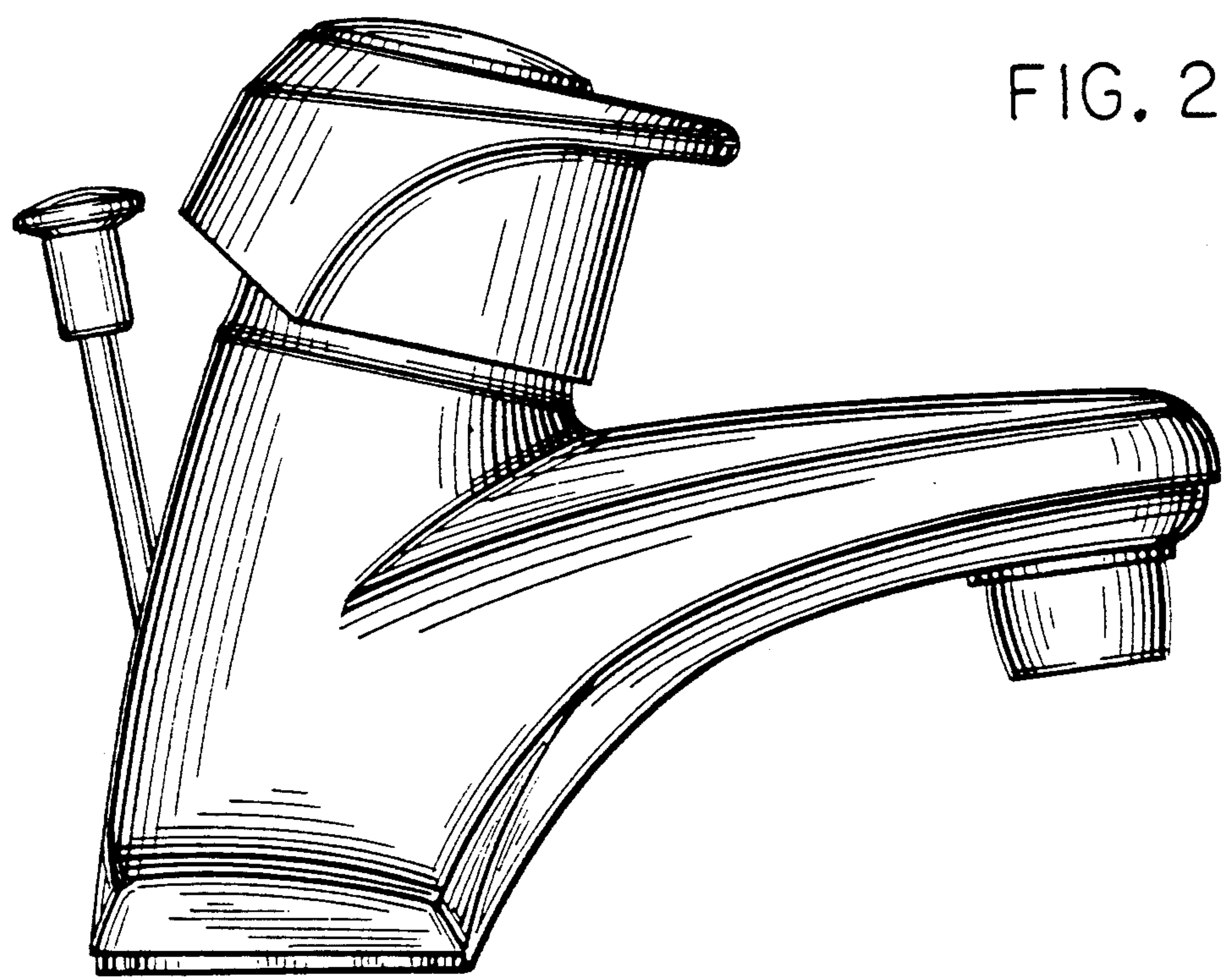


FIG. 2

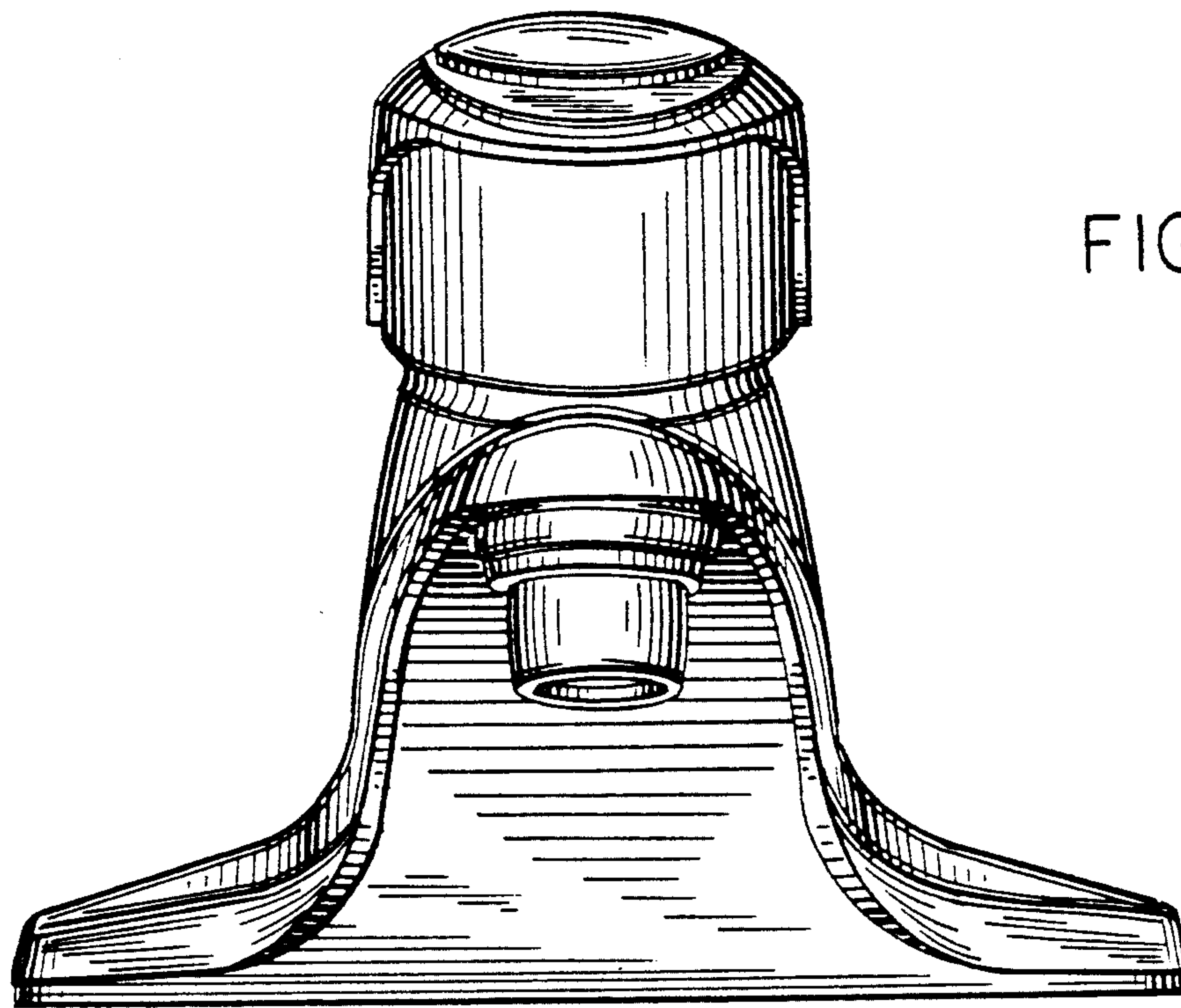


FIG. 3

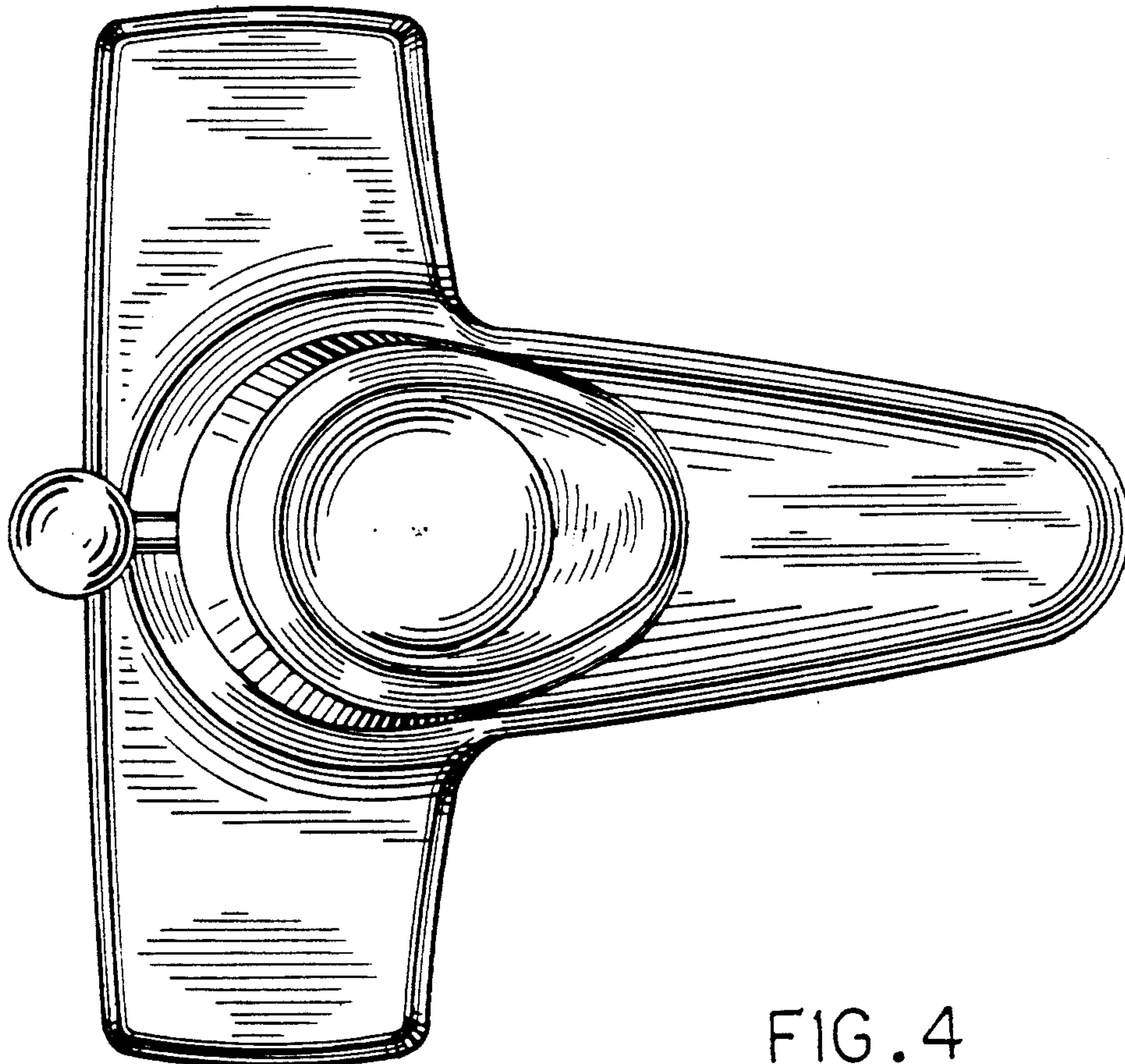


FIG. 4

FIG. 5

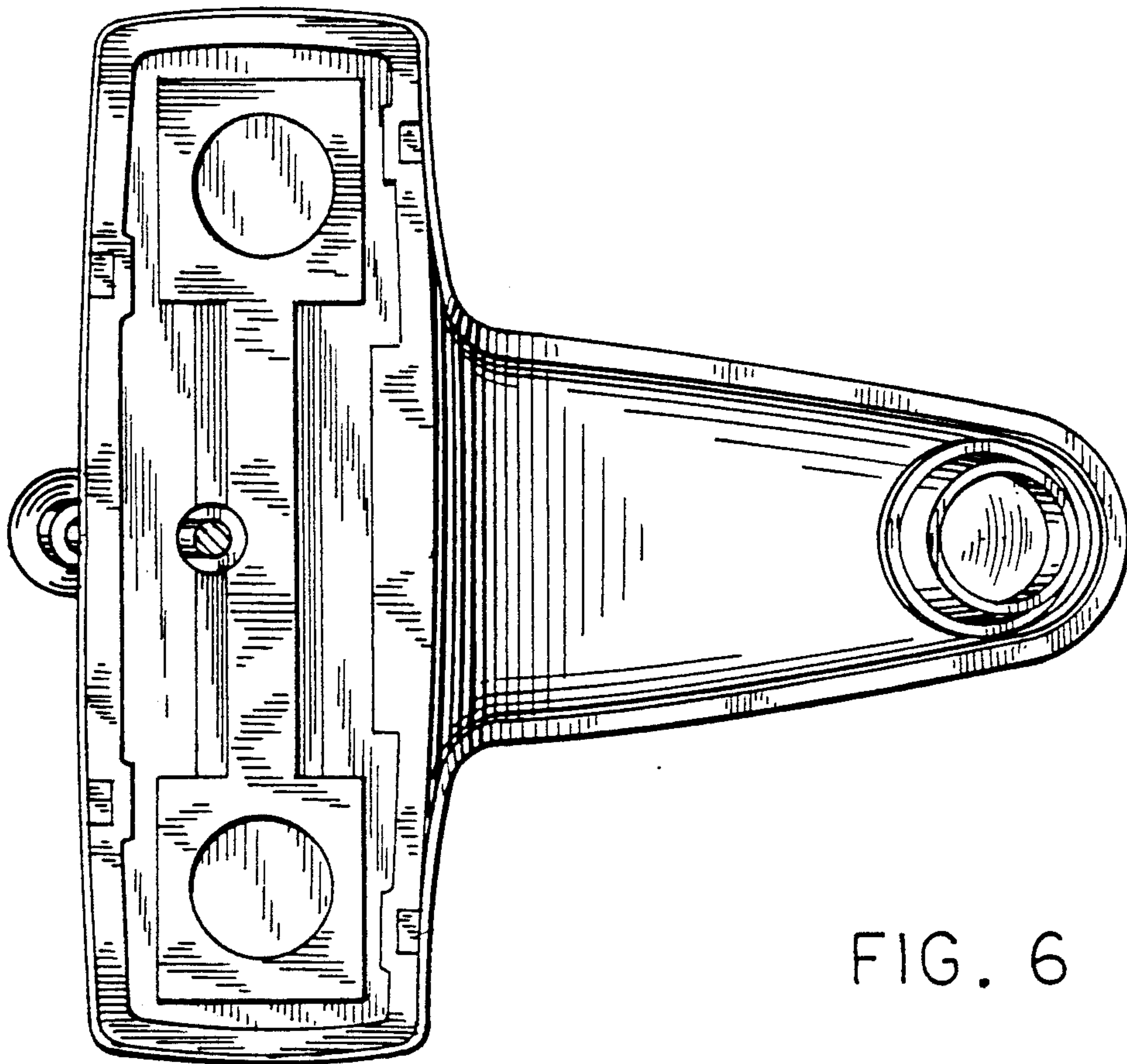
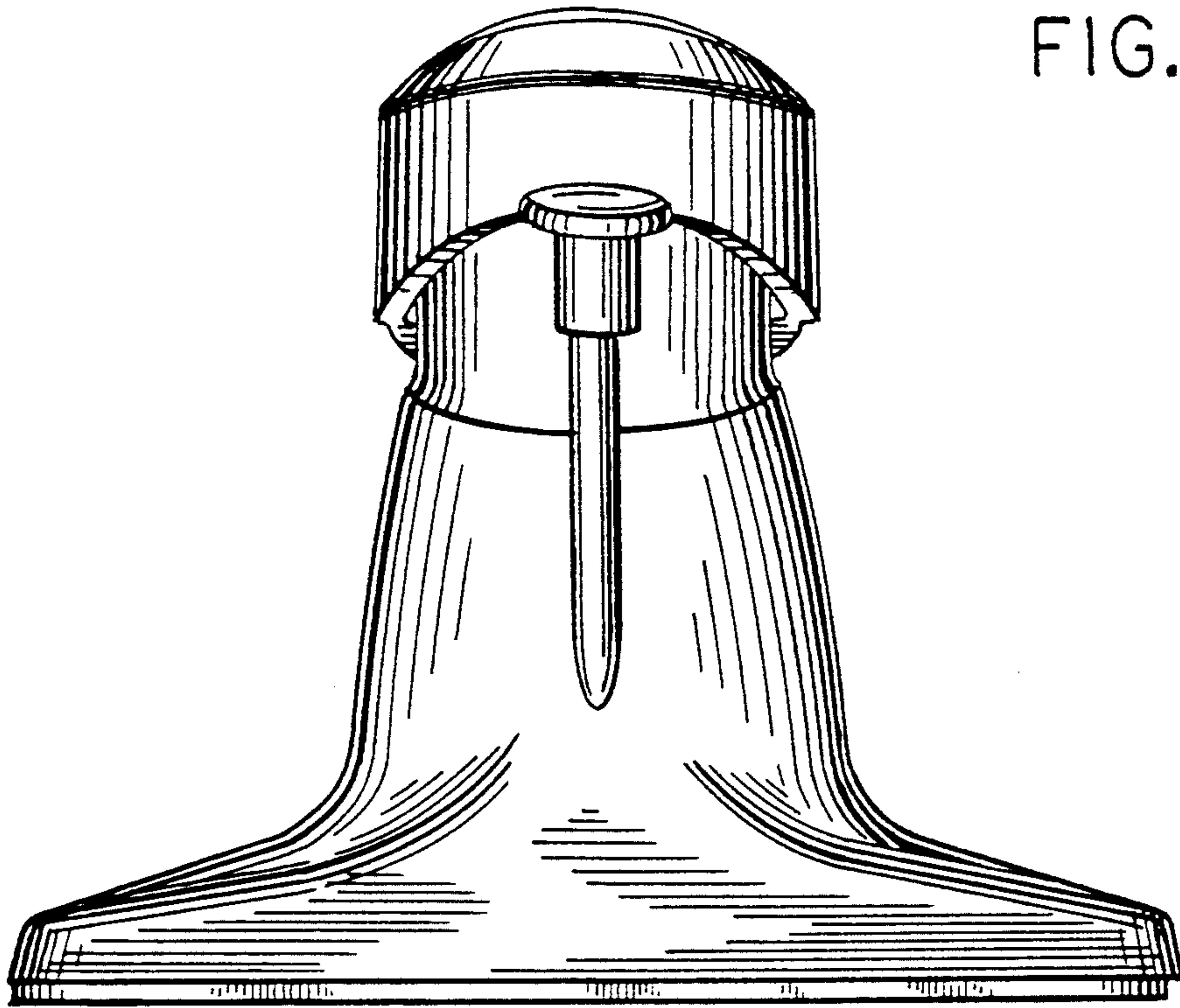


FIG. 6

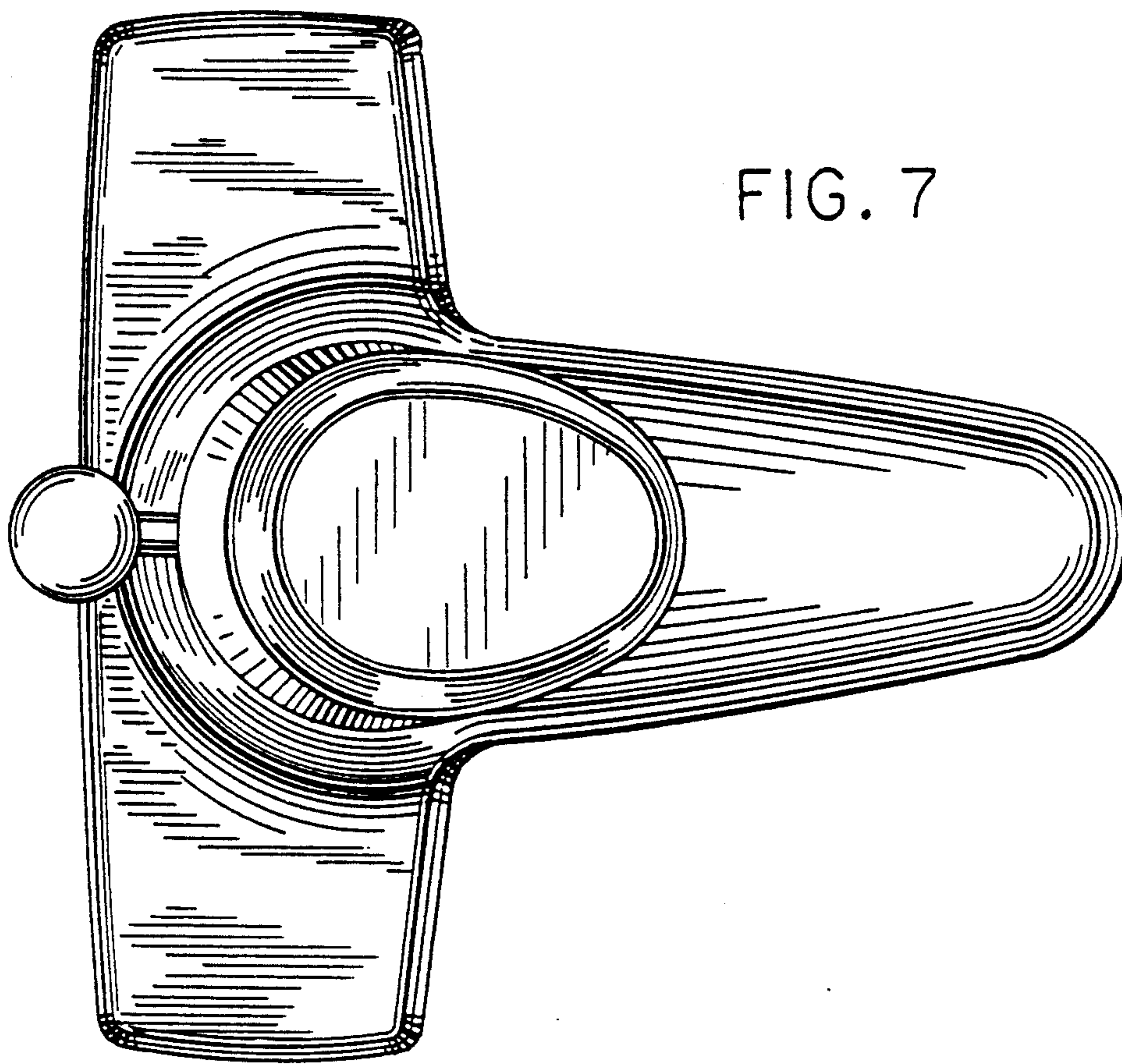


FIG. 7

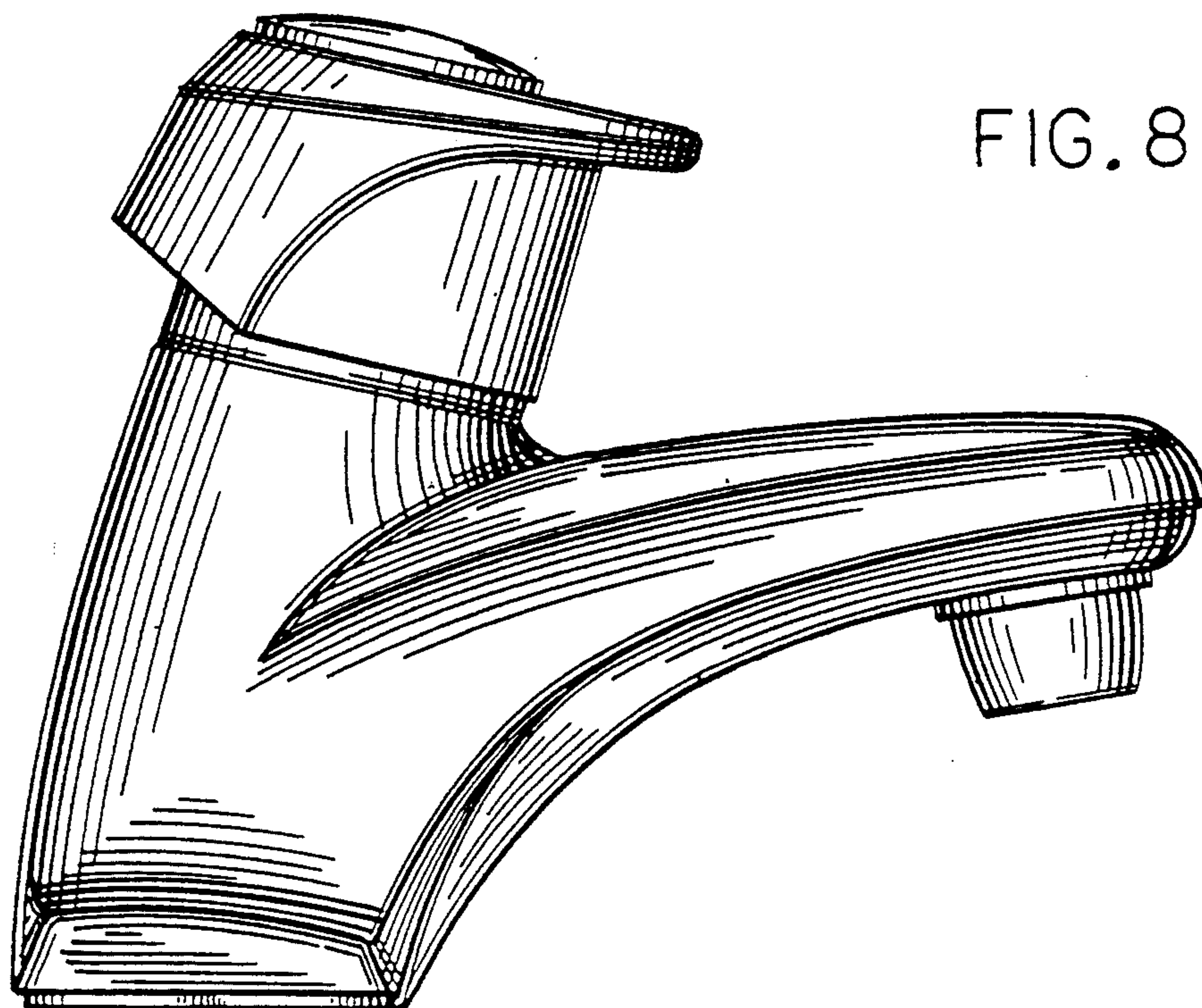


FIG. 8