



US00D349152S

United States Patent [19]

[11] Patent Number: **Des. 349,152**

Hayes

[45] Date of Patent: **** Jul. 26, 1994**

[54] **HOSE CONNECTABLE INGROUND POP-UP SPRINKLER**

2,989,246	6/1959	Sloane	239/201
3,272,436	6/1966	Hunter	239/204
3,684,179	8/1972	Fischer et al.	239/203

[75] Inventor: **Ronald G. Hayes**, Milford, Ohio

Primary Examiner—Wallace R. Burke
Assistant Examiner—Robin V. Taylor
Attorney, Agent, or Firm—Cushman, Darby, & Cushman

[73] Assignee: **L. R. Nelson Corporation**, Peoria, Ill.

[**] Term: **14 Years**

[57] **CLAIM**

[21] Appl. No.: **10,146**

The ornamental design for a hose connectable inground pop-up sprinkler, as shown and described.

[22] Filed: **Jul. 1, 1993**

[52] U.S. Cl. **D23/214**

DESCRIPTION

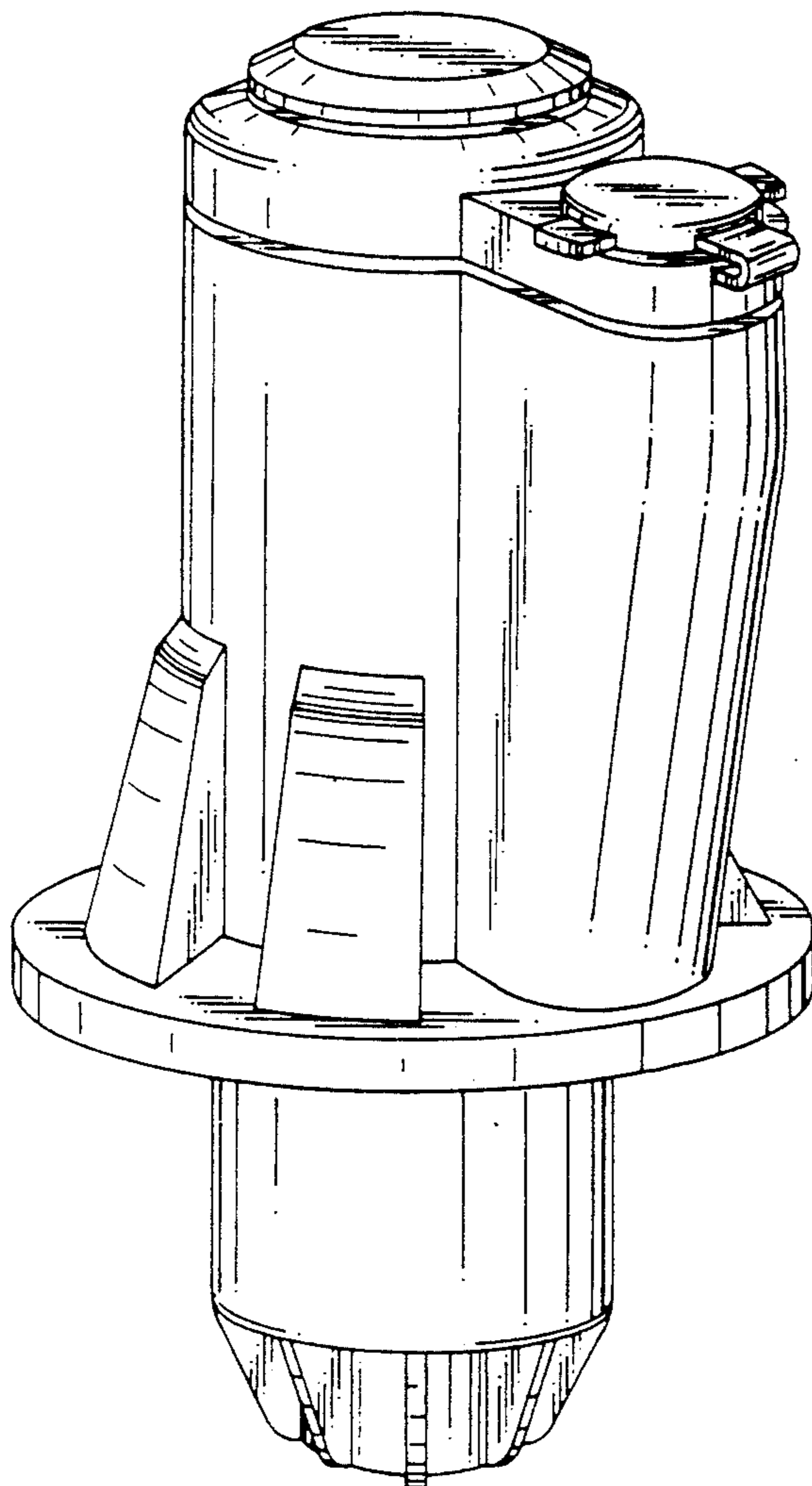
[58] **Field of Search** 239/200-206,
239/222.11-222.21, 230-233, 273, 275-276,
288, 288.3, 288.5, 443-444, 456, 550-552,
556-558; D23/214-221

FIG. 1 is a perspective view illustrating the top, left side, and front of a hose connectable inground pop-up sprinkler showing my new design;
FIG. 2 is a front elevational view thereof;
FIG. 3 is a rear elevational view thereof;
FIG. 4 is a left side elevational view thereof, the right side elevational view being a mirror image thereof;
FIG. 5 is a top plan view thereof; and,
FIG. 6 is a bottom plan view thereof.

[56] **References Cited**

U.S. PATENT DOCUMENTS

D. 275,313	8/1984	Clivio et al.	D23/218
D. 294,730	3/1988	Karbo	D23/218



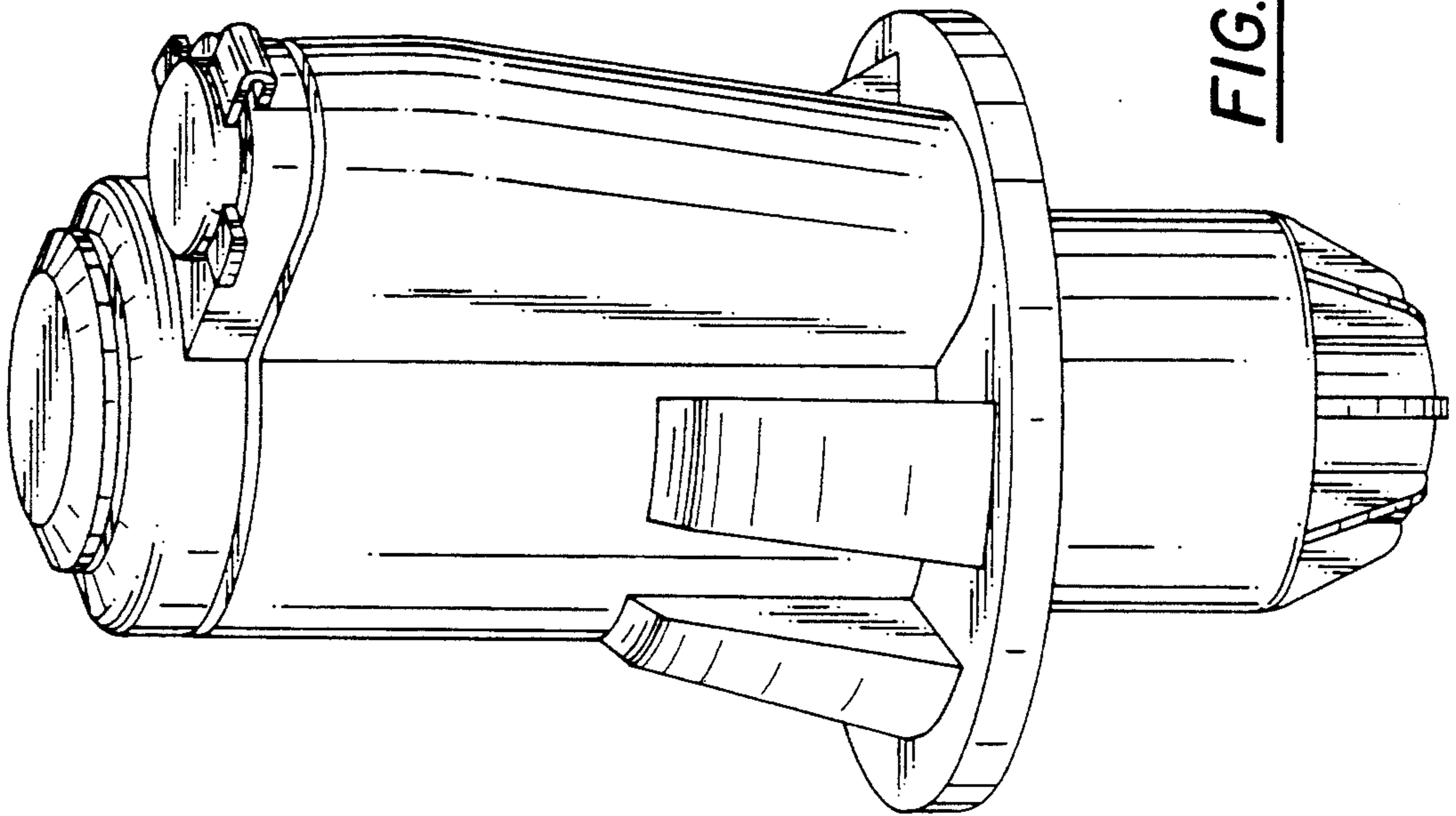


FIG. 1

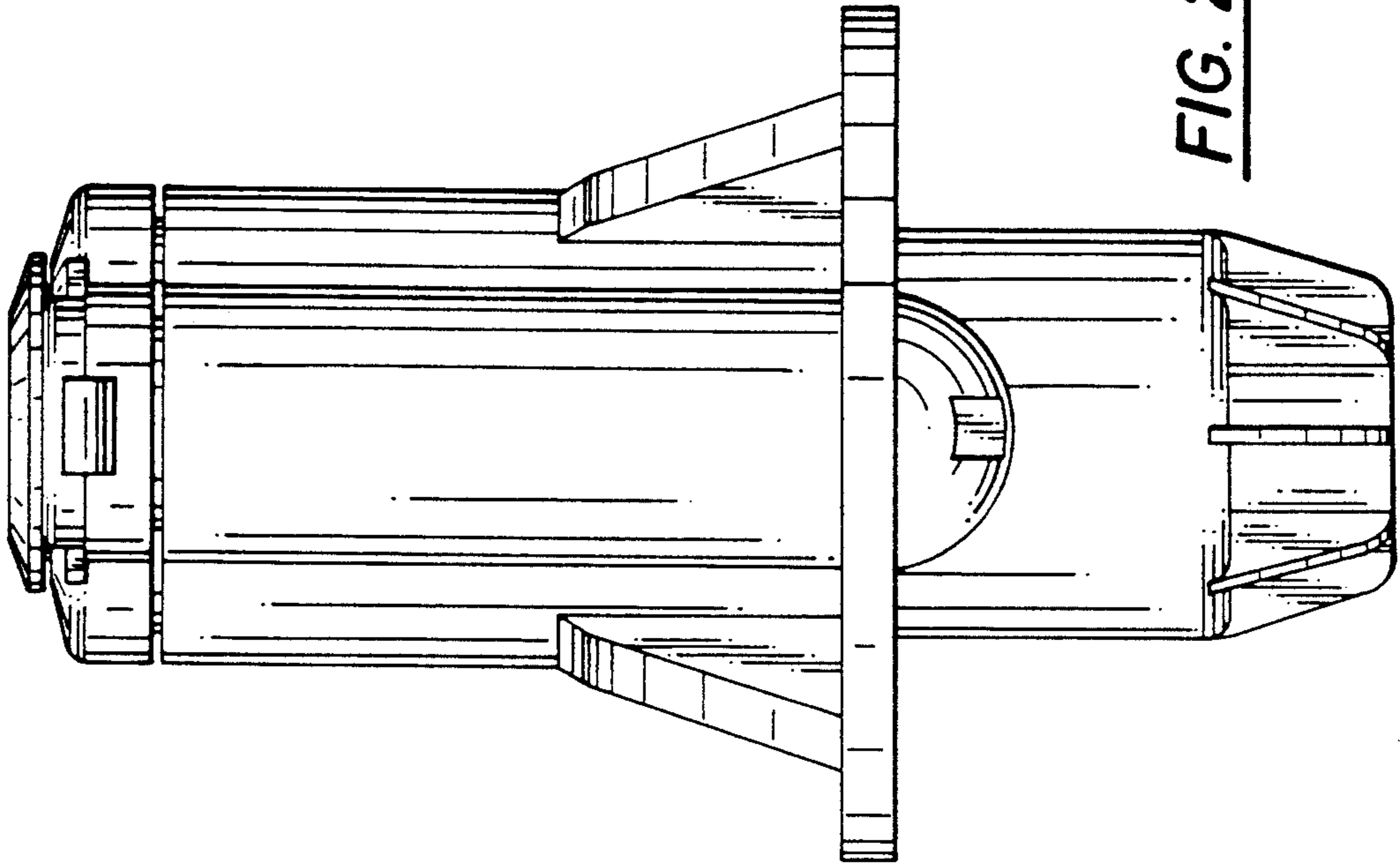


FIG. 2

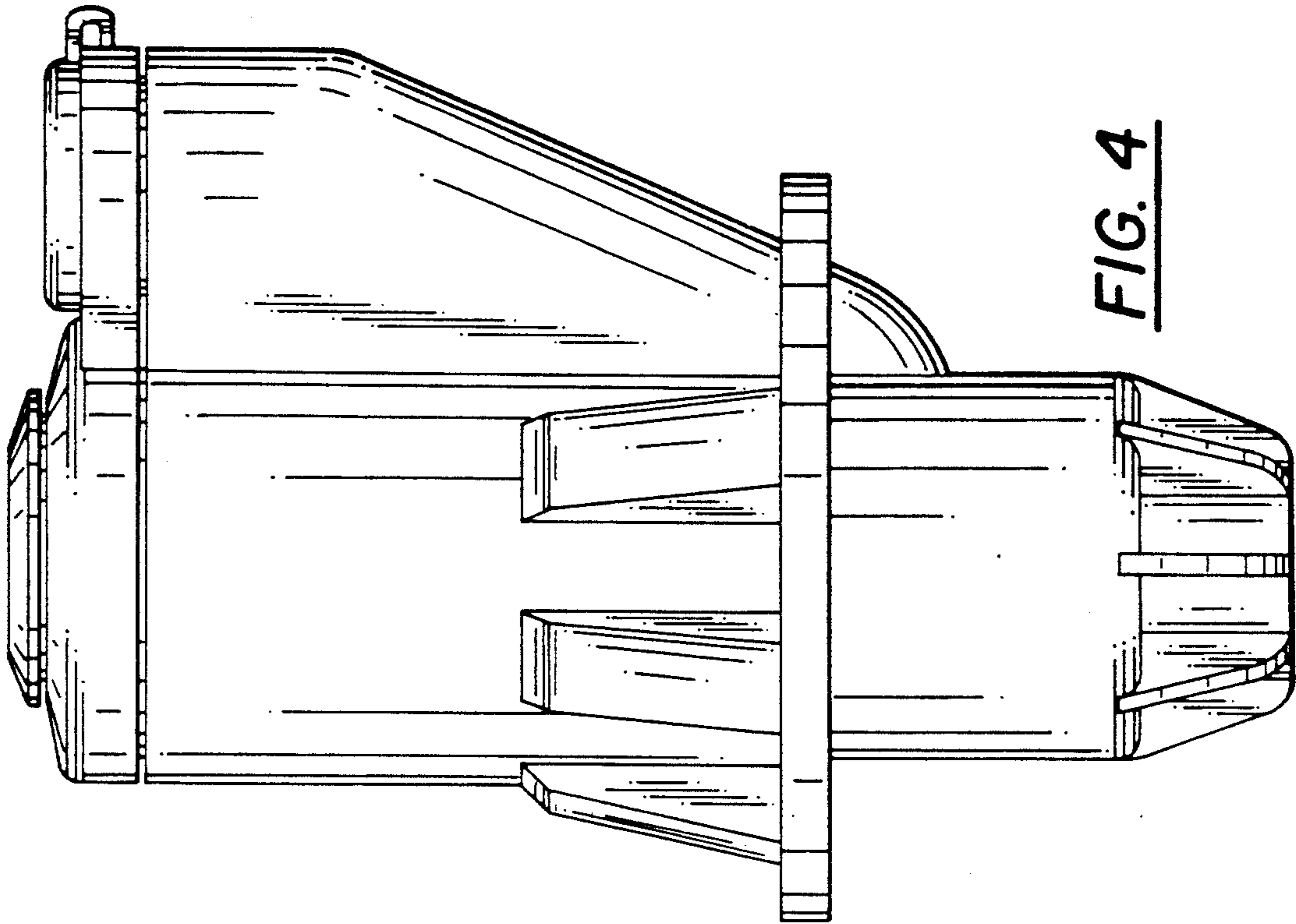


FIG. 4

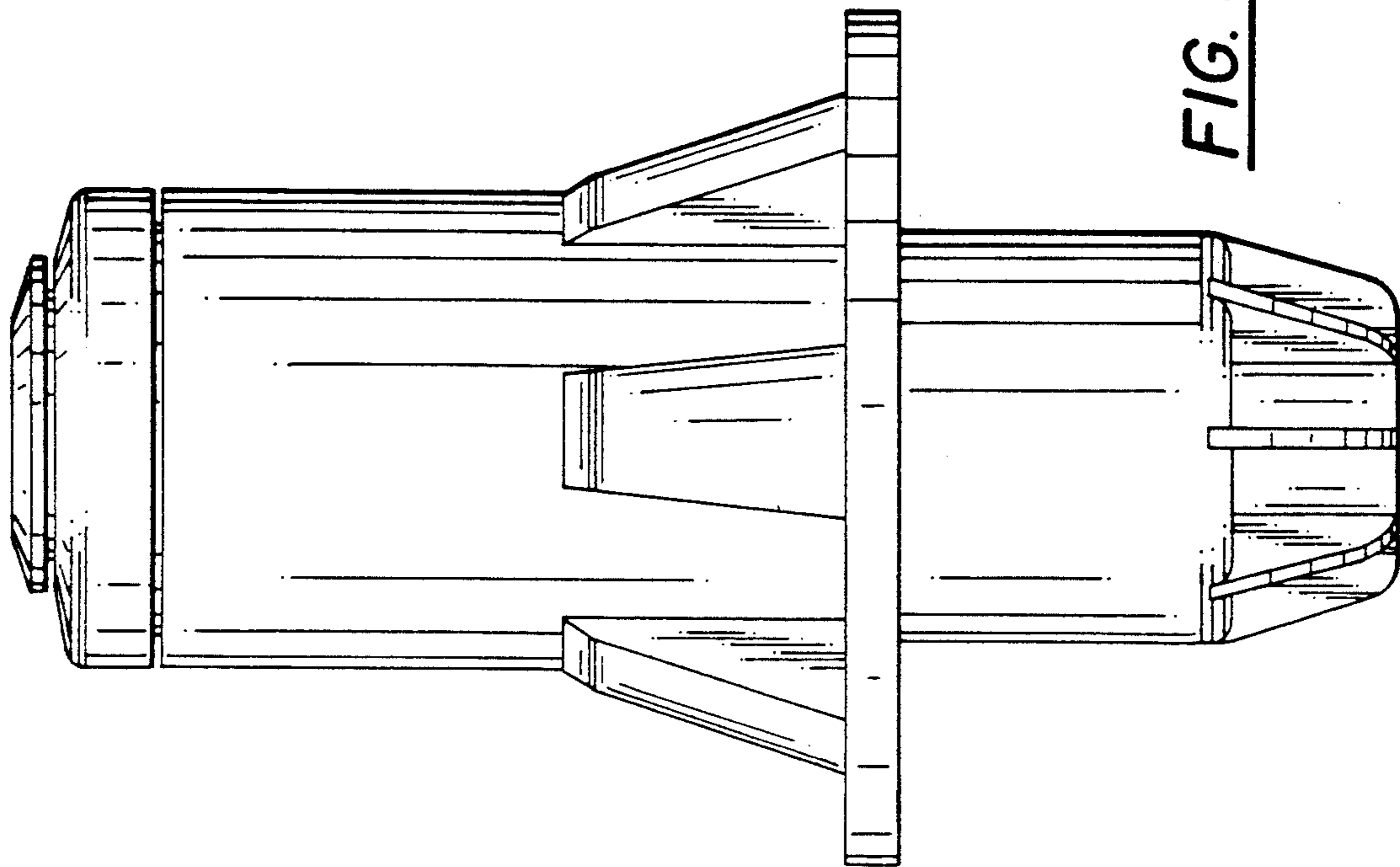


FIG. 3

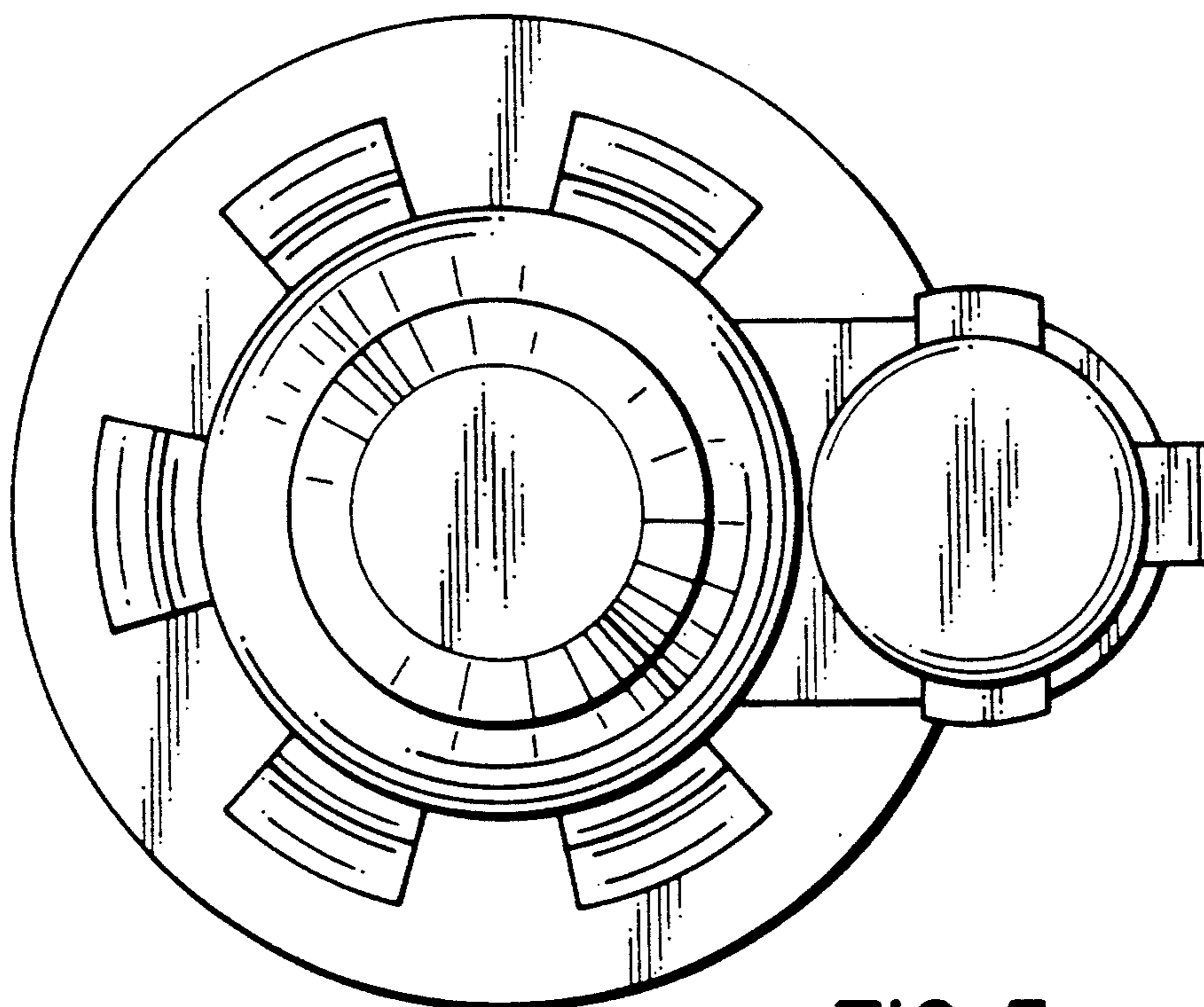


FIG. 5

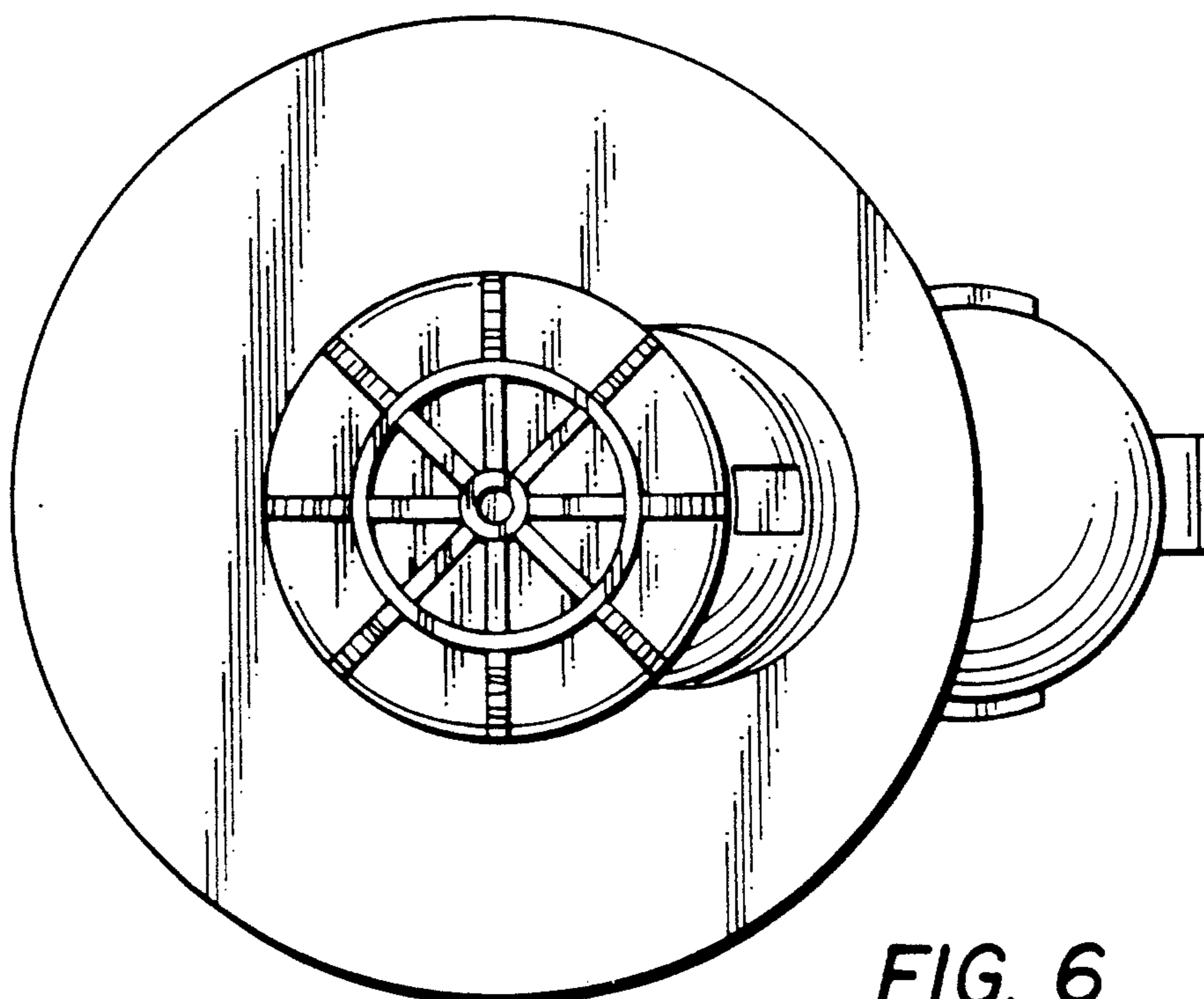


FIG. 6