



US00D349150S

United States Patent [19]

[11] Patent Number: **Des. 349,150**

Garrigos Ruiz

[45] Date of Patent: **** Jul. 26, 1994**

[54] **SWIMMING POOL FILTER**

4,454,035	6/1984	Stefan	D23/210 X
4,842,729	6/1989	Buchan	210/198.1
5,084,175	1/1992	Hoffmeier	210/416.2 X

[75] Inventor: **Robert Garrigos Ruiz**, Girona, Spain

[73] Assignee: **Doll, S.A.**, Spain

[**] Term: **14 Years**

[21] Appl. No.: **881,888**

[22] Filed: **May 12, 1992**

Primary Examiner—Wallace R. Burke
Assistant Examiner—M. H. Tung
Attorney, Agent, or Firm—Steinberg, Raskin & Davidson

[30] **Foreign Application Priority Data**

Nov. 14, 1991 [ES] Spain 126.375

[52] U.S. Cl. **D23/209**

[58] **Field of Search** 210/97, 198.1, 205-206, 210/231, 244-246, 257.1-257.2, 258, 260-261, 275, 282, 287-290, 295, 321.6, 321.78, 348, 416.3, 416.2, 443-449; D23/207-210

[57] **CLAIM**

The ornamental design for a swimming pool filter, as shown and described.

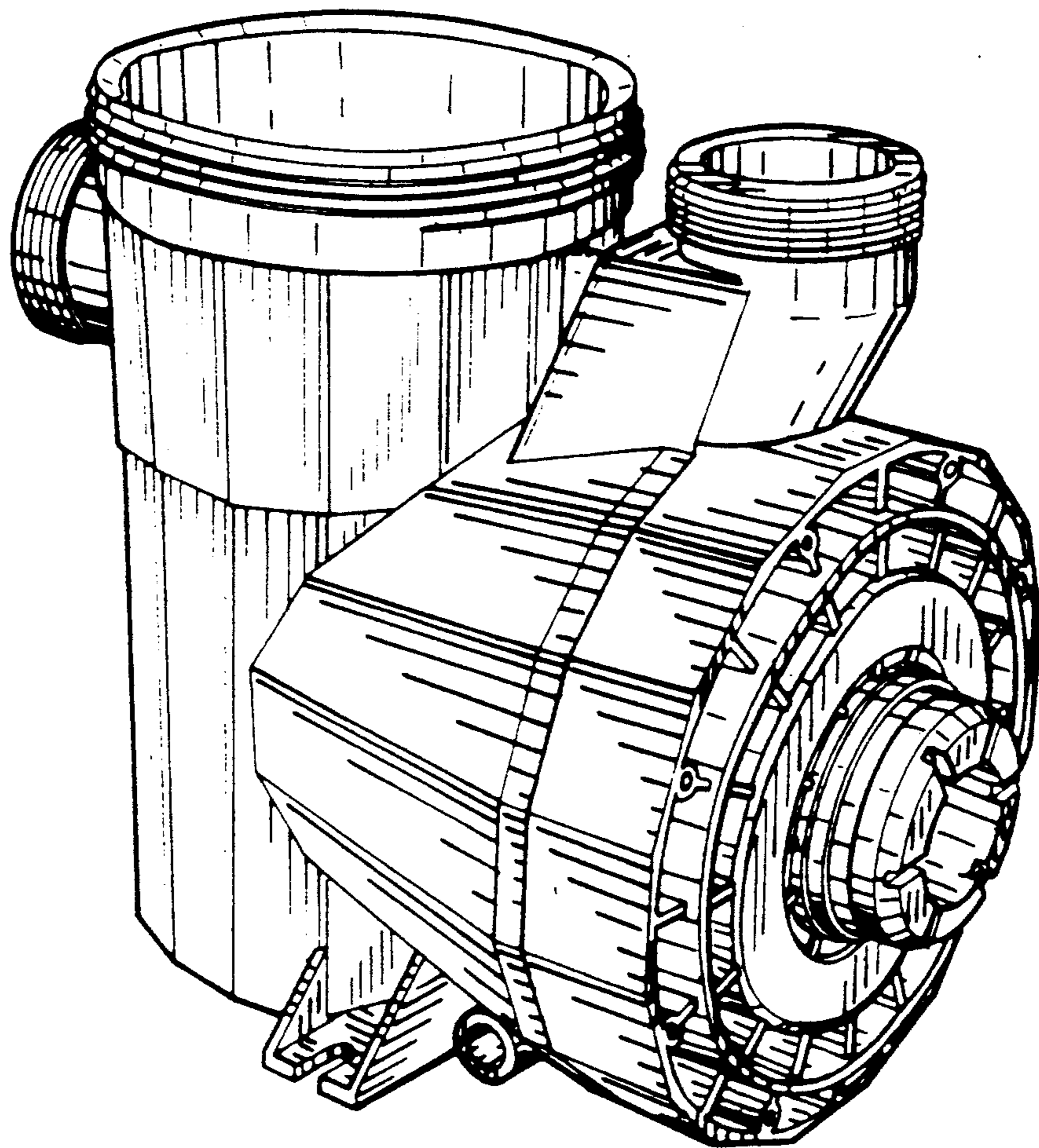
[56] **References Cited**

U.S. PATENT DOCUMENTS

3,368,683 2/1968 Rar 210/198.1 X

DESCRIPTION

FIG. 1 is a top perspective view of a swimming pool filter showing my new design;
FIG. 2 is a top plan view thereof;
FIG. 3 is a side elevation view thereof, the opposite side is a mirror image;
FIG. 4 is a front elevation view thereof;
FIG. 5 is a rear elevation view thereof; and,
FIG. 6 is a bottom plan view thereof.



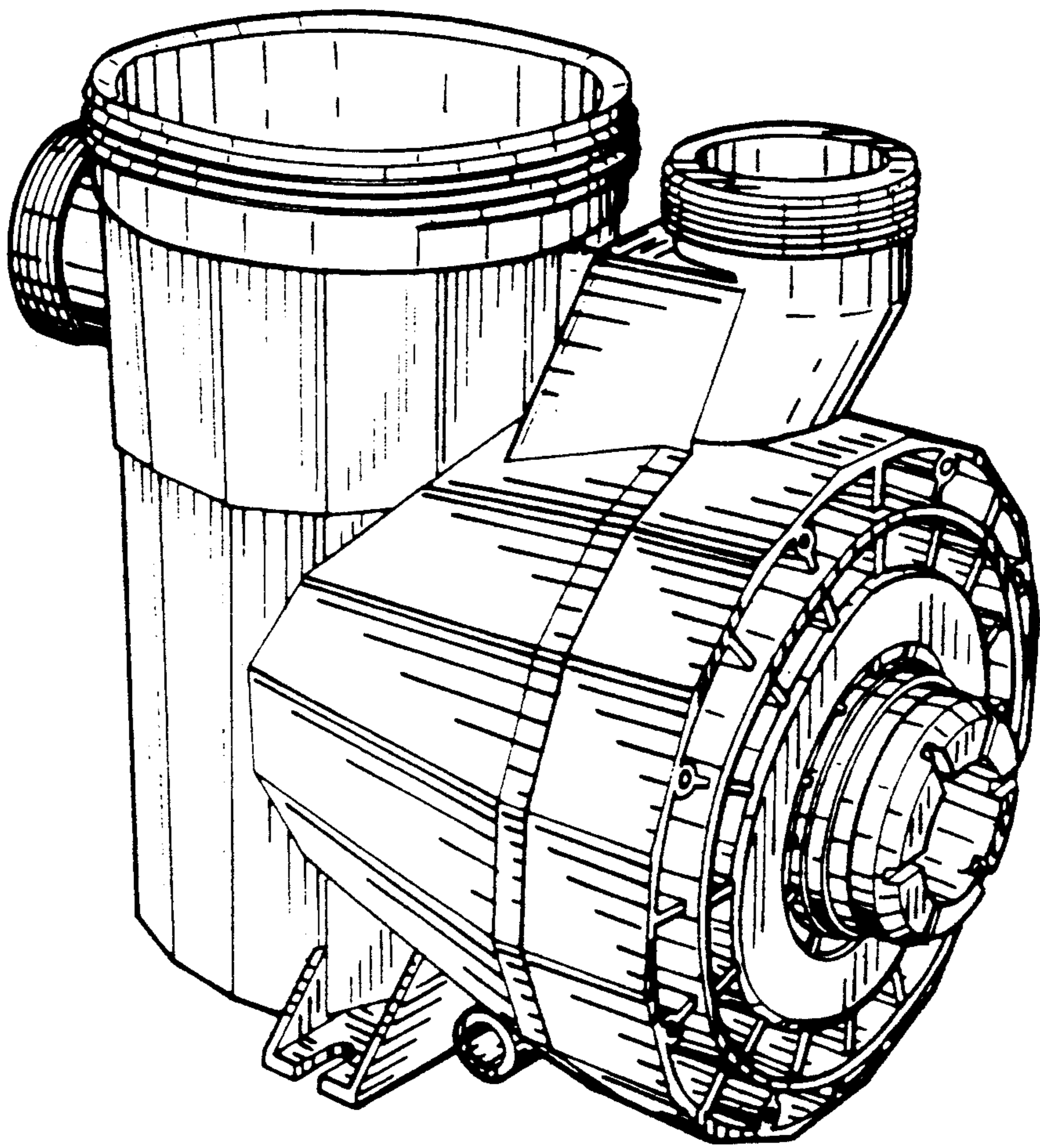


Fig. 1

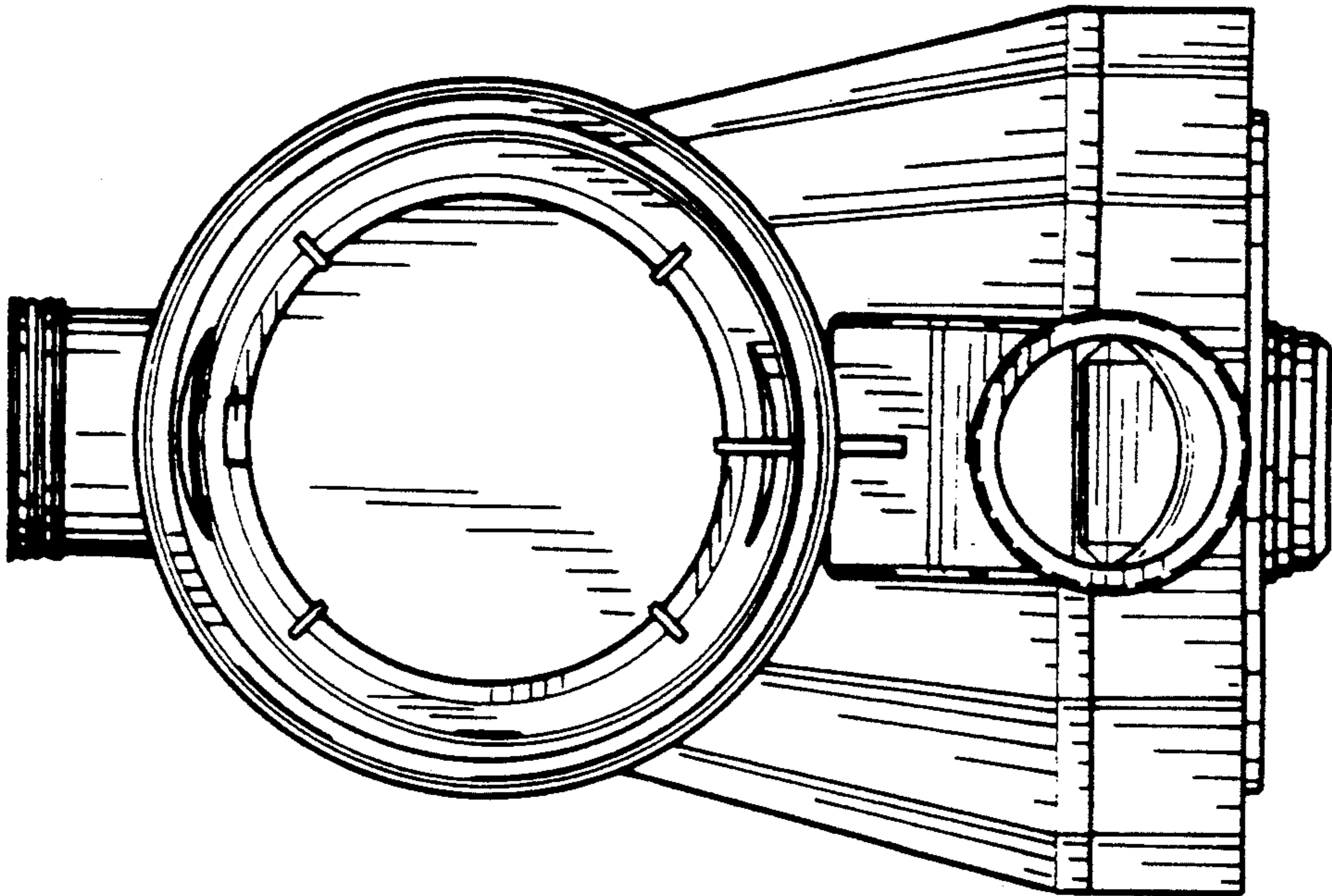


Fig. 2

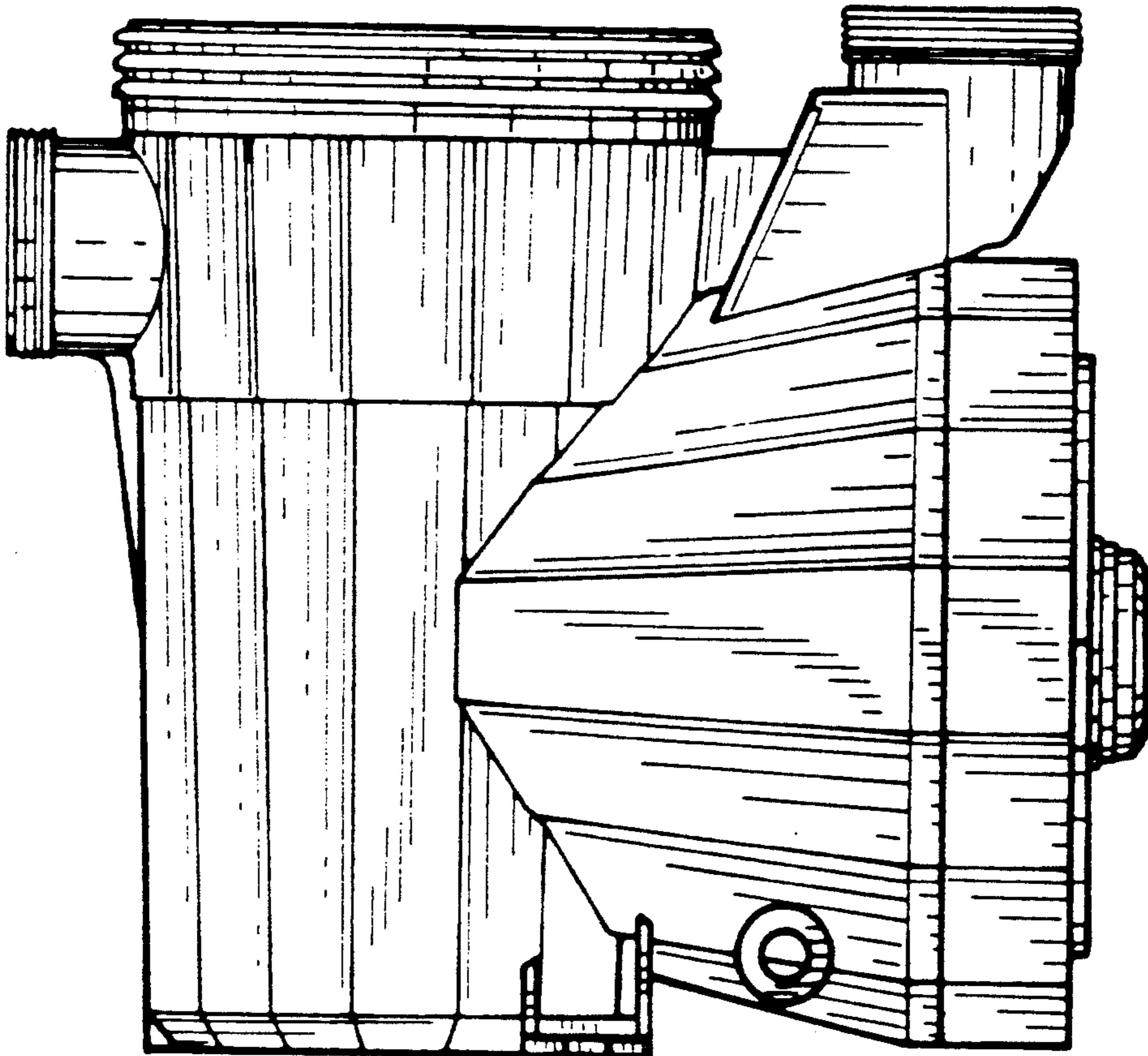


Fig. 3

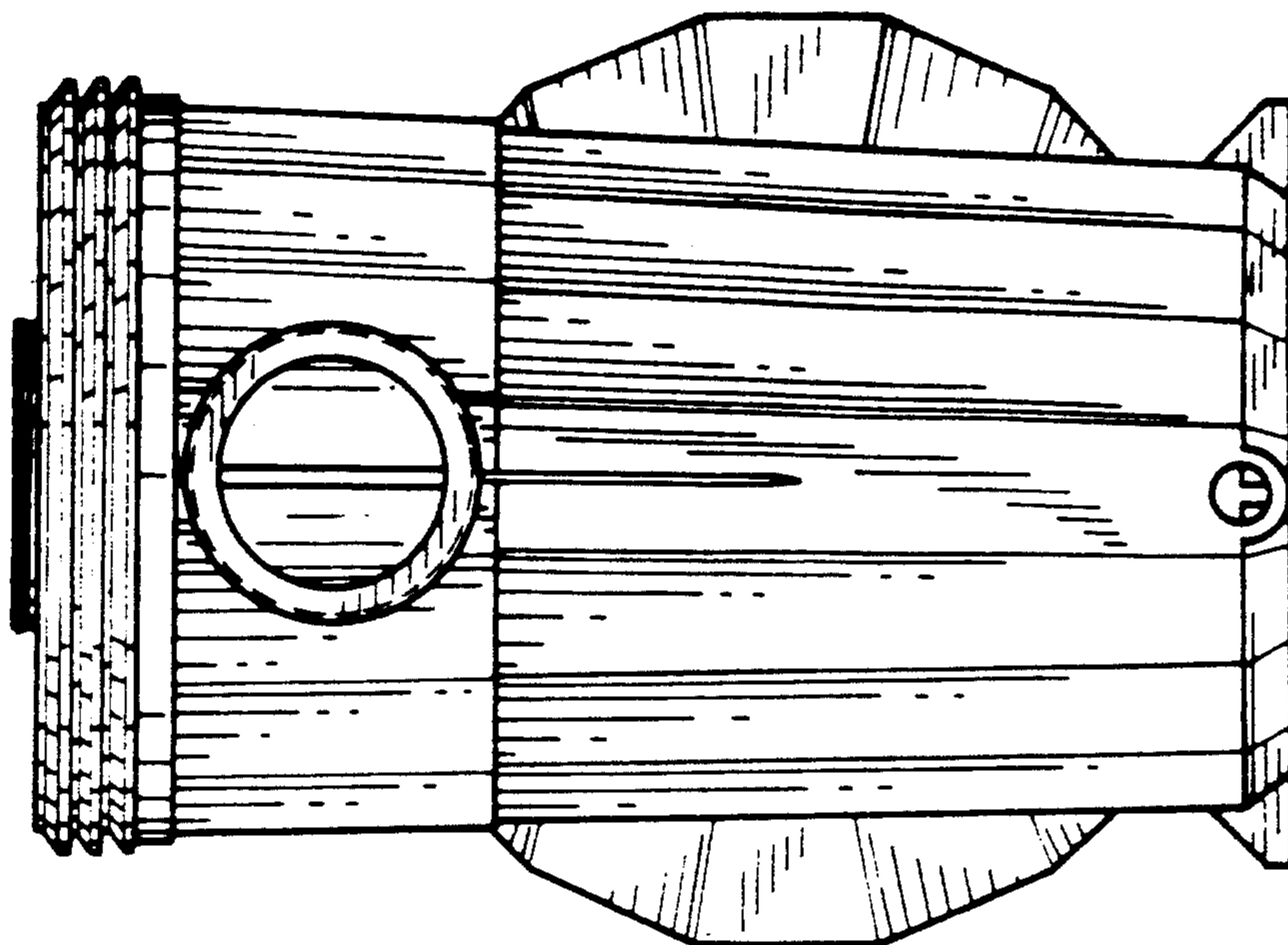


Fig. 5

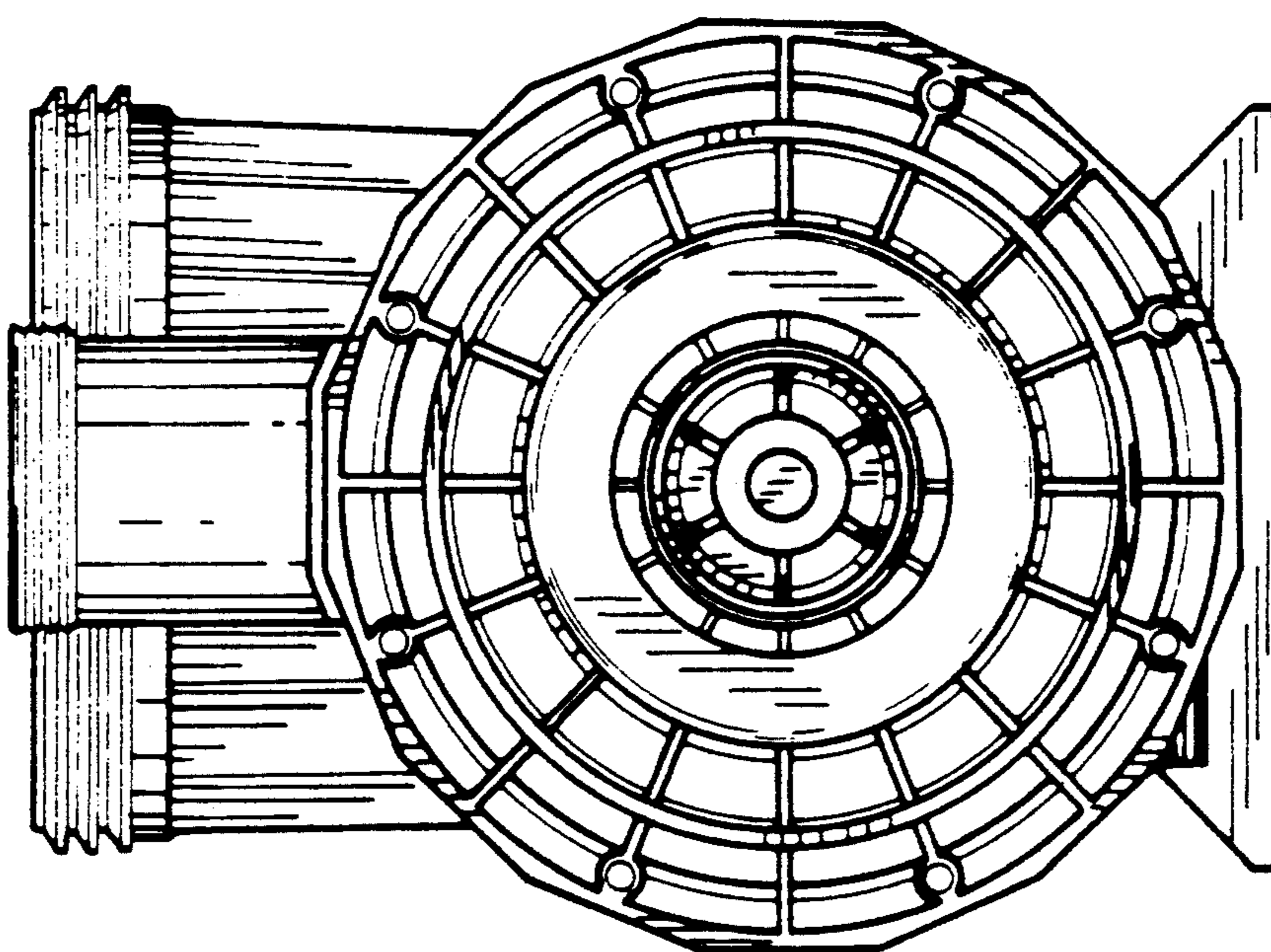


Fig. 4

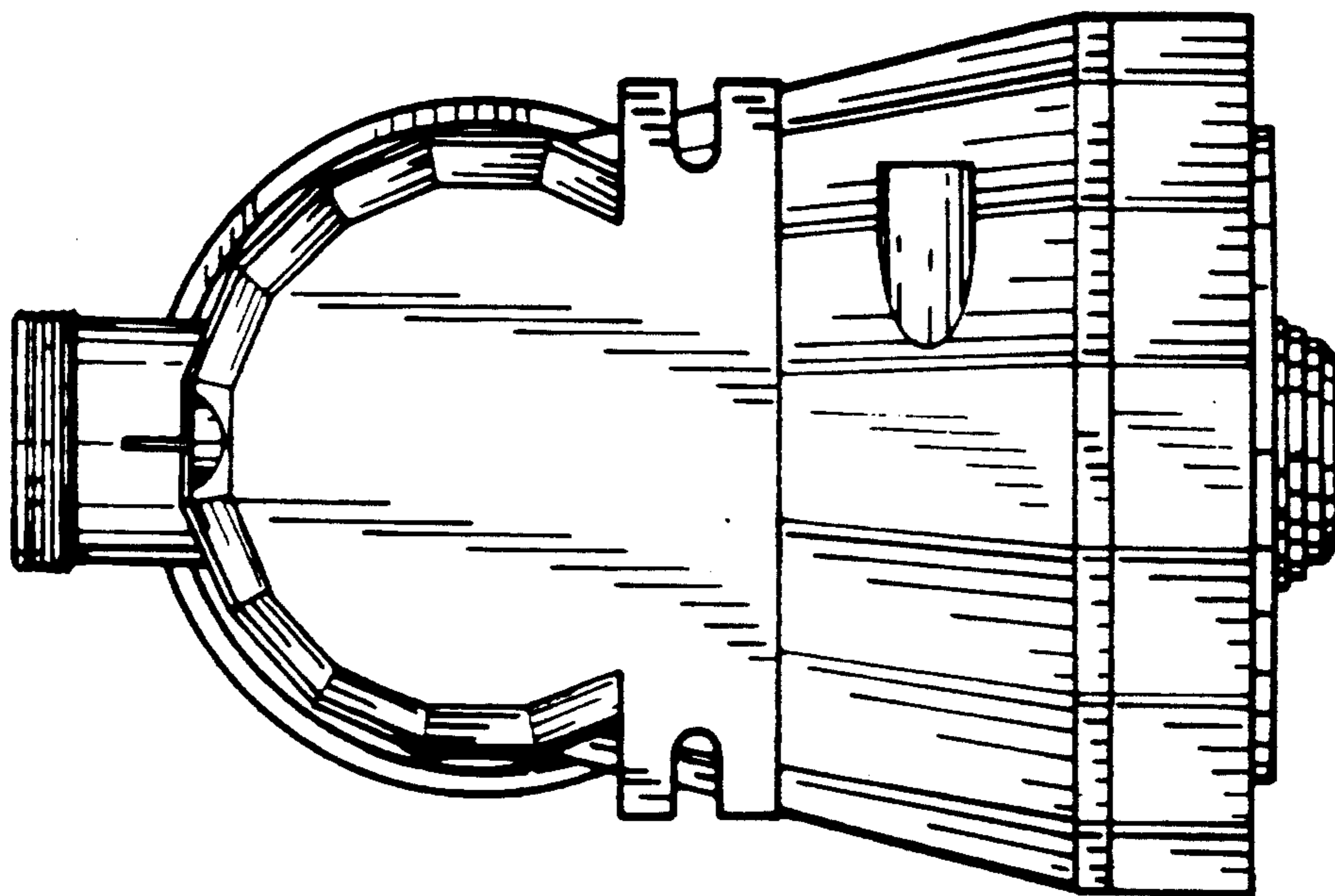


Fig. 6